

United States Patent [19]

Pugnat et al.

[11] Patent Number: Des. 317,492

[45] Date of Patent: ** Jun. 11, 1991

[54] SKI POLE

[75] Inventors: Patricia Pugnat, Sallanches; Claude Fougrousse, Annecy, both of France

[73] Assignee: Sports Booster, Le Fayet, France

[**] Term: 14 Years

[21] Appl. No.: 170,291

[22] Filed: Mar. 18, 1988

[30] Foreign Application Priority Data

Sep. 28, 1987 [FR] France 875629

[52] U.S. Cl. D21/229; D21/230

[58] Field of Search D21/230, 229, 221, 222; 280/819, 821, 823, 824, 820, 816

[56] References Cited

U.S. PATENT DOCUMENTS

- D. 279,026 5/1985 Nordgren et al. D21/230
- D. 290,865 7/1987 Rustad D21/230
- 3,879,048 4/1975 Penney D21/230

- 4,244,220 1/1981 Henson et al. D21/230
- 4,775,168 10/1988 Dalebout 280/821
- 4,790,562 12/1988 Skard D21/230

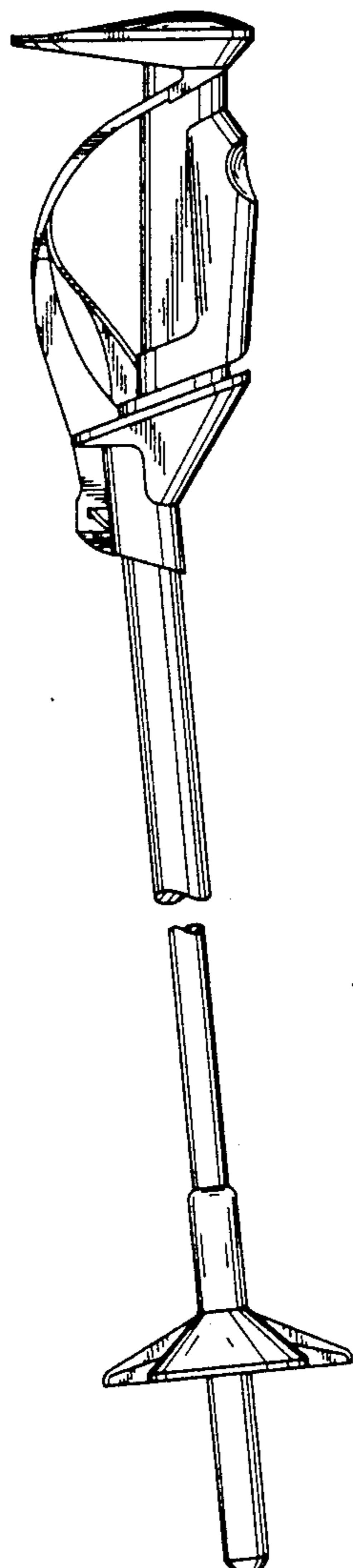
Primary Examiner—Kay H. Chin
Attorney, Agent, or Firm—Roland Plottel

[57] CLAIM

The ornamental design for a ski pole, as shown and described.

DESCRIPTION

FIG. 1 is a right side elevational view of the handle for ski pole showing our new design, the pole has been omitted for convenience of illustration;
 FIG. 2 is a front elevational view of FIG. 1;
 FIG. 3 is a left side elevational view of FIG. 1;
 FIG. 4 is a rear elevational view of FIG. 1;
 FIG. 5 is a top plan view of FIG. 1;
 FIG. 6 is a bottom plan view of FIG. 1; and
 FIG. 7 is a right side elevational views of the ski pole, a portion of the pole is shown broken away to indicate indeterminate length.



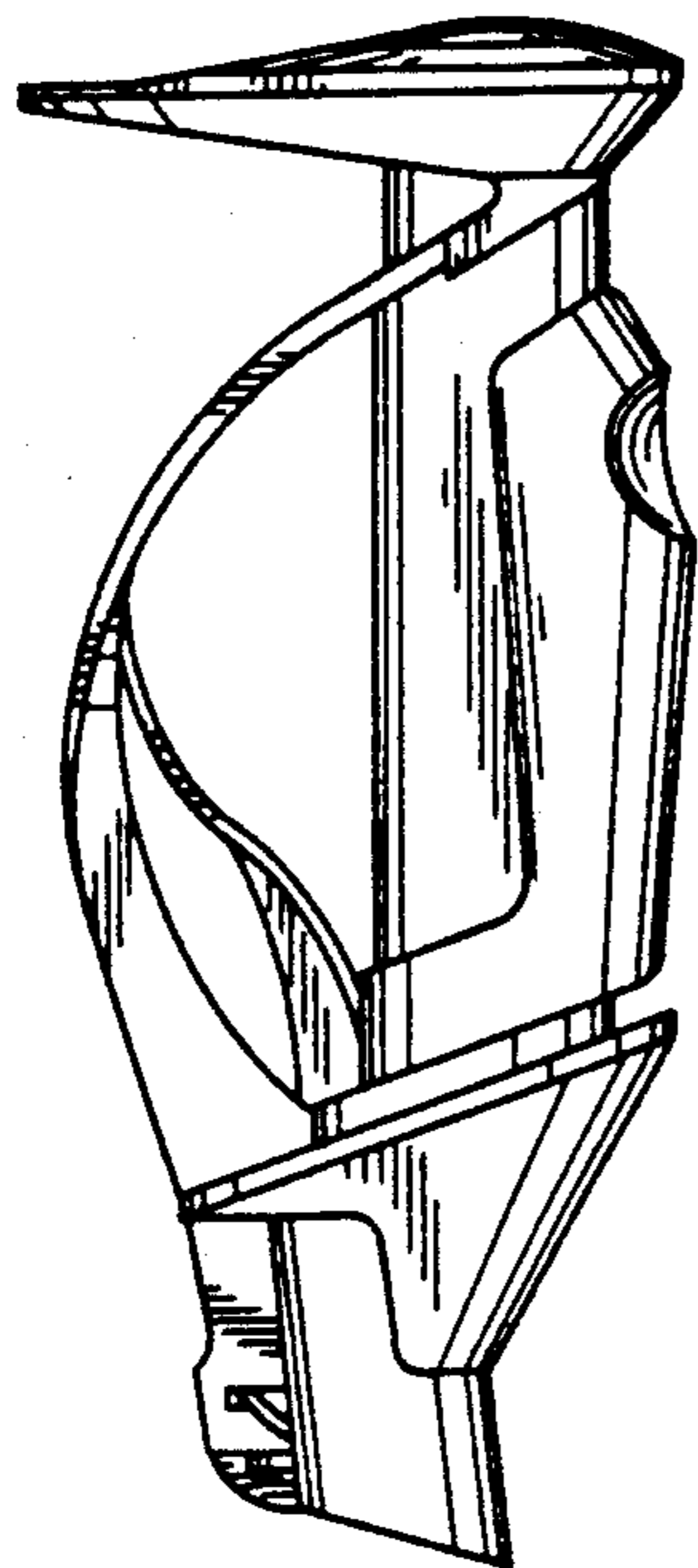


FIG. 1

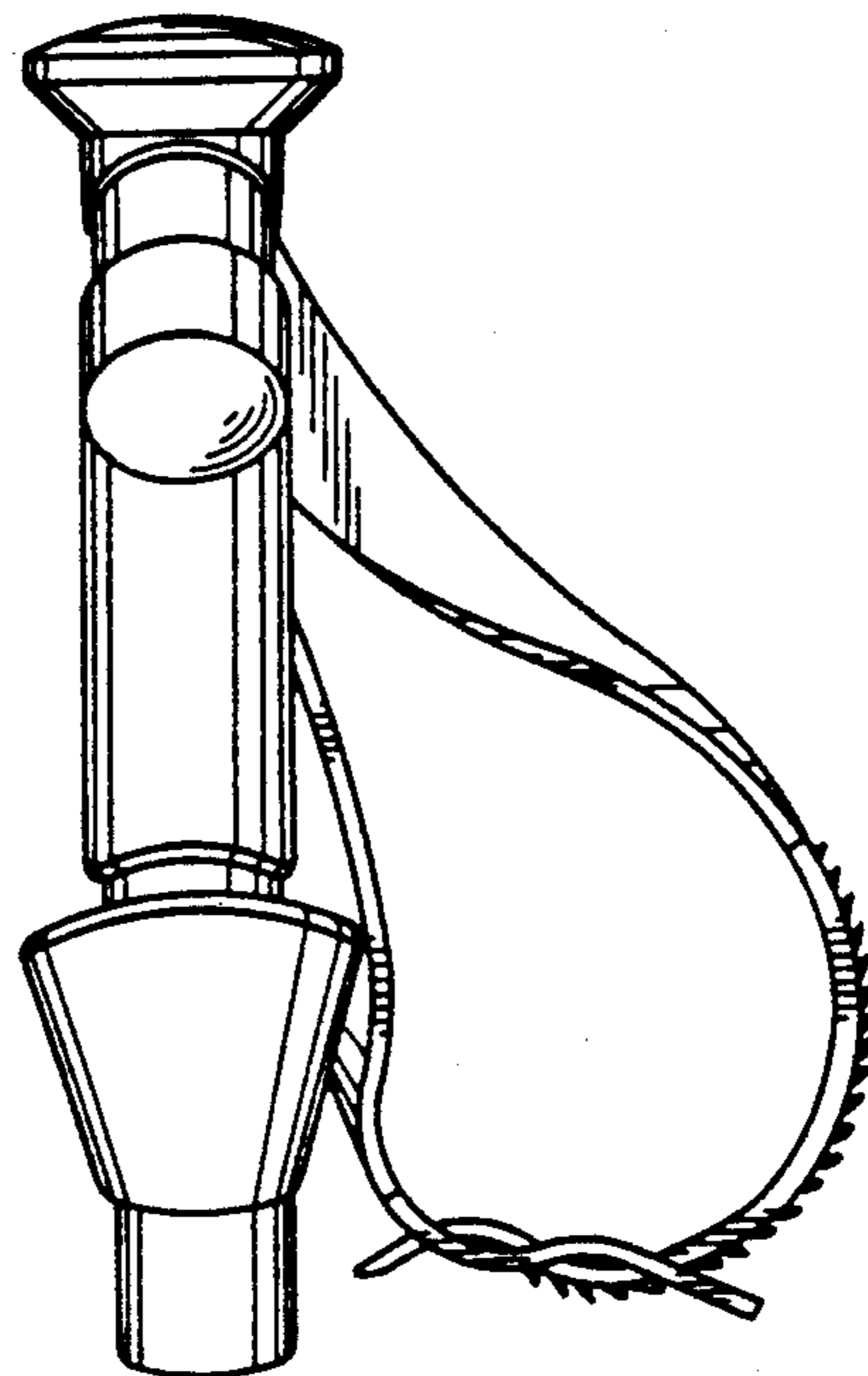


FIG. 2

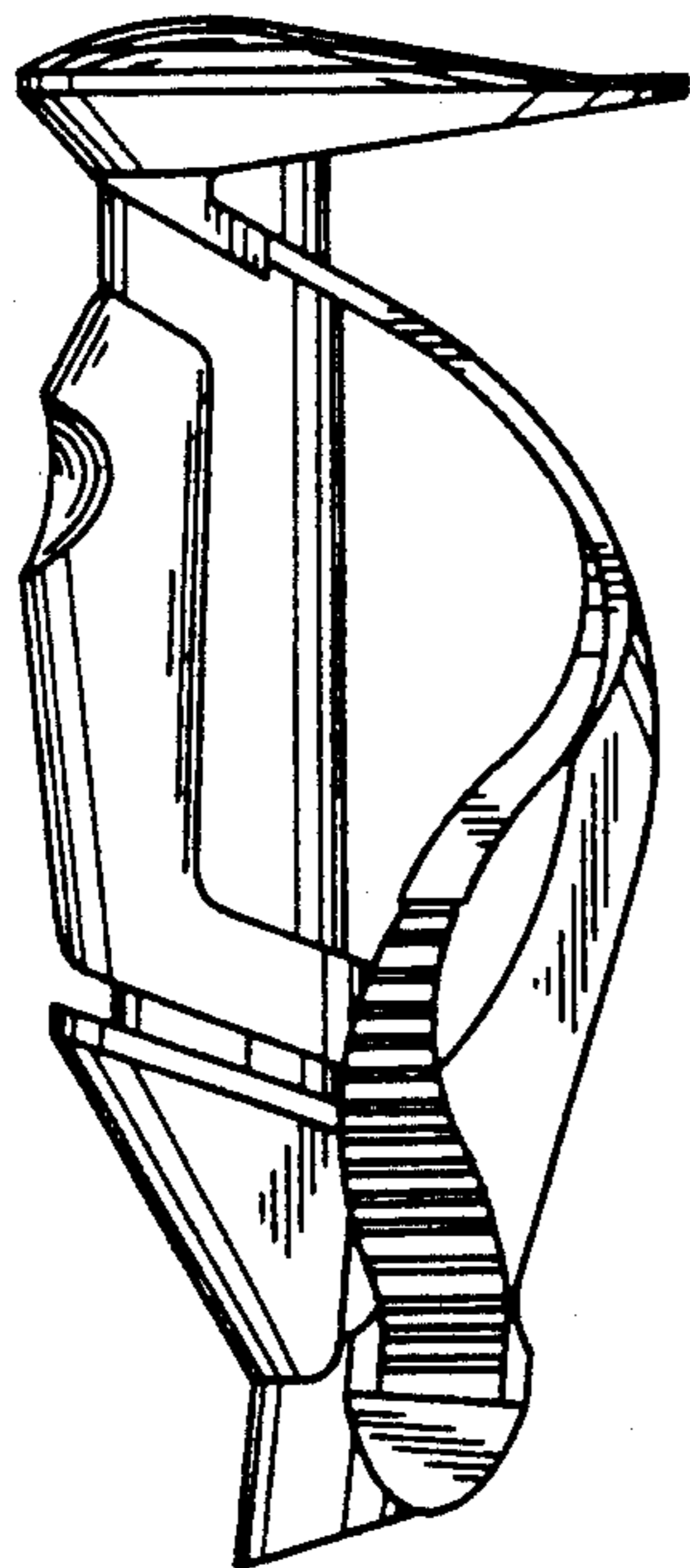


FIG. 3

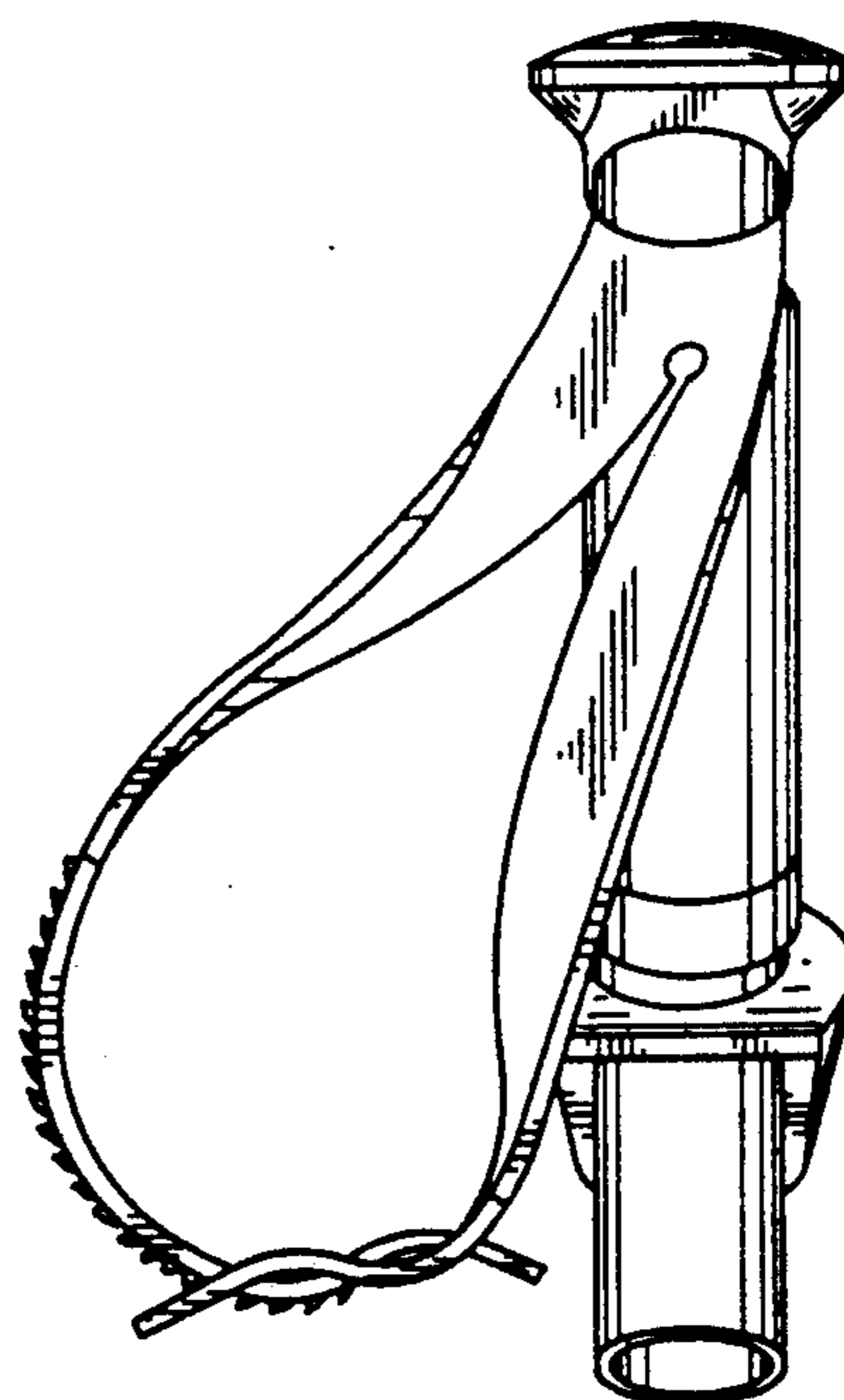


FIG. 4

FIG. 5

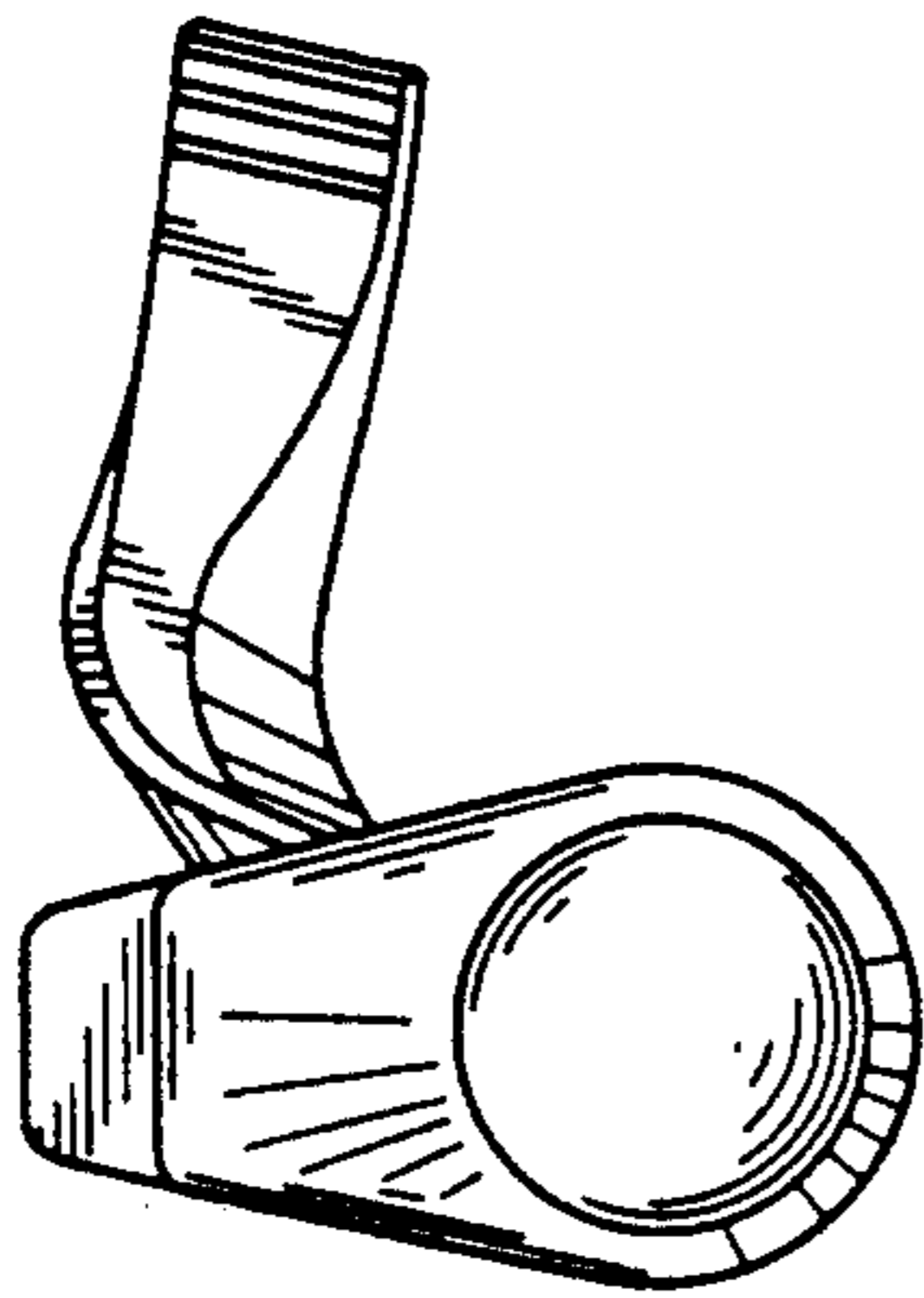


FIG. 6

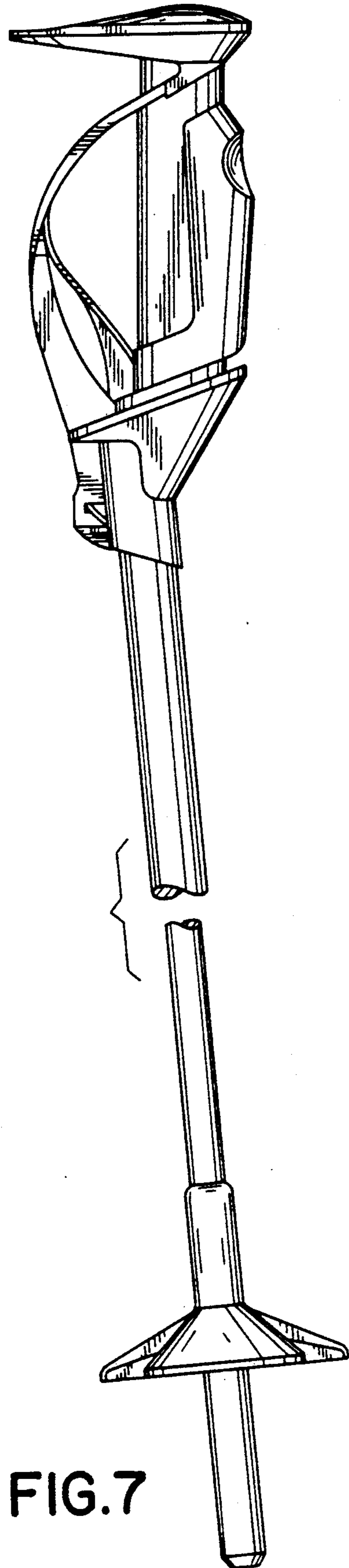
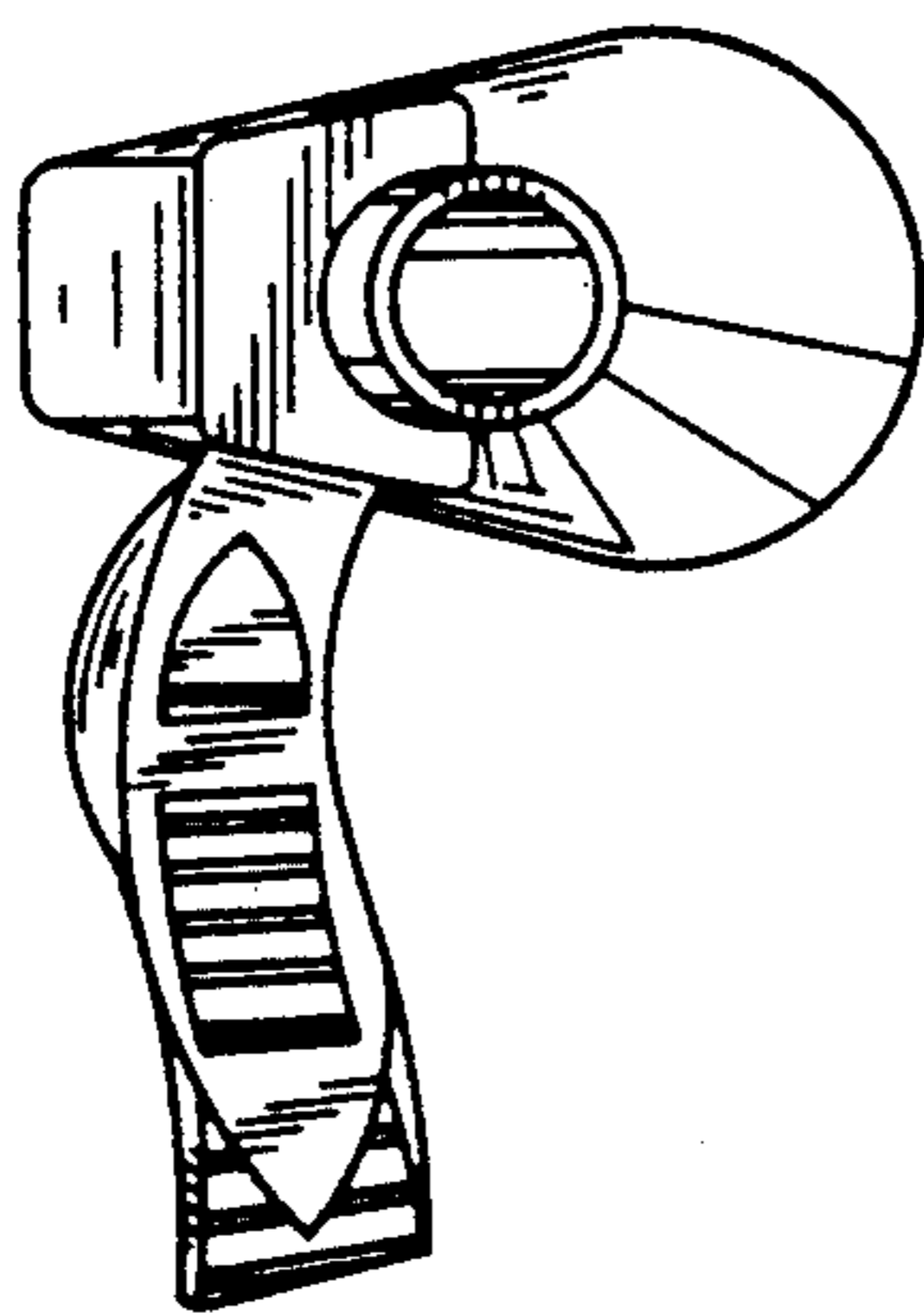


FIG. 7