

[54] GOLF CLUB HEAD

[76] Inventor: David T. Pelz, 436 Seawind, Austin, Tex. 78746

[**] Term: 14 Years

[21] Appl. No.: 225,153

[22] Filed: Jul. 22, 1988

[52] U.S. Cl. D21/219

[58] Field of Search D21/214-220; 273/167-175, 163 R, 164

[56] References Cited

U.S. PATENT DOCUMENTS

D. 244,303 5/1977 Cabot D21/219

OTHER PUBLICATIONS

Golf Digest, Apr. 1987, p. 108, Illustration A, Wilson Golf Club Head.

Primary Examiner—Melvin B. Feifer
Attorney, Agent, or Firm—N. J. Aquilino

[57] CLAIM

The ornamental design for a golf club head, as shown and described.

DESCRIPTION

FIG. 1 is a perspective view of the golf club head showing my new design;

FIG. 2 is a front elevational view thereof;

FIG. 3 is a side elevational view thereof;

FIG. 4 is a rear elevational view thereof;

FIG. 5 is a side elevational view taken from the opposite side of FIG. 3;

FIG. 6 is a top plan view thereof.

FIG. 7 is a bottom view thereof.

The broken line showing of a fragmented shaft is for illustrative purposes only.

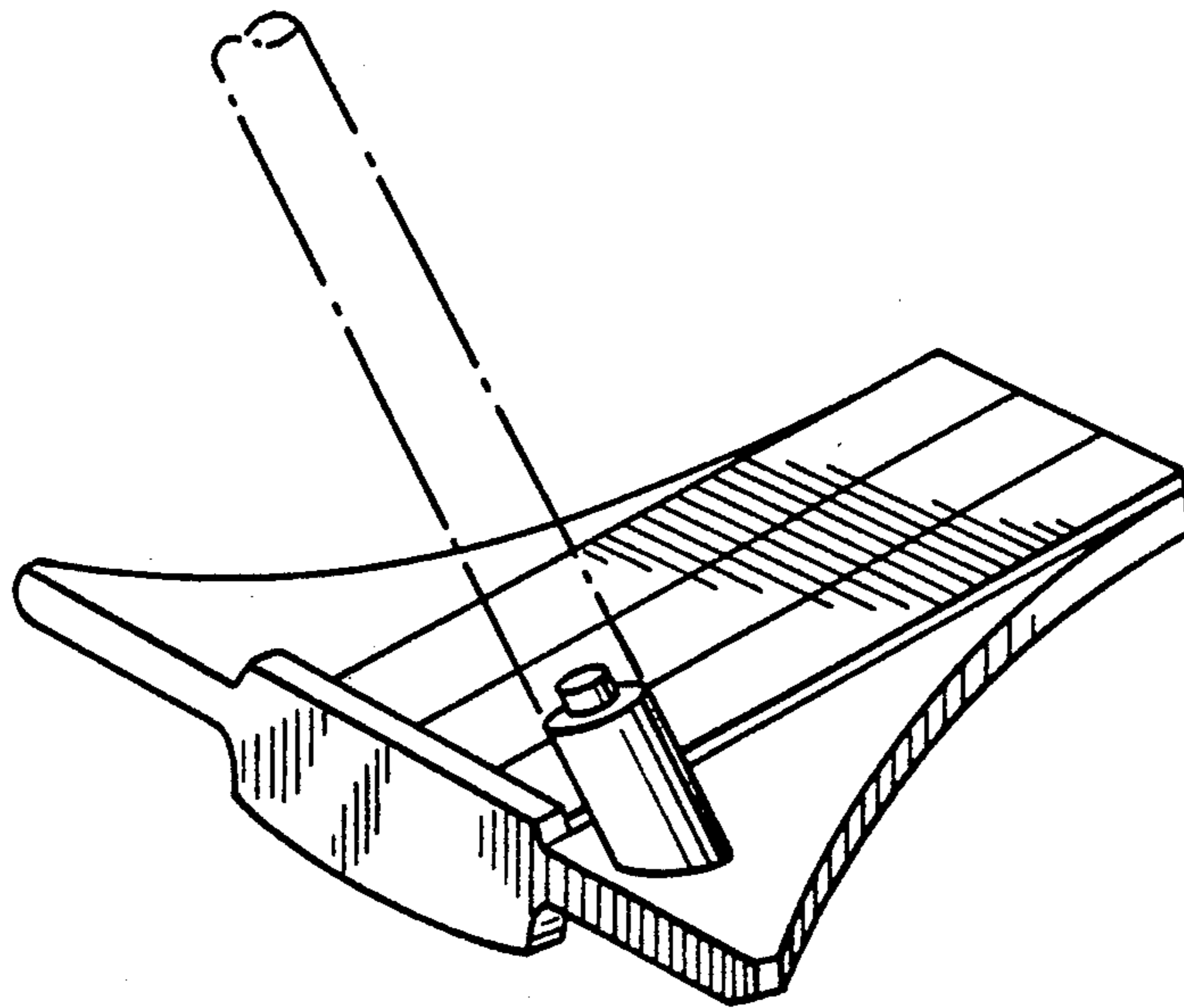


FIG. 1

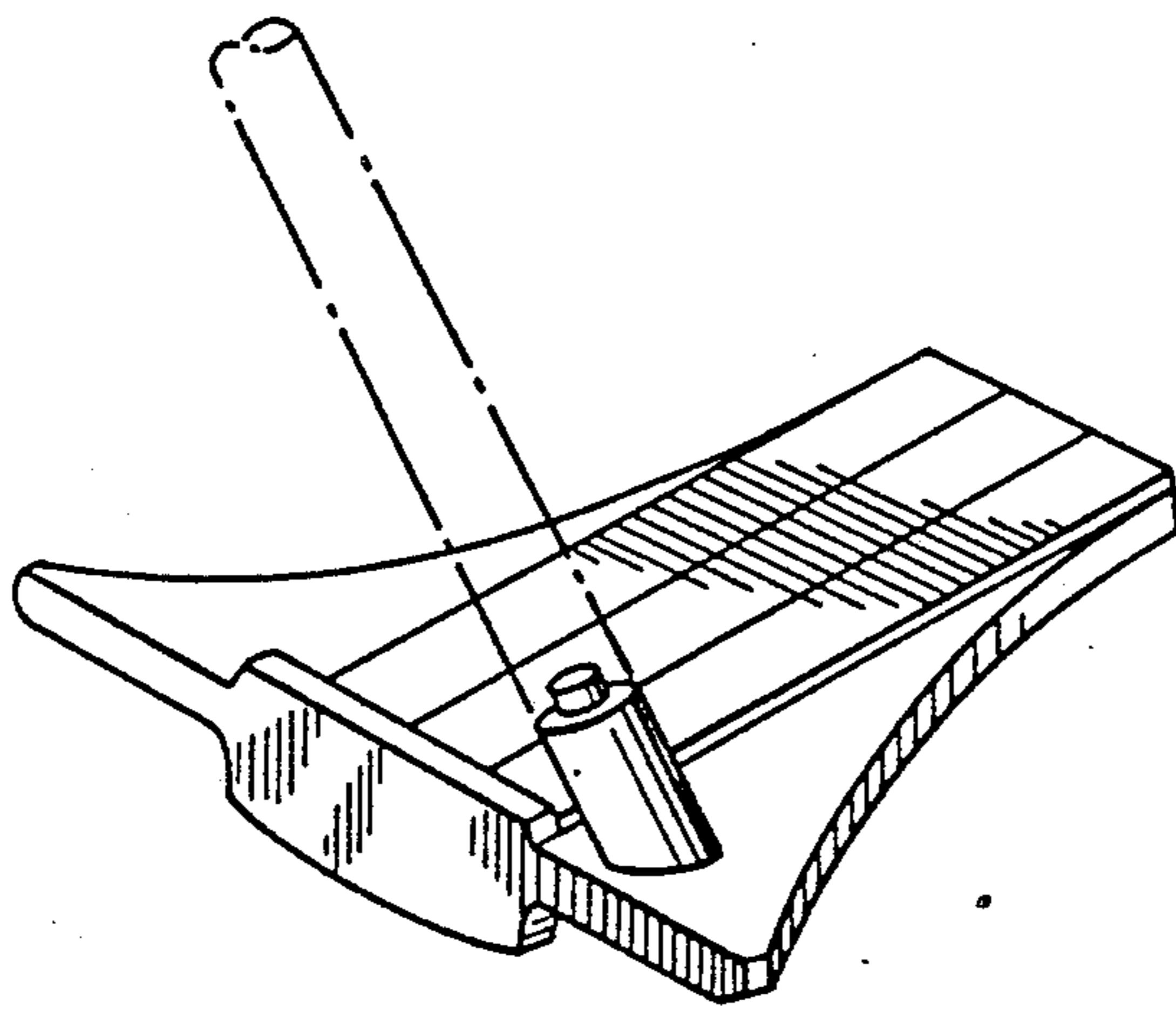


FIG. 2

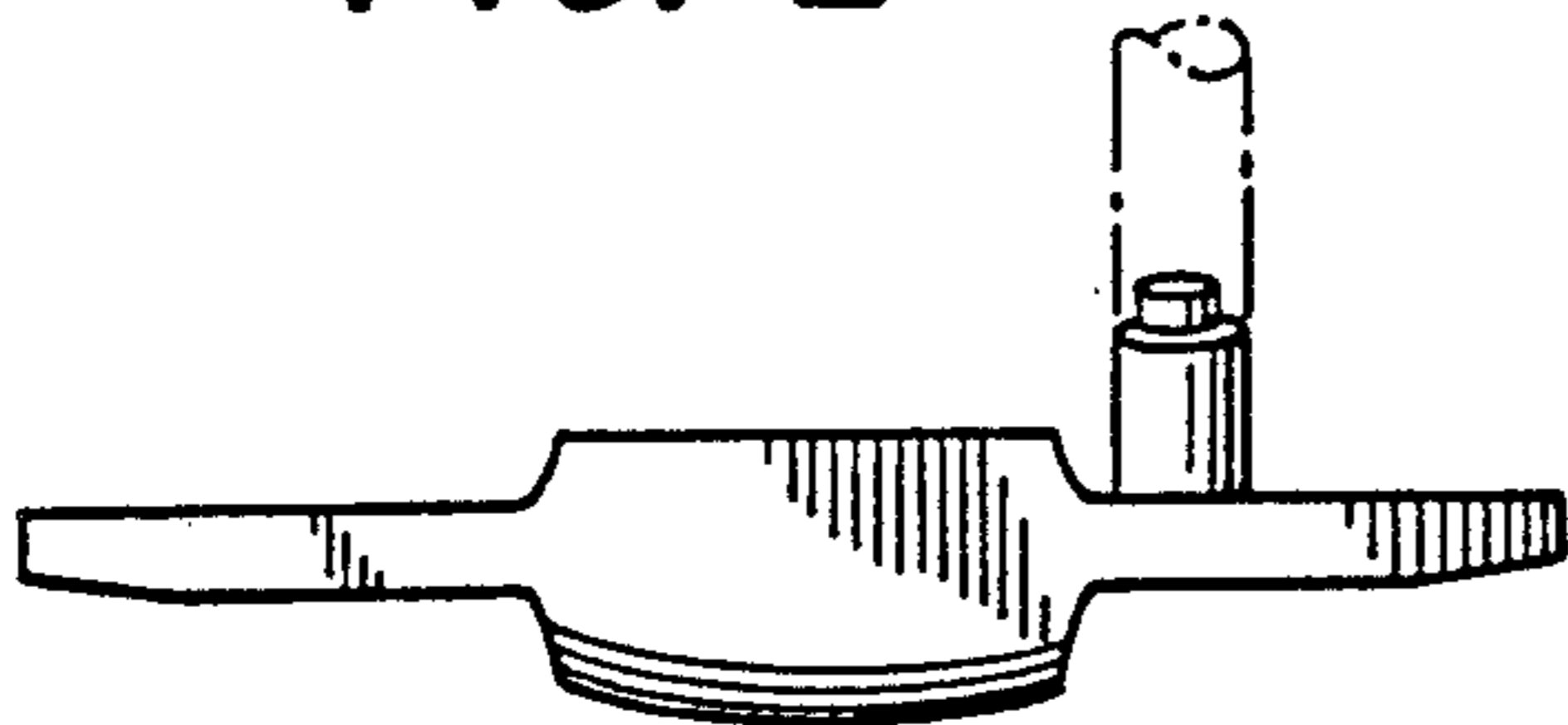


FIG. 3

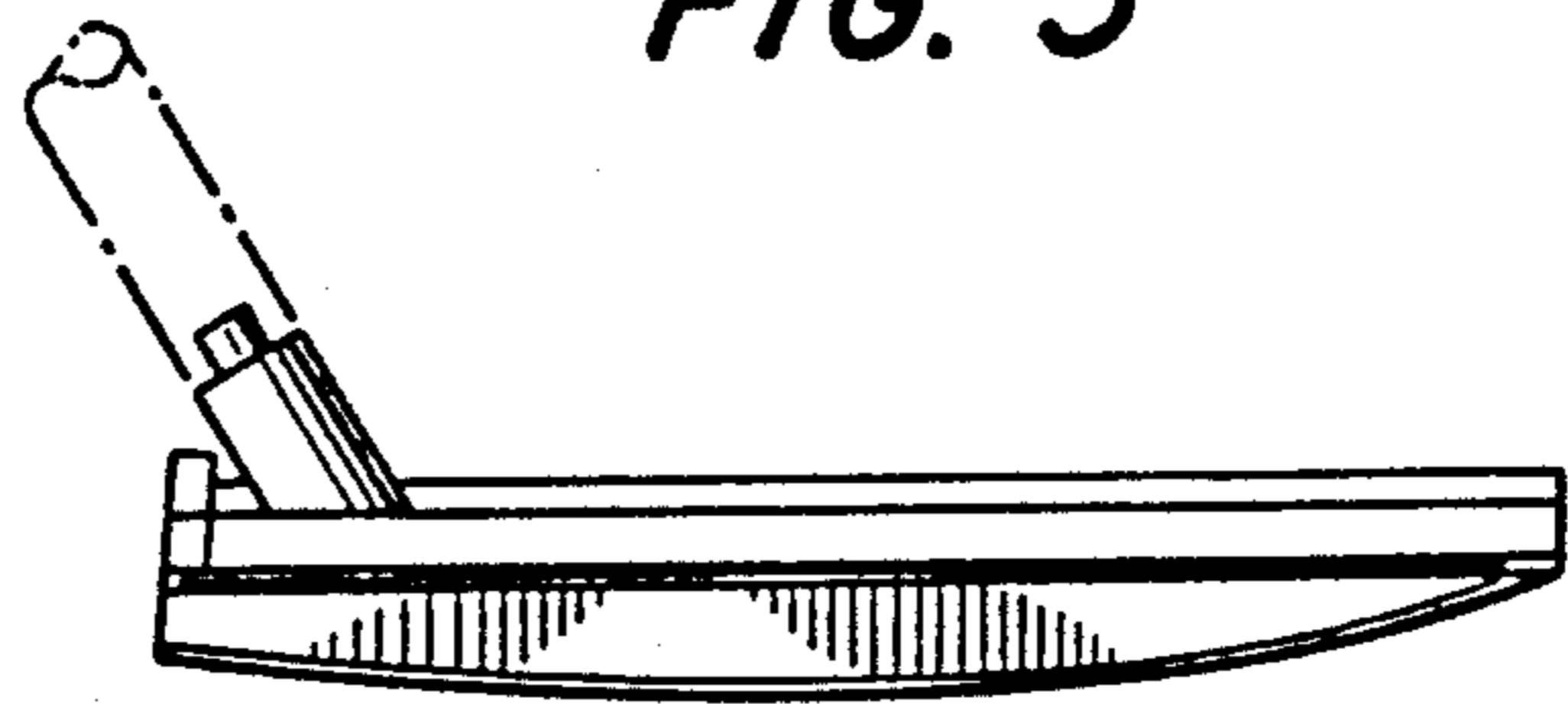
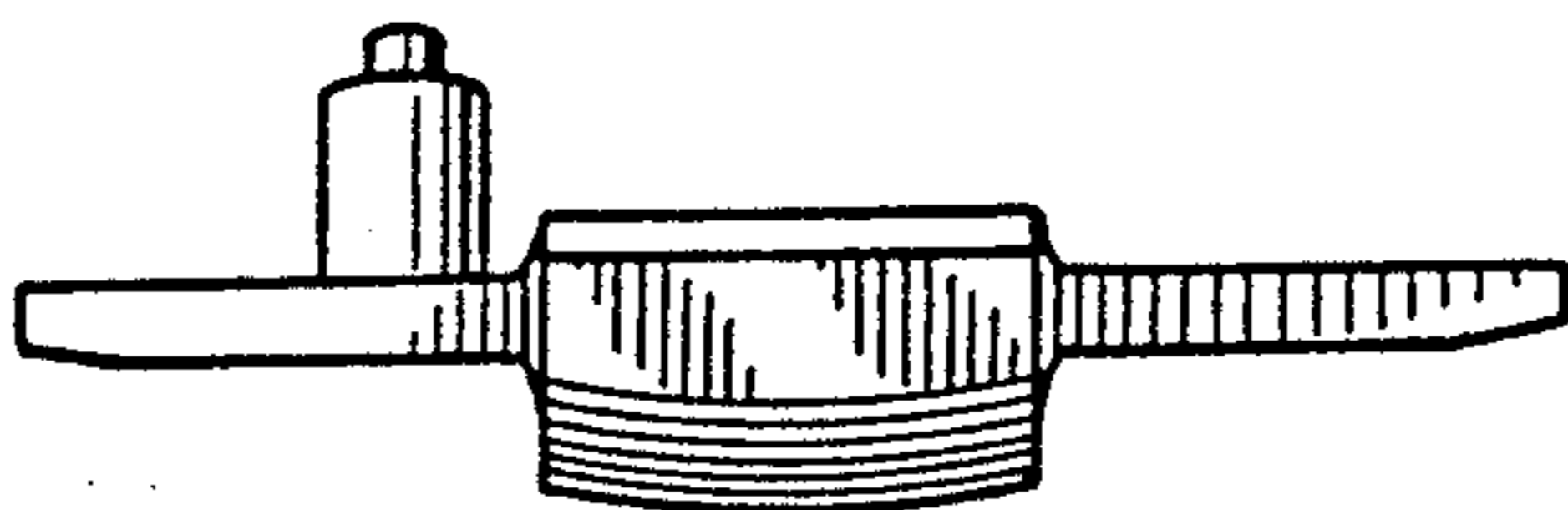


FIG. 4



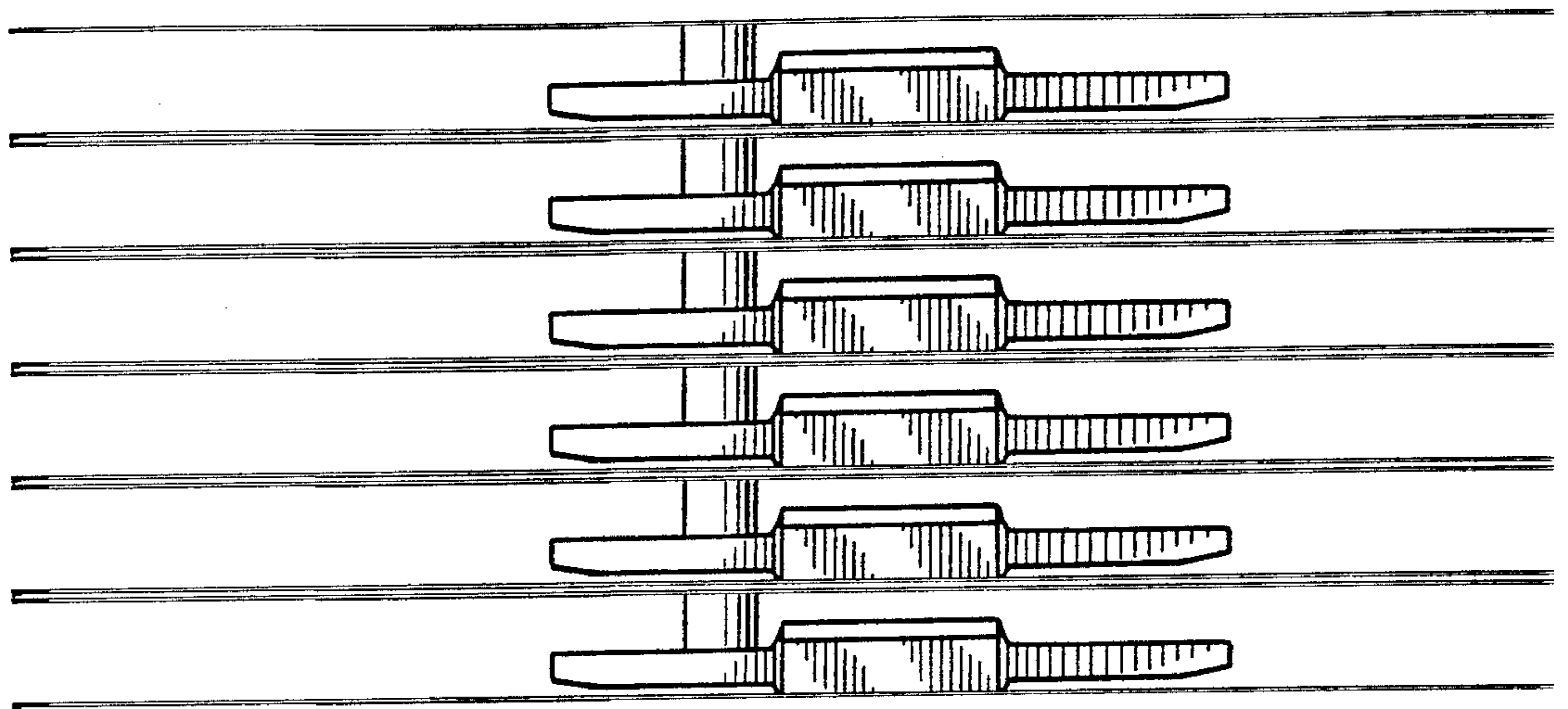


FIG. 5

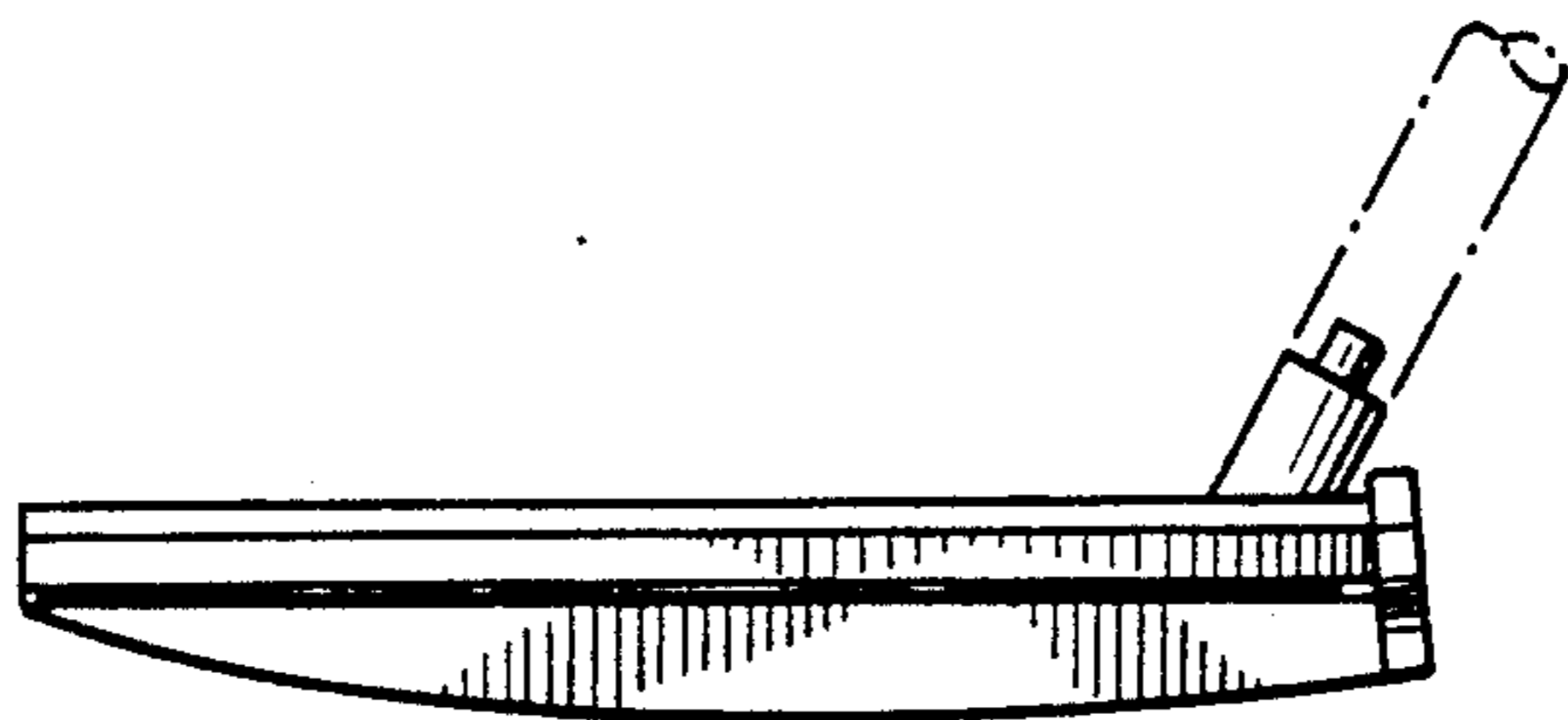


FIG. 6

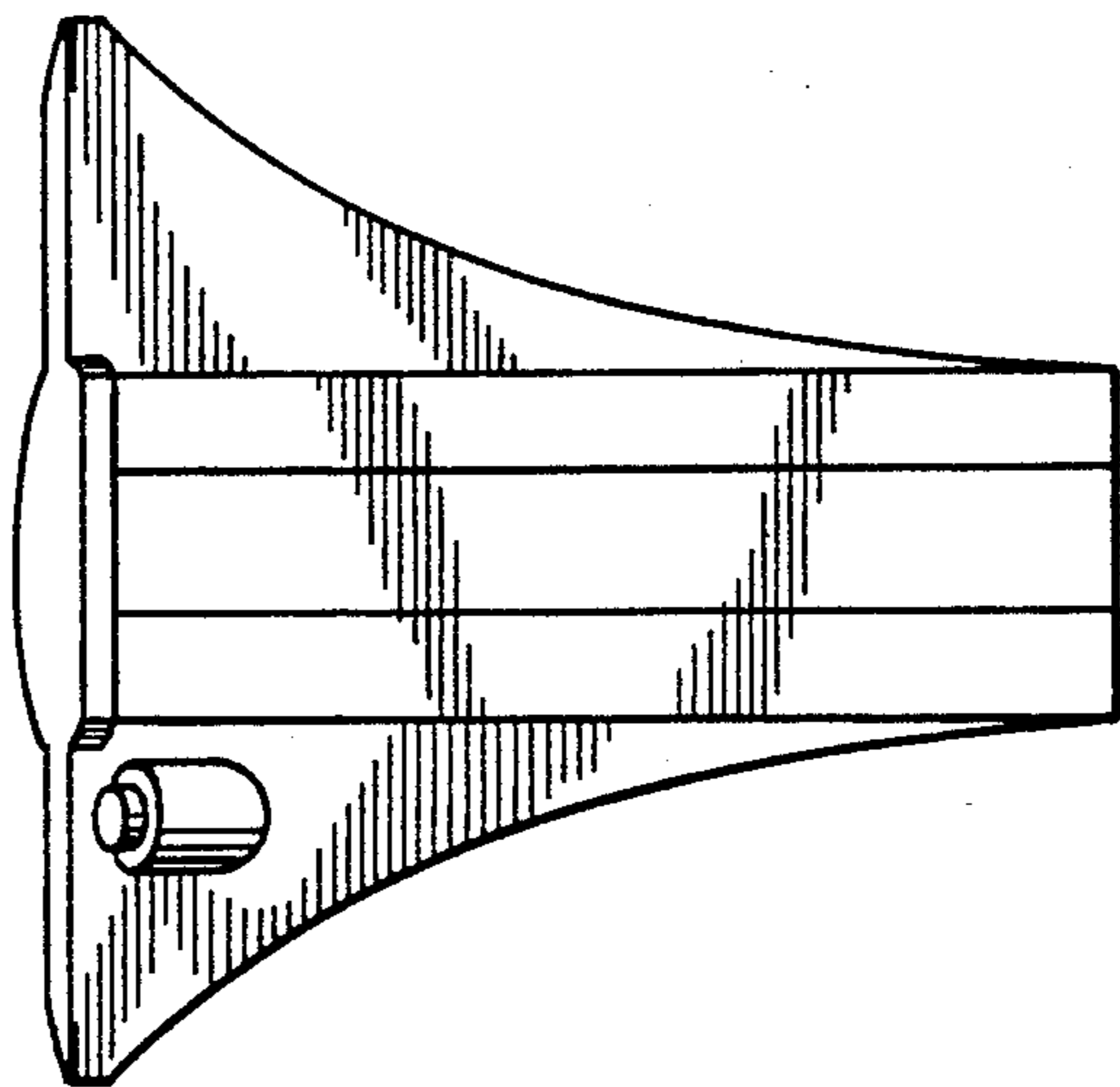


FIG. 7

