

[54] **PHYSICAL EXERCISER**

[76] Inventor: **Taichi Inada**, 10F-5 No. 417 Kwang Fu S. Rd., Taipei, Taiwan

[**] Term: **14 Years**

[21] Appl. No.: **161,186**

[22] Filed: **Feb. 17, 1988**

[52] U.S. Cl. **D21/191**

[58] Field of Search **D21/197-199; 272/90, 143, 144, 125, 145, 133, 134, 136, 67**

3,119,613 1/1964 Zbyszko D21/191
 3,491,998 1/1970 Lyon D21/191
 4,341,378 7/1982 Agyagos D21/191

Primary Examiner—Charles A. Rademaker

[57] **CLAIM**

The ornamental design for a physical exerciser, as shown and described.

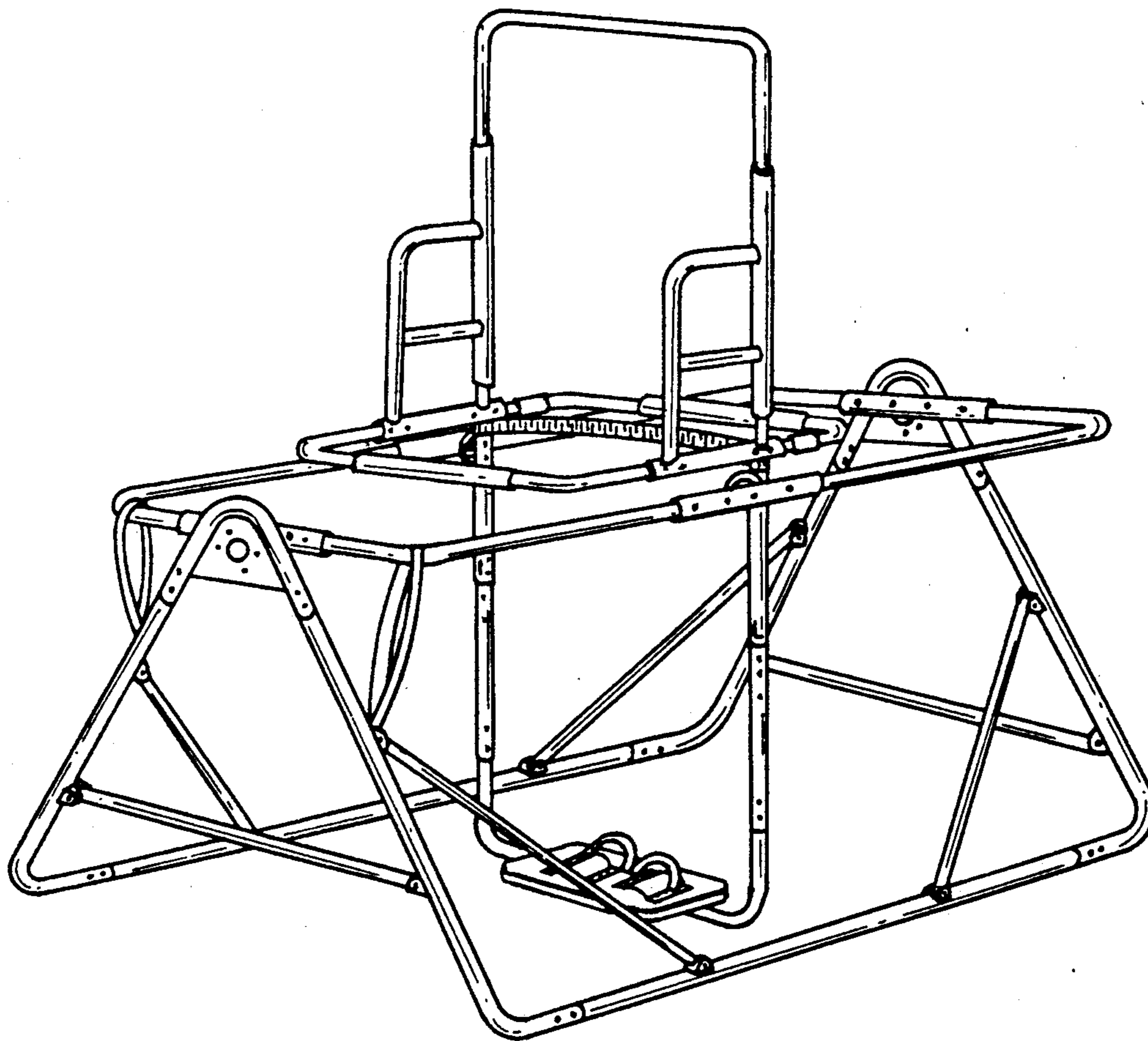
DESCRIPTION

FIG. 1 is a perspective view of a physical exerciser showing my new design;
 FIG. 2 is a right side elevational view thereof;
 FIG. 3 is a left side elevational view thereof;
 FIG. 4 is a front elevational view thereof, the side opposite being a mirror image;
 FIG. 5 is a top plan view thereof;
 FIG. 6 is a bottom plan view thereof.

[56] **References Cited**

U.S. PATENT DOCUMENTS

D. 268,435 3/1983 Agyagos D21/191
 D. 269,701 7/1983 Miller D21/195
 D. 306,051 2/1990 Brentham D21/195



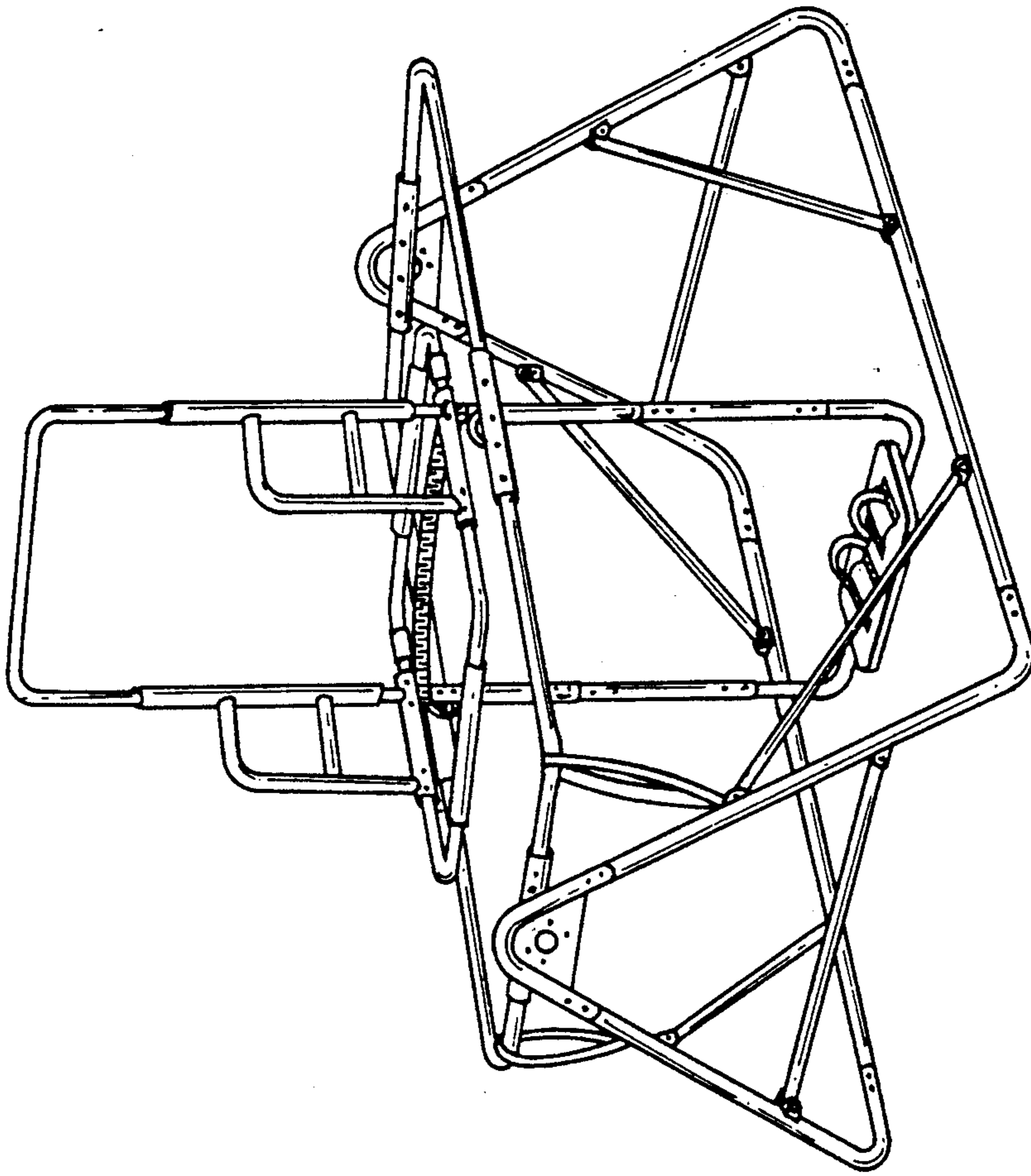


Fig. 1

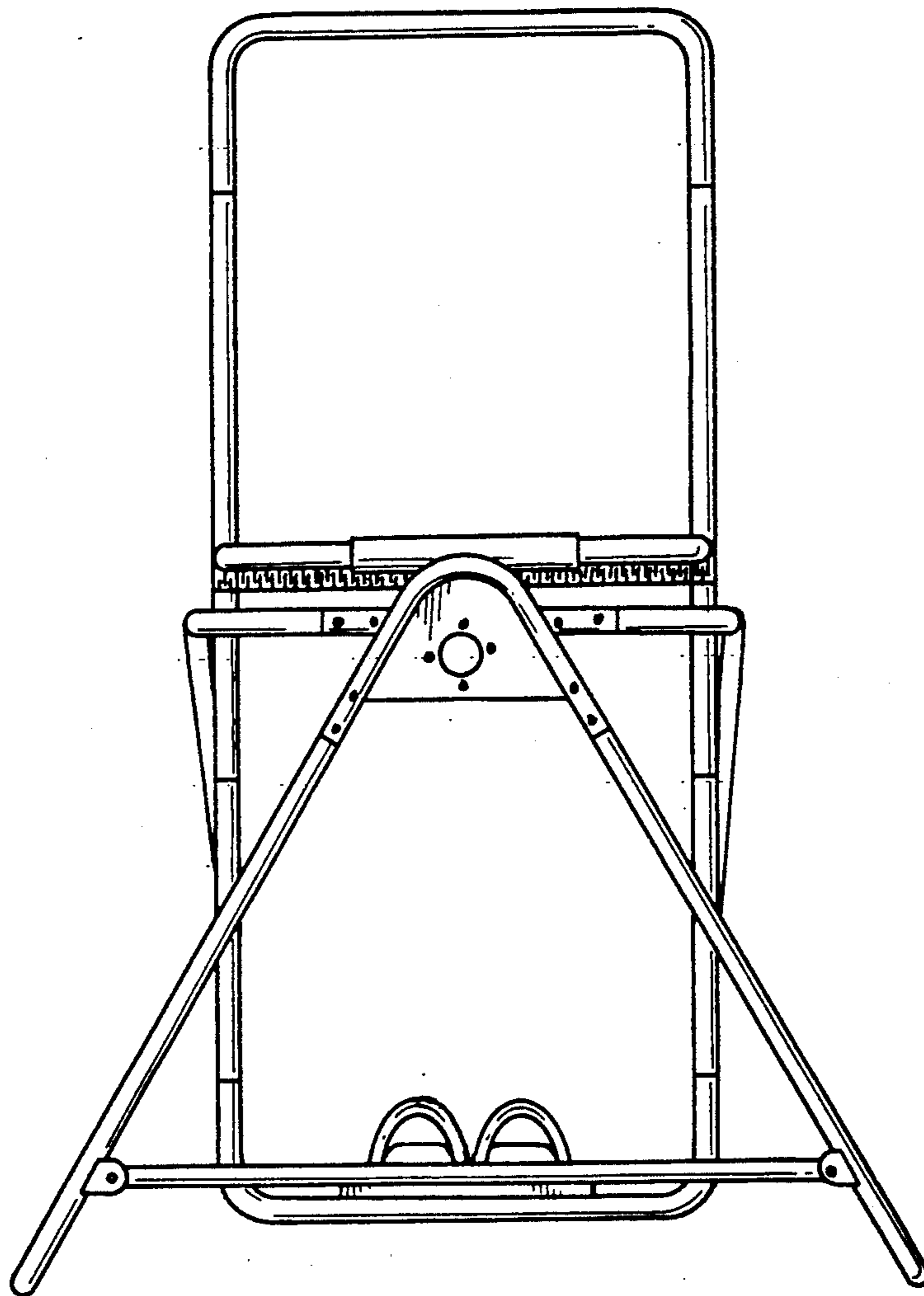


Fig. 2

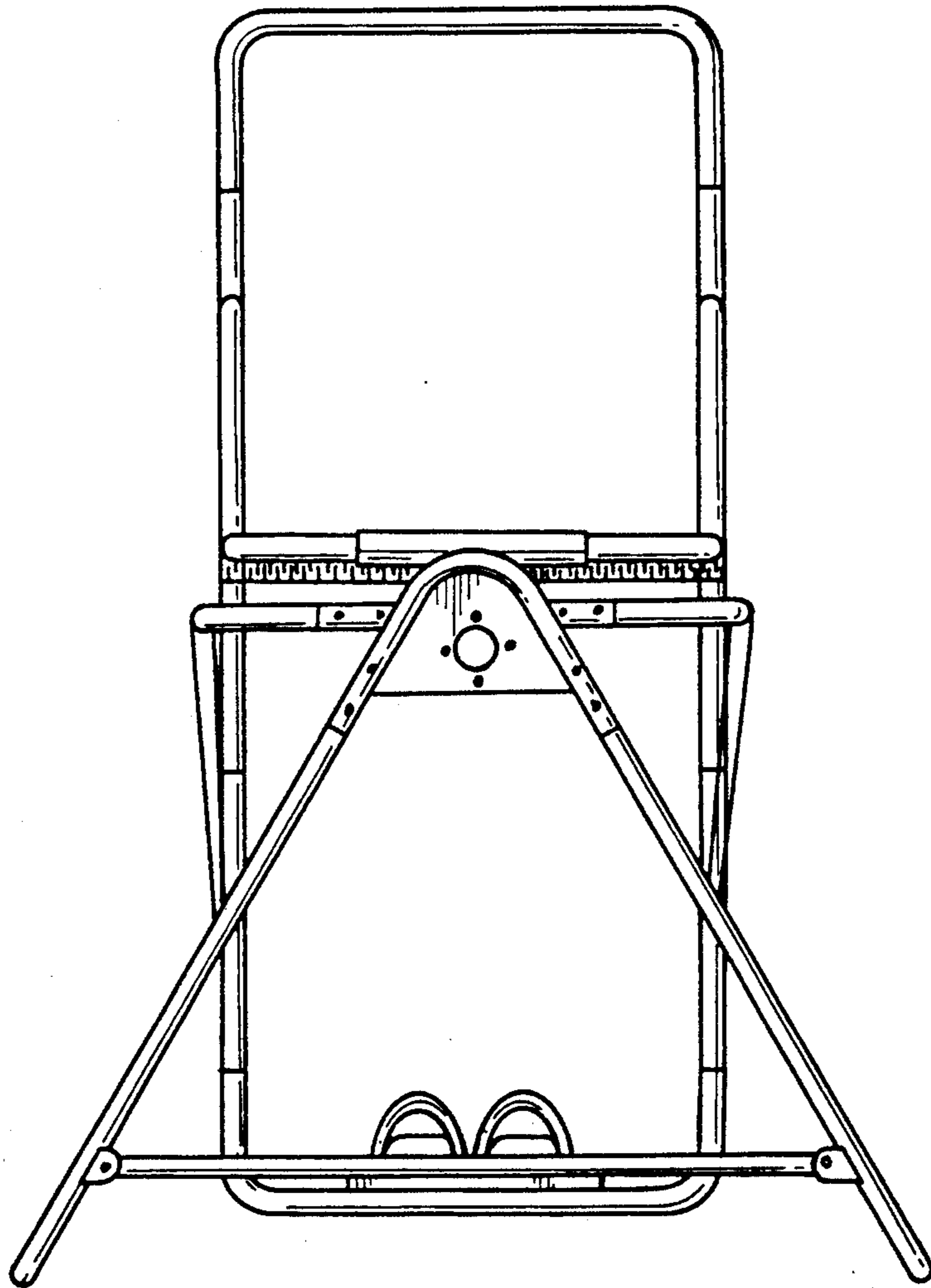


Fig. 3

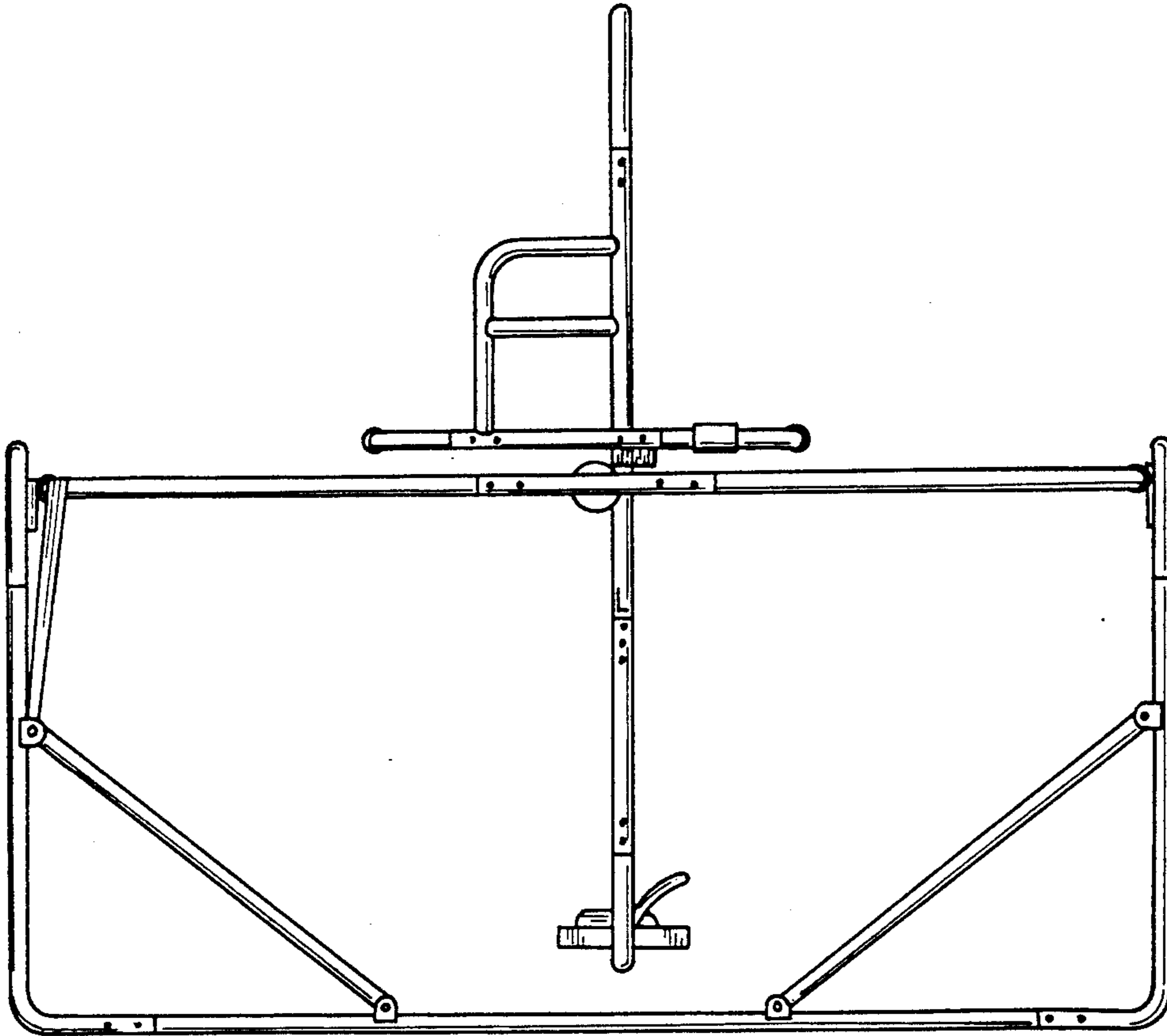


Fig. 4

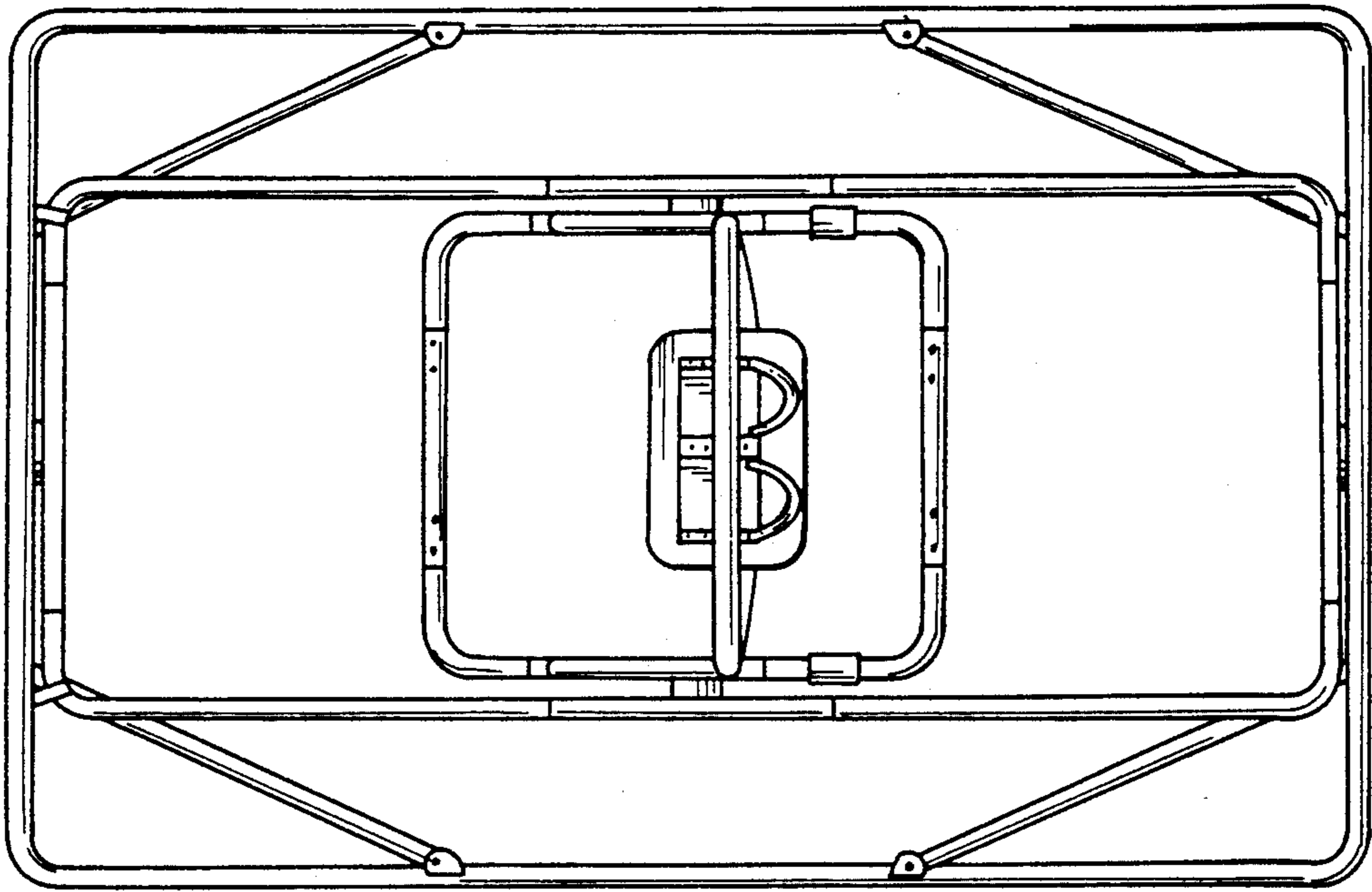


Fig. 5

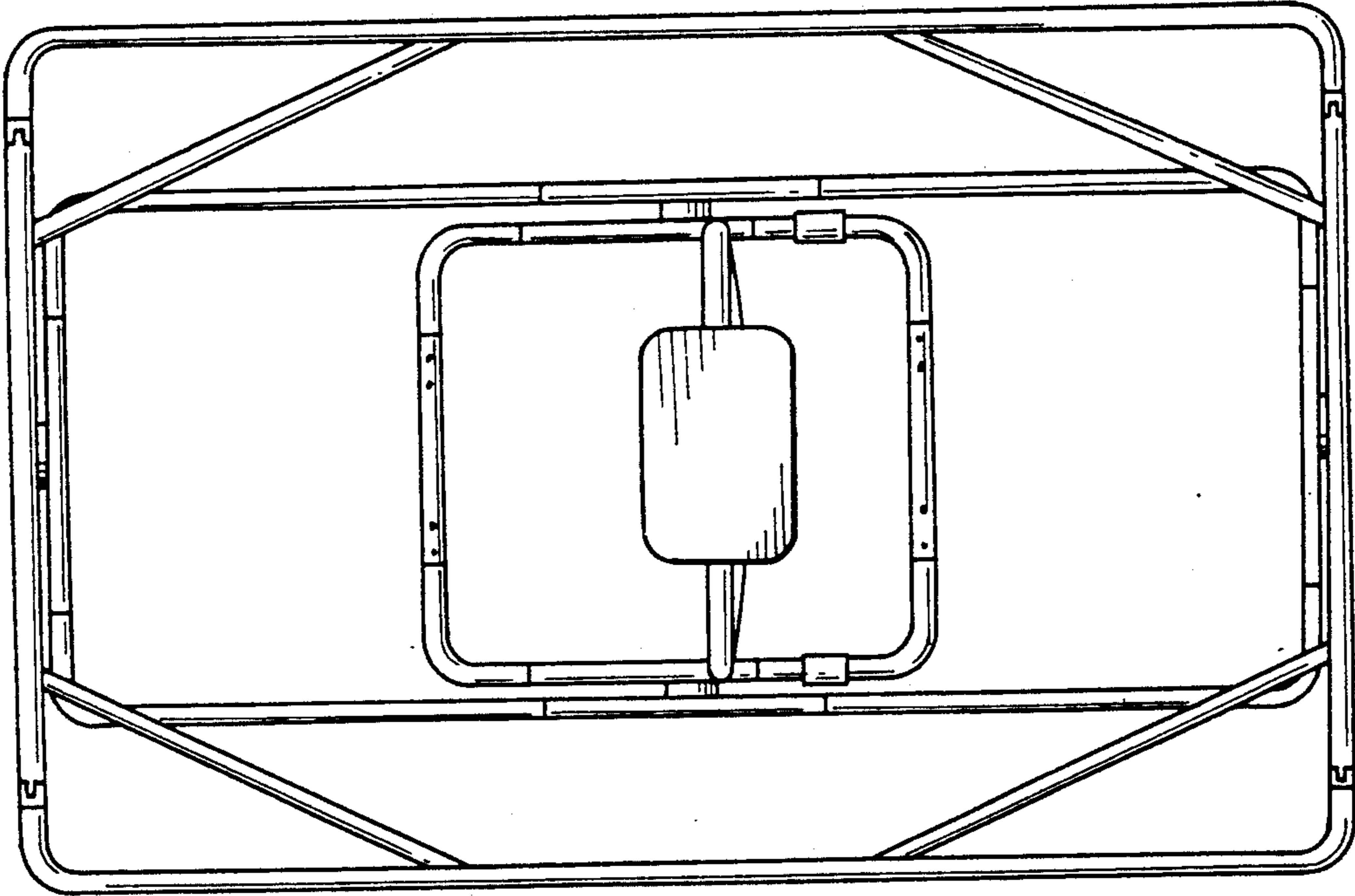


Fig. 6