

[54] TOY TRUCK

[75] Inventor: Ib H. Berggreen, Vedbaek, Denmark

[73] Assignee: Interlego A.G., Switzerland

[**] Term: 14 Years

[21] Appl. No.: 277,908

[22] Filed: Nov. 29, 1988

[52] U.S. Cl. D21/136

[58] Field of Search D21/128, 132, 134, 135, D21/136, 137, 140, 76, 78, 79, 108; 446/433, 440, 441, 450, 452, 460, 466, 467, 468, 470, 464, 117, 118, 119, 120

[56] References Cited

U.S. PATENT DOCUMENTS

- D. 266,778 11/1982 Hilko D21/136
- D. 295,304 4/1988 Shibukawa D21/136
- D. 295,642 5/1988 Olsen D21/108

- D. 310,111 8/1990 Revell et al. D21/136
- D. 312,488 11/1990 Kwan D21/136

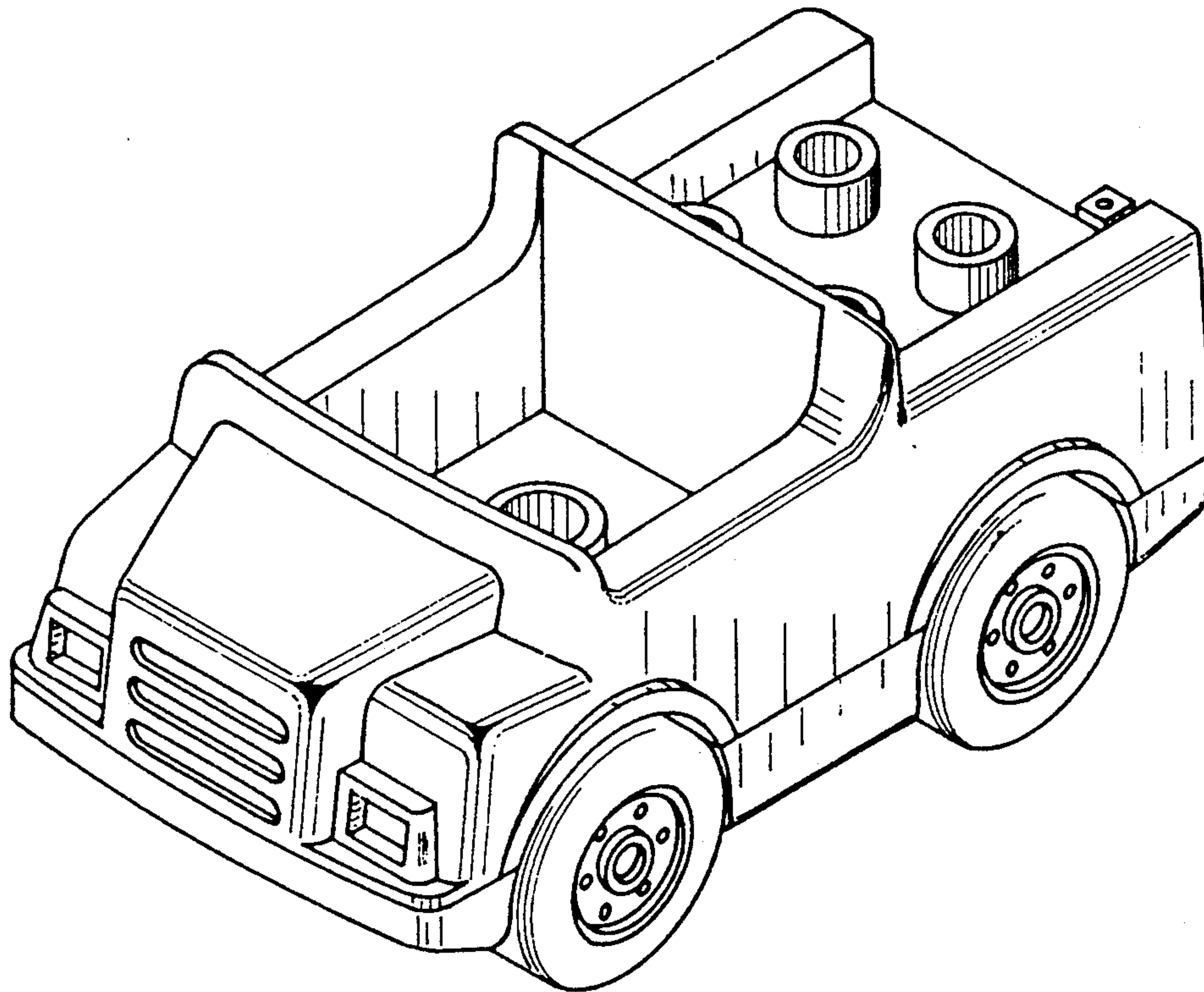
Primary Examiner—Charles A. Rademaker
Attorney, Agent, or Firm—Kane, Dalsimer, Sullivan, Kurucz, Levy, Eisele and Richard

[57] CLAIM

The ornamental design for a toy truck, as shown and described.

DESCRIPTION

FIG. 1 is a top perspective view of a toy truck showing my new design;
 FIG. 2 is a bottom perspective view thereof;
 FIG. 3 is a front elevational view thereof;
 FIG. 4 is a rear elevational view thereof;
 FIG. 5 is a top plan view thereof;
 FIG. 6 is a bottom plan view thereof;
 FIG. 7 is a side elevational view thereof, the opposite side being a mirror image.



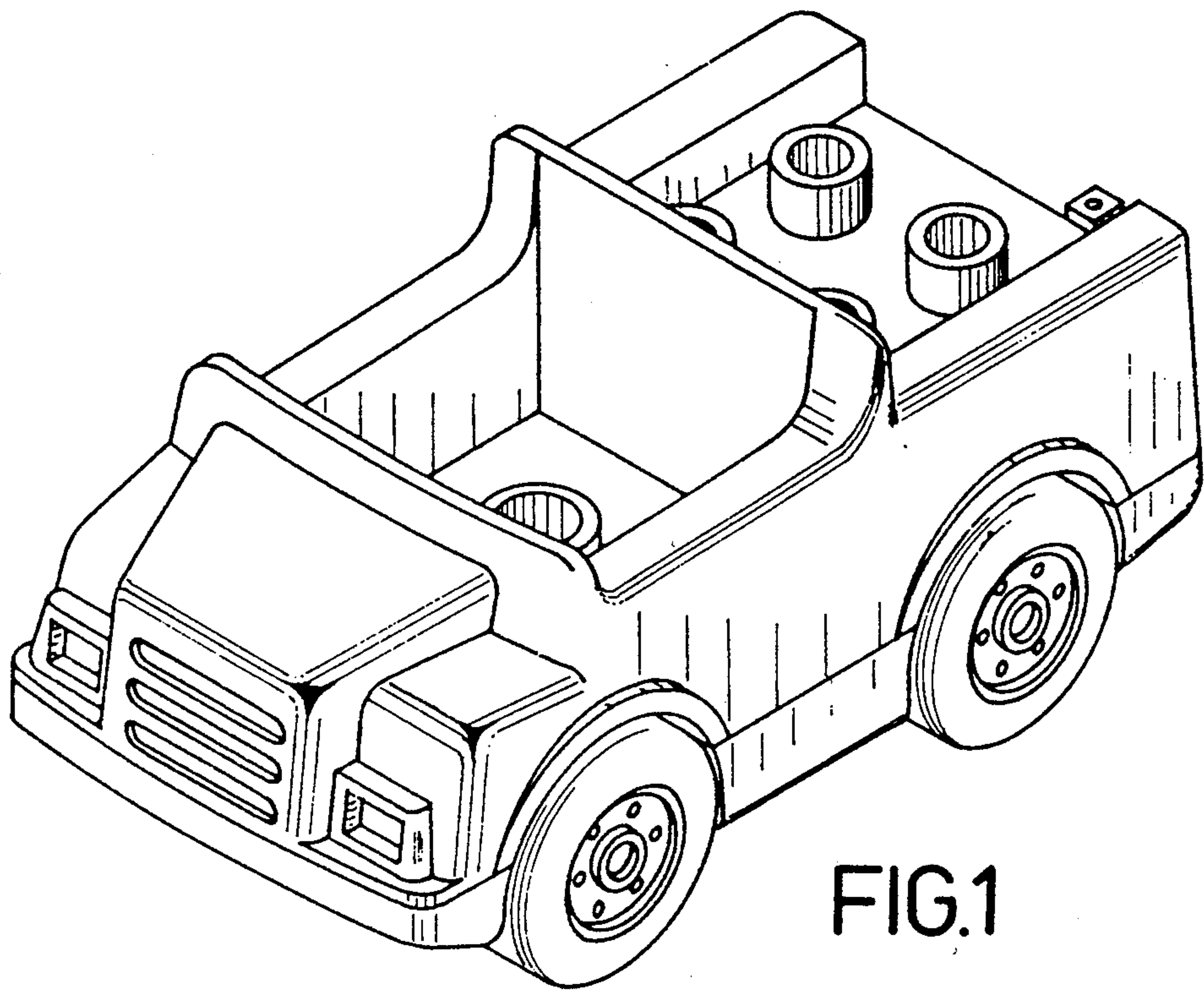


FIG.1

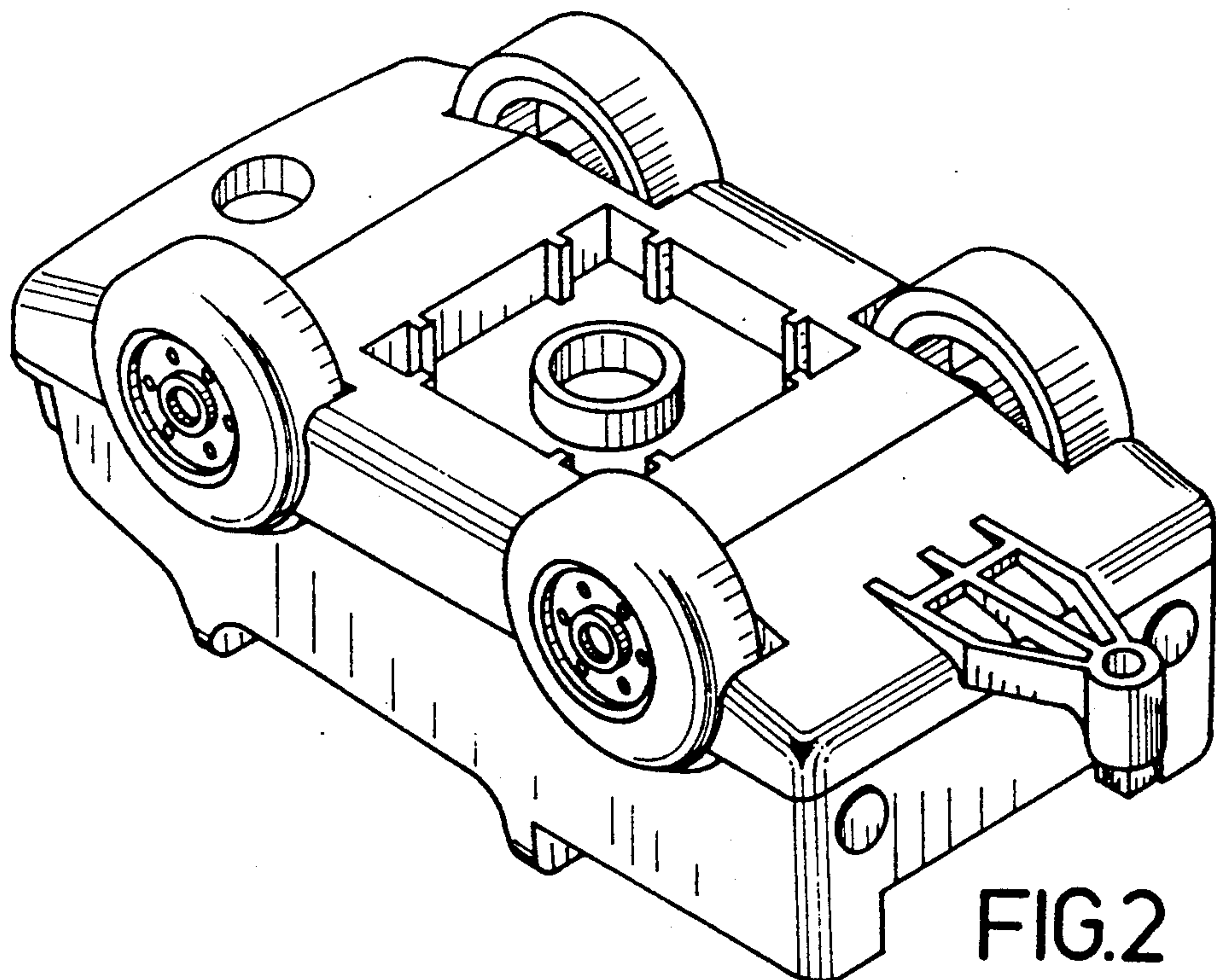


FIG.2

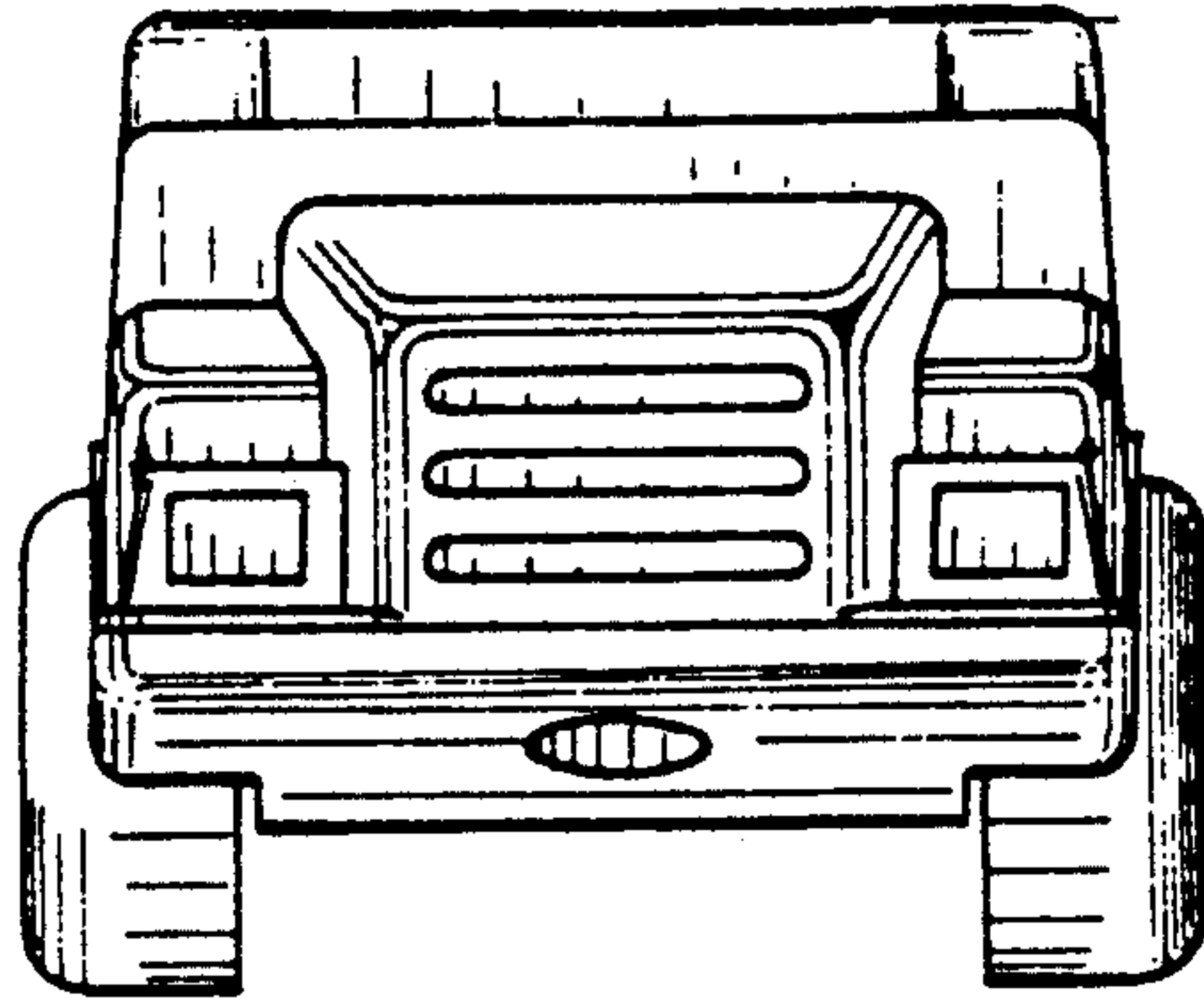


FIG.3

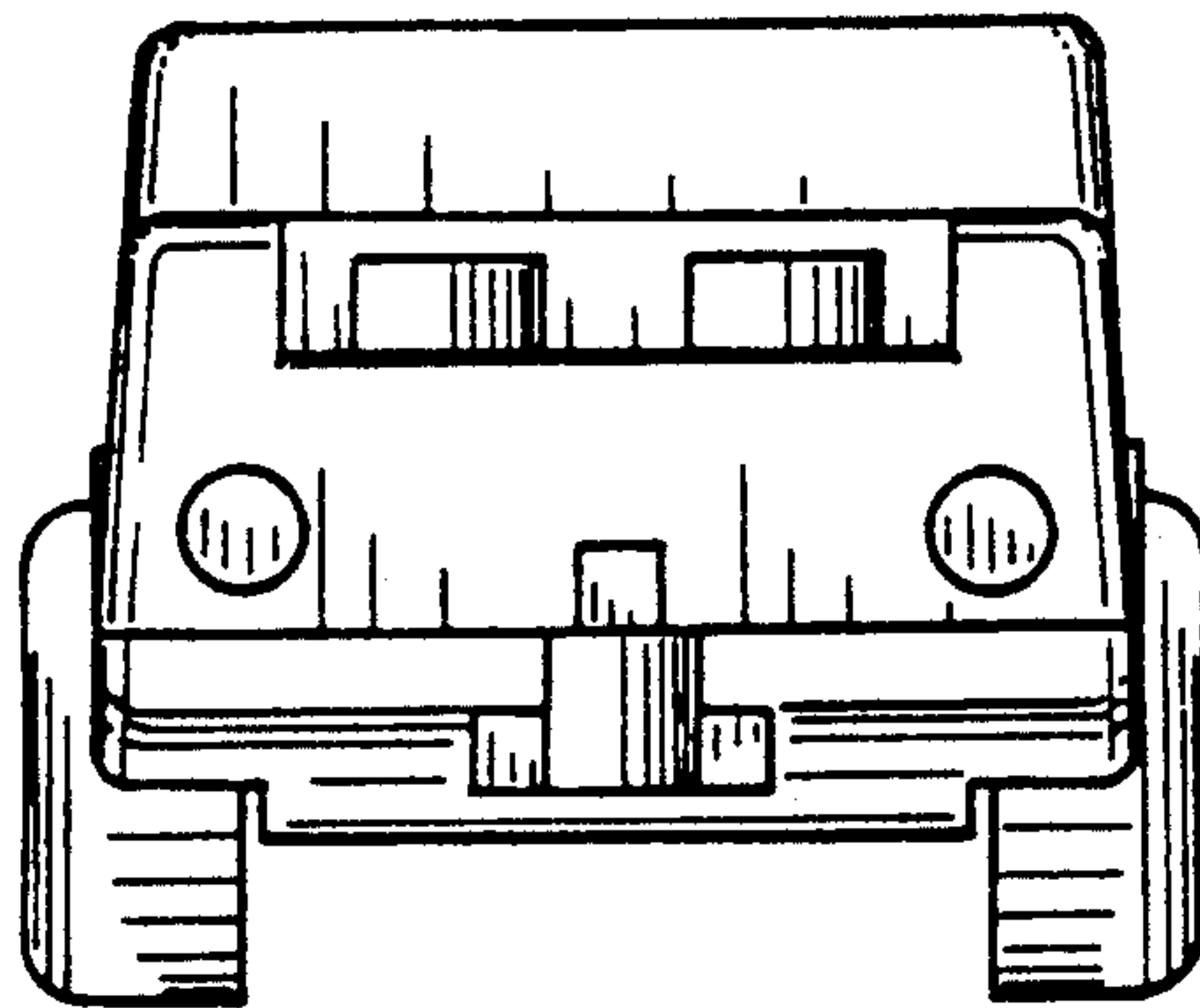


FIG.4

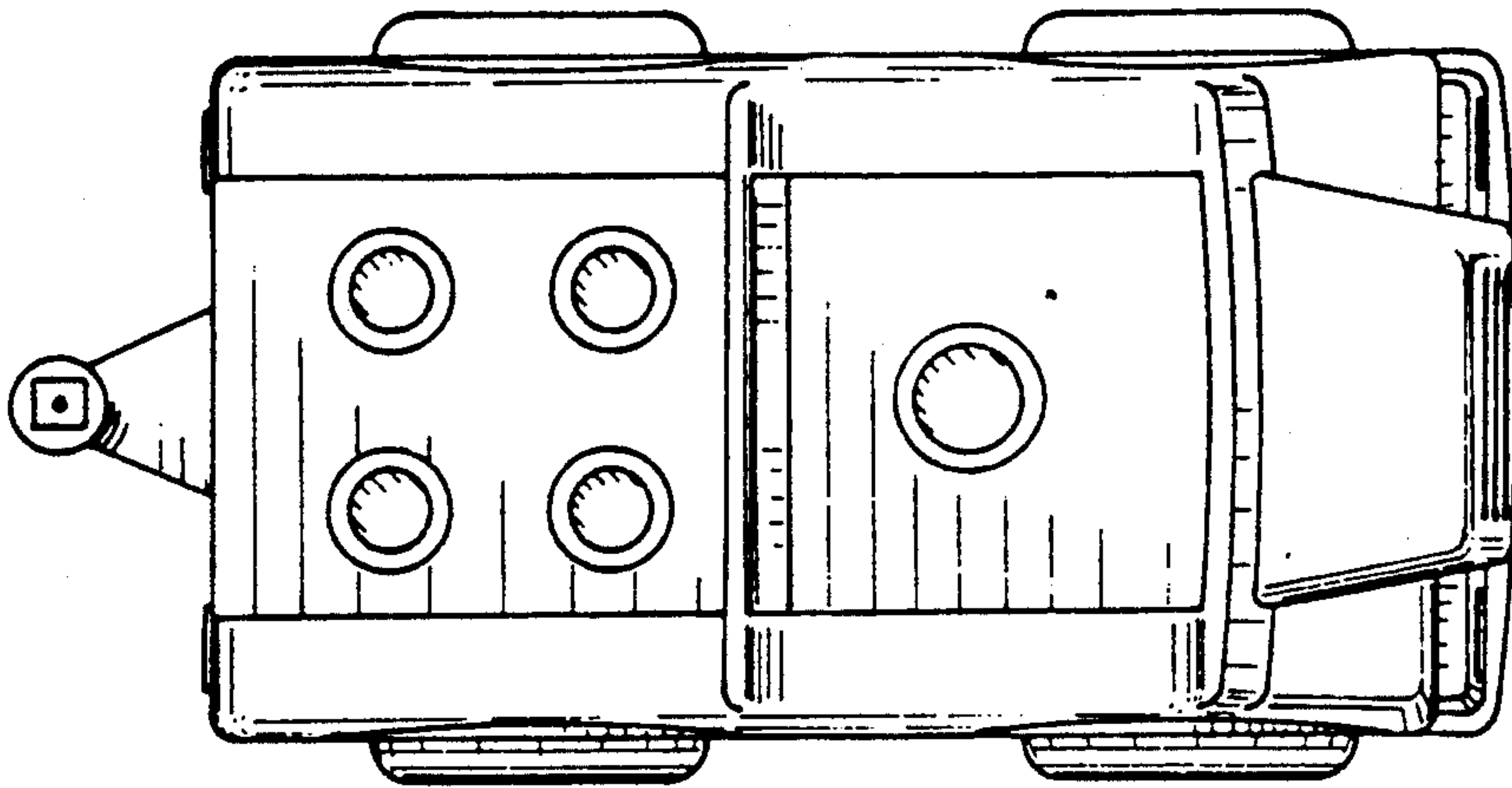


FIG.5

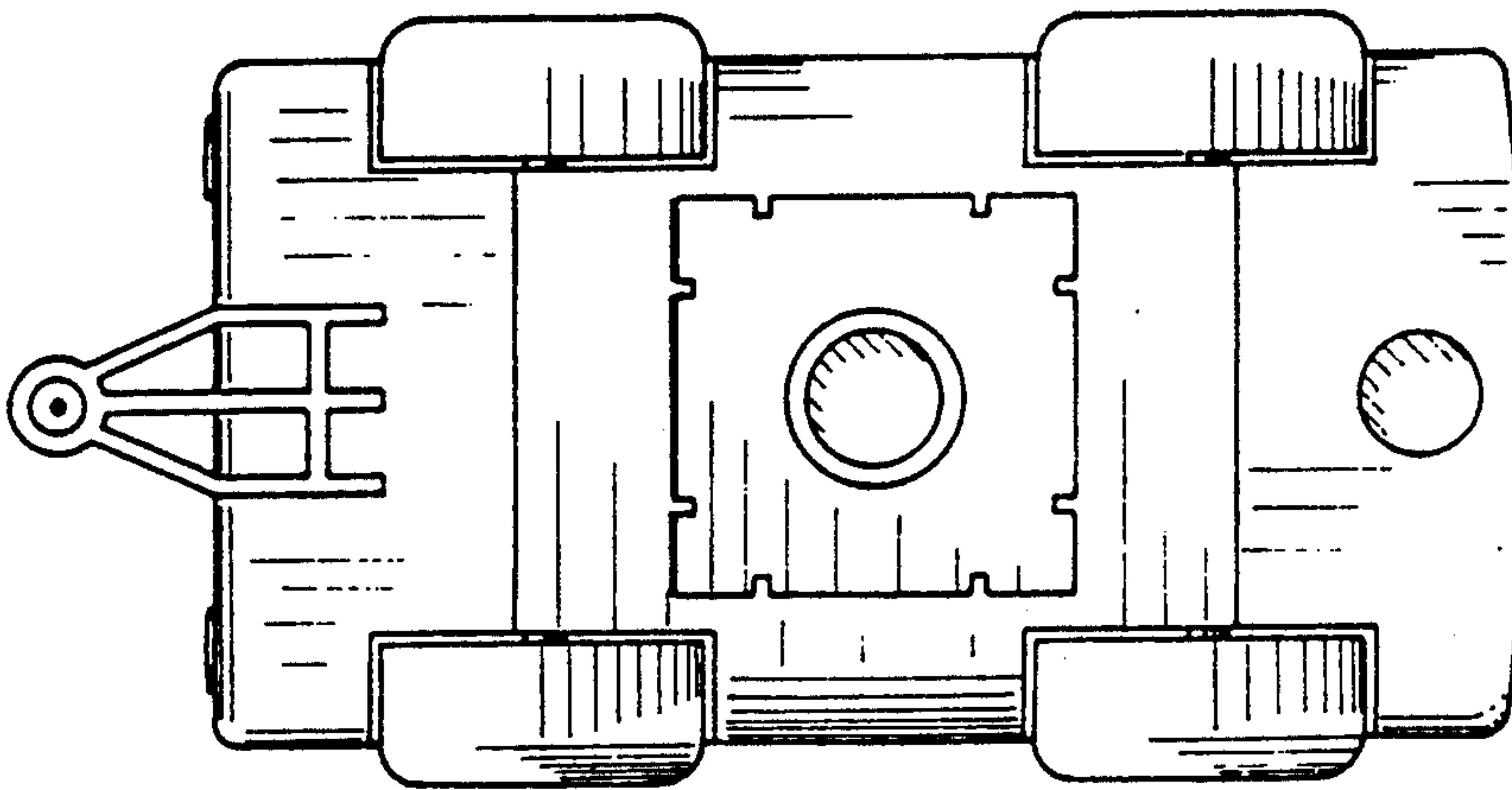


FIG.6

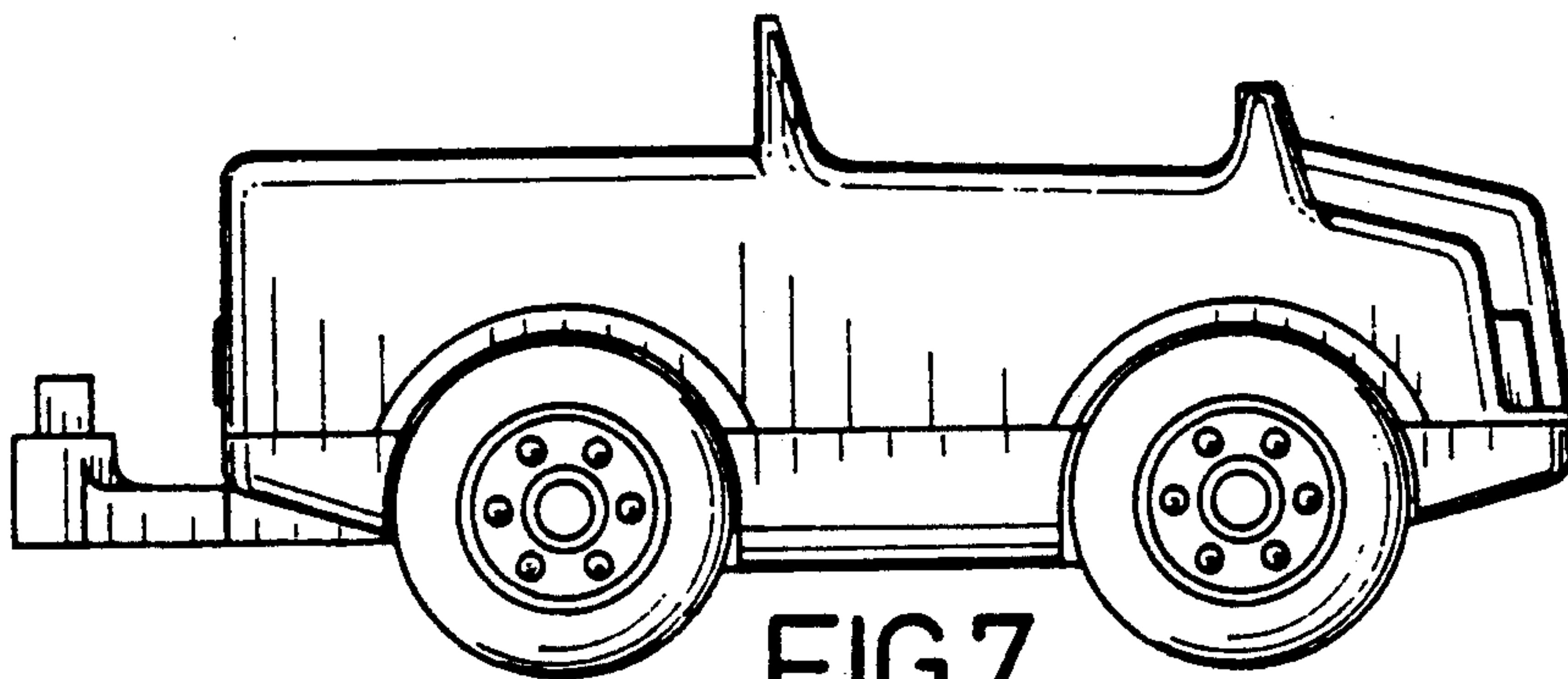


FIG.7