

[54] TOY TELEPHONE

[75] Inventors: Christopher C. Wiggs; Christopher J. C. Taylor, both of London, England

[73] Assignee: Hestair Kiddicraft Limited, Bristol, England

[**] Term: 14 Years

[21] Appl. No.: 354,679

[22] Filed: May 19, 1989

[30] Foreign Application Priority Data

Nov. 22, 1988 [GB] United Kingdom 1055141
[52] U.S. Cl. D21/111
[58] Field of Search D21/59, 111, 109, 63, D21/64; D14/63, 64, 53; 446/141, 142, 151, 150; 179/103, 100 R, 100 D, 178, 179

[56]

References Cited

U.S. PATENT DOCUMENTS

D. 281,517 11/1985 Kolich D21/111
D. 284,761 7/1986 Ryan D21/111
D. 299,664 1/1989 Ferguson et al. D21/111

Primary Examiner—Charles A. Rademaker

[57]

CLAIM

The ornamental design for a toy telephone, as shown and described.

DESCRIPTION

FIG. 1 is a front perspective view of a toy telephone showing our new design;
FIG. 2 is a front elevational view thereof;
FIG. 3 is a rear elevational view thereof;
FIG. 4 is a left side elevational view thereof;
FIG. 5 is a right side elevational view thereof;
FIG. 6 is a top plan view thereof; and,
FIG. 7 is a bottom plan view thereof.

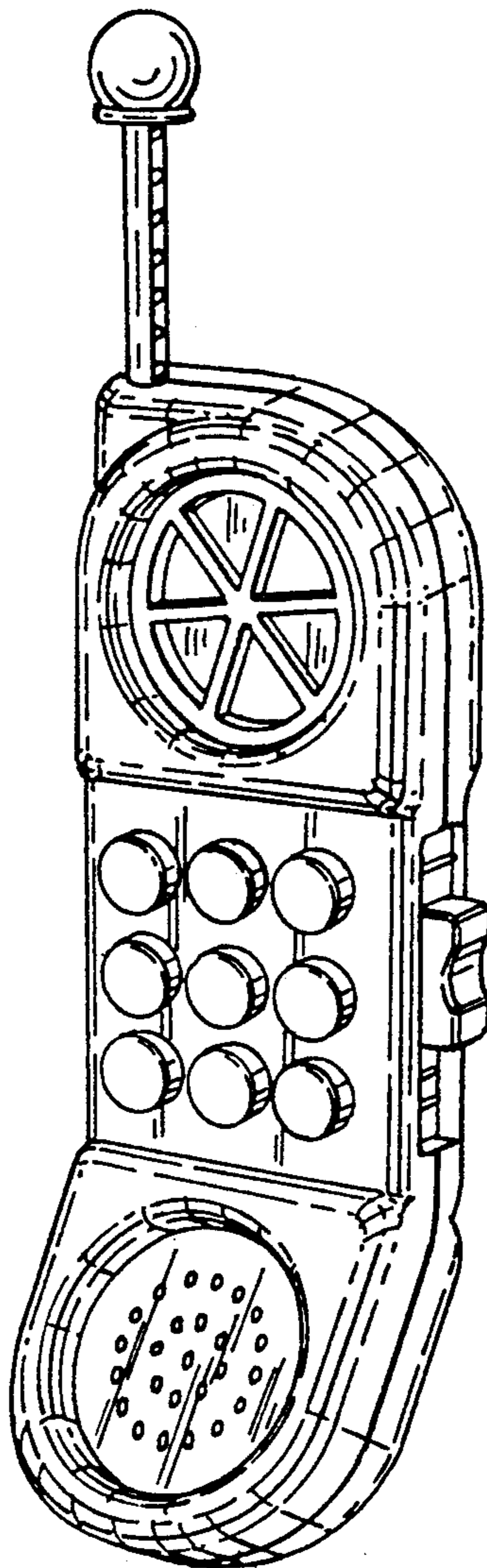


FIG. 1

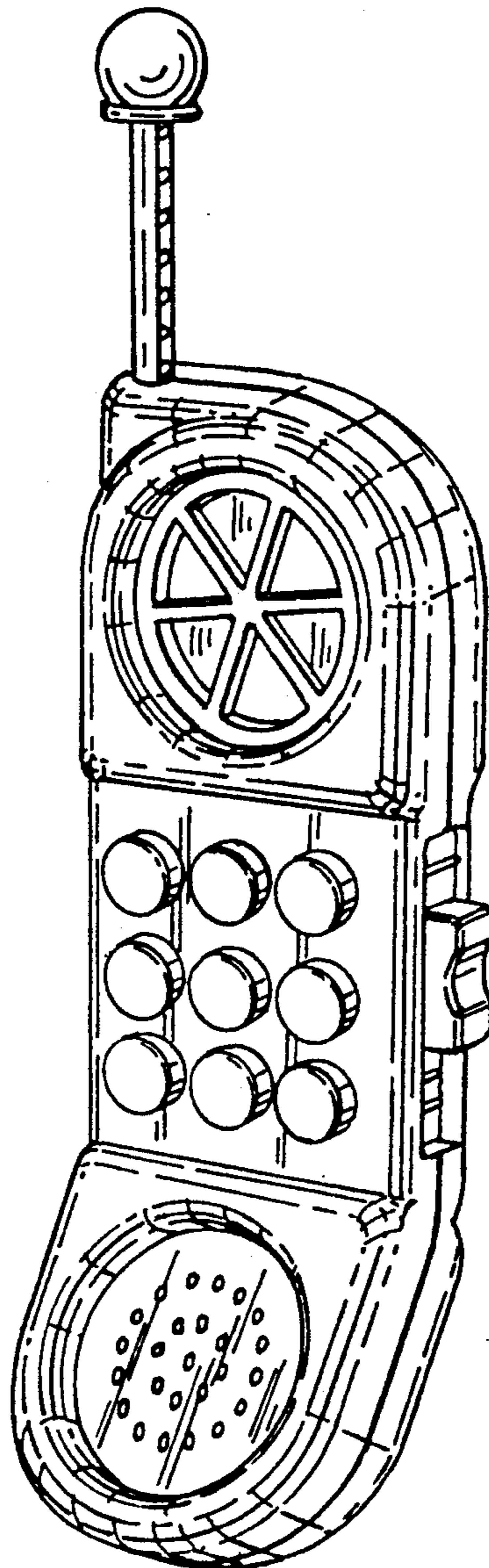


FIG. 2

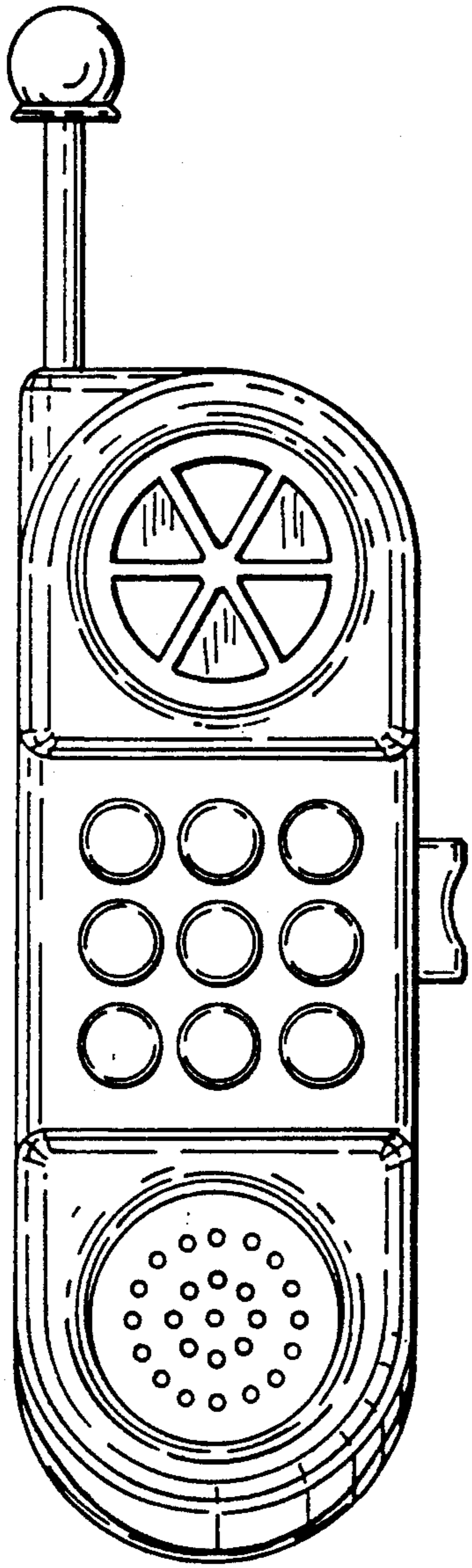


FIG. 3

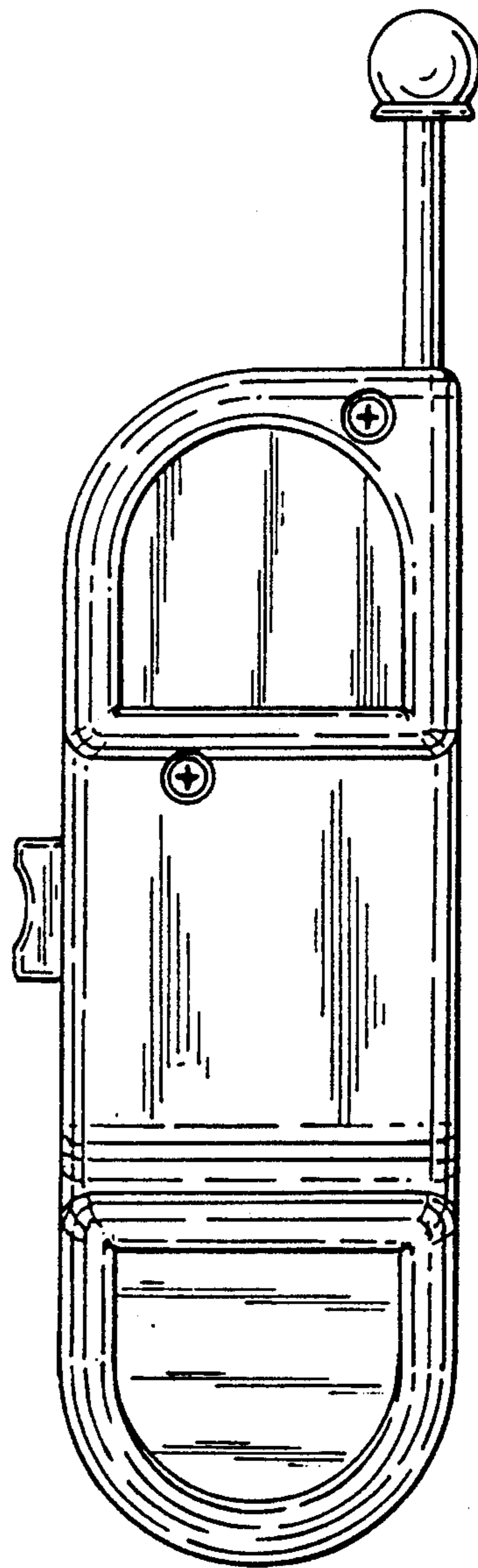


FIG.4

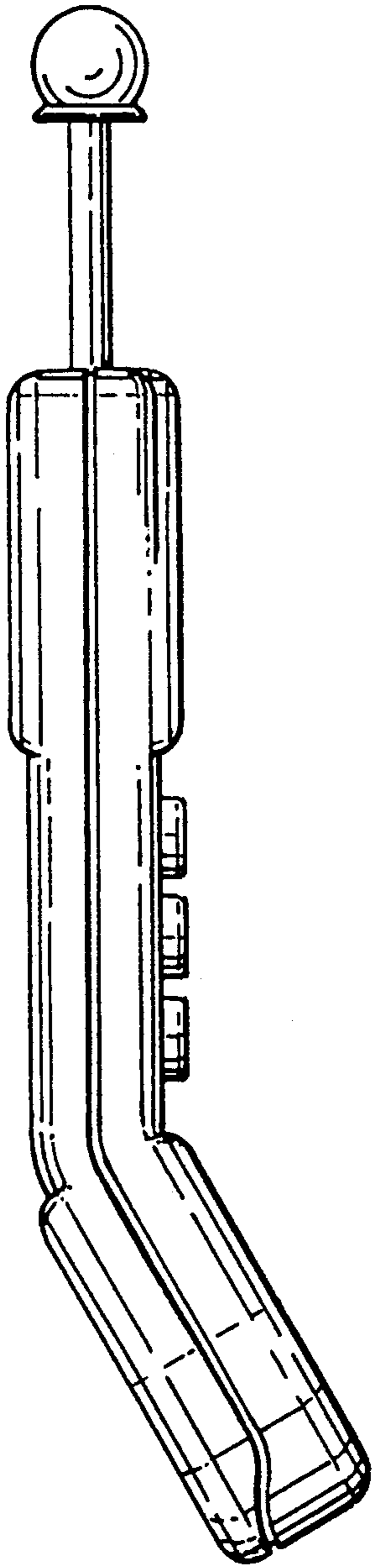


FIG.5

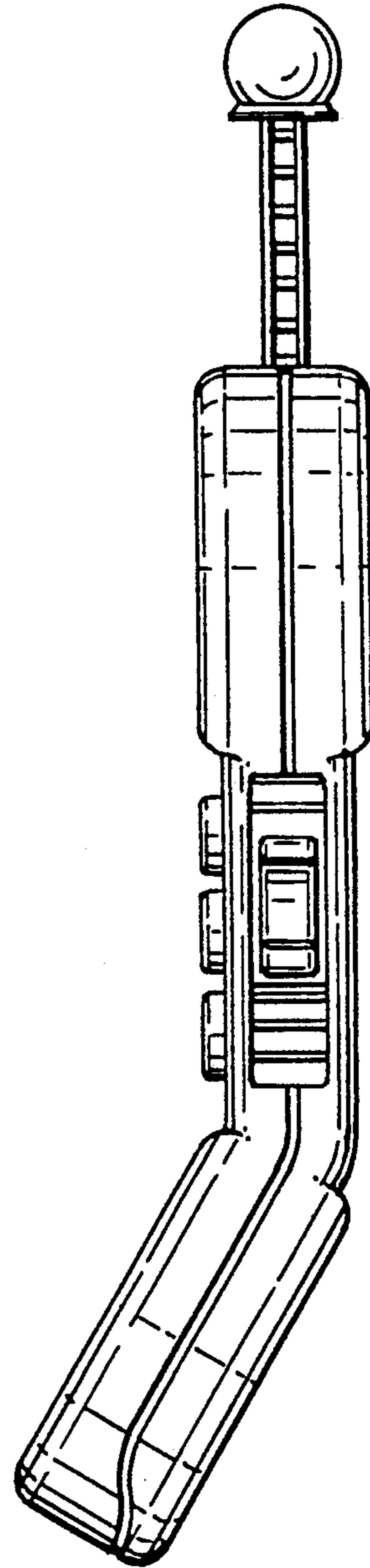


FIG. 6

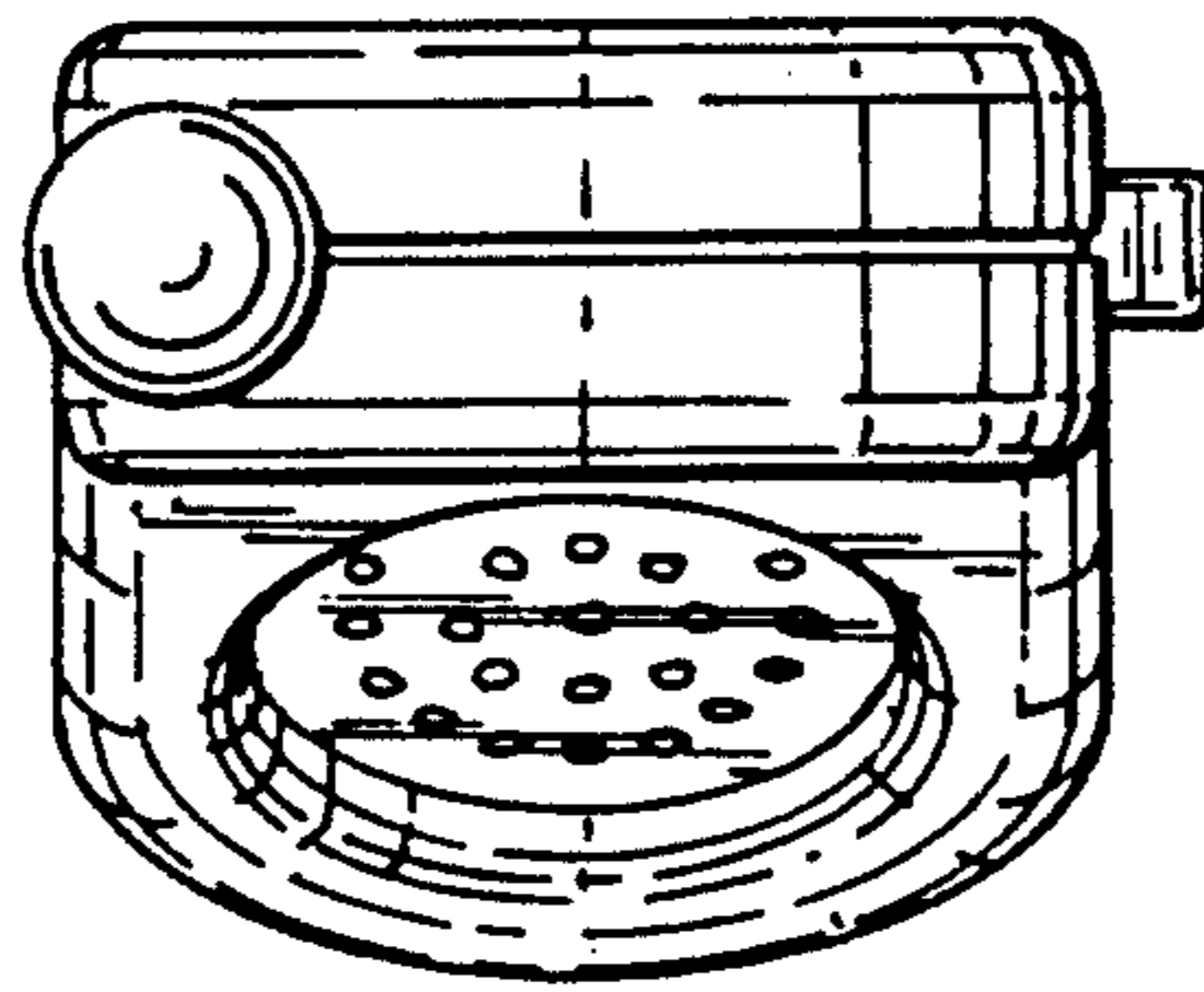


FIG. 7

