

[54] TOY TREE ELEMENT

3,670,449 6/1972 Lemkin et al. 446/125
4,919,268 4/1990 Young et al. 446/122

[75] Inventor: Flemming H. Olsen, Espergaerde, Denmark

[73] Assignee: Interlego A.G., Switzerland

[**] Term: 14 Years

[21] Appl. No.: 443,237

[22] Filed: Nov. 29, 1989

[52] U.S. Cl. D21/108

[58] Field of Search D21/108, 118, 120, 141;
D8/14, 47, 88; D11/64; 446/85, 86, 102, 103,
104, 108, 110, 114, 115, 116, 118, 120, 122, 128,
124, 125

[56] References Cited

U.S. PATENT DOCUMENTS

- 206,387 7/1878 Bowen 446/85
- D. 208,789 10/1967 Kuhn D21/108
- D. 290,028 5/1987 Wichman D21/108
- D. 309,639 7/1990 Knudsen D21/108
- D. 309,640 7/1990 Knudsen D21/108

OTHER PUBLICATIONS

Yonezawa Catalog, 1980, p. 5, bottom toy fair 1980.

Primary Examiner—Charles A. Rademaker

Assistant Examiner—R. Barkai

Attorney, Agent, or Firm—Kane, Dalsimer, Sullivan,
Kurucz, Levy, Eisele and Richard

[57] CLAIM

The ornamental design for a toy tree element, as shown and described.

DESCRIPTION

FIG. 1 is a top perspective view of a toy tree element showing my new design;

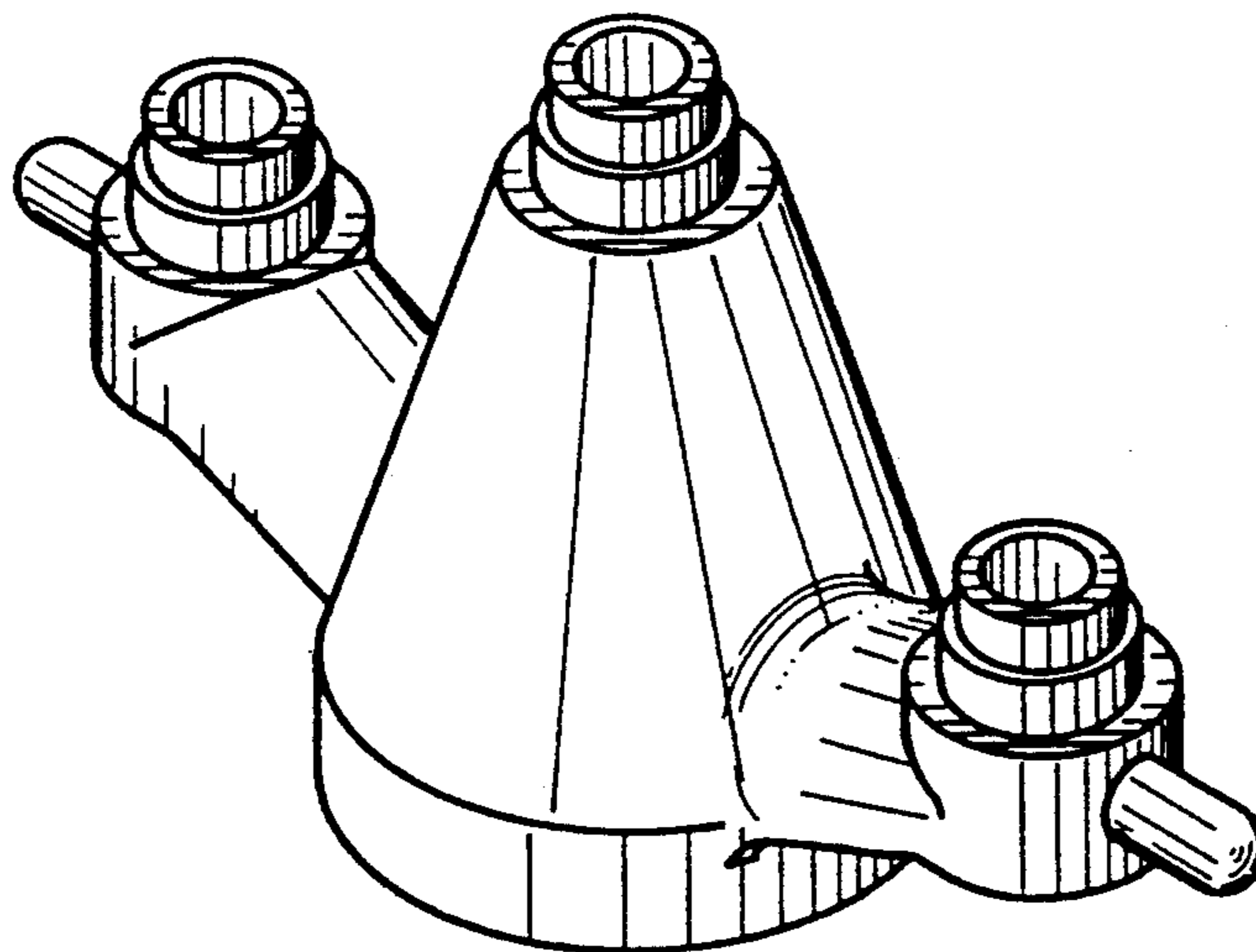
FIG. 2 is a bottom perspective view thereof;

FIG. 3 is a front elevational view thereof, the rear elevational view being identical;

FIG. 4 is a side elevational view thereof, the side opposite being identical;

FIG. 5 is a top plan view thereof; and,

FIG. 6 is a bottom plan view thereof.



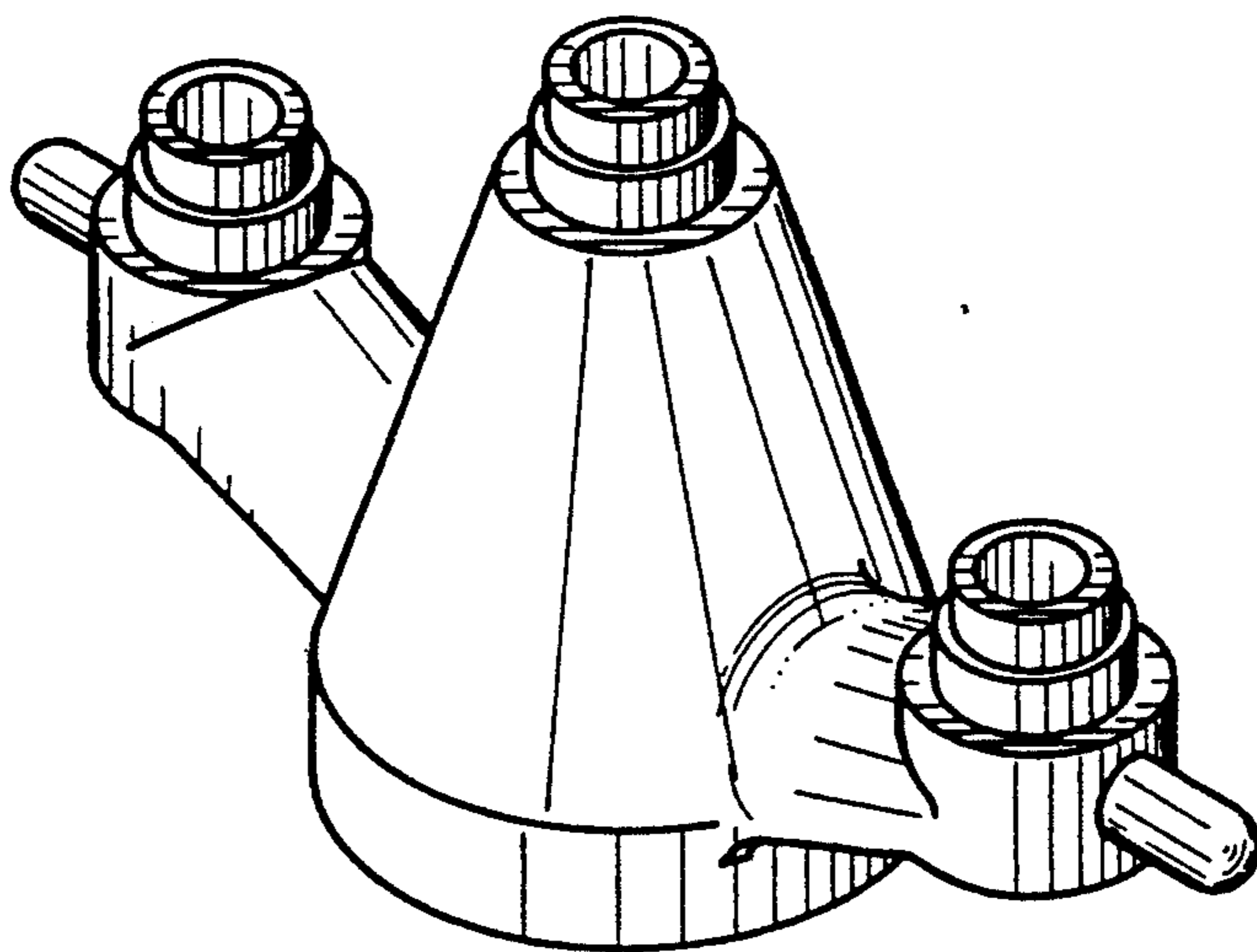


FIG. 1

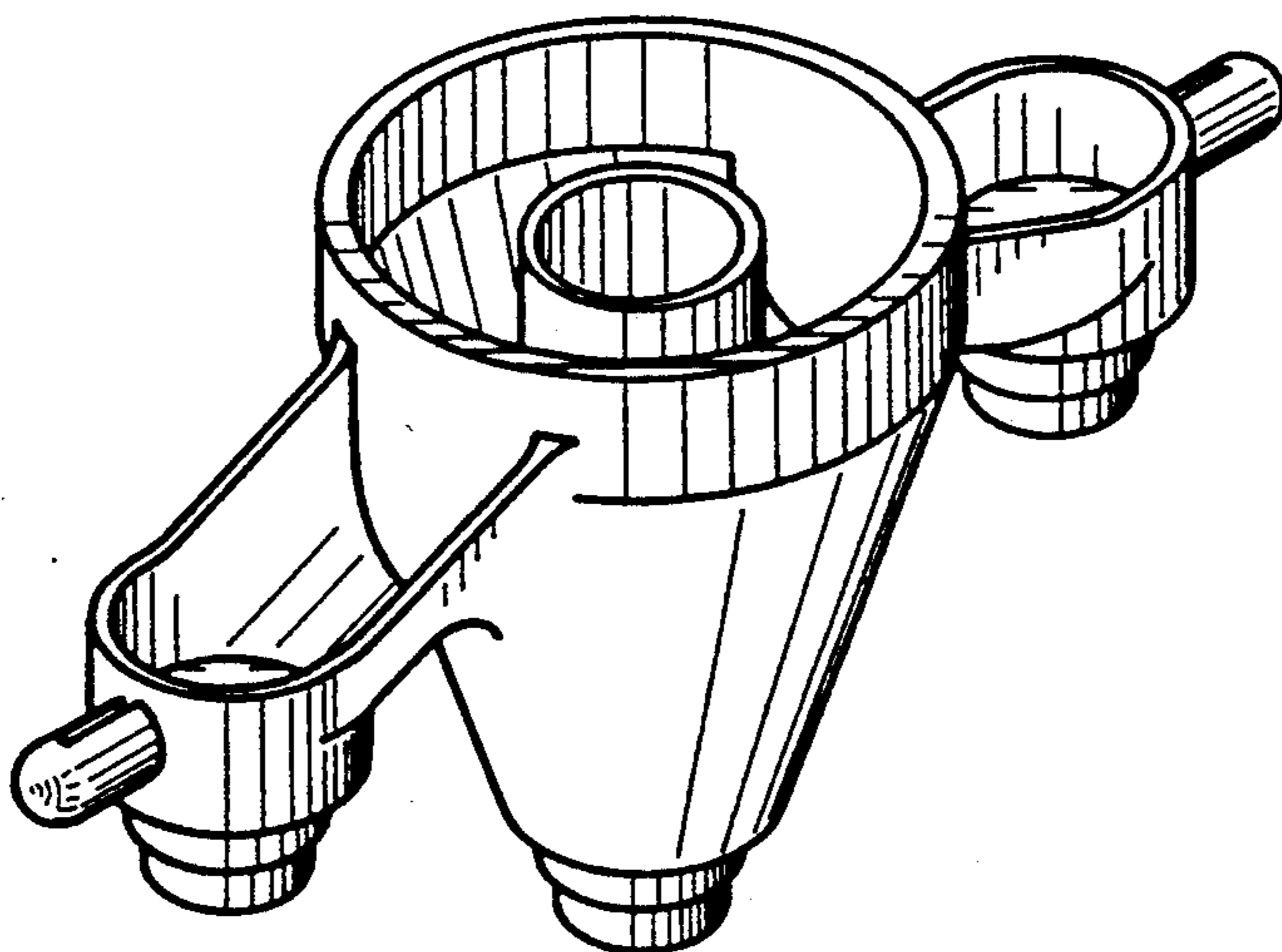


FIG. 2

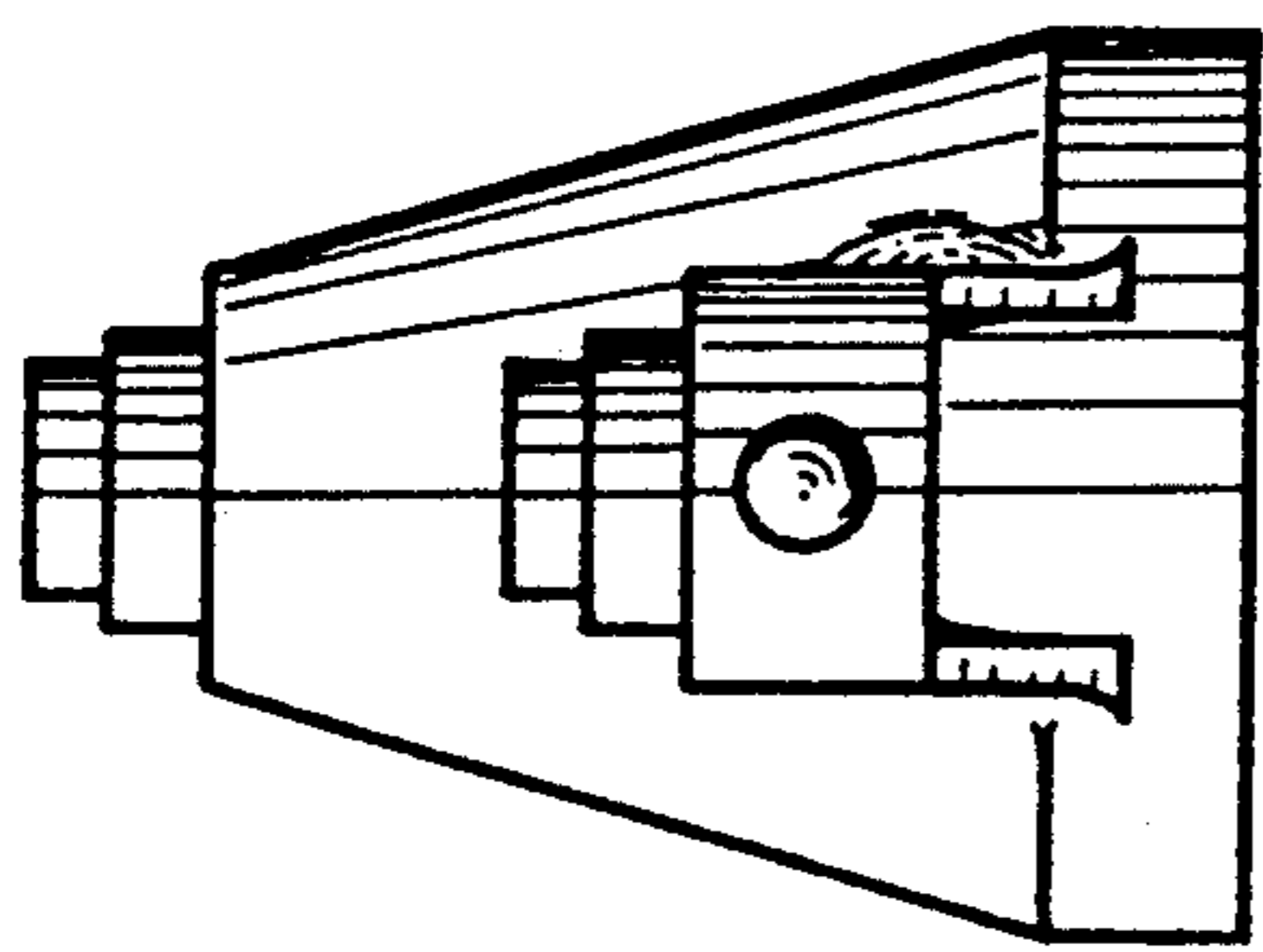


FIG. 4

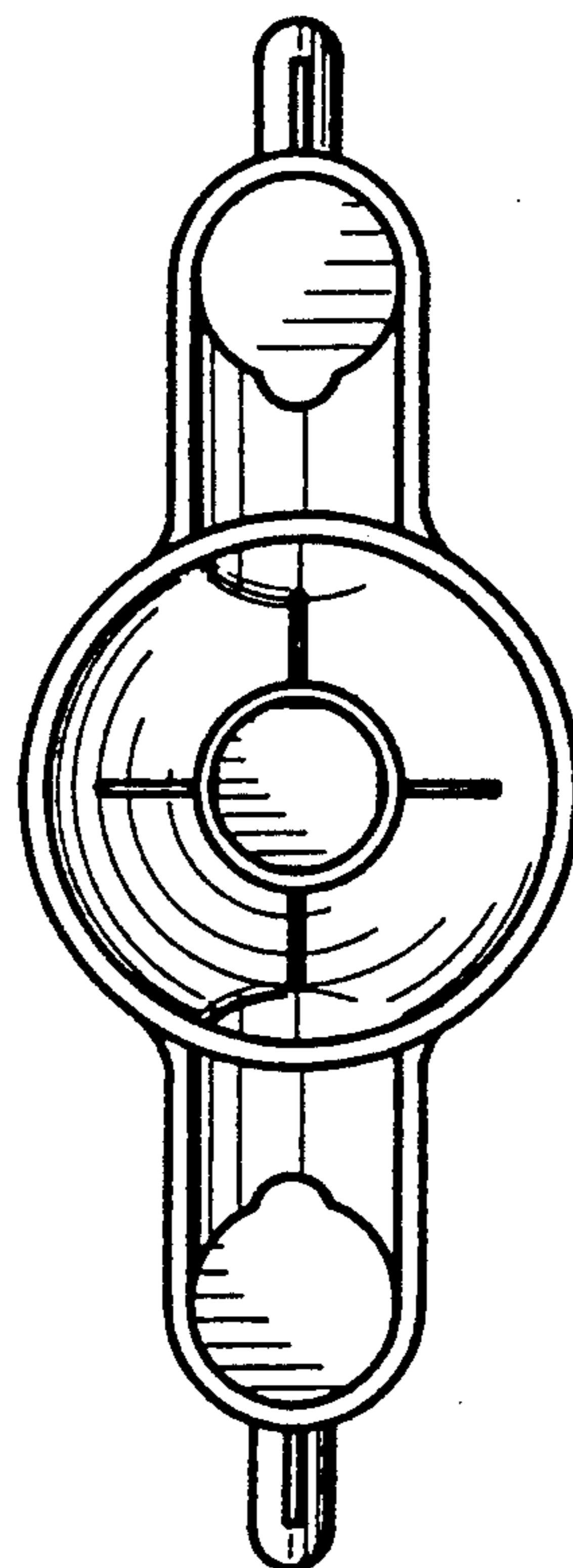


FIG. 6

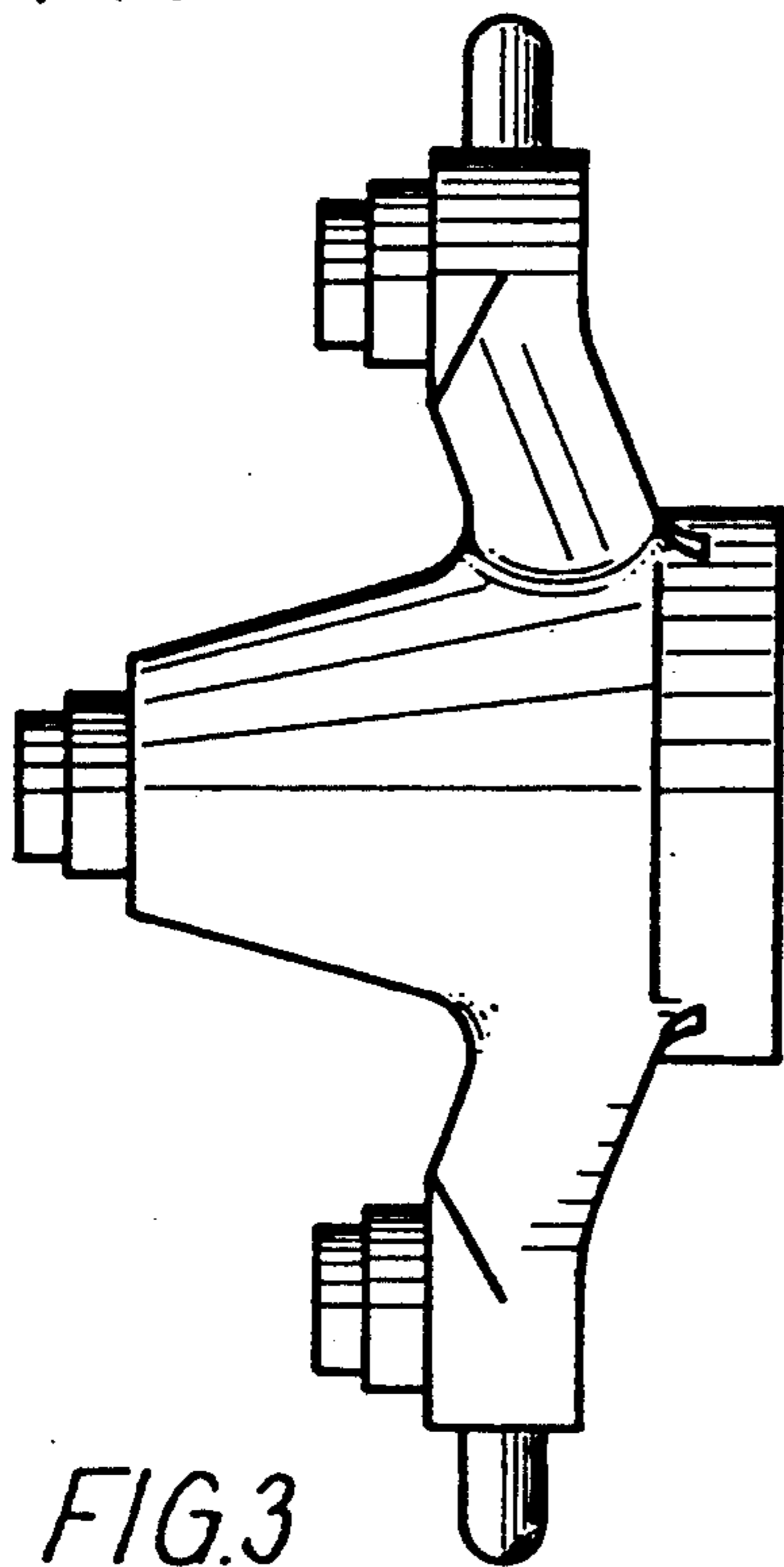


FIG. 3

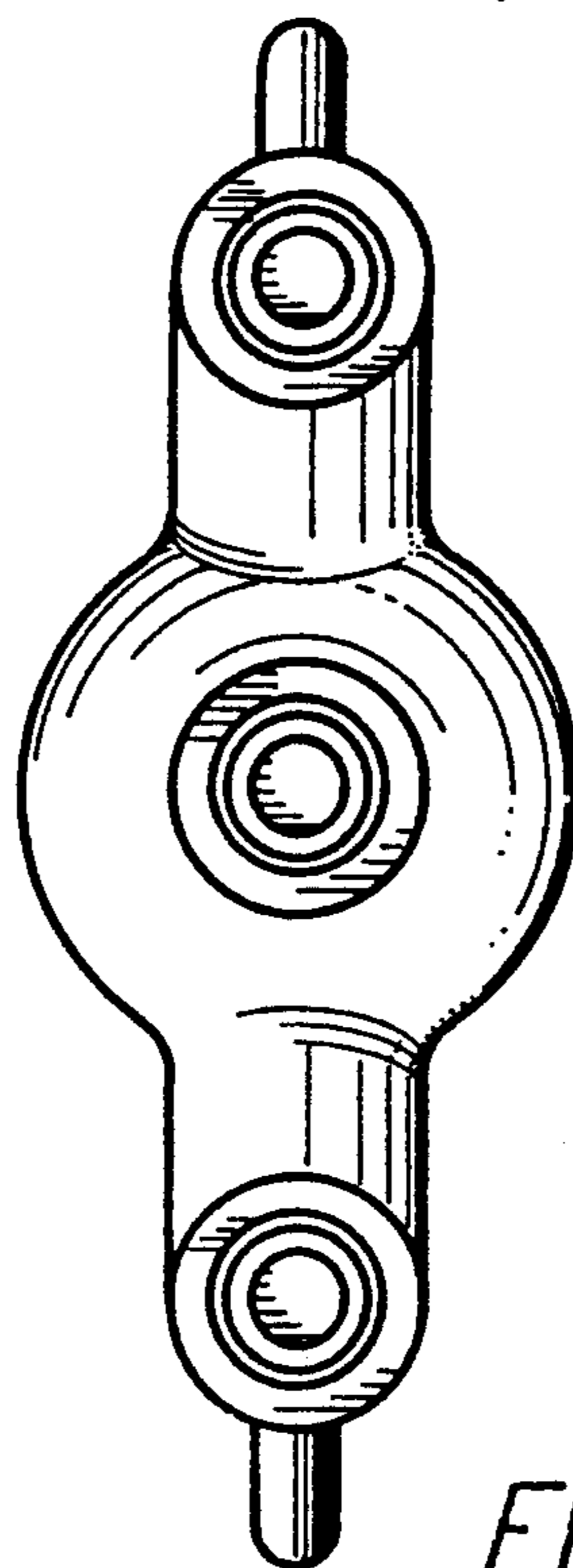


FIG. 5