

[54] TOY CONSTRUCTION ELEMENT

[75] Inventor: Flemming H. Olsen, Espergaerde, Denmark

[73] Assignee: Interlego A.G., Switzerland

[**] Term: 14 Years

[21] Appl. No.: 394,191

[22] Filed: Aug. 15, 1989

[30] Foreign Application Priority Data

Feb. 24, 1989 [DK] Denmark MA02221989

[52] U.S. Cl. D21/108

[58] Field of Search D21/108, 124; 446/120, 446/124, 125, 128, 102, 103, 104

[56] References Cited

U.S. PATENT DOCUMENTS

D. 213,709 4/1969 Gale 446/125
2,486,550 11/1949 Bonkowski 446/124

3,550,311 12/1970 Fouquart 446/102
3,654,726 4/1972 Witte 446/103
4,352,255 10/1982 Warehime 446/124
4,548,590 10/1985 Green 446/120

Primary Examiner—Charles A. Rademaker
Assistant Examiner—R. Barkai
Attorney, Agent, or Firm—Kane, Dalsimer, Sullivan, Kurucz, Levy, Eisele and Richard

[57] CLAIM

The ornamental design for a toy construction element, as shown and described.

DESCRIPTION

FIG. 1 is a top perspective view of a toy construction element showing my new design;
FIG. 2 is a bottom perspective view thereof;
FIG. 3 is a front elevational view thereof;
FIG. 4 is a right side elevational view thereof;
FIG. 5 is a left side elevational view thereof;
FIG. 6 is a rear elevational view thereof; and
FIG. 7 is a top plan view thereof.

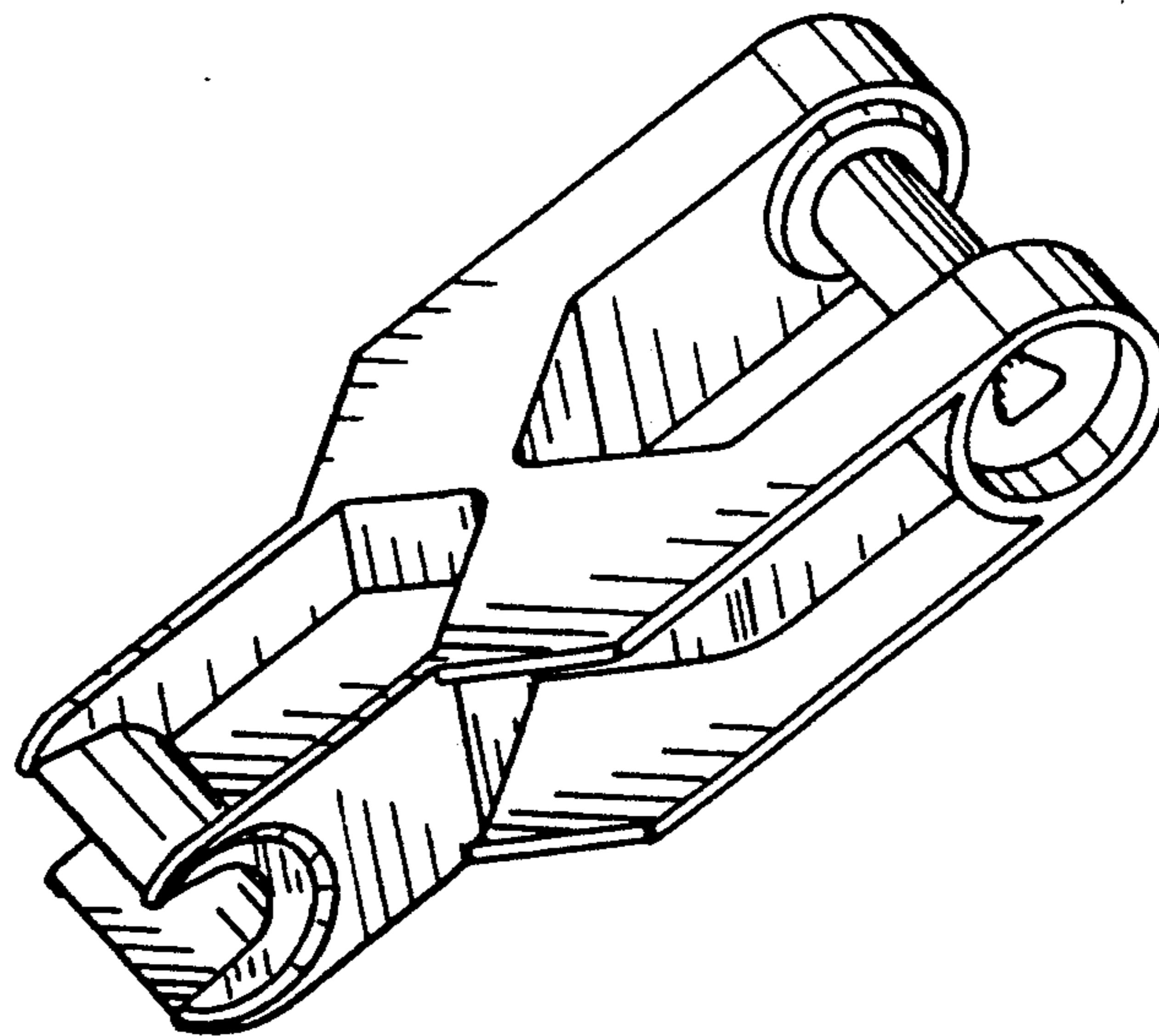


FIG.1

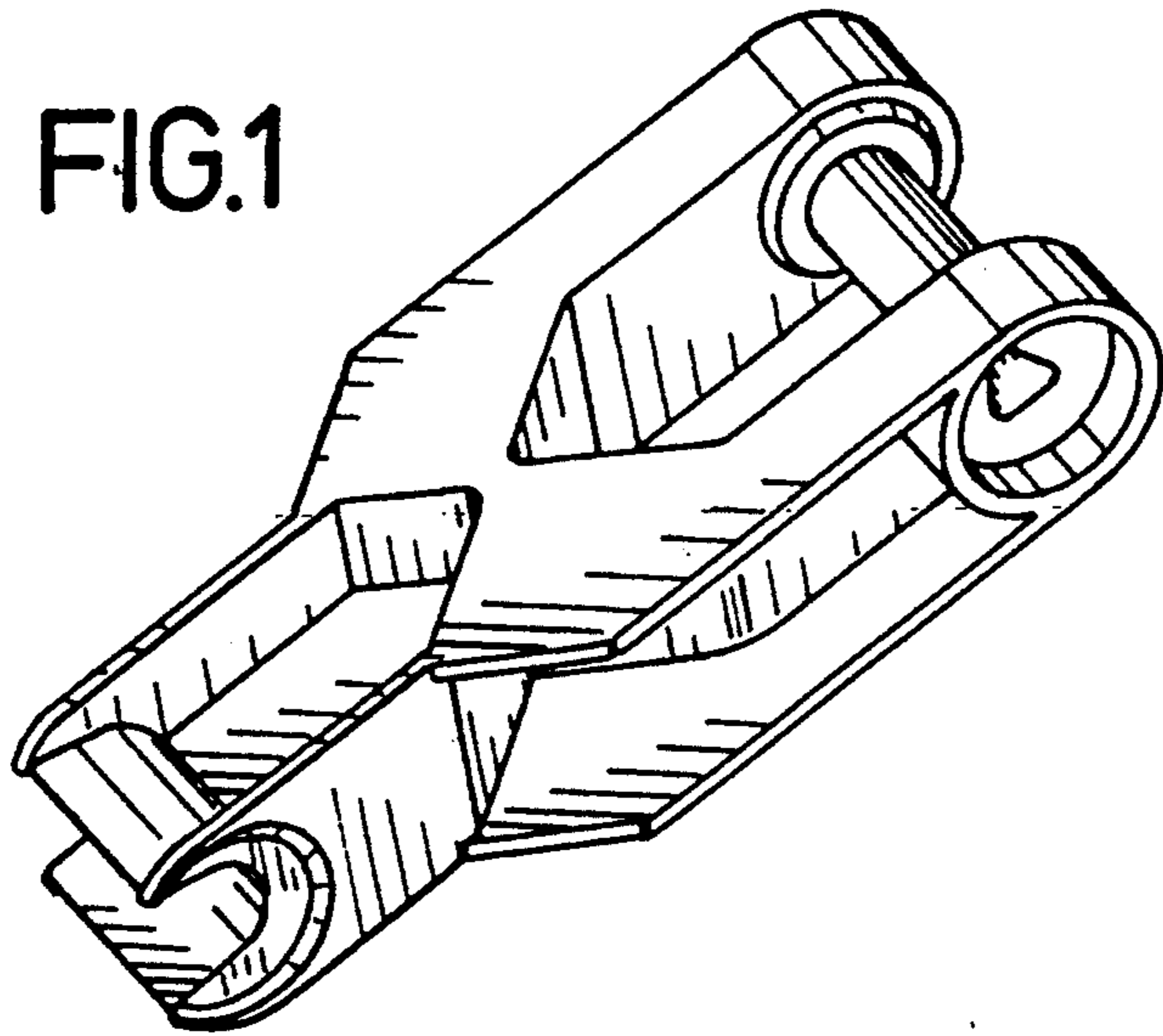


FIG.2

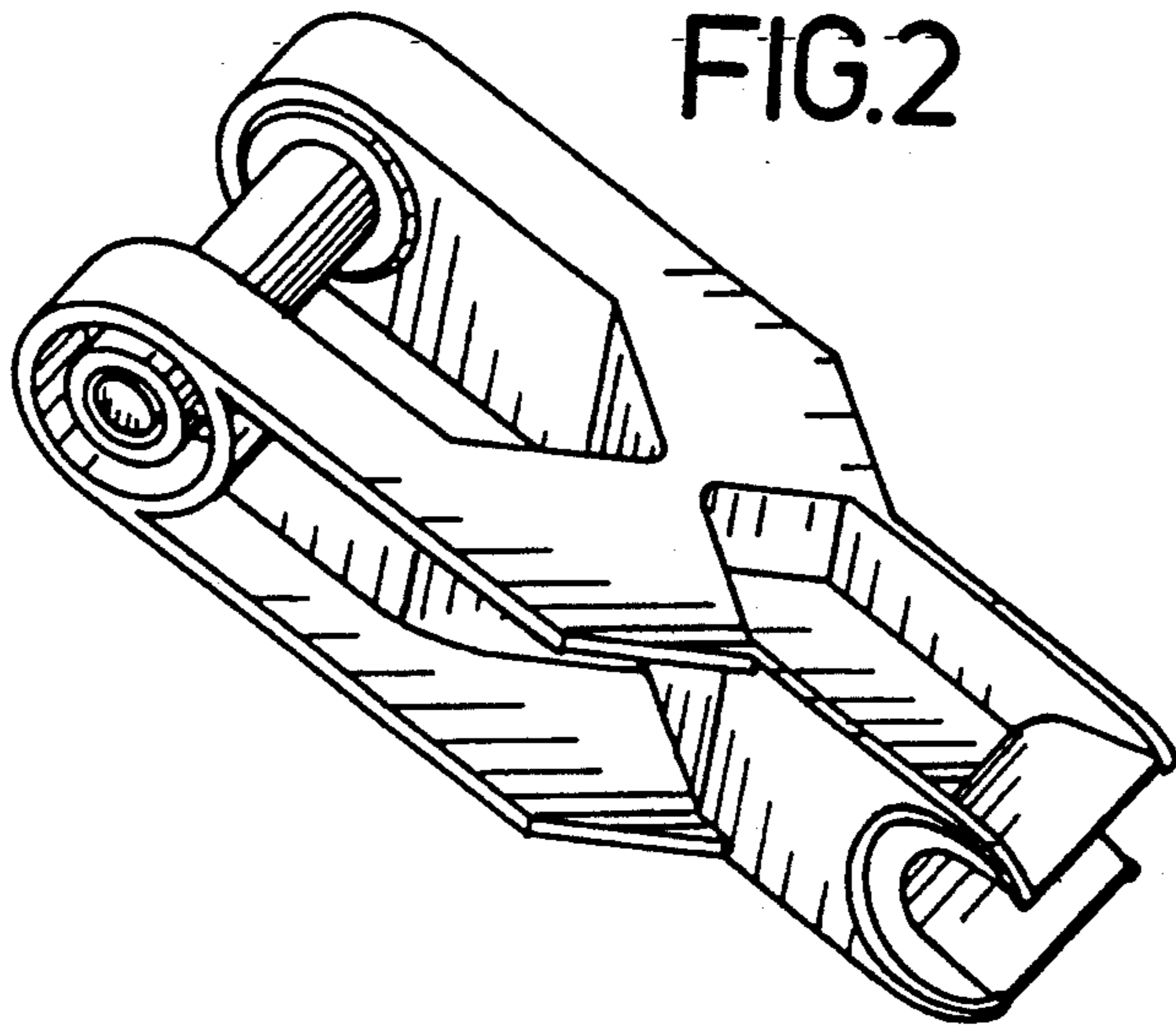


FIG.7

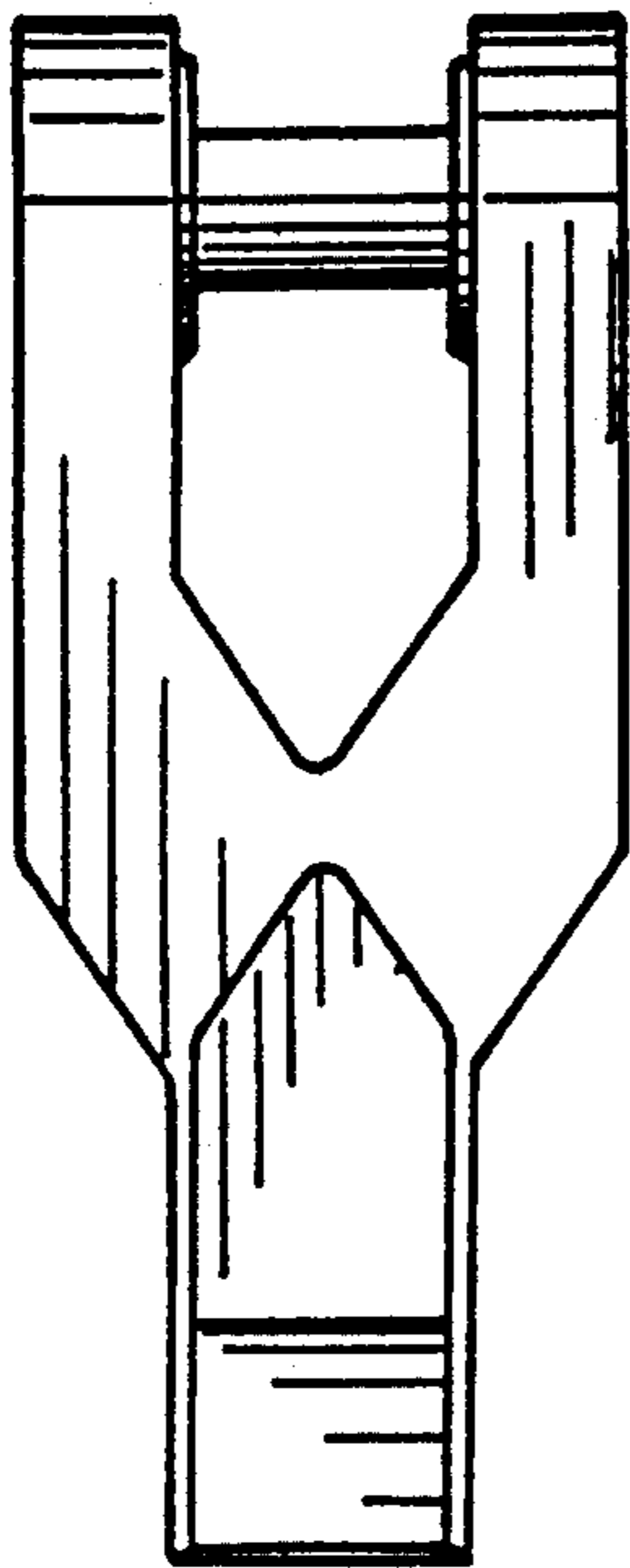


FIG.5

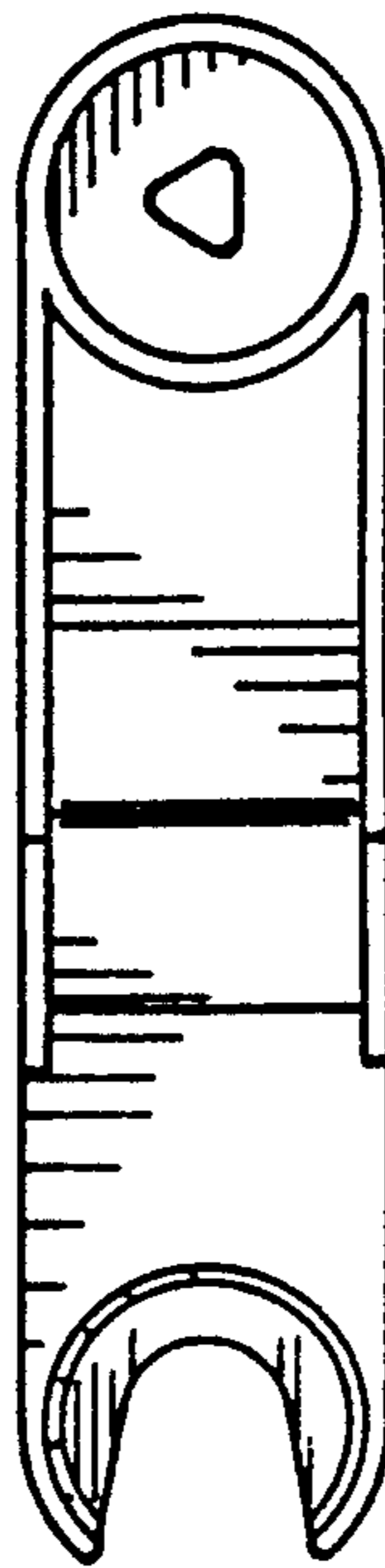


FIG.4

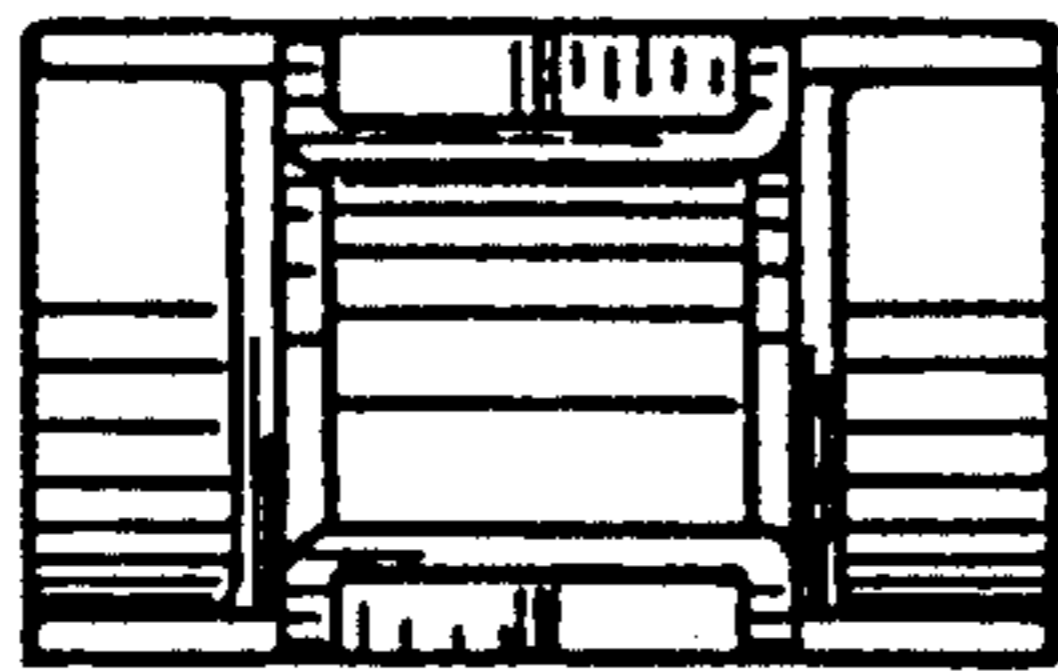
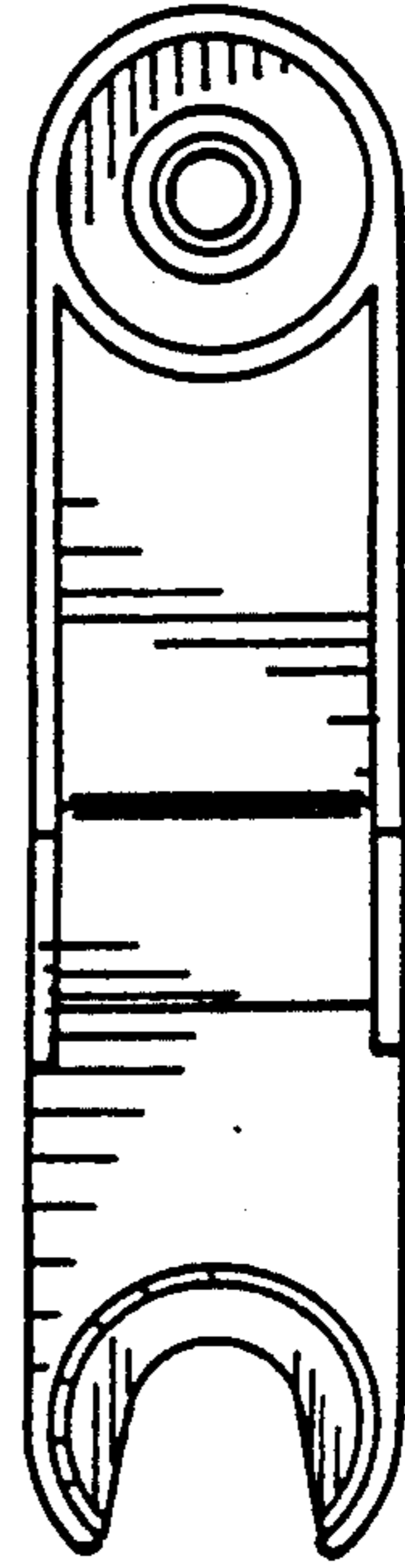


FIG.3

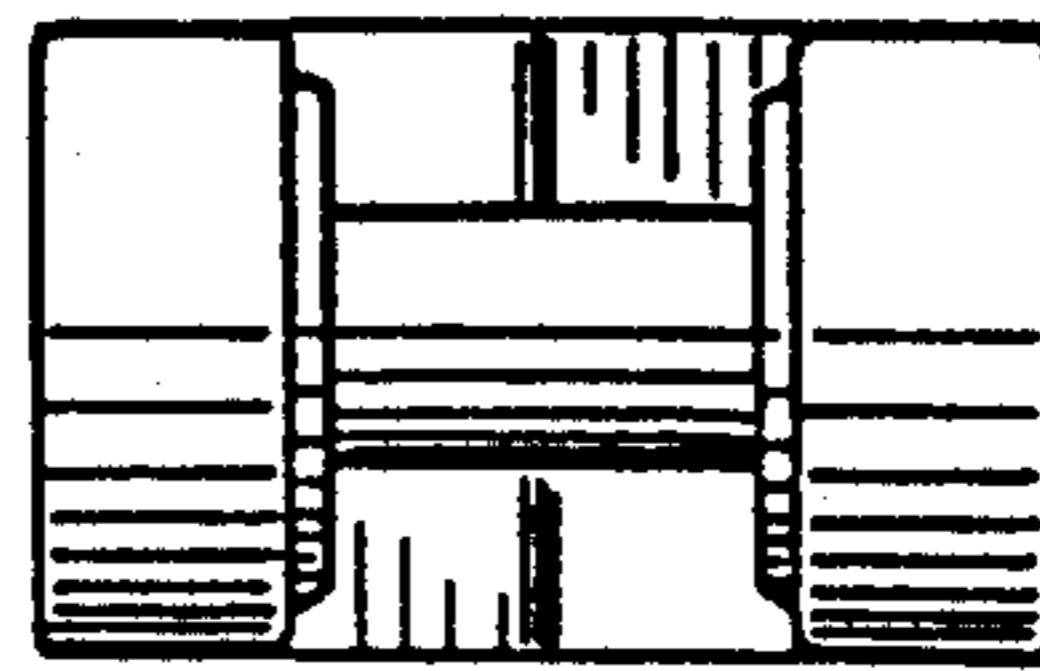


FIG.6