

[54] TOY CONSTRUCTION ELEMENT

[75] Inventor: Flemming H. Olsen, Espergaerde, Denmark

[73] Assignee: Interlego A.G., Switzerland

[**] Term: 14 Years

[21] Appl. No.: 394,190

[22] Filed: Aug. 15, 1989

[30] Foreign Application Priority Data

Feb. 24, 1989 [DK] Denmark MA02221989

[52] U.S. Cl. D21/108

[58] Field of Search D21/108, 124; 446/102, 446/103, 104, 120, 124, 125, 128

[56] References Cited

U.S. PATENT DOCUMENTS

D. 213,709 4/1969 Gale 446/125

2,486,550 11/1949 Bonkowski 446/124
3,654,726 4/1972 Witte 446/103
4,548,590 10/1985 Green 446/120

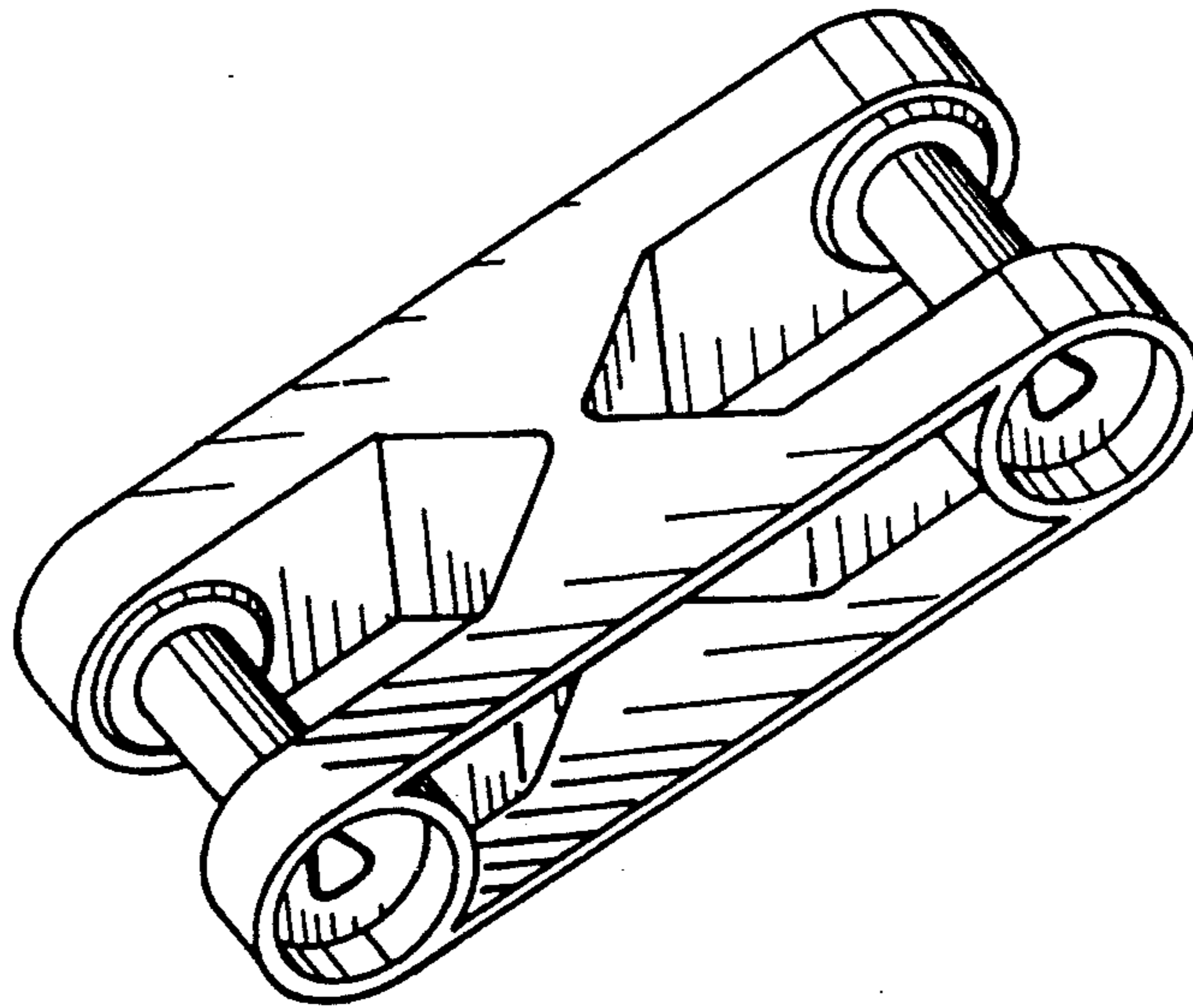
Primary Examiner—Charles A. Rademaker
Assistant Examiner—R. Barkai
Attorney, Agent, or Firm—Kane, Dalsimer, Sullivan, Kurucz, Levy, Eisele and Richard

[57] CLAIM

The ornamental design for a toy construction element, as shown and described.

DESCRIPTION

FIG. 1 is a top perspective view of a toy construction element showing my new design;
FIG. 2 is a bottom perspective view thereof;
FIG. 3 is a front elevational view thereof, the rear elevational view being identical;
FIG. 4 is a right side elevational view thereof;
FIG. 5 is a left side elevational view thereof; and,
FIG. 6 is a top plan view thereof.



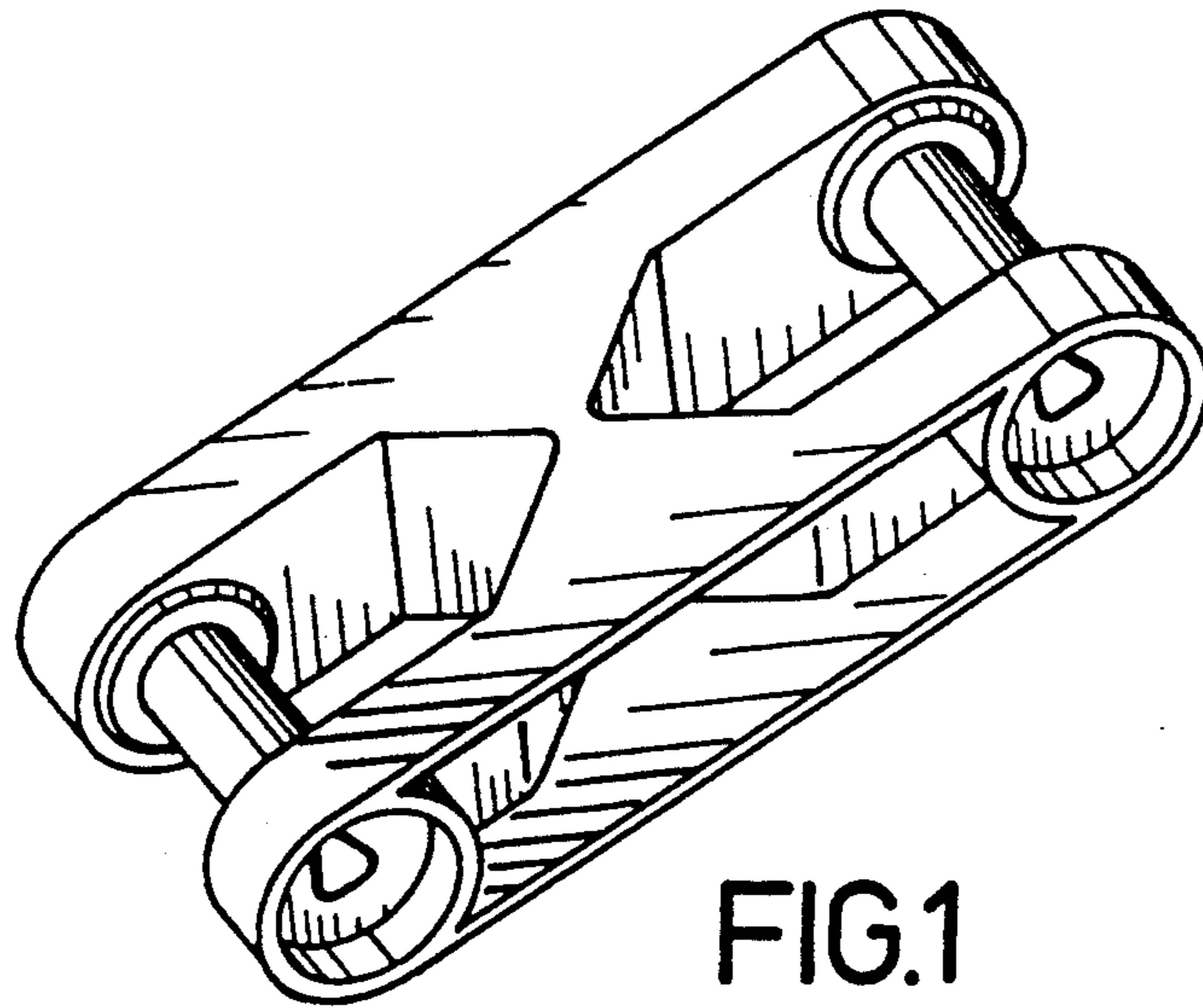


FIG.1

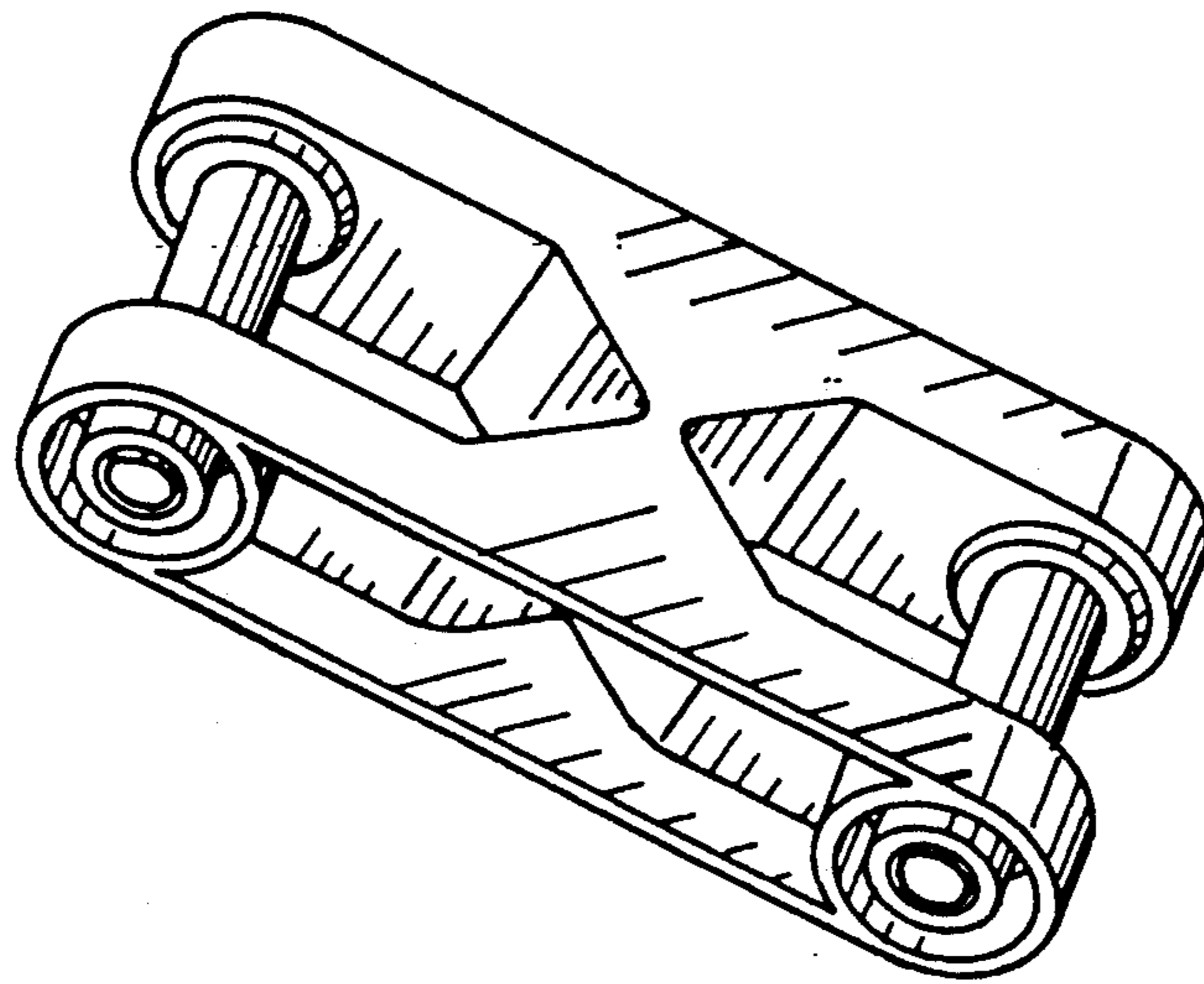


FIG.2

FIG.3

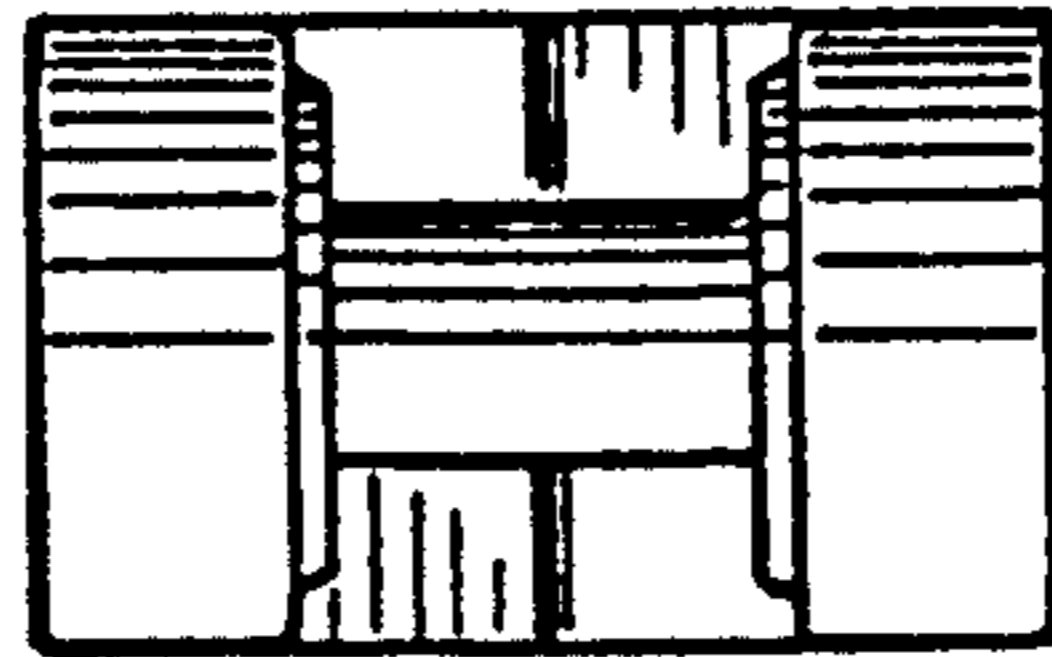


FIG.4



FIG.5

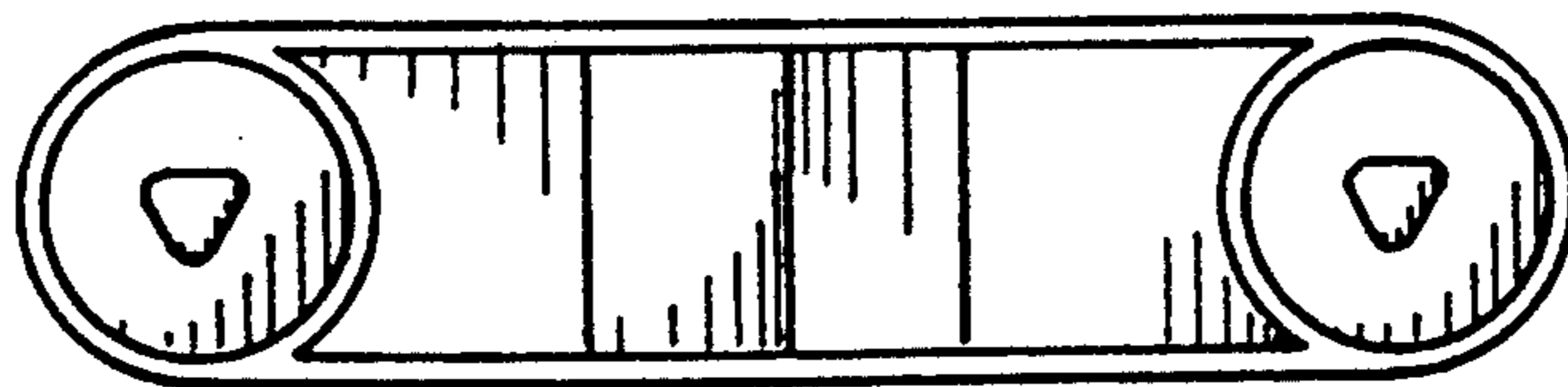


FIG.6

