

[54] ORGANIZER FOR A PLURALITY OF ARTICLES

[76] Inventor: Janet A. Willie, 1226 Park La., Texas City, Tex. 77590

[**] Term: 14 Years

[21] Appl. No.: 123,665

[22] Filed: Nov. 20, 1987

[52] U.S. Cl. D19/75; D19/77; D19/78; D19/92; D19/95

[58] Field of Search D9/423; D19/35, 36, D19/65, 75, 77, 78, 79, 81, 83, 84, 85, 86, 91, 92, 95, 100; 206/214, 215, 425, 371; 211/69.1-69.9

[56] References Cited

U.S. PATENT DOCUMENTS

- D. 151,343 10/1948 Greger D19/75
- D. 196,890 11/1963 Garner D19/78
- D. 231,141 4/1974 Cripe D19/85

- D. 267,332 12/1982 Pirovano et al. D19/85
- D. 280,739 9/1985 Wang D19/77
- D. 292,877 11/1987 Grunhut D9/423
- 2,078,557 4/1937 Bjorkman .
- 2,182,200 12/1939 Donaldson .
- 4,533,051 8/1985 Fleming .

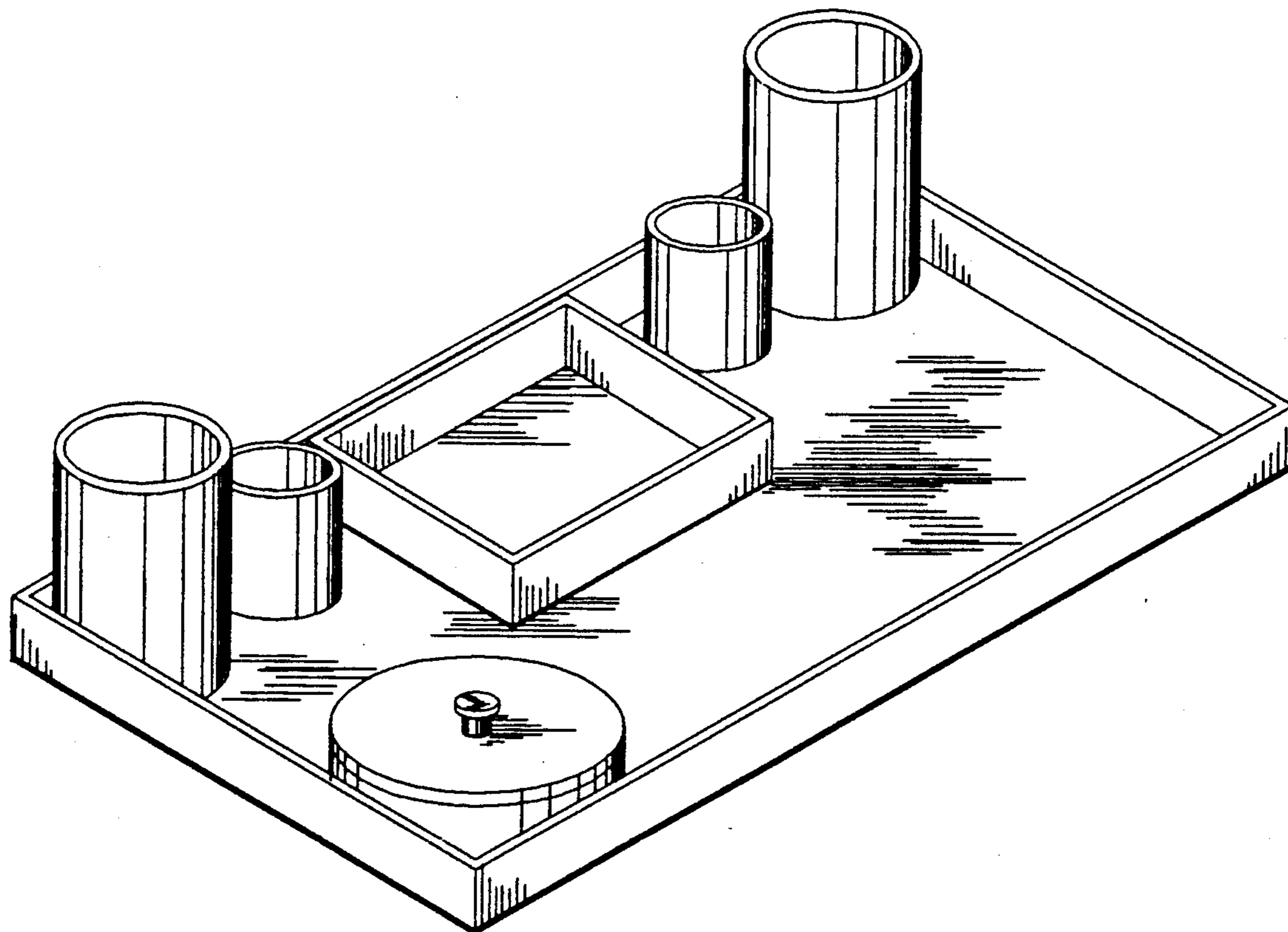
Primary Examiner—Bruce W. Dunkins
Assistant Examiner—Martha Thompson
Attorney, Agent, or Firm—Delmar L. Sroufe

[57] CLAIM

The ornamental design for an organizer for a plurality of articles, as shown and described.

DESCRIPTION

FIG. 1 is a top, left front perspective view of an organizer for a plurality of articles showing my new design; FIG. 2 is a front elevational view; FIG. 3 is a rear elevational view; FIG. 4 is a bottom plan view; and FIG. 5 is a right elevational view thereof.



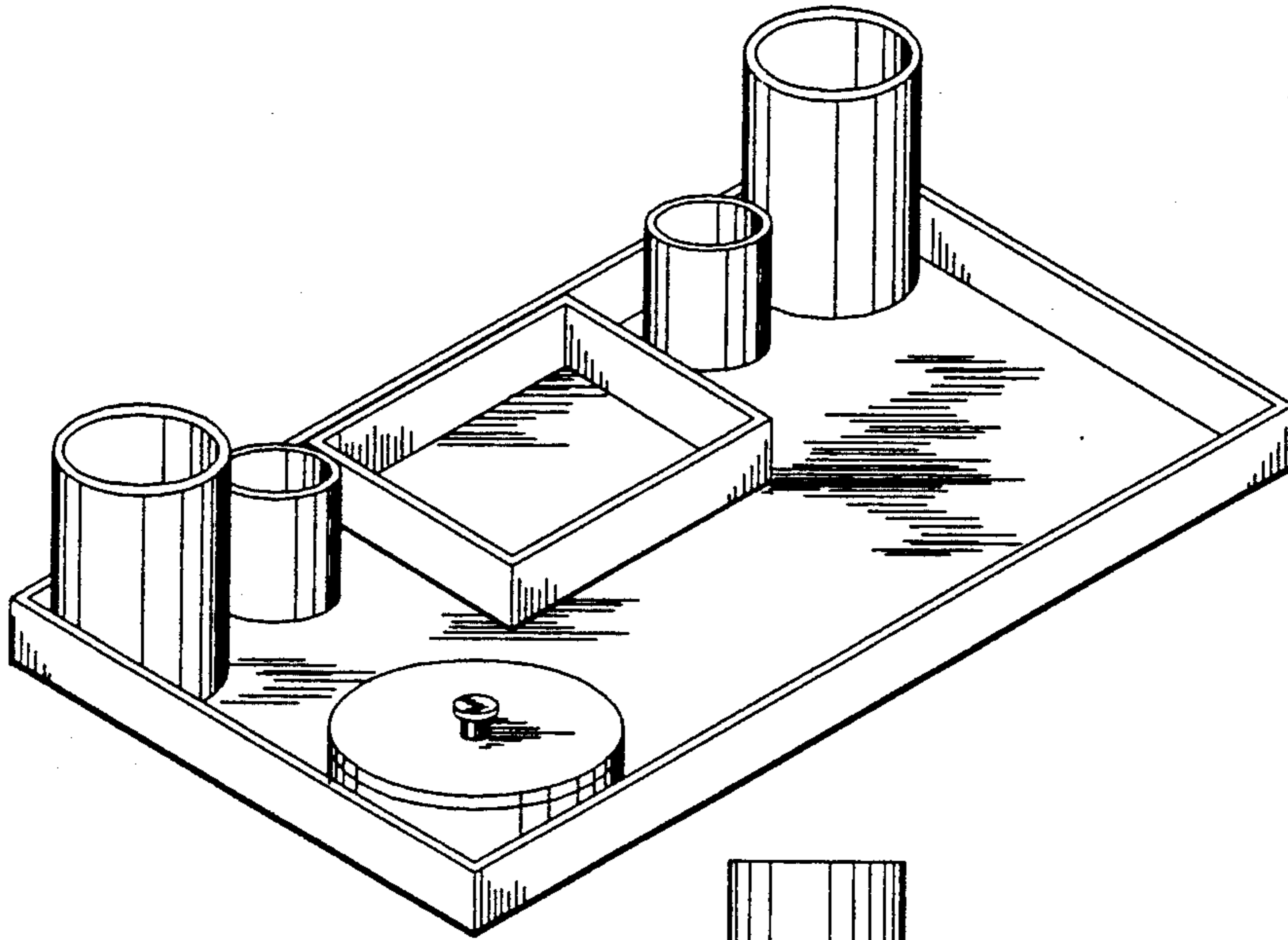


FIG. 1



FIG. 2

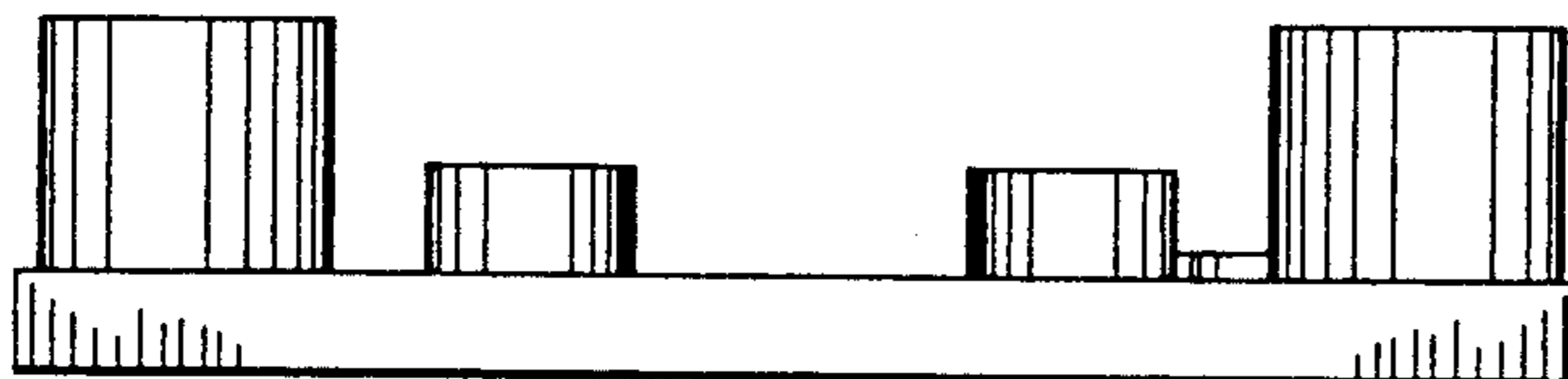


FIG. 3

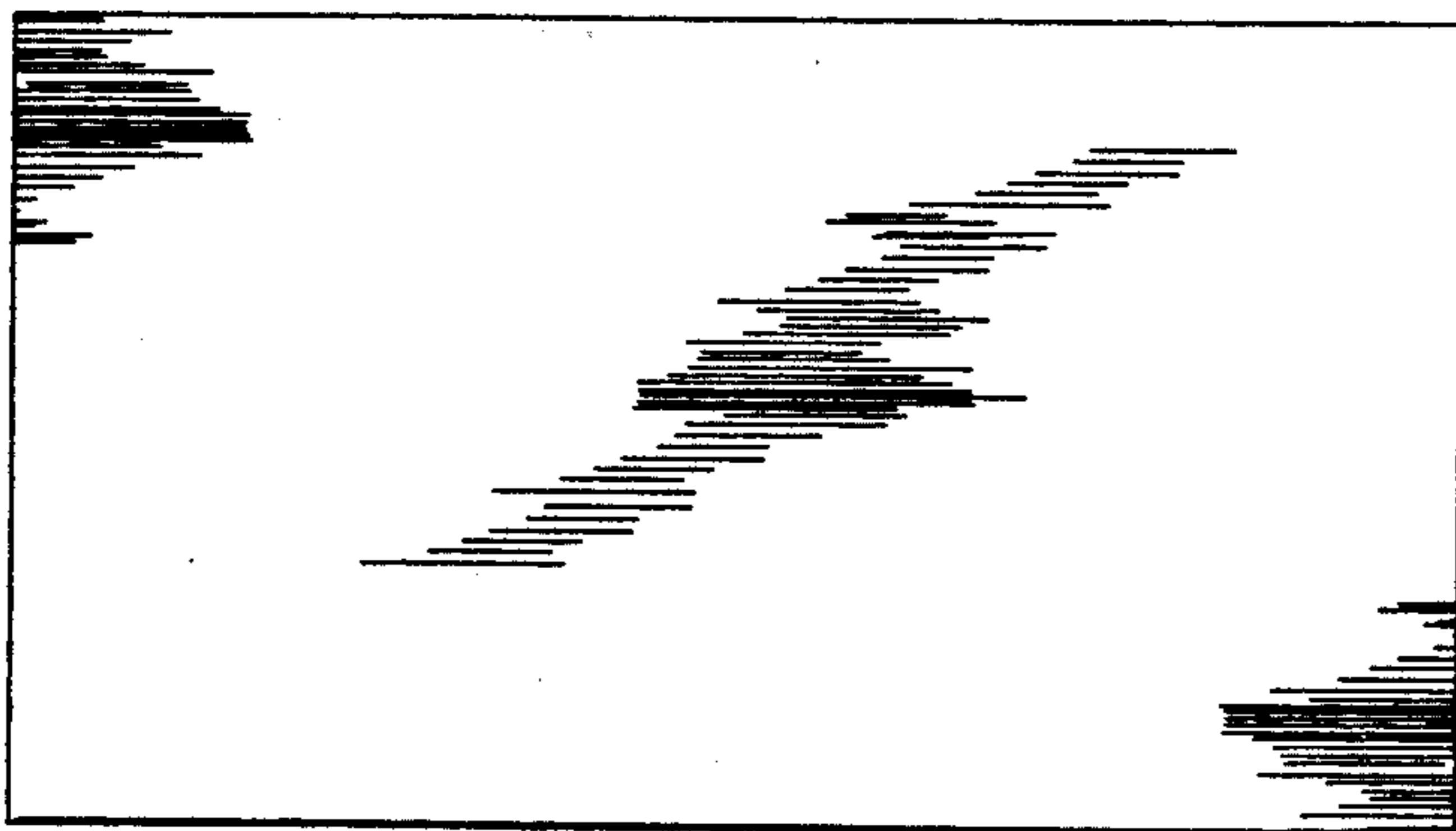


FIG. 4

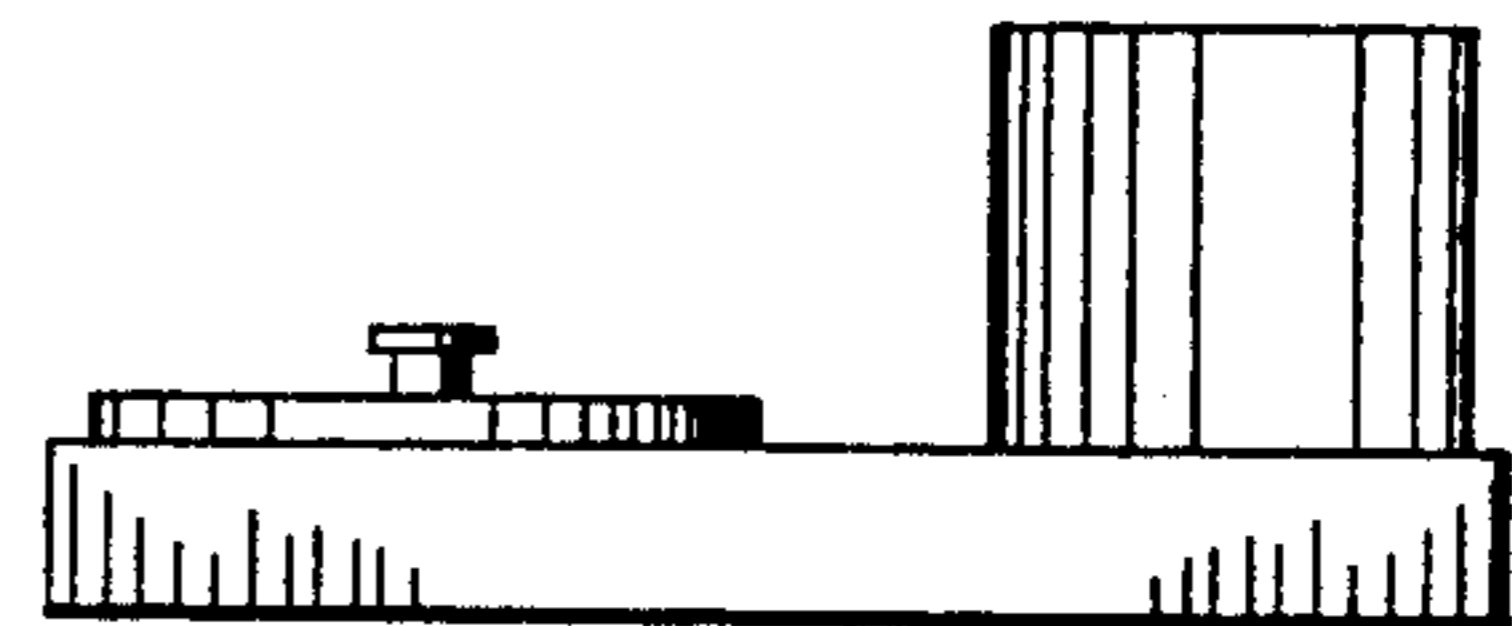


FIG. 5