

[54] CAMERA WITH LCD TELEVISION AND VIDEO TAPE RECORDER

[75] Inventors: Hiroshi Ooi; Fumitoshi Sakata; Sho Okamura, all of Osaka, Japan

[73] Assignee: Sharp Corporation, Osaka, Japan

[\*\*] Term: 14 Years

[21] Appl. No.: 274,948

[22] Filed: Nov. 22, 1988

[30] Foreign Application Priority Data

May 26, 1988 [JP] Japan ..... 63-20782  
[52] U.S. Cl. .... D16/202  
[58] Field of Search ..... D16/200, 202, 205, 208;  
352/34, 242, 243; 354/82, 293; 358/229, 906

[56] References Cited

U.S. PATENT DOCUMENTS

D. 288,812 3/1987 Miyashita ..... D16/202  
D. 289,157 4/1987 Inai et al. .... D16/202  
D. 293,784 1/1988 Miyashita et al. .... D16/202  
D. 294,574 3/1988 Takanaga et al. .... D16/202

FOREIGN PATENT DOCUMENTS

59-127483 7/1984 Japan ..... 358/229

OTHER PUBLICATIONS

Modern Photography, 8/1987, p. 112 (Chinon Camera CV-T70).  
Video Review, 3/1986, p. 31.

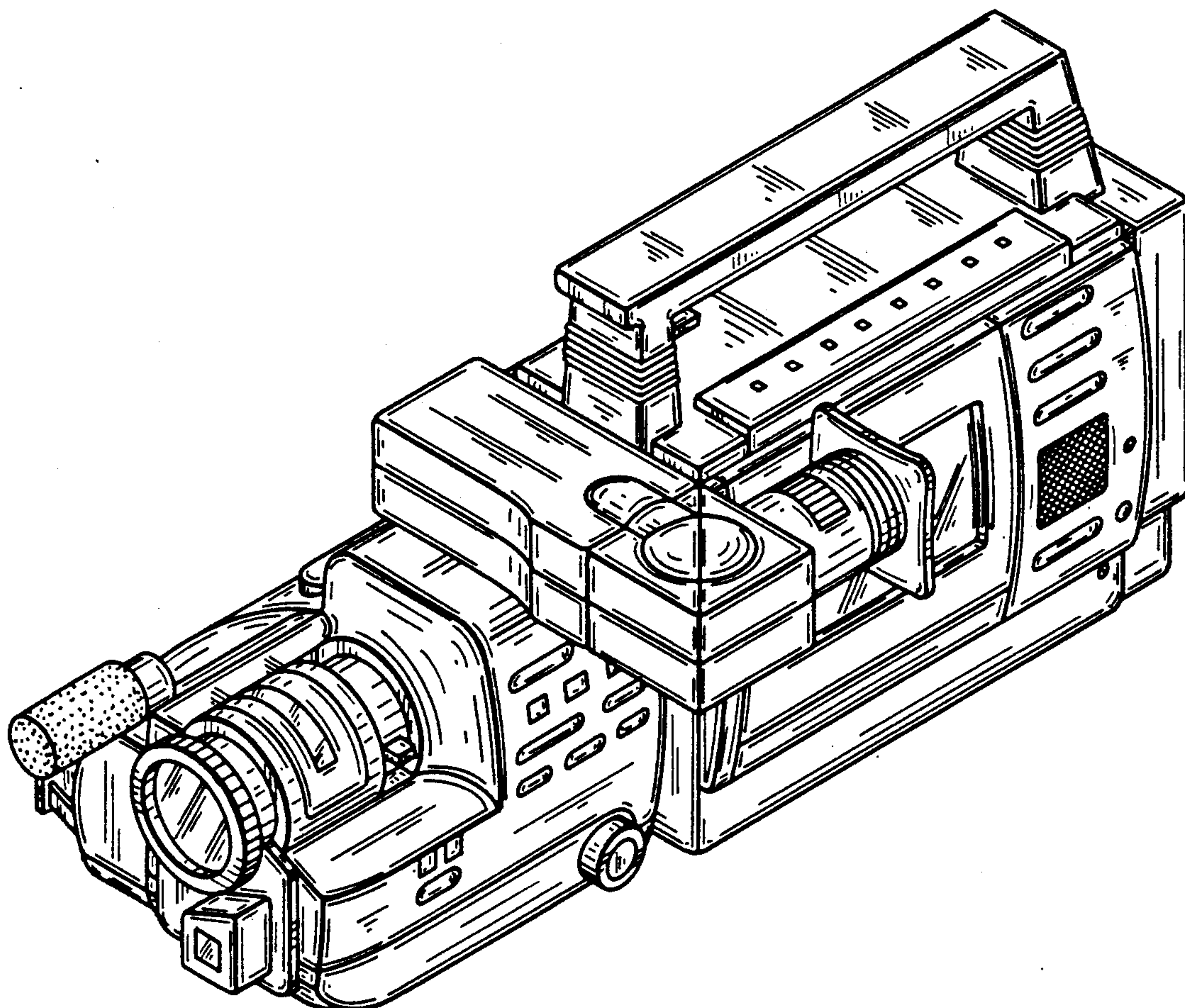
Primary Examiner—Bernard Ansher  
Assistant Examiner—Adir Aronovich  
Attorney, Agent, or Firm—Flehr, Hohbach, Test, Albritton & Herbert

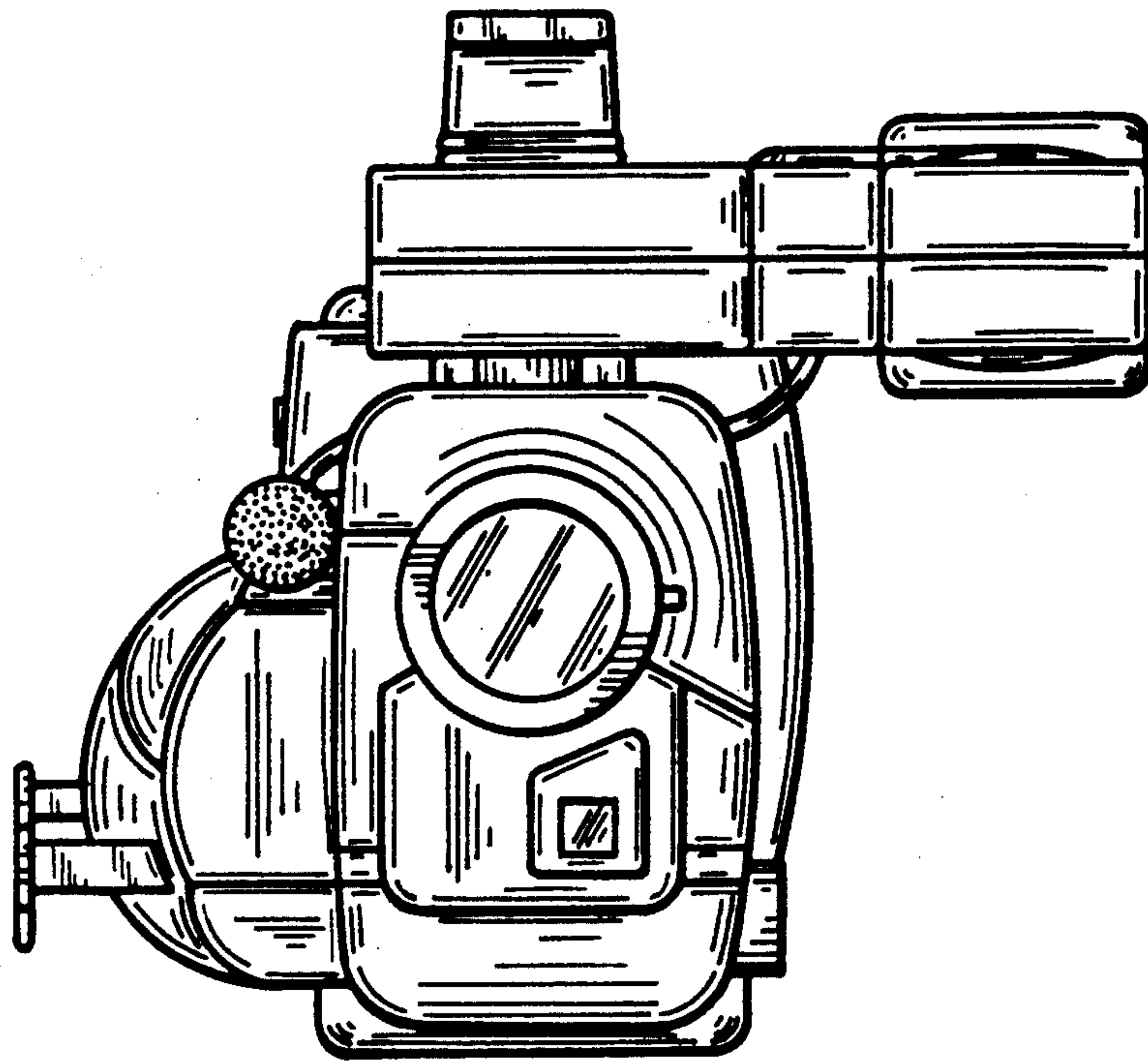
[57] CLAIM

The ornamental design for a camera with LCD television and video tape recorder, shown and described.

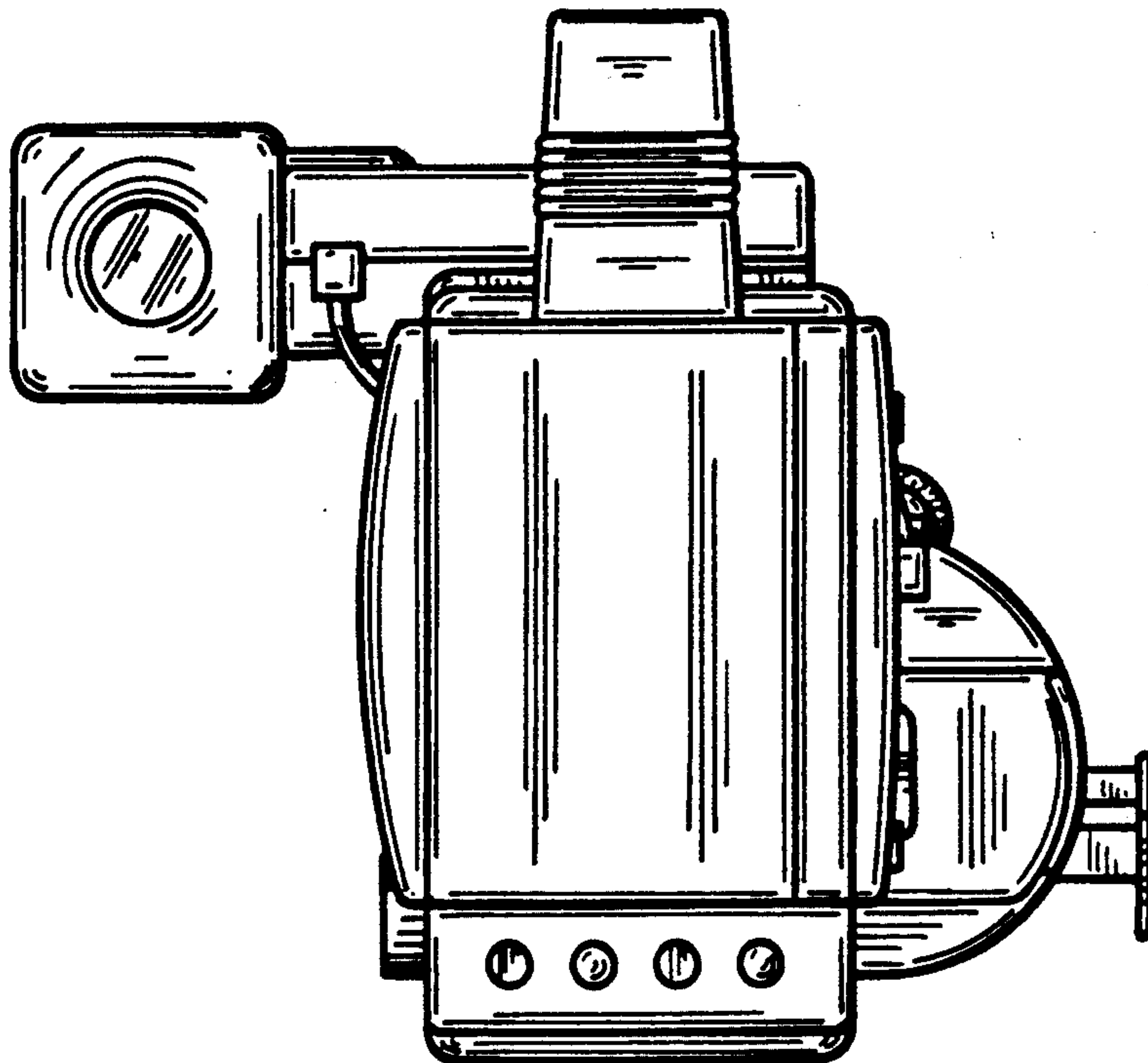
DESCRIPTION

FIG. 1 is a front elevational view of the camera with LCD television and video tape recorder showing the new design;  
FIG. 2 is a rear elevational view thereof;  
FIG. 3 is a right side elevational view thereof;  
FIG. 4 is a left side elevational view thereof;  
FIG. 5 is a top plan view thereof; and  
FIG. 6 is a bottom plan view thereof;  
FIG. 7 is a top, front perspective view thereof;  
FIG. 8 is a rear bottom perspective view thereof.





**FIG\_1**



**FIG\_2**



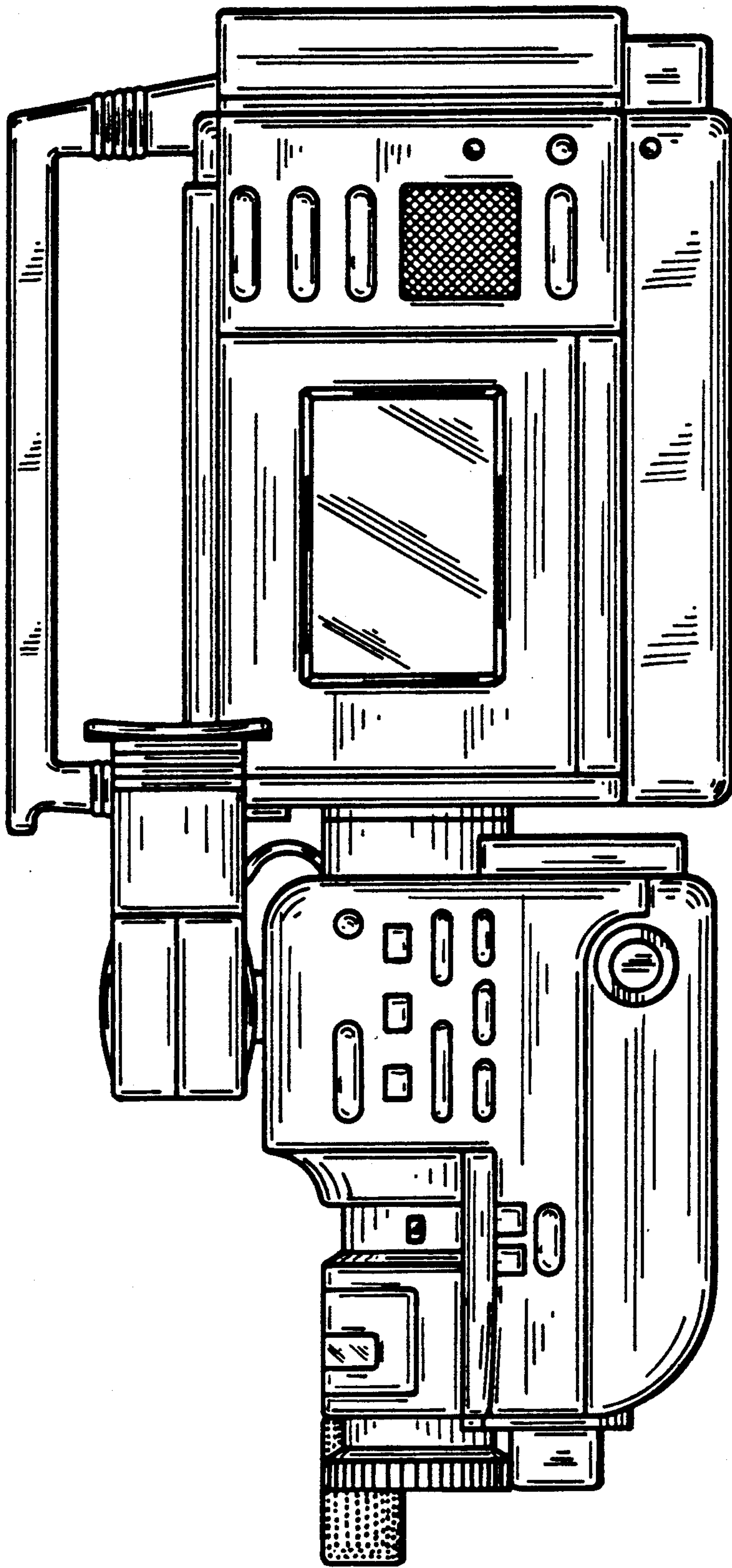


FIG-3

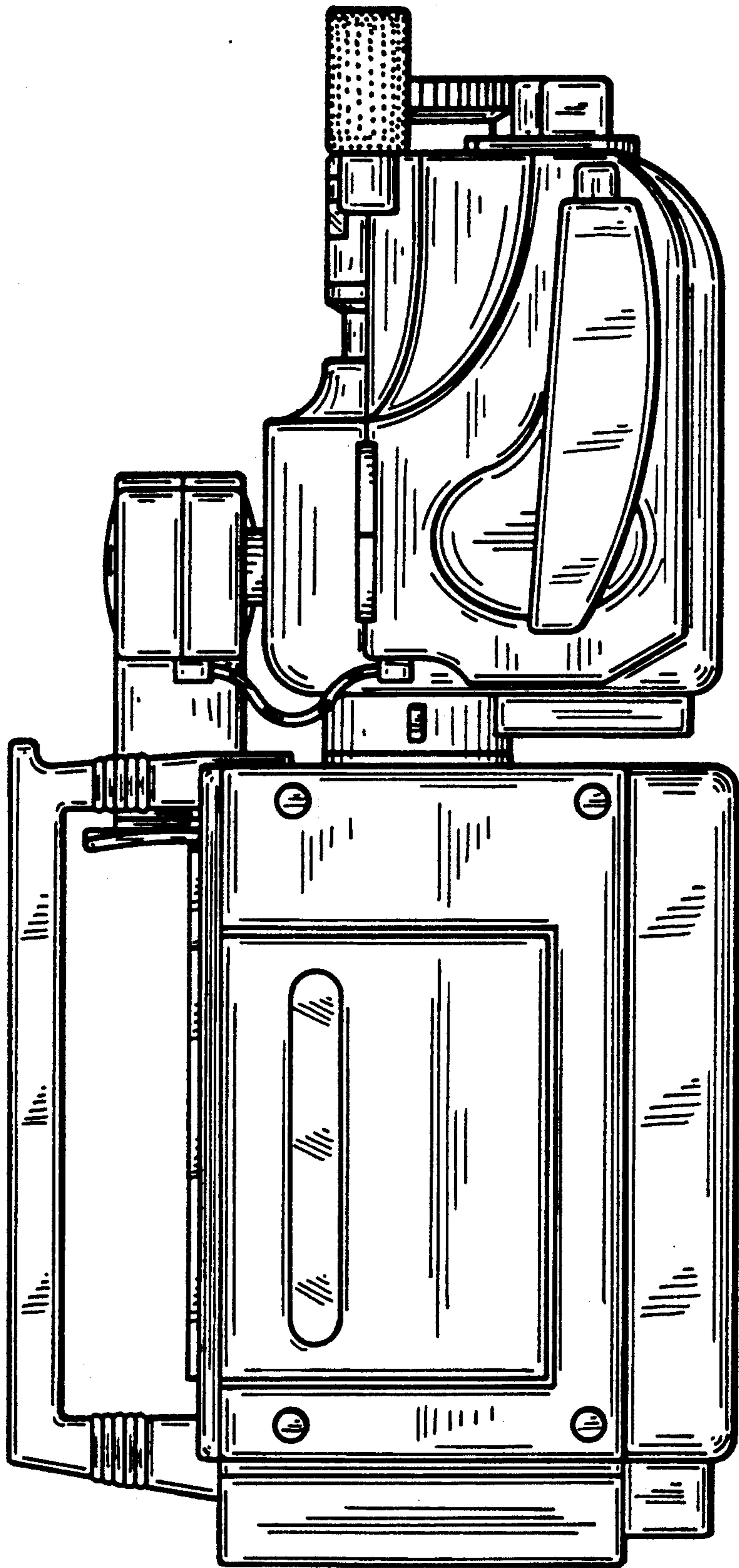
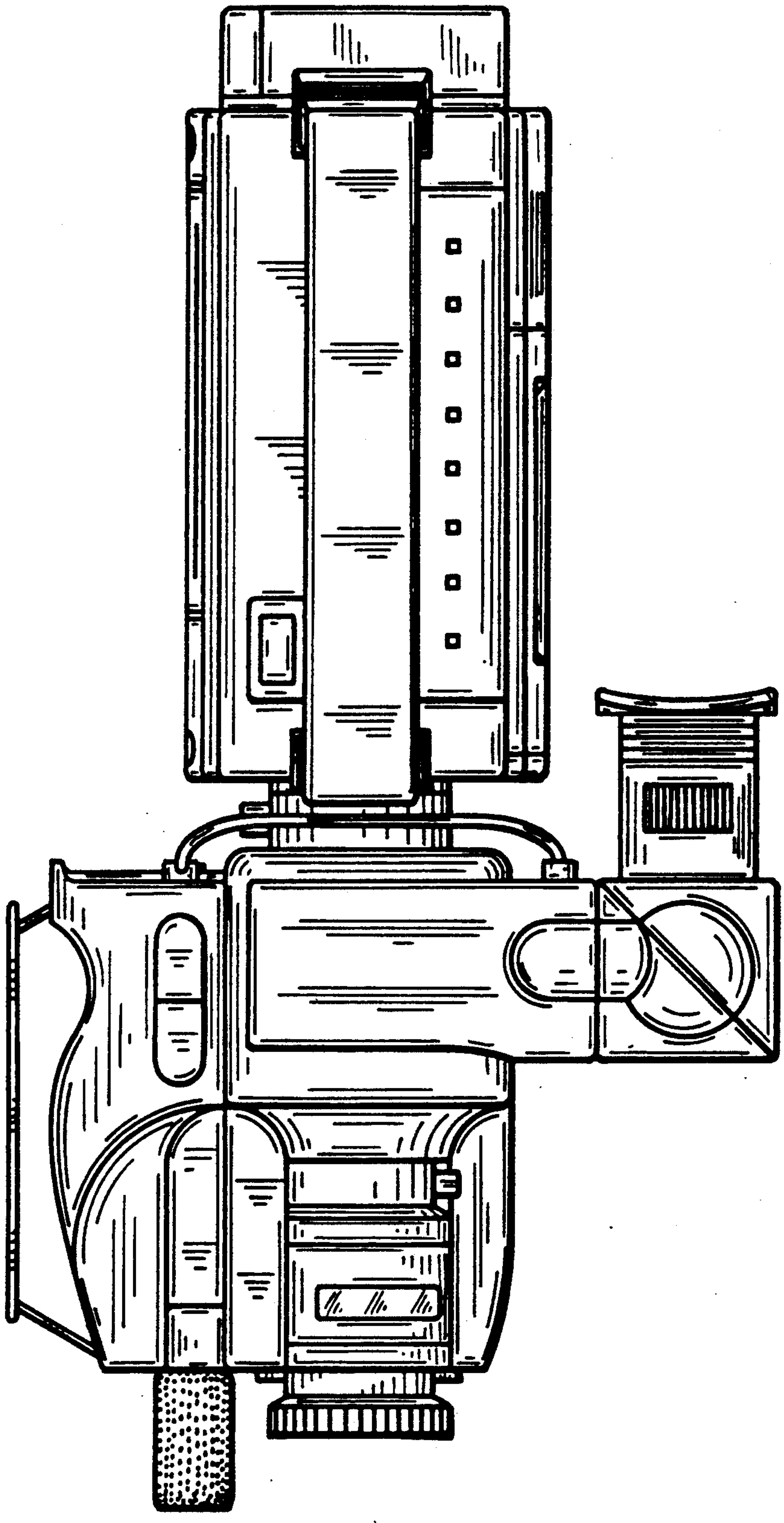
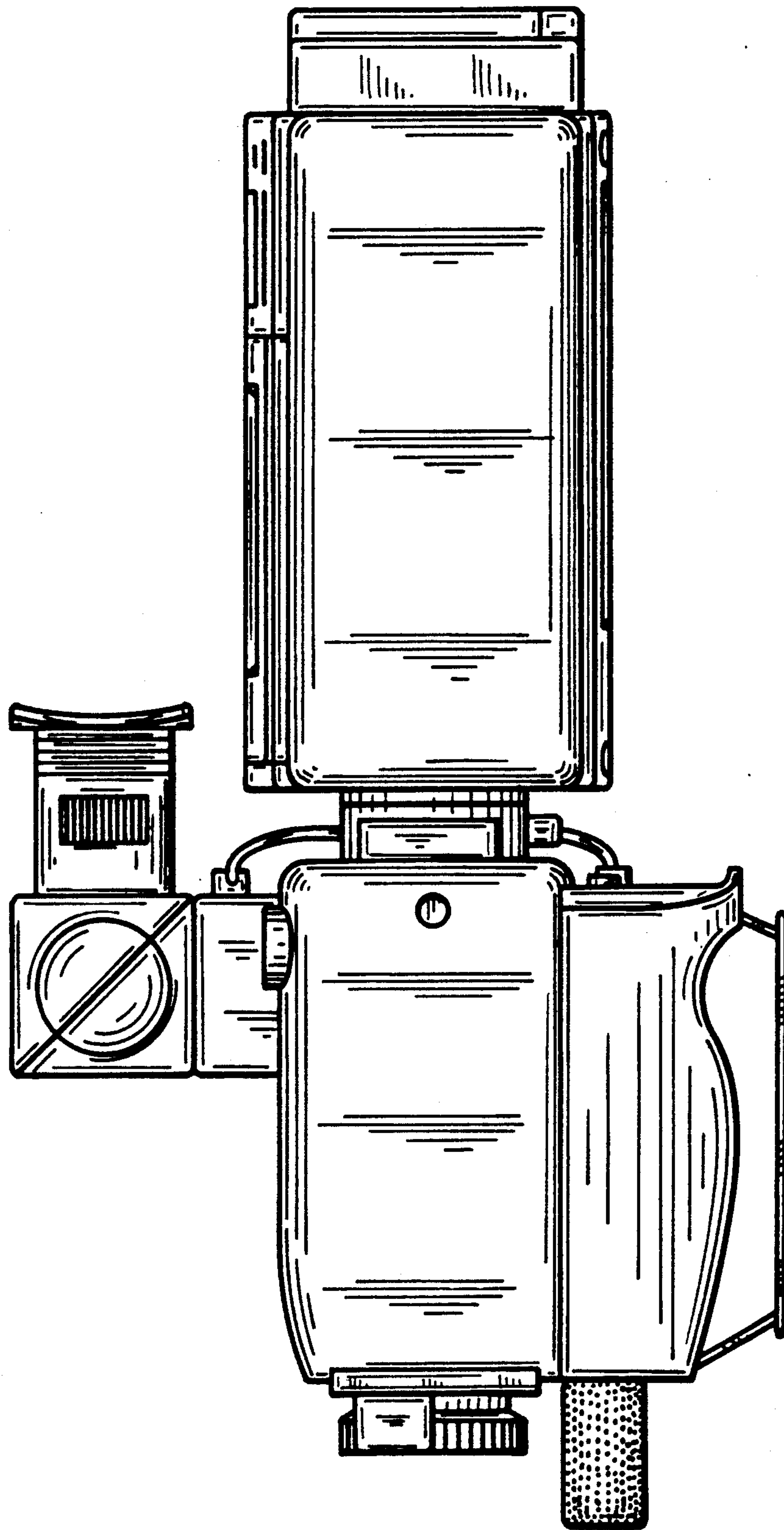


FIG-4

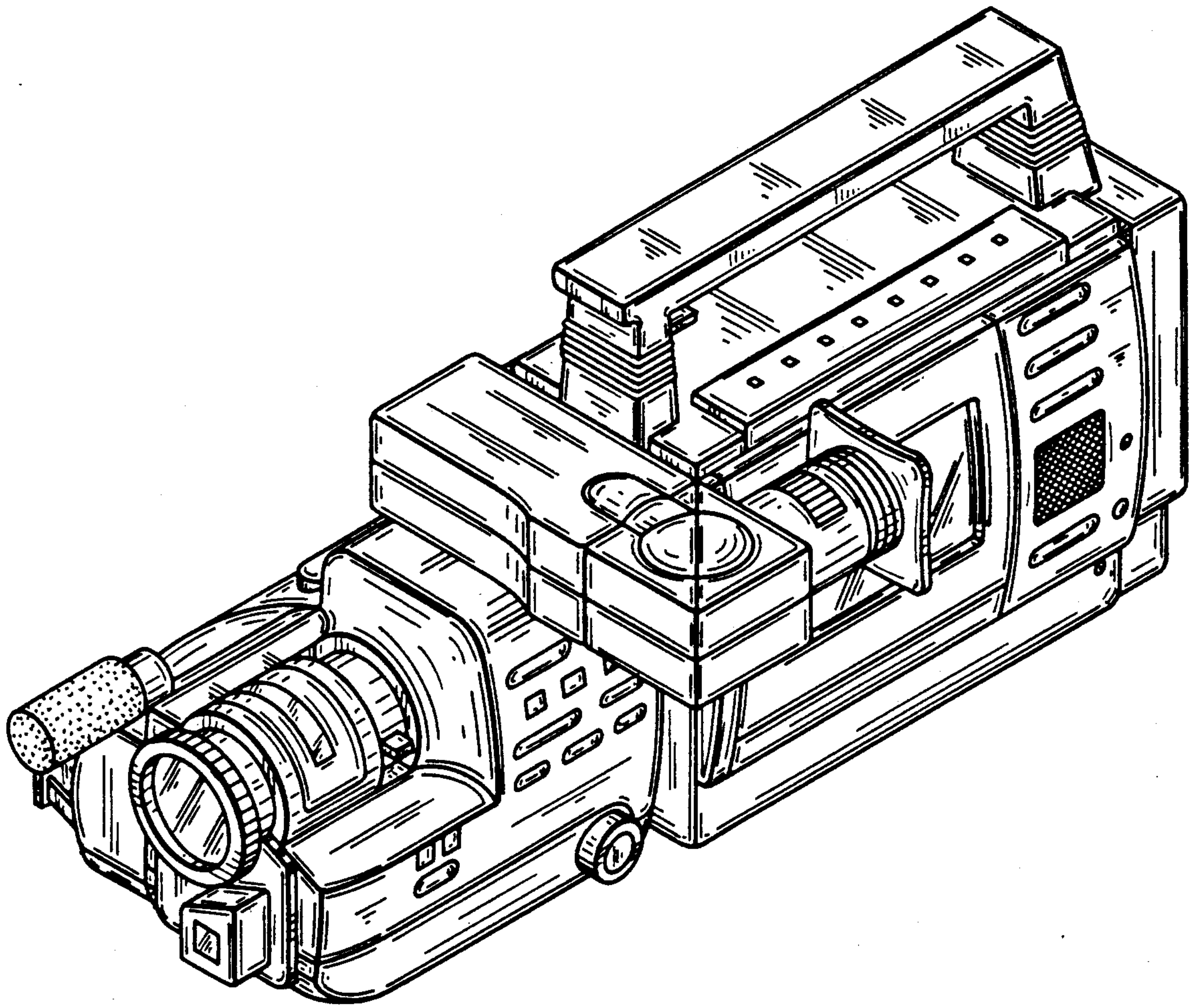


**FIG\_5**

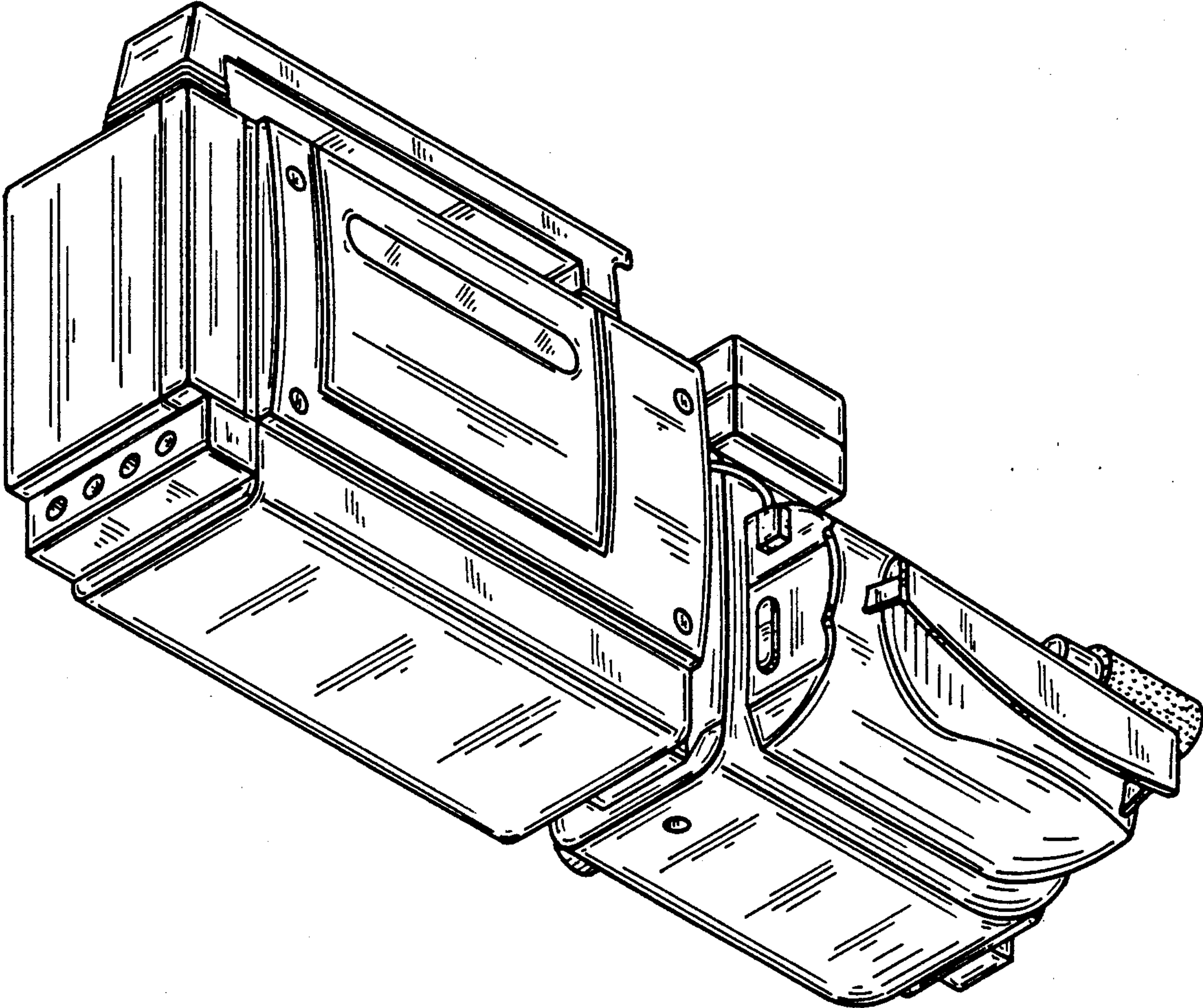


**FIG\_6**





*FIG\_7*



**FIG\_8**