

[54] TELEVISION CAMERA

[75] Inventors: Hiroshi Ooi; Fumitoshi Sakata; Sho Okamura, all of Osaka, Japan

[73] Assignee: Sharp Corporation, Osaka, Japan

[**] Term: 14 Years

[21] Appl. No.: 274,941

[22] Filed: Nov. 22, 1988

[30] Foreign Application Priority Data

May 26, 1988 [JP] Japan 63-20780

[52] U.S. Cl. D16/202

[58] Field of Search D16/200, 202, 205, 208; 352/34, 242, 243; 354/82, 293; 358/229, 906

[56] References Cited

U.S. PATENT DOCUMENTS

D. 284,082	6/1986	Masatsugu	D16/202
D. 289,645	5/1987	Kondo	D16/202
D. 291,571	8/1987	Toyoda et al.	D16/202
D. 304,595	11/1989	Nishiyama et al.	D16/202
4,885,643	12/1989	Ichimura et al.	358/229

OTHER PUBLICATIONS

Video Review, Feb. 1987, p. 54.
Popular Photography, Oct. 1987, p. 5.

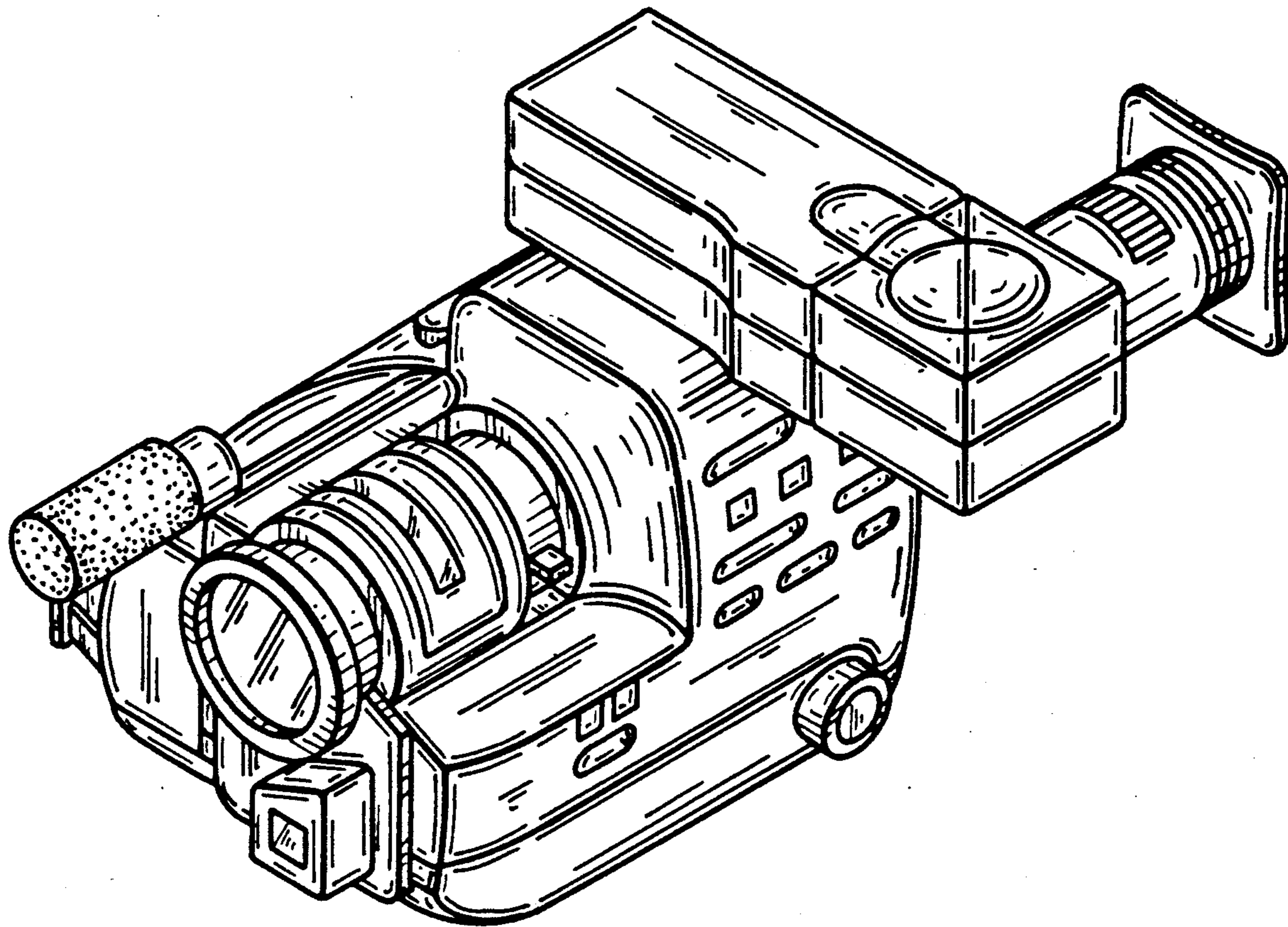
Primary Examiner—Bernard Ansher
Assistant Examiner—Adir Aronovich
Attorney, Agent, or Firm—Flehr, Hohbach, Test, Albritton & Herbert

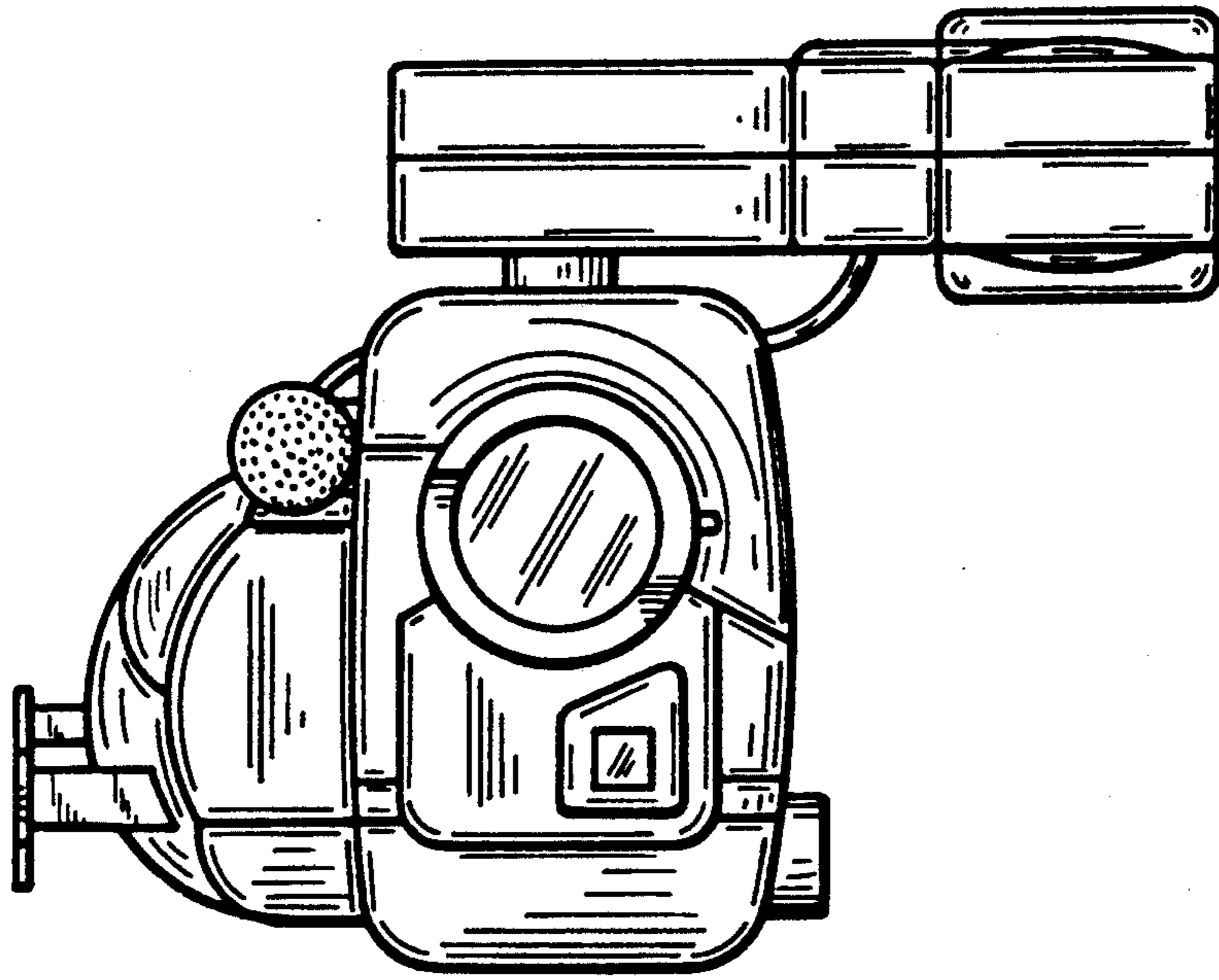
[57] CLAIM

The ornamental design for a television camera, shown and described.

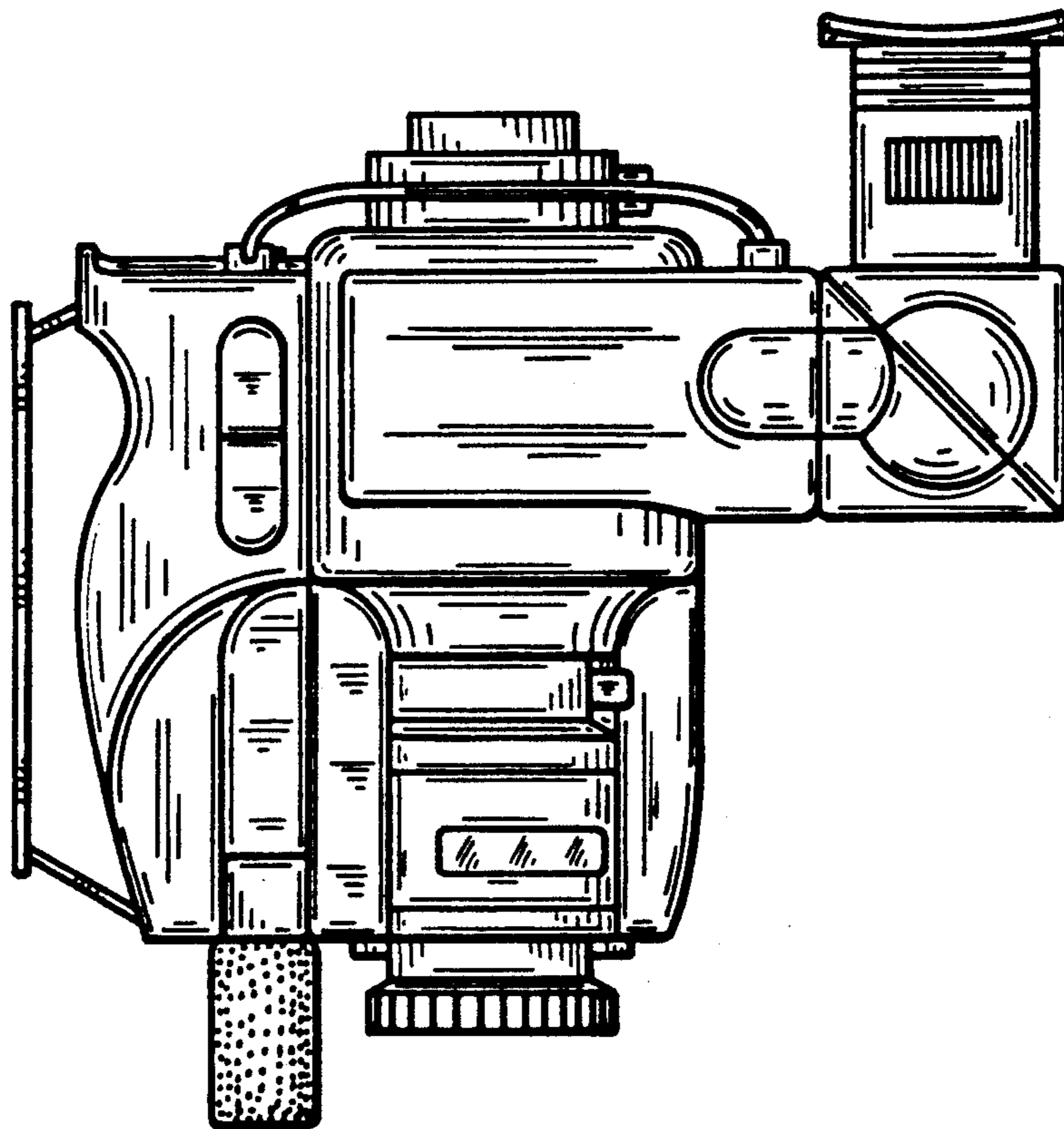
DESCRIPTION

FIG. 1 is a front elevational view of the television camera showing the new design;
FIG. 2 is a rear elevational view thereof;
FIG. 3 is a right side elevational view thereof;
FIG. 4 is a left side elevational view thereof;
FIG. 5 is a top plan view thereof;
FIG. 6 is a bottom plan view thereof;
FIG. 7 is a top, front perspective view thereof; and
FIG. 8 is a rear bottom perspective view thereof.

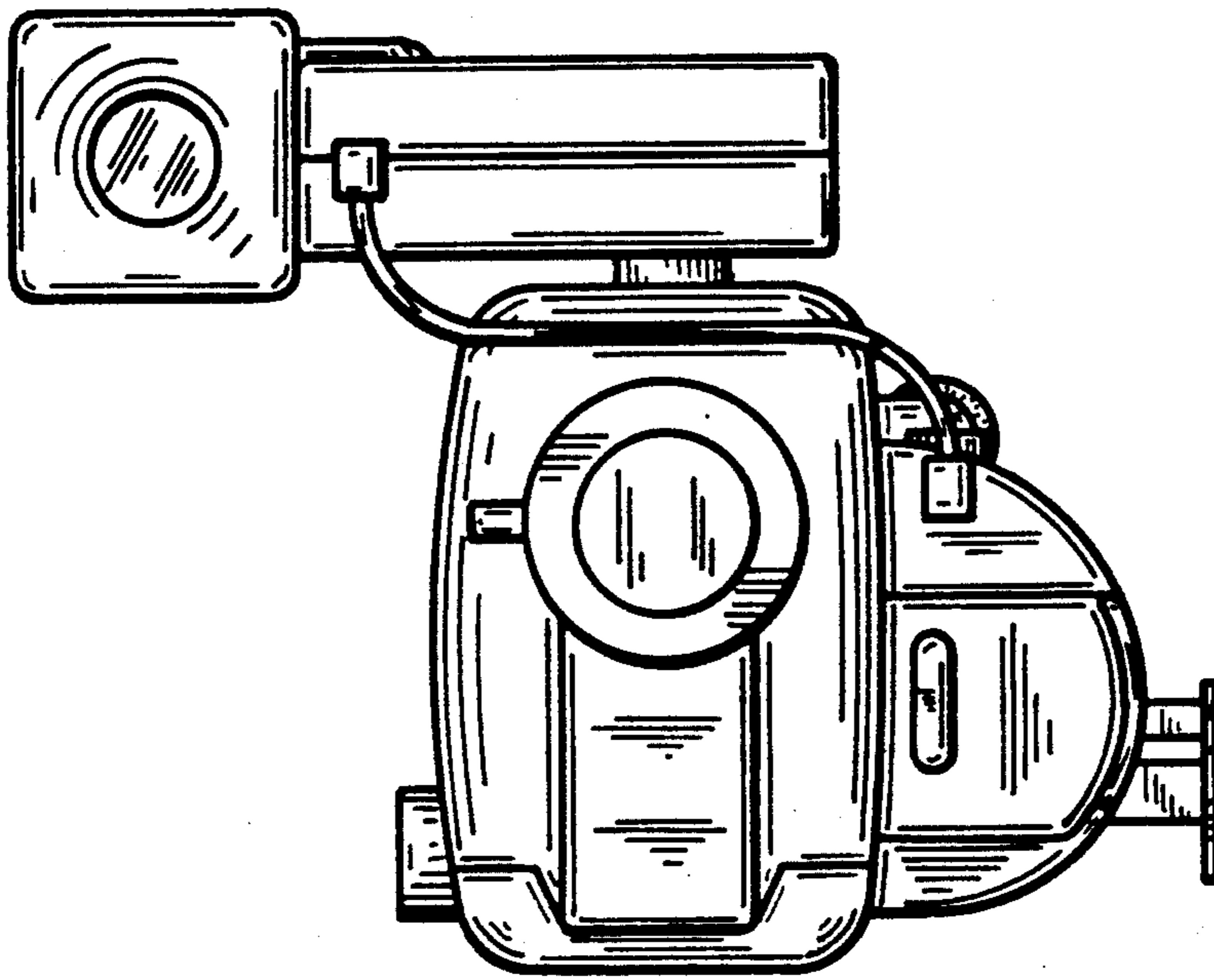




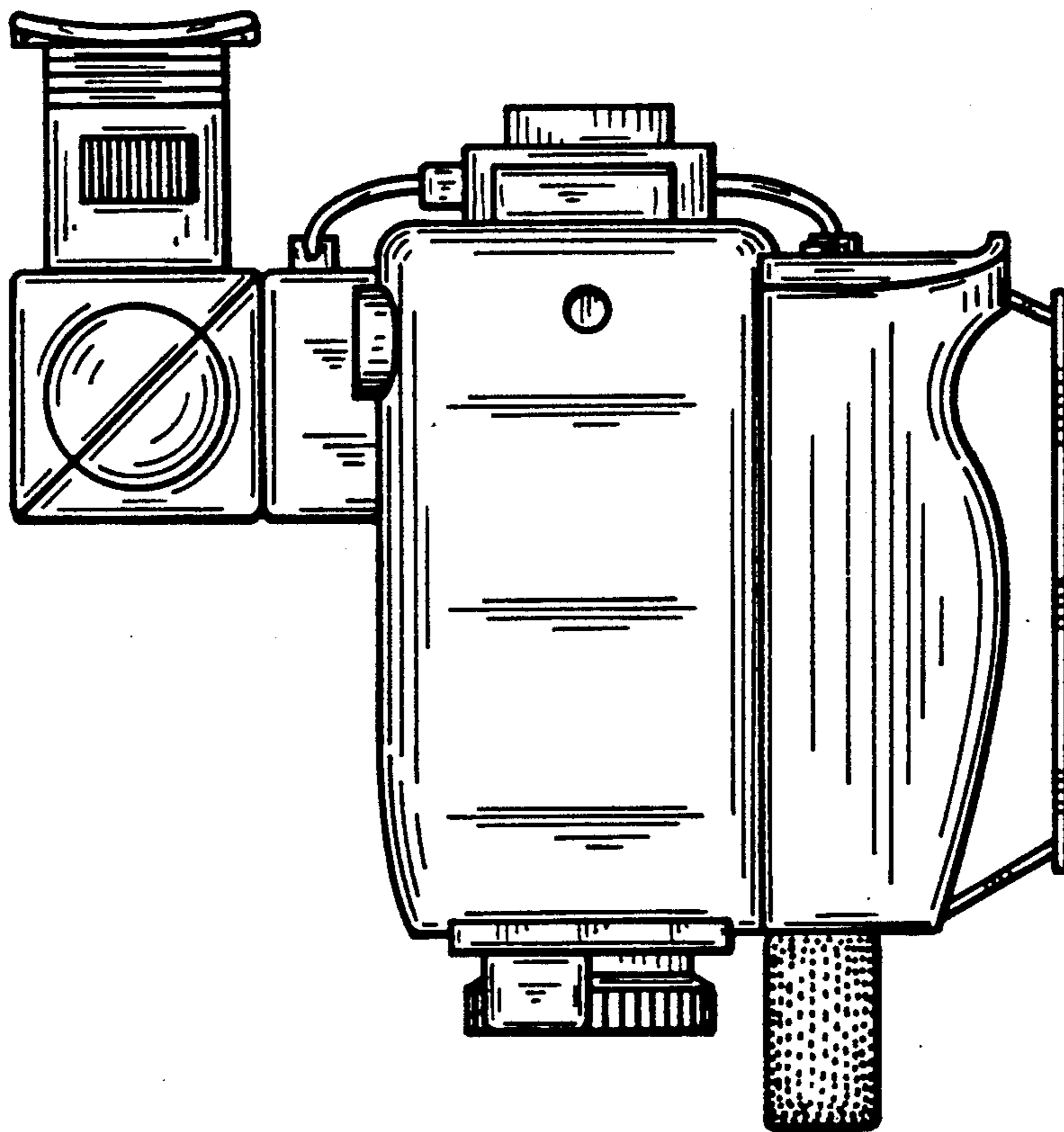
FIG_1



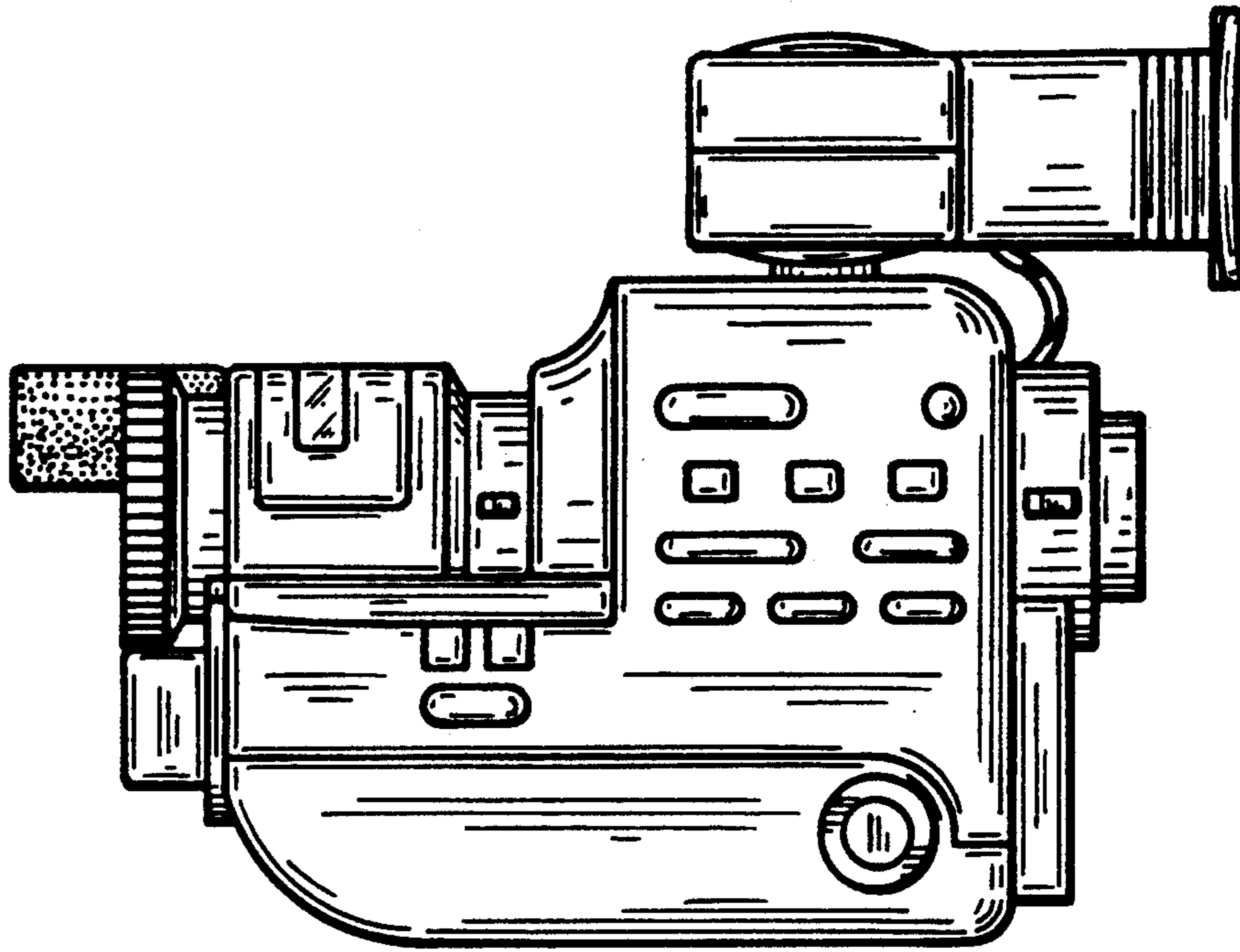
FIG_5



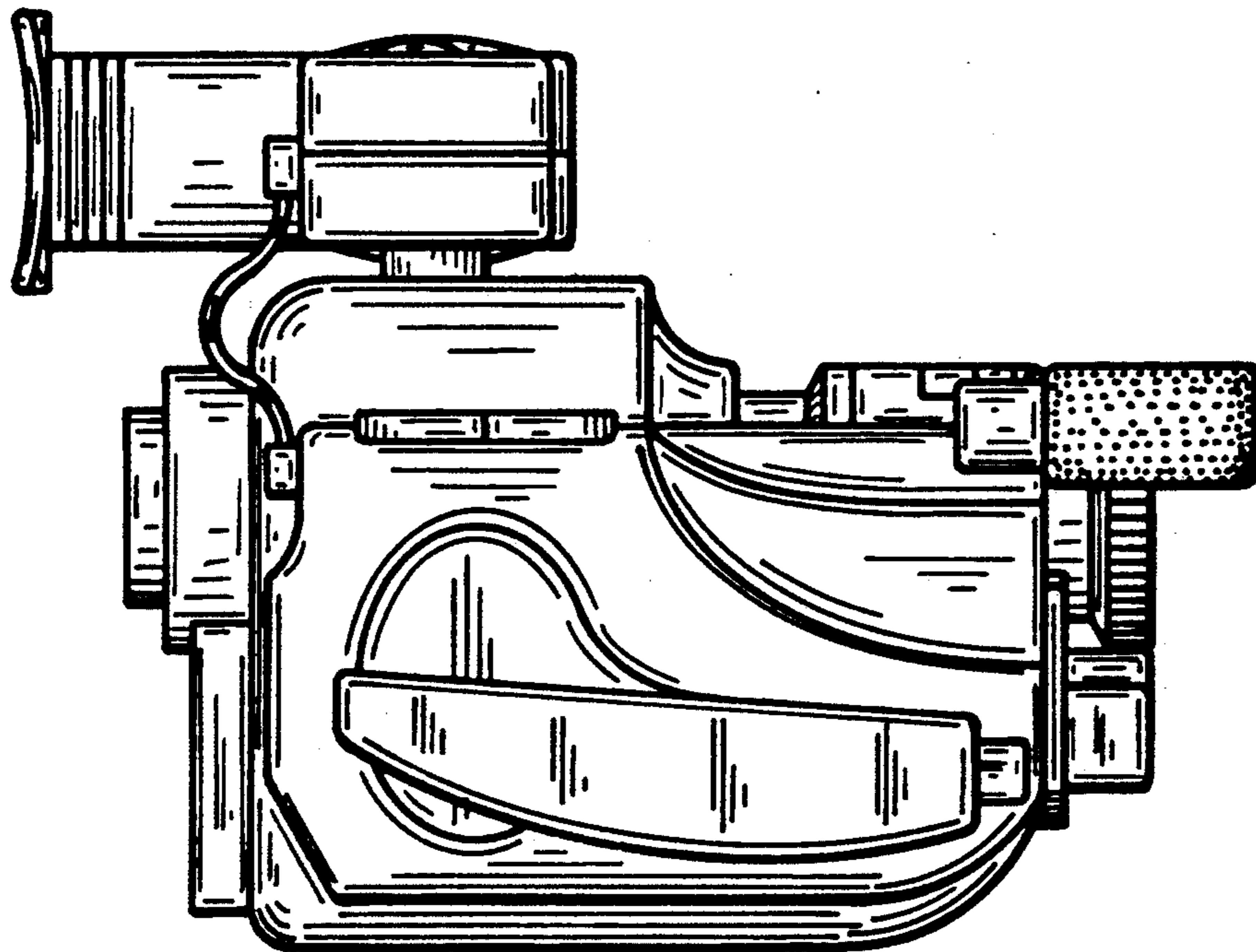
FIG_2



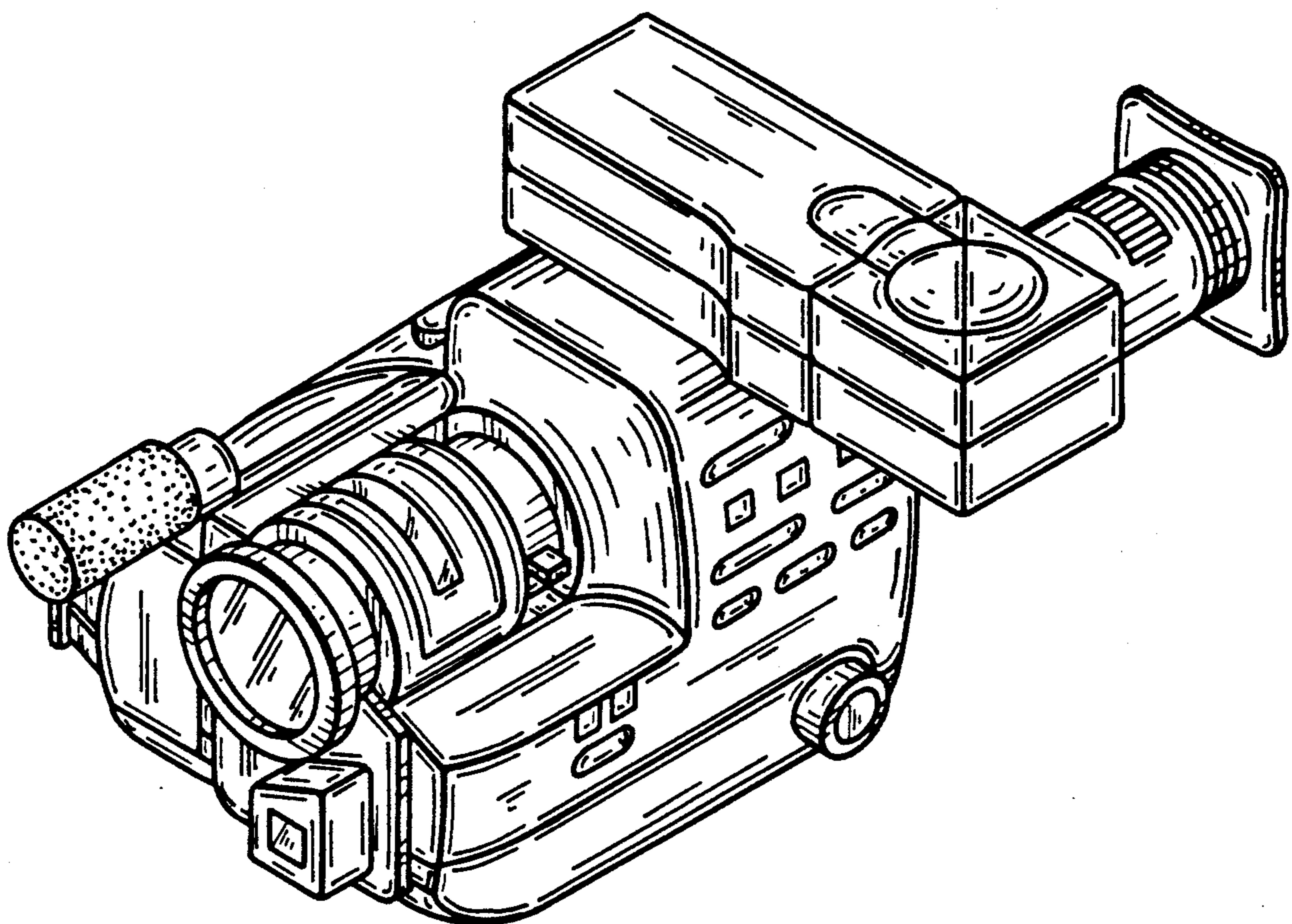
FIG_6



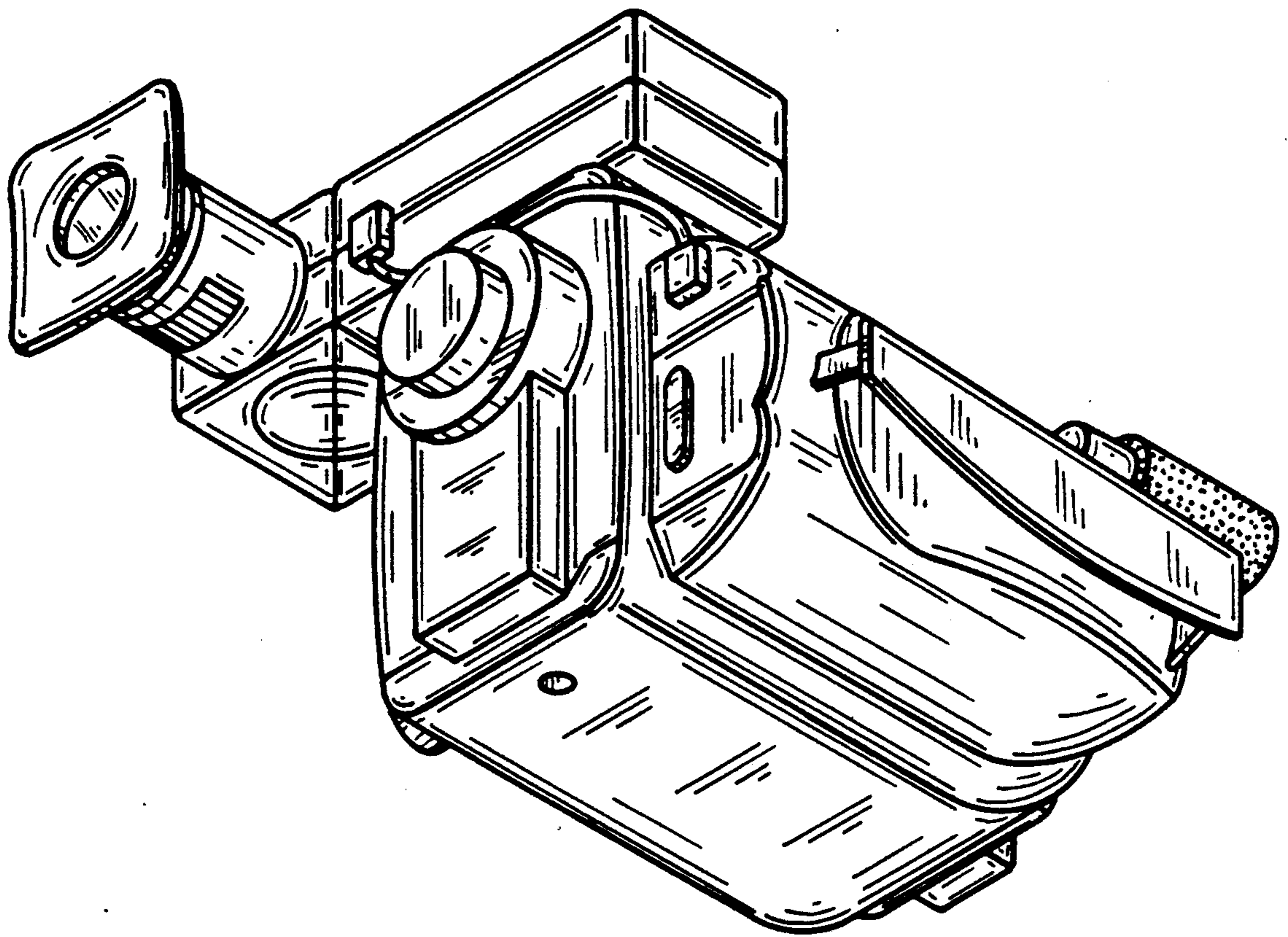
FIG_3



FIG_4



FIG_7



FIG_8