

[54] SEWING MACHINE

[75] Inventor: Yoshiaki Uguchi, Tokyo, Japan

[73] Assignee: Janome Sewing Machine Co. Ltd., Tokyo, Japan

[*] Notice: The portion of the term of this patent subsequent to Feb. 5, 2005 has been disclaimed.

[**] Term: 14 Years

[21] Appl. No.: 108,480

[22] Filed: Oct. 13, 1987

[30] Foreign Application Priority Data

Aug. 12, 1987 [JP] Japan 62-32719

[52] U.S. Cl. D15/70

[58] Field of Search D15/66, 68-76; 112/63, 258-261

[56] References Cited

U.S. PATENT DOCUMENTS

- D. 280,730 9/1985 Uchida D15/69
- D. 285,571 9/1986 Eguchi et al. D15/69
- D. 290,368 6/1987 Eguchi D15/69

Primary Examiner—A. Hugo Word
Assistant Examiner—Doris V. Coles
Attorney, Agent, or Firm—Michael J. Striker

[57] CLAIM

The ornamental design for a sewing machine, as shown and described.

DESCRIPTION

FIG. 1 is a front elevational view of a sewing machine showing my new design;
FIG. 2 is a rear elevational view thereof;
FIG. 3 is a left side elevational view thereof;
FIG. 4 is a right side elevational view thereof.
FIG. 5 is a top plan view thereof;
FIG. 6 is a bottom plan view thereof; and
FIG. 7 is a perspective view thereof.

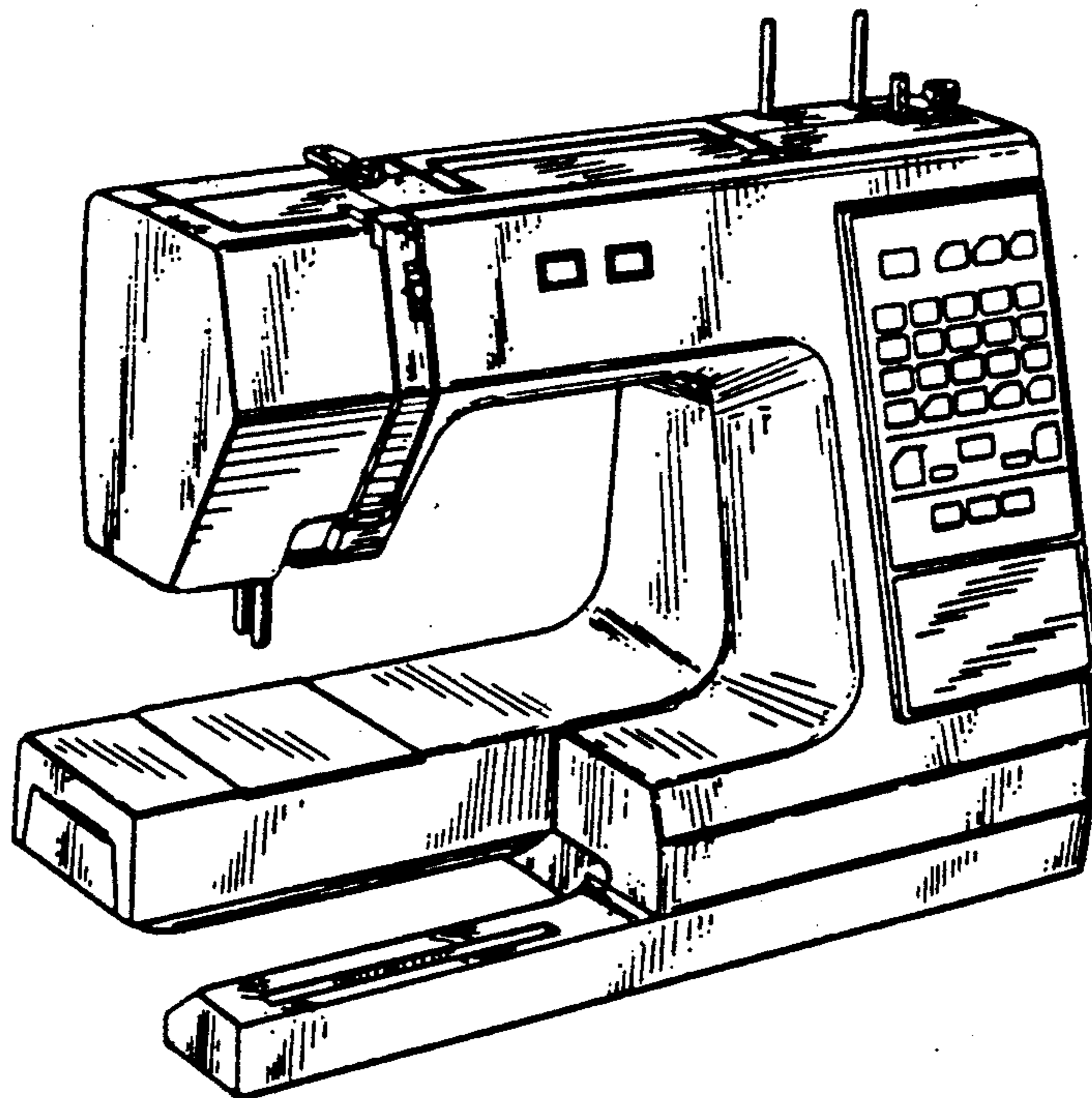


FIG. 1

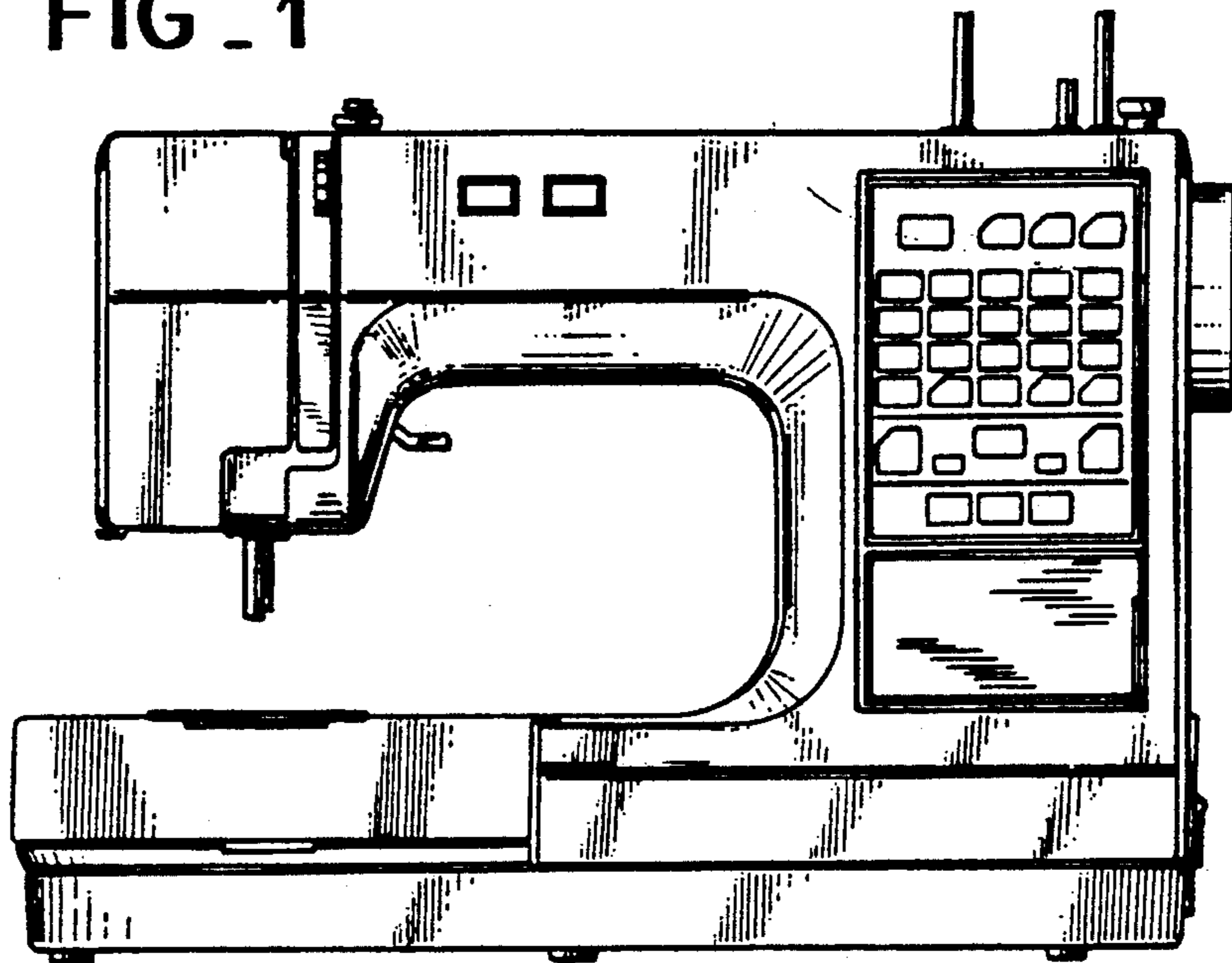


FIG. 2

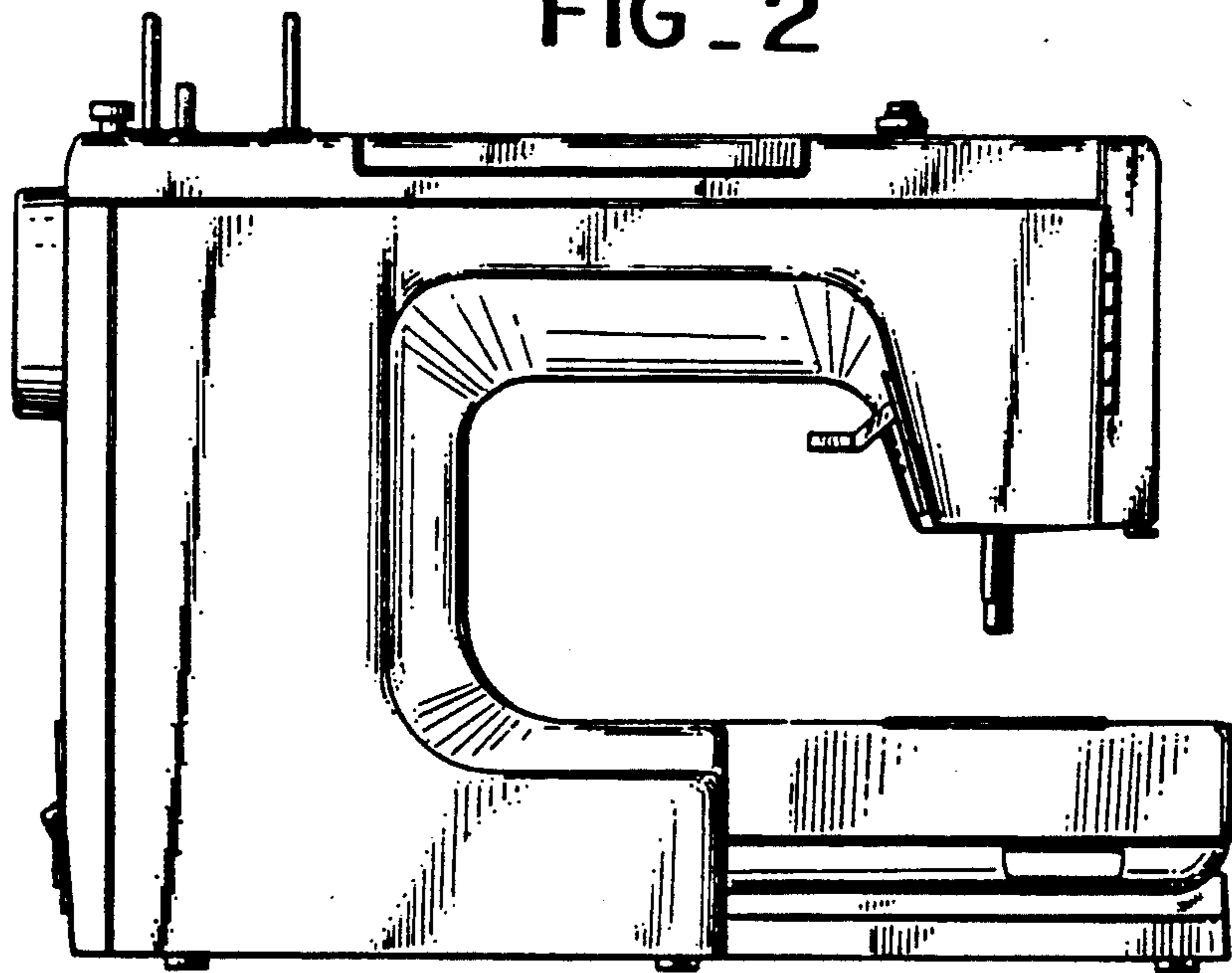
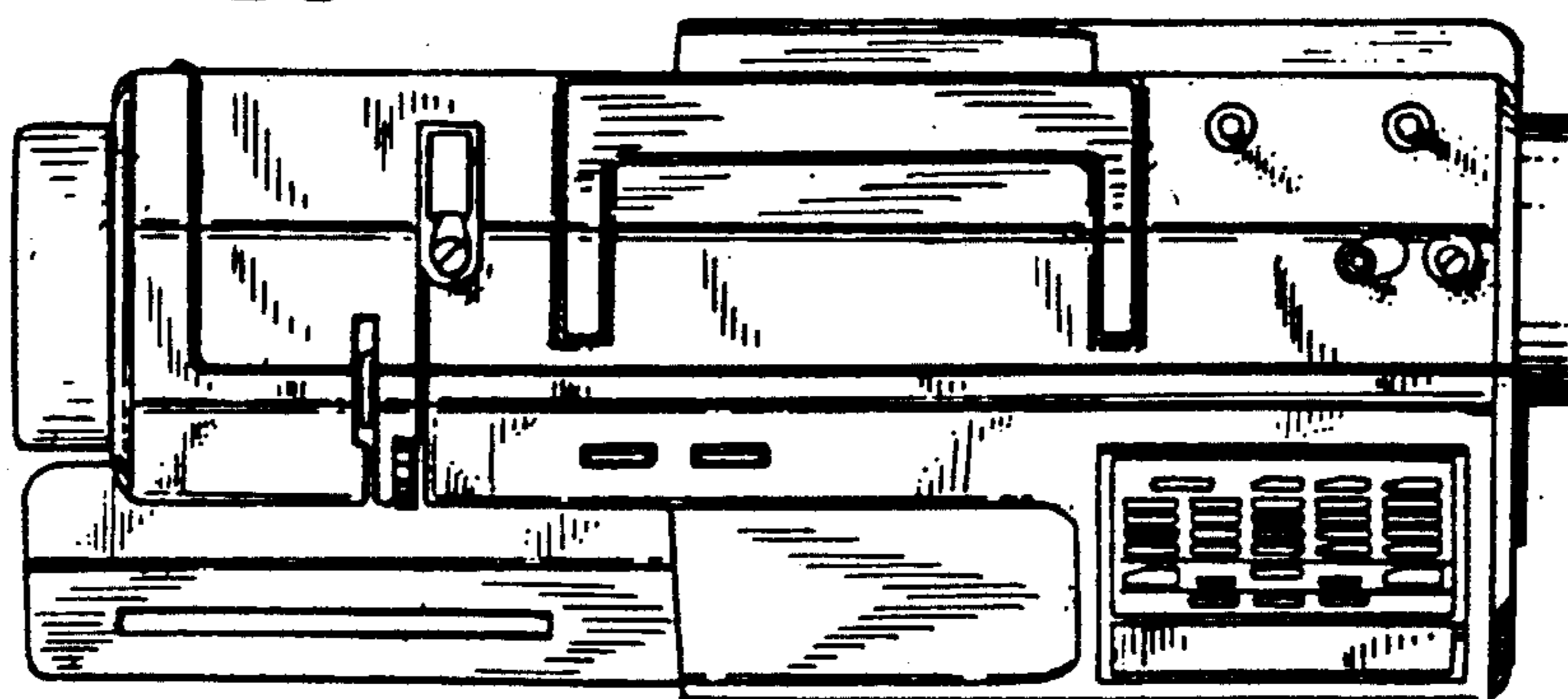
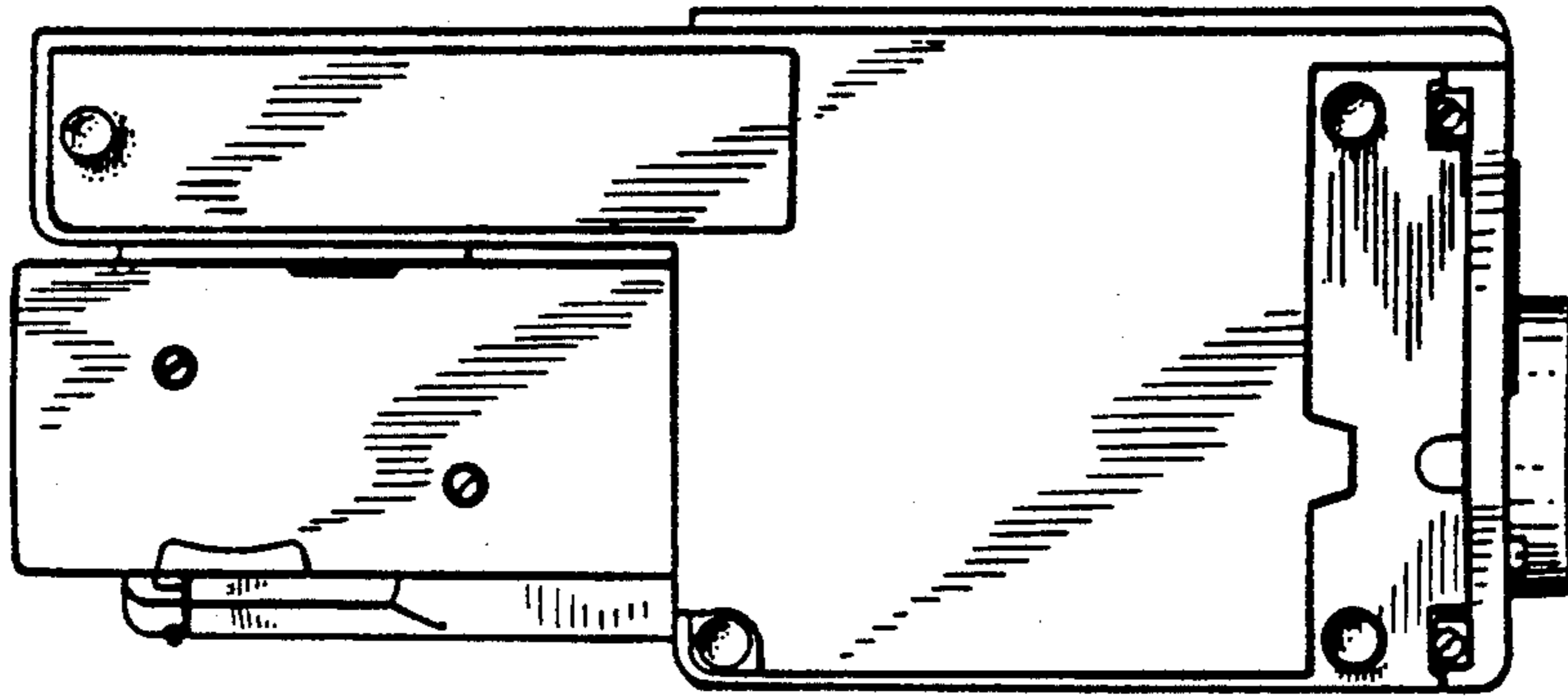


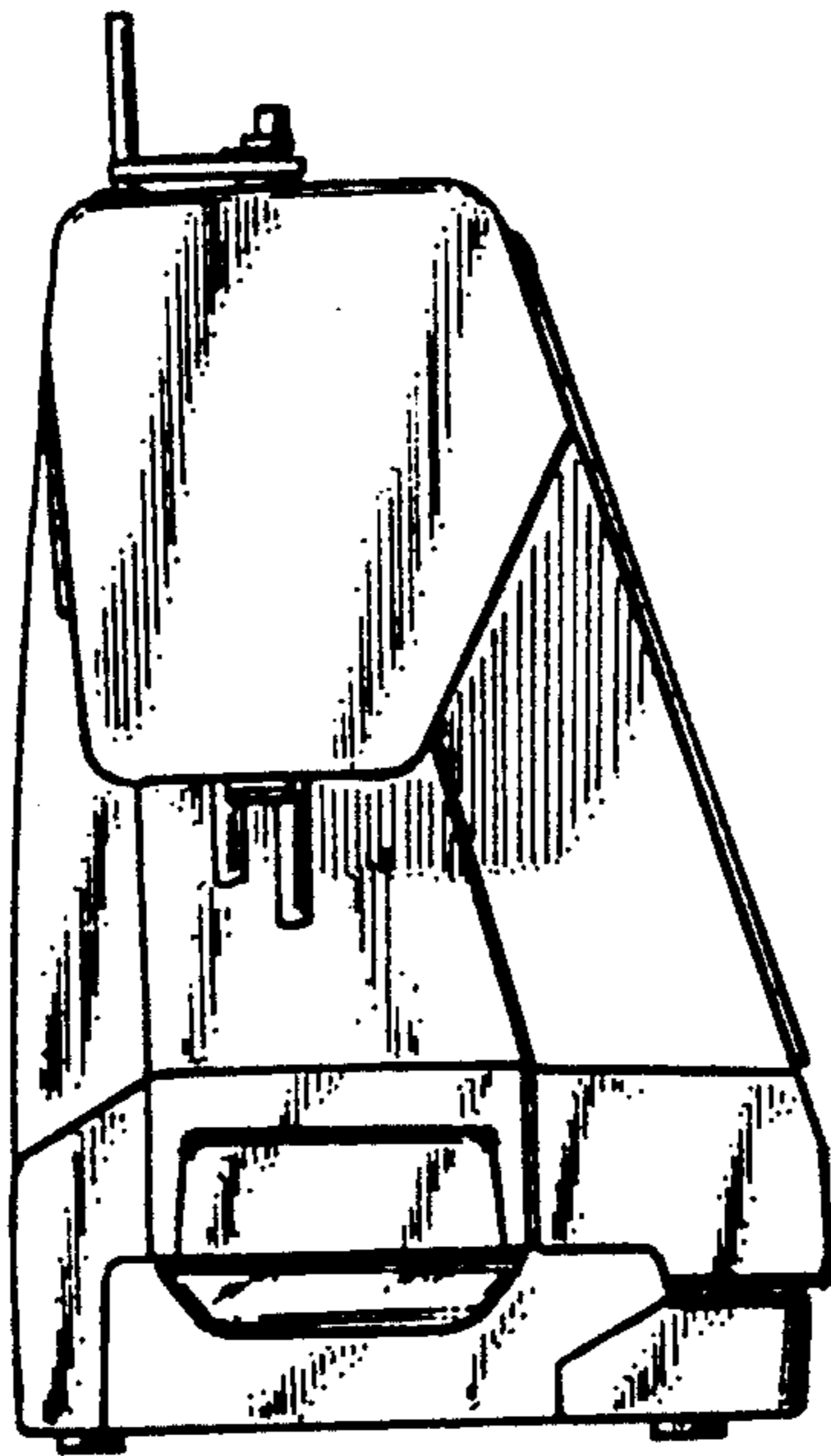
FIG. 5



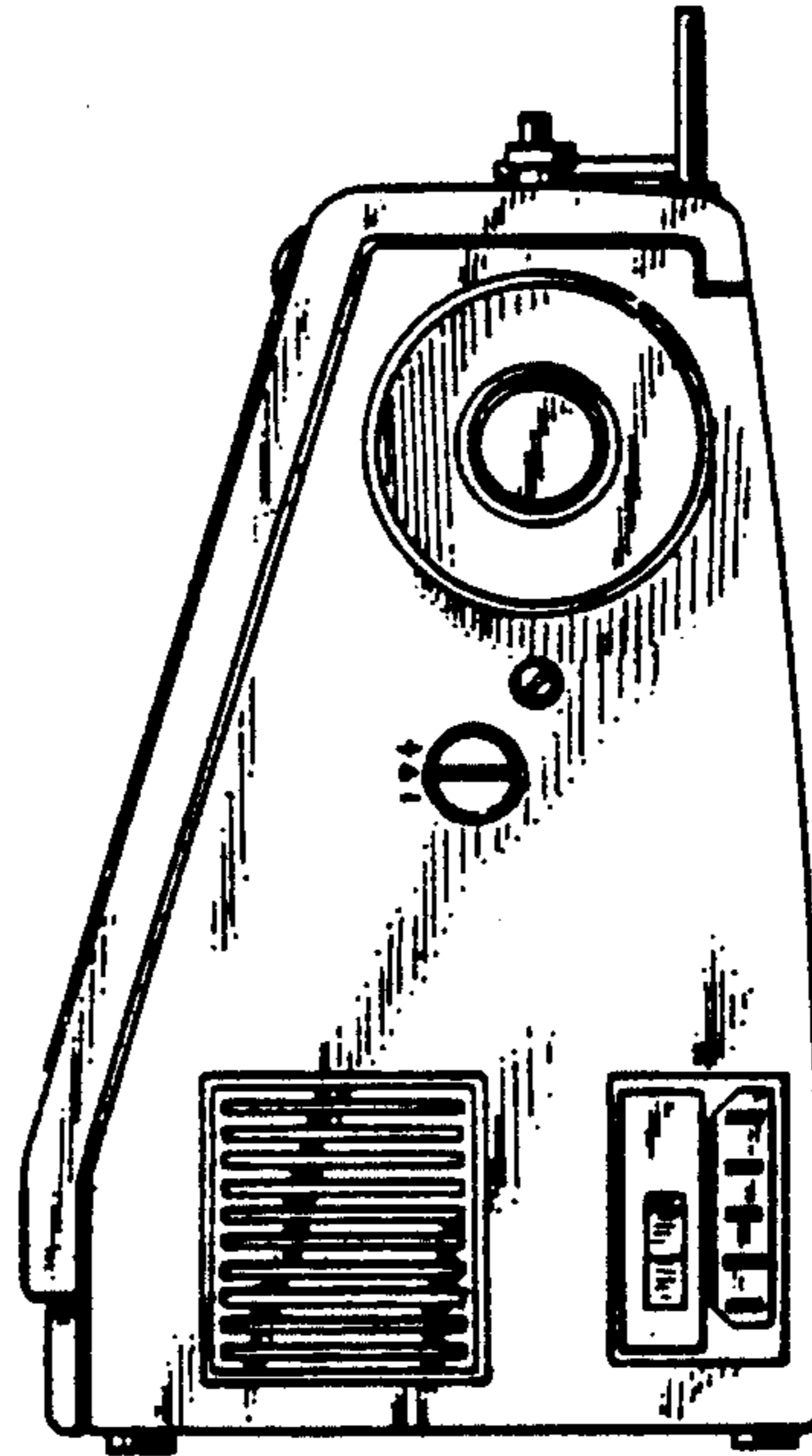
FIG_6



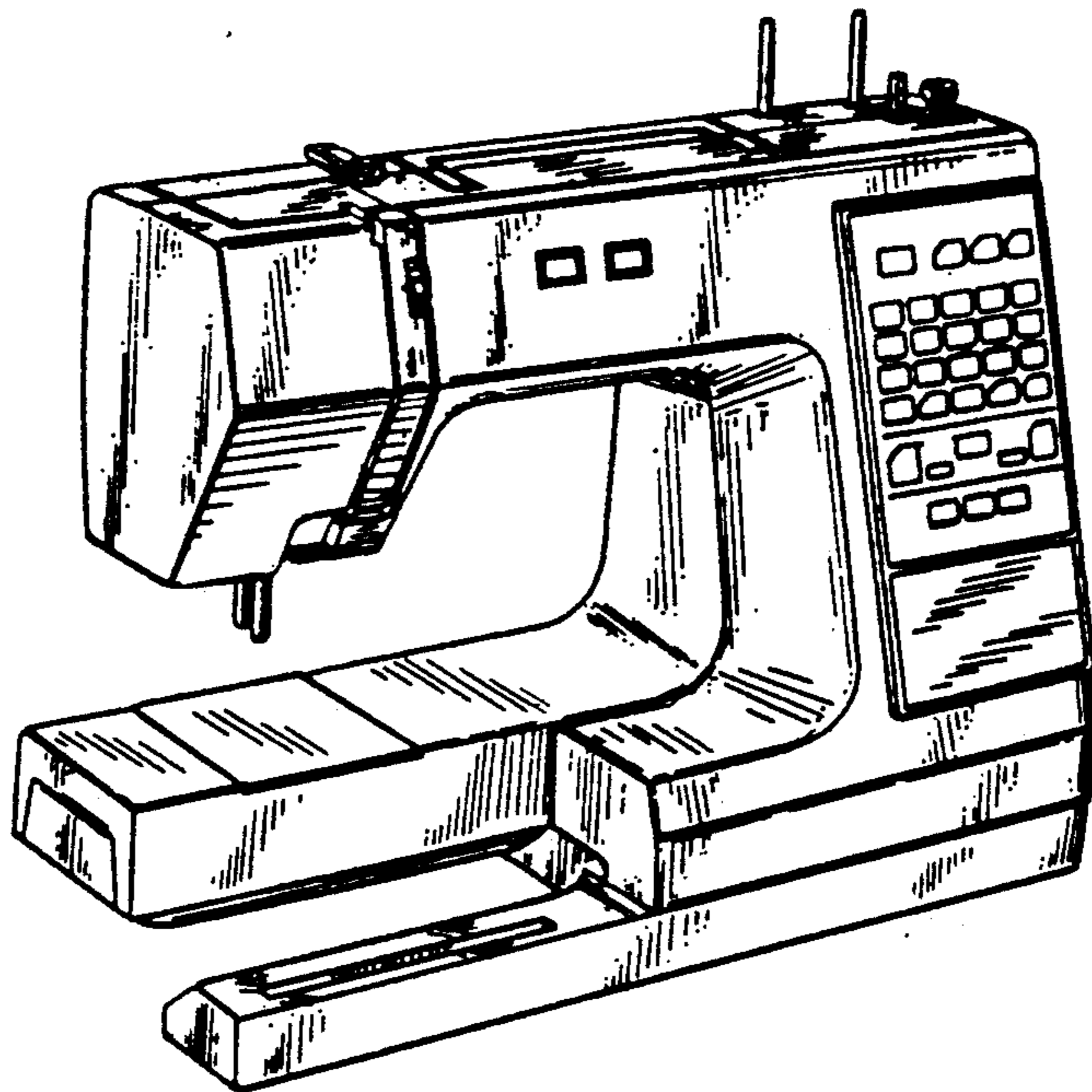
FIG_3



FIG_4



FIG_7



UNITED STATES PATENT AND TRADEMARK OFFICE
CERTIFICATE OF CORRECTION

PATENT NO. : DES. 317 453
DATED : June 11, 1991
INVENTOR(S) : Yoshiaki Uguchi

It is certified that error appears in the above-identified patent and that said Letters Patent is hereby corrected as shown below:

ON TITLE PAGE:

[75] the name of the inventor should read --Eguchi--

**Signed and Sealed this
Tenth Day of November, 1992**

Attest:

Attesting Officer

DOUGLAS B. COMER

Acting Commissioner of Patents and Trademarks