

[54] INPUT/OUTPUT MODULE

[75] Inventors: Ronald A. Straw, Eliot, Me.; Walter L. Bennett, Andover, Mass.

[73] Assignee: Transition Technology, Andover, Mass.

[\*\*] Term: 14 Years

[21] Appl. No.: 270,494

[22] Filed: Nov. 14, 1988

[52] U.S. Cl. .... D14/114

[58] Field of Search ..... D14/100, 107, 114; D13/147, 162, 199; 174/52 R; 206/444, 312; 200/50 A, 50 R; 273/1 GC, 148 B; 360/97-99, 132, 133; 361/392, 394, 395, 399, 413, 415; 439/61

[56] References Cited

U.S. PATENT DOCUMENTS

- D. 259,041 4/1981 Ault et al. .... D14/100
- D. 281,493 11/1985 Prager et al. .... D13/199
- D. 286,053 10/1986 McDaniel et al. .... D14/114
- 4,215,386 7/1980 Prager et al. .... 361/390 X

- 4,558,914 12/1985 Prager et al. .... 361/413 X
- 4,600,968 7/1986 Sekiya et al. .... 361/394
- 4,737,884 4/1988 Wada et al. .... 361/392
- 4,744,006 5/1988 Duffield ..... 439/61 X

Primary Examiner—Wallace R. Burke  
Assistant Examiner—Freda S. Nunn

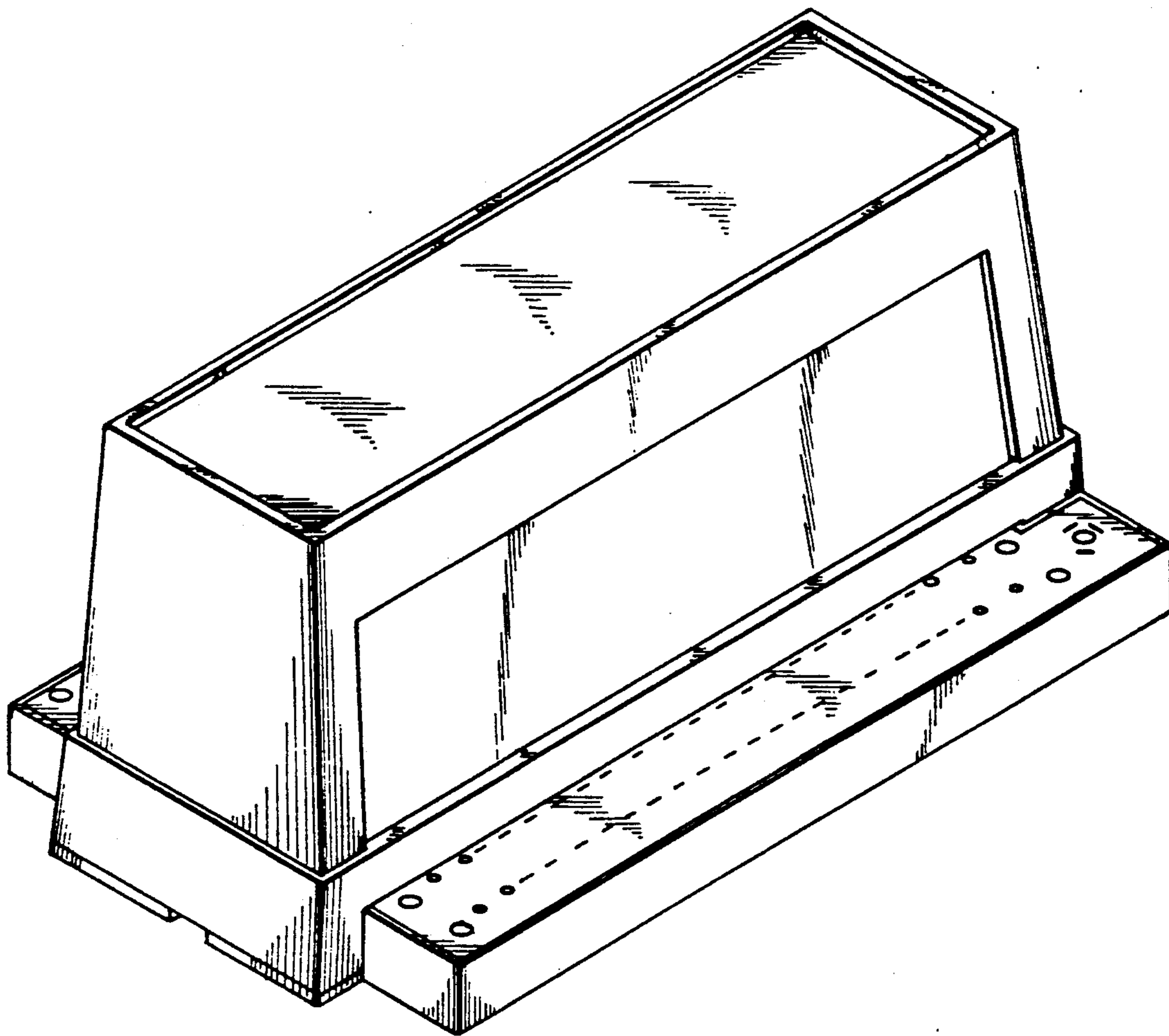
[57] CLAIM

The ornamental design for the input/output module, as shown and described.

DESCRIPTION

FIG. 1 is a perspective view of an input/output module showing our new design;  
FIG. 2 is a top plan view thereof;  
FIG. 3 is a bottom plan view thereof;  
FIG. 4 is a right side elevational view thereof;  
FIG. 5 is a left side elevational view thereof;  
FIG. 6 is an end elevational view thereof;  
FIG. 7 is an end elevational view thereof opposite that shown in FIG. 6.

In FIGS. 1 and 2 the pattern of circular openings which is partially shown for ease of illustration on the top surface of the rectangular panels is understood to repeat uniformly along the broken line area.



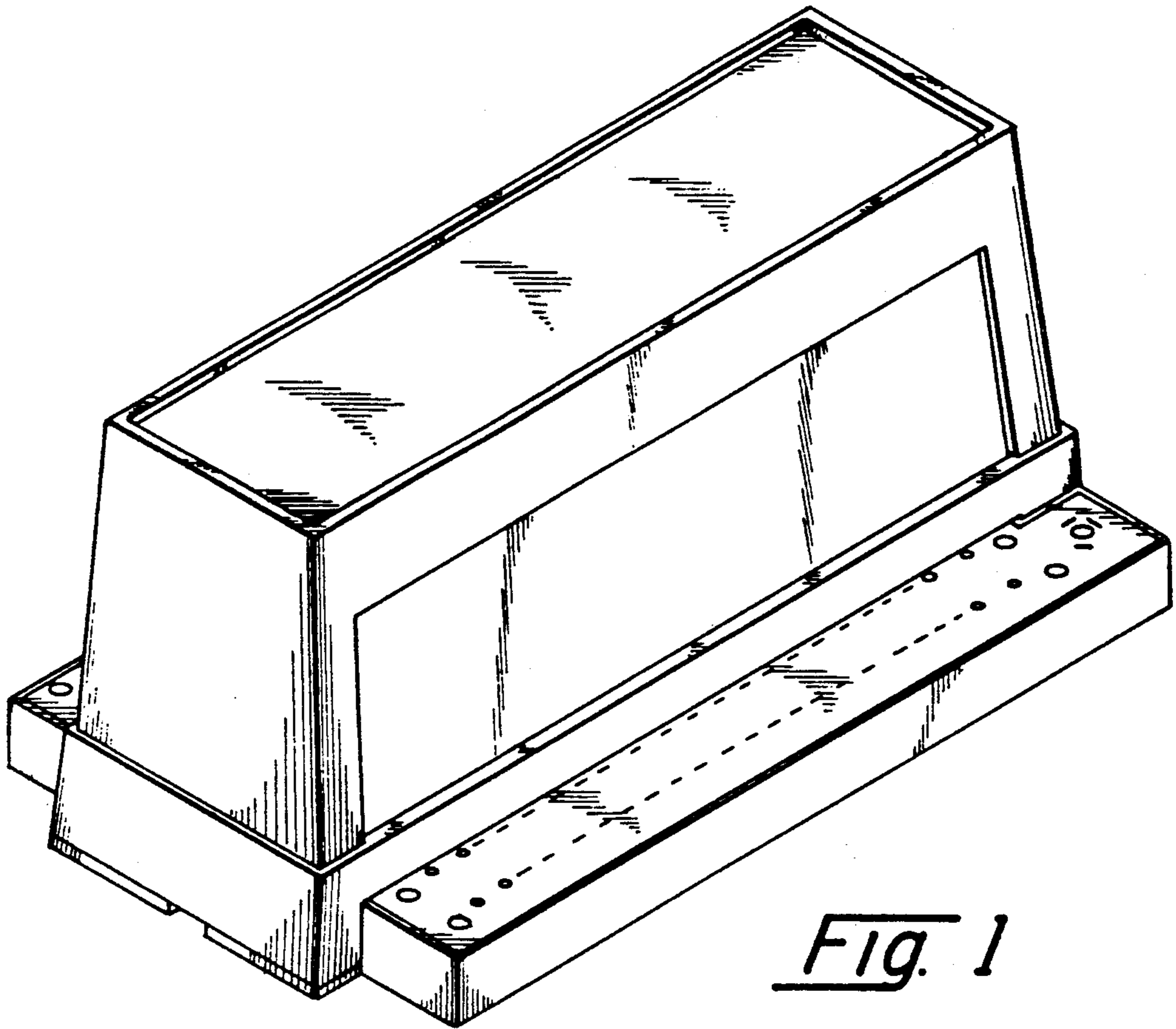


Fig. 1

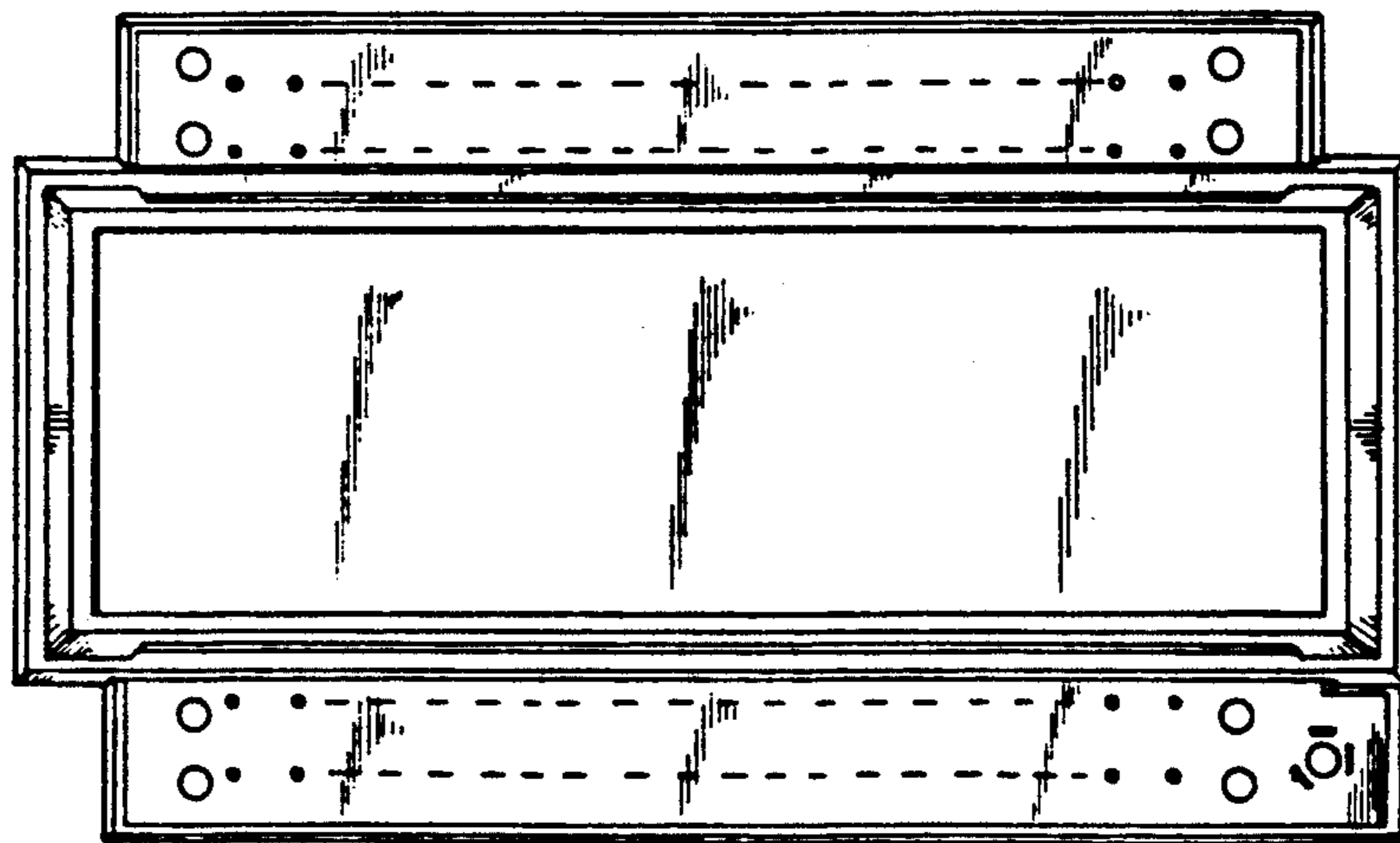


Fig. 2

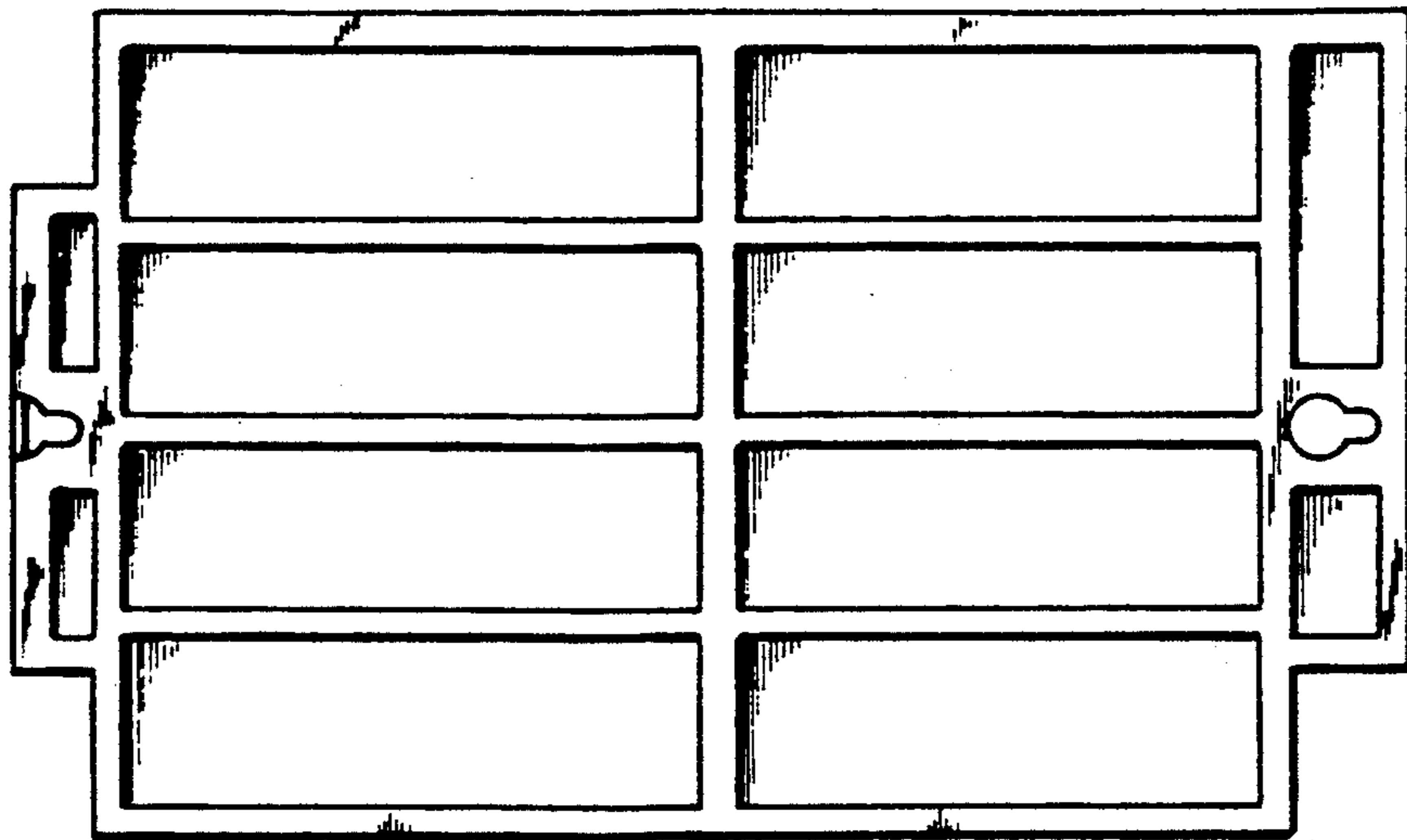


Fig. 3

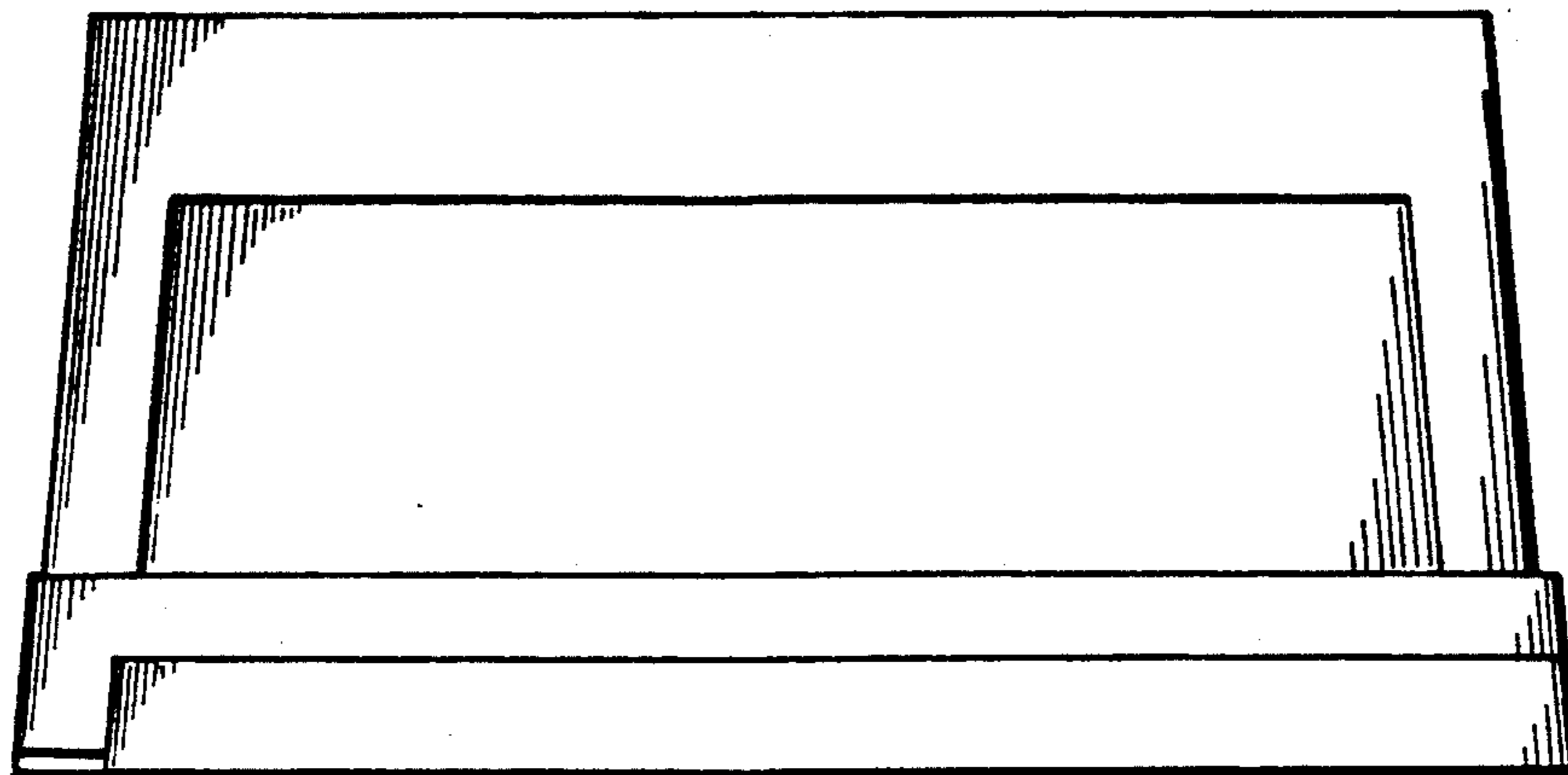


Fig. 4

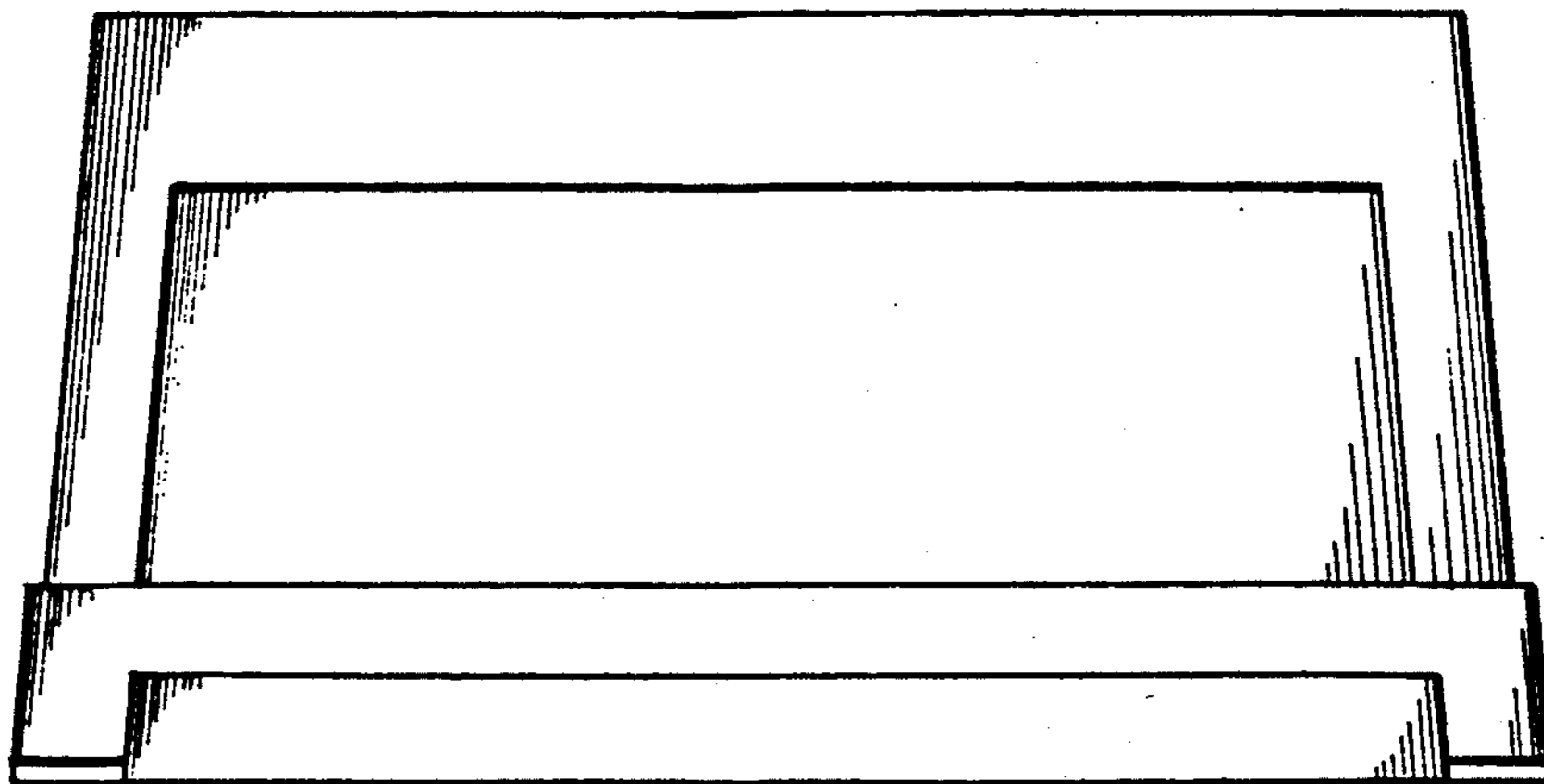


Fig. 5

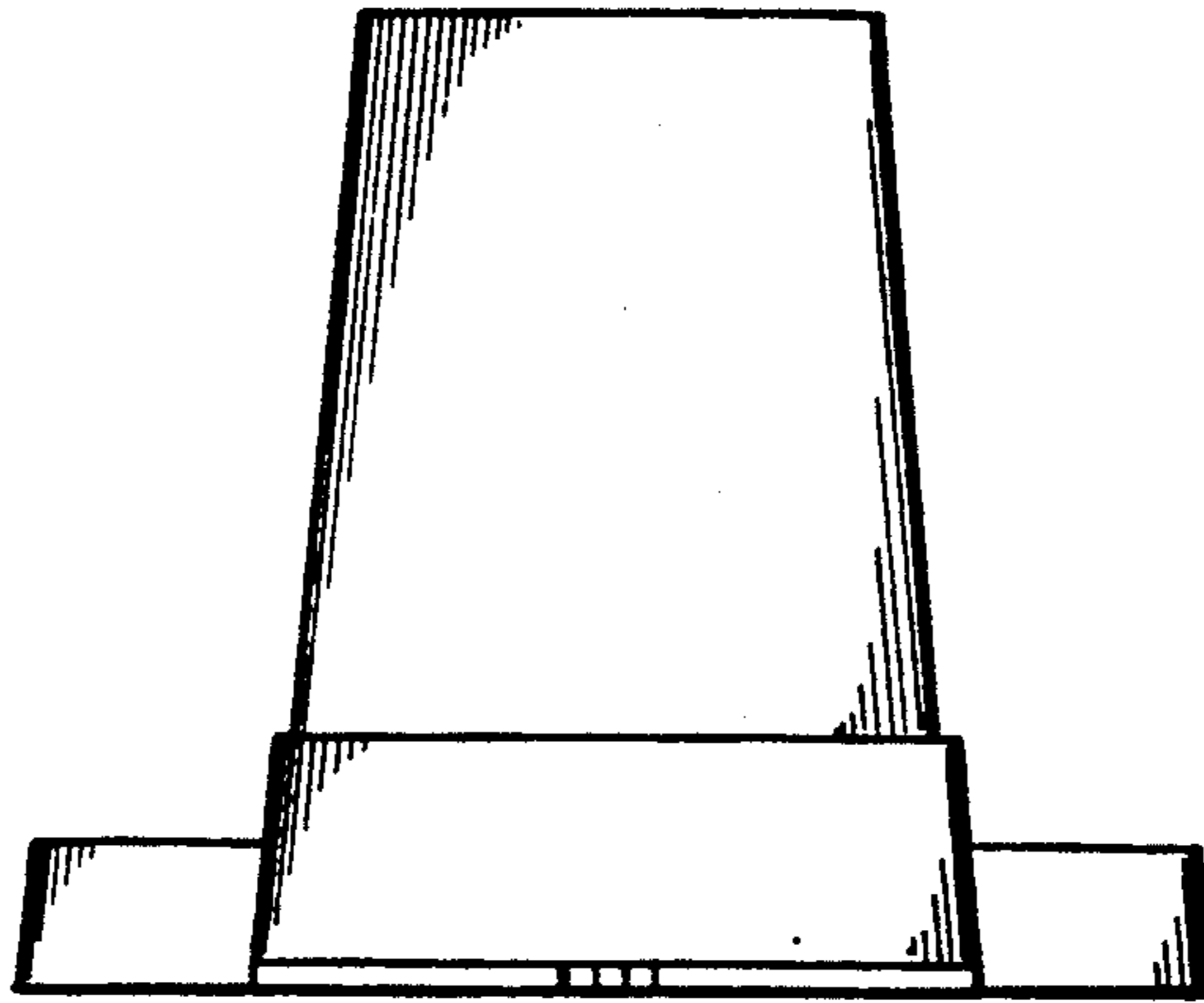


Fig. 6

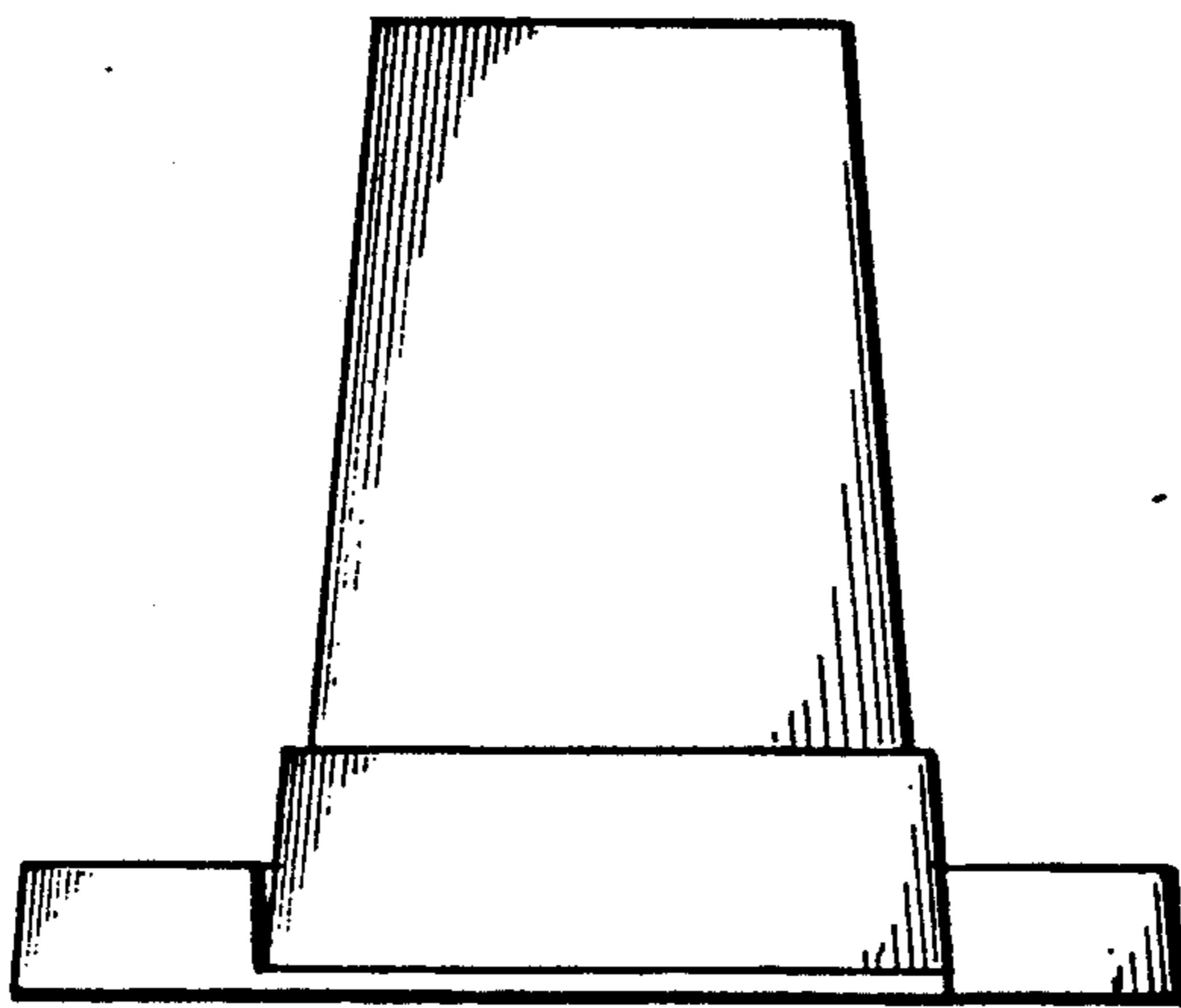


Fig. 7