

[54] MOBILE DATA TERMINAL OR SIMILAR ARTICLE

[75] Inventors: William E. Fenton, Port Coquitlam; Roman P. Rak, Delta, both of Canada

[73] Assignee: Motorola, Inc., Schaumburg, Ill.

[**] Term: 14 Years

[21] Appl. No.: 389,235

[22] Filed: Aug. 1, 1989

[52] U.S. Cl. D14/100; D14/106

[58] Field of Search D14/100, 101, 105-107, D14/113, 115, 124-126; D18/1, 7, 11, 12; 340/700, 706, 707, 711, 712; 341/22, 23; 364/706-710.14, 200, 900; 312/208; 235/145 A, 145 R; 400/479, 484, 485, 486, 488, 489, 496, 677, 682, 693

[56] References Cited

U.S. PATENT DOCUMENTS

- D. 218,436 8/1970 Morgan et al. D14/106
- D. 262,706 1/1982 Vierling et al. D14/106

- D. 286,534 11/1986 Holloman et al. D14/106 X
- D. 295,874 5/1988 Maladra et al. D14/100 X
- D. 298,626 11/1988 Stark et al. D14/105
- D. 305,534 1/1990 Weber et al. D14/100
- D. 310,212 8/1990 Forsythe D14/106
- 4,345,147 8/1982 Aaron et al. 364/708 X

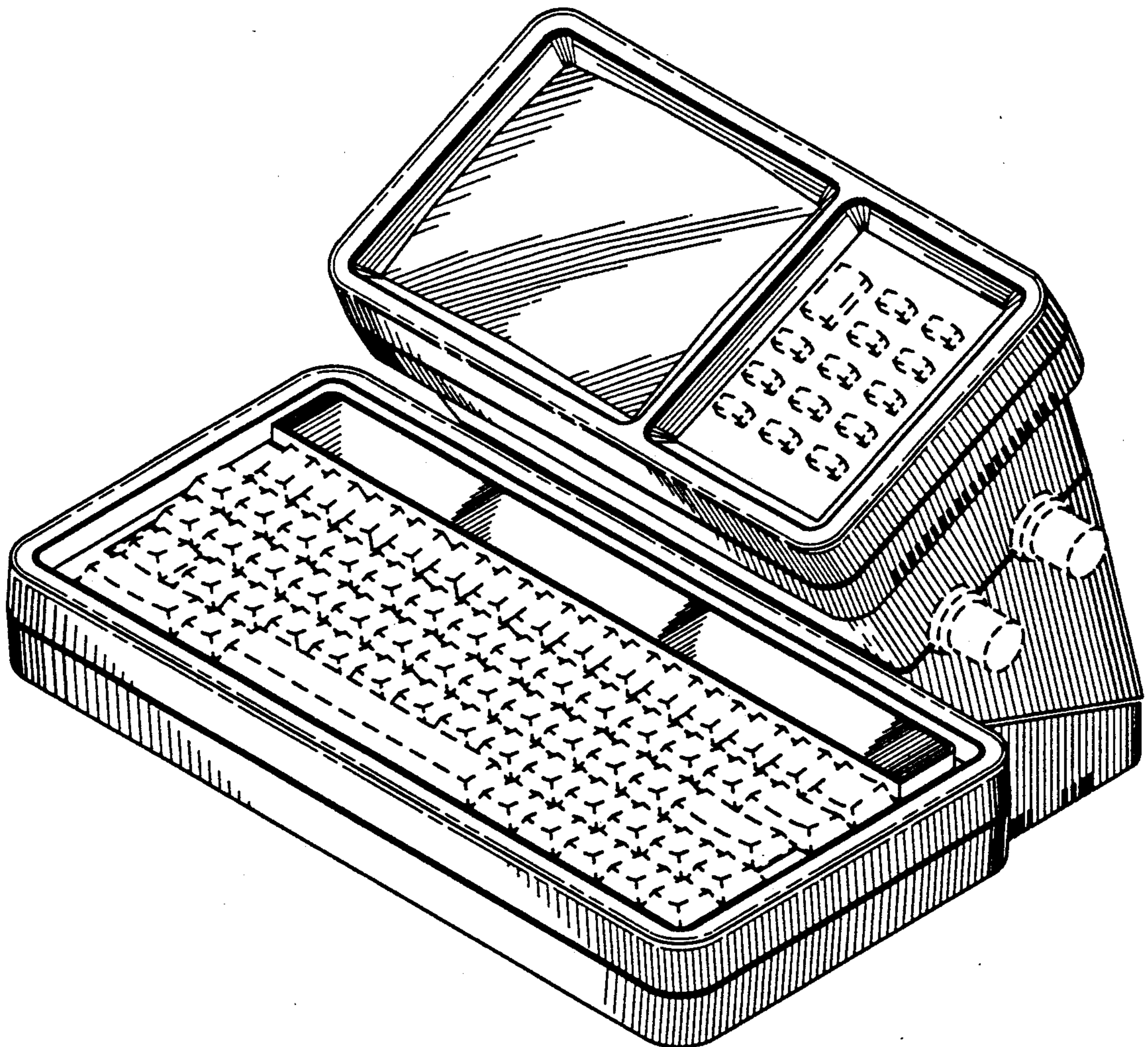
Primary Examiner—Susan J. Lucas
Assistant Examiner—Freda S. Nunn
Attorney, Agent, or Firm—Donald B. Southard

[57] CLAIM

The ornamental design for a mobile data terminal or similar article, as shown and described.

DESCRIPTION

FIG. 1 is a top, front, right side perspective view of a mobile data terminal or similar article showing our new design;
FIG. 2 is a left side elevational view thereof;
FIG. 3 is a rear elevational view thereof;
FIG. 4 is a bottom plan view thereof.
The keys and knobs are shown in broken lines in FIGS. 1-4 for illustrative purposes only and form no part of the claimed design.



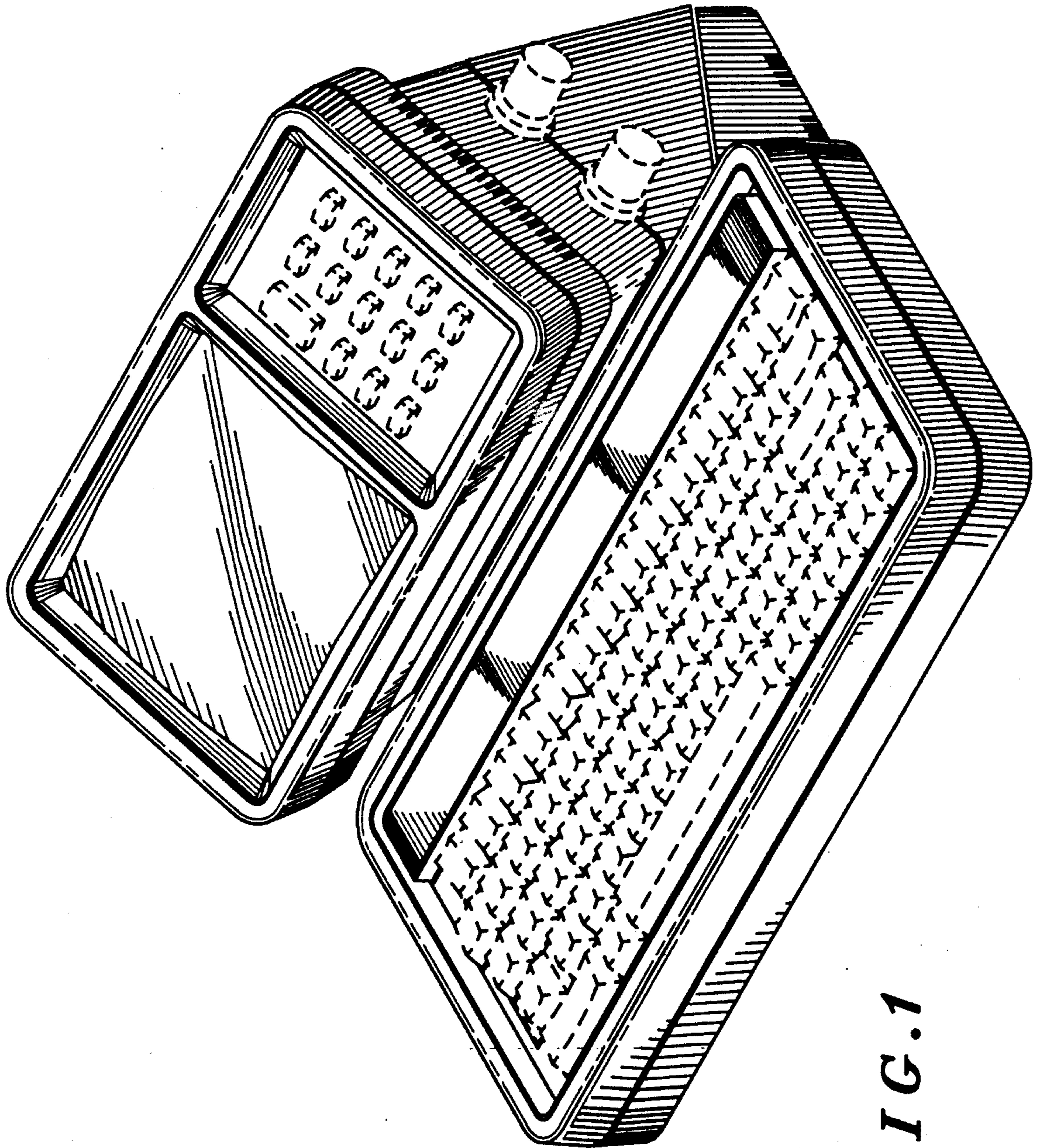


FIG. 1

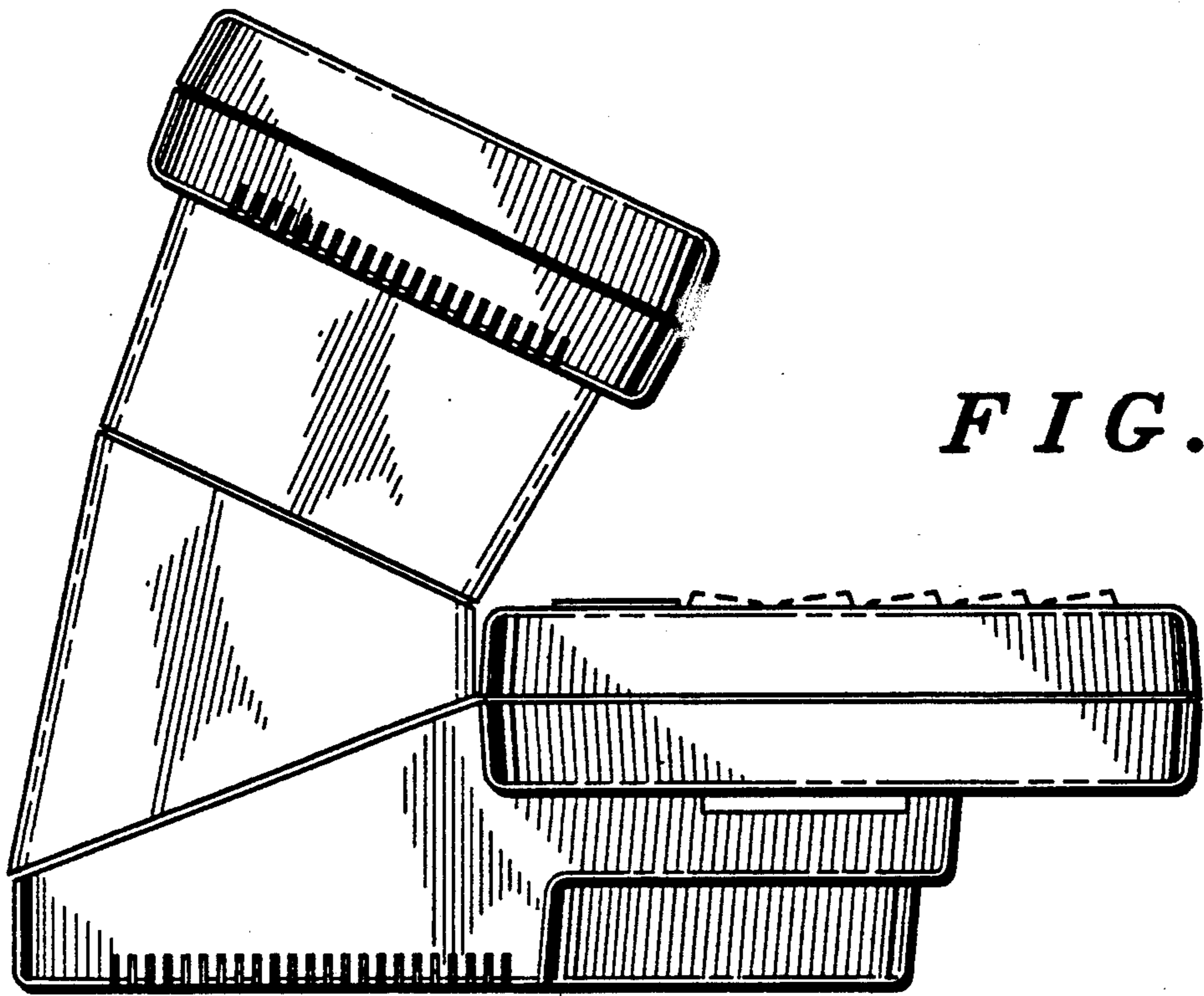


FIG. 2

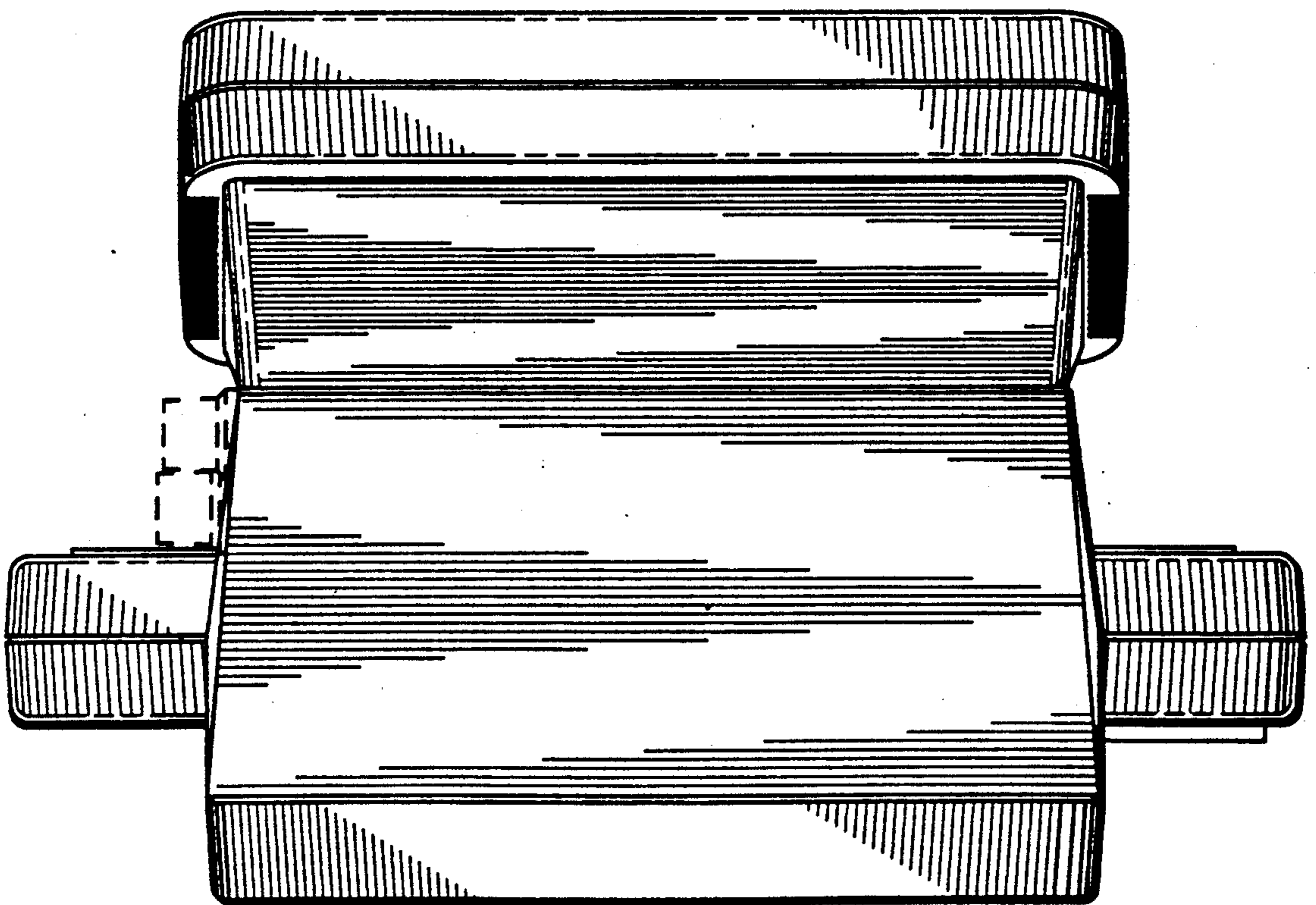


FIG. 3

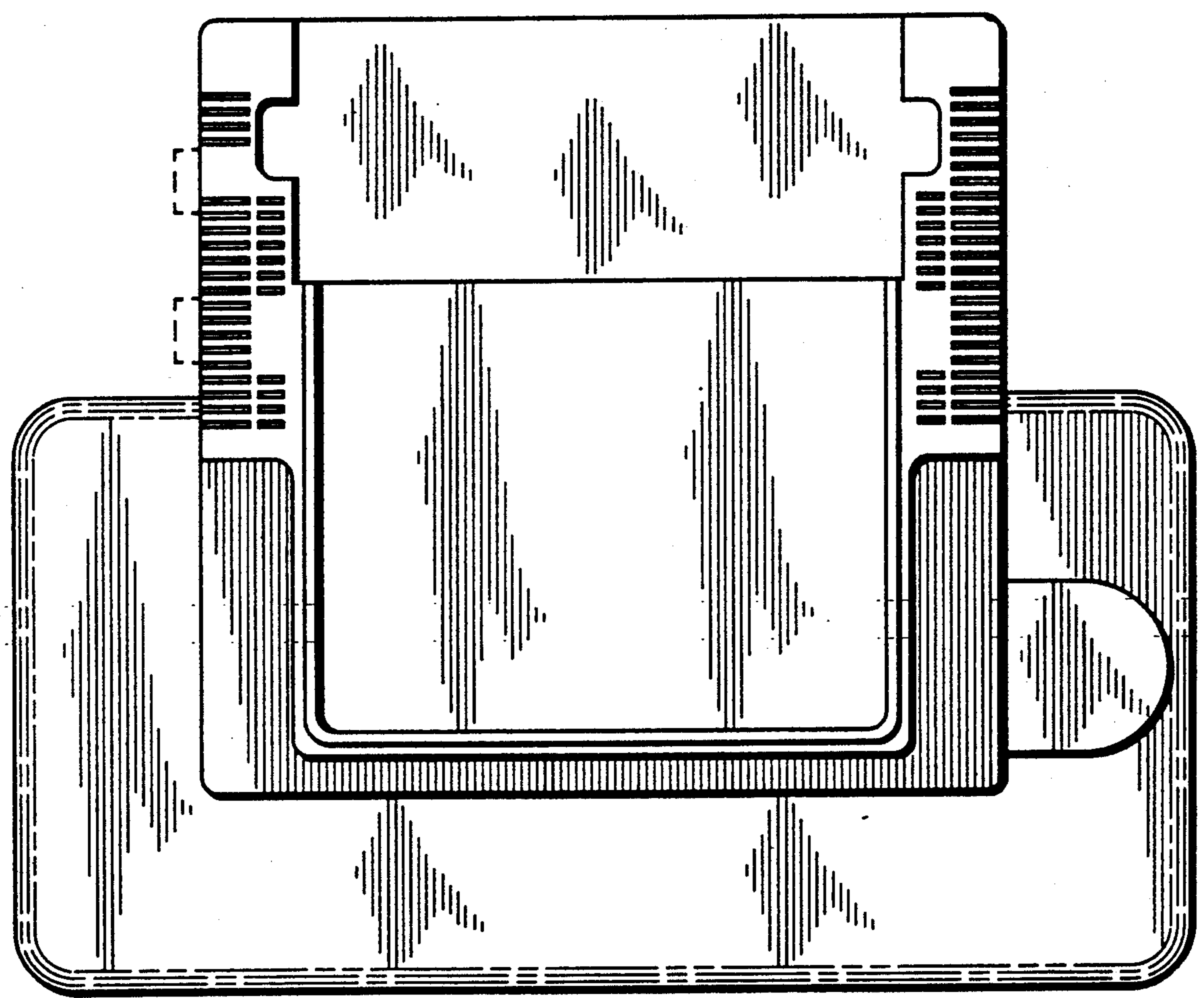


FIG. 4