

[54] ELECTRICAL INSULATOR WITH INTEGRAL CIRCUIT-PARAMETER SENSING FEATURES

[75] Inventors: Henry W. Scherer, Mt. Prospect; Bruce A. Biller, Chicago; Roy T. Swanson, North Riverside, all of Ill.

[73] Assignee: S&C Electric Company, Chicago, Ill.

[**] Term: 14 Years

[21] Appl. No.: 331,570

[22] Filed: Mar. 30, 1989

[52] U.S. Cl. D13/132

[58] Field of Search D13/158, 160, 169, 129-132; 200/48 R, 48 P, 48 A, 48 B, 146 R; 174/152 R, 152 E

[56] References Cited

U.S. PATENT DOCUMENTS

D. 256,354 8/1980 Ramos D13/129
D. 256,355 8/1980 Evans et al. D13/129

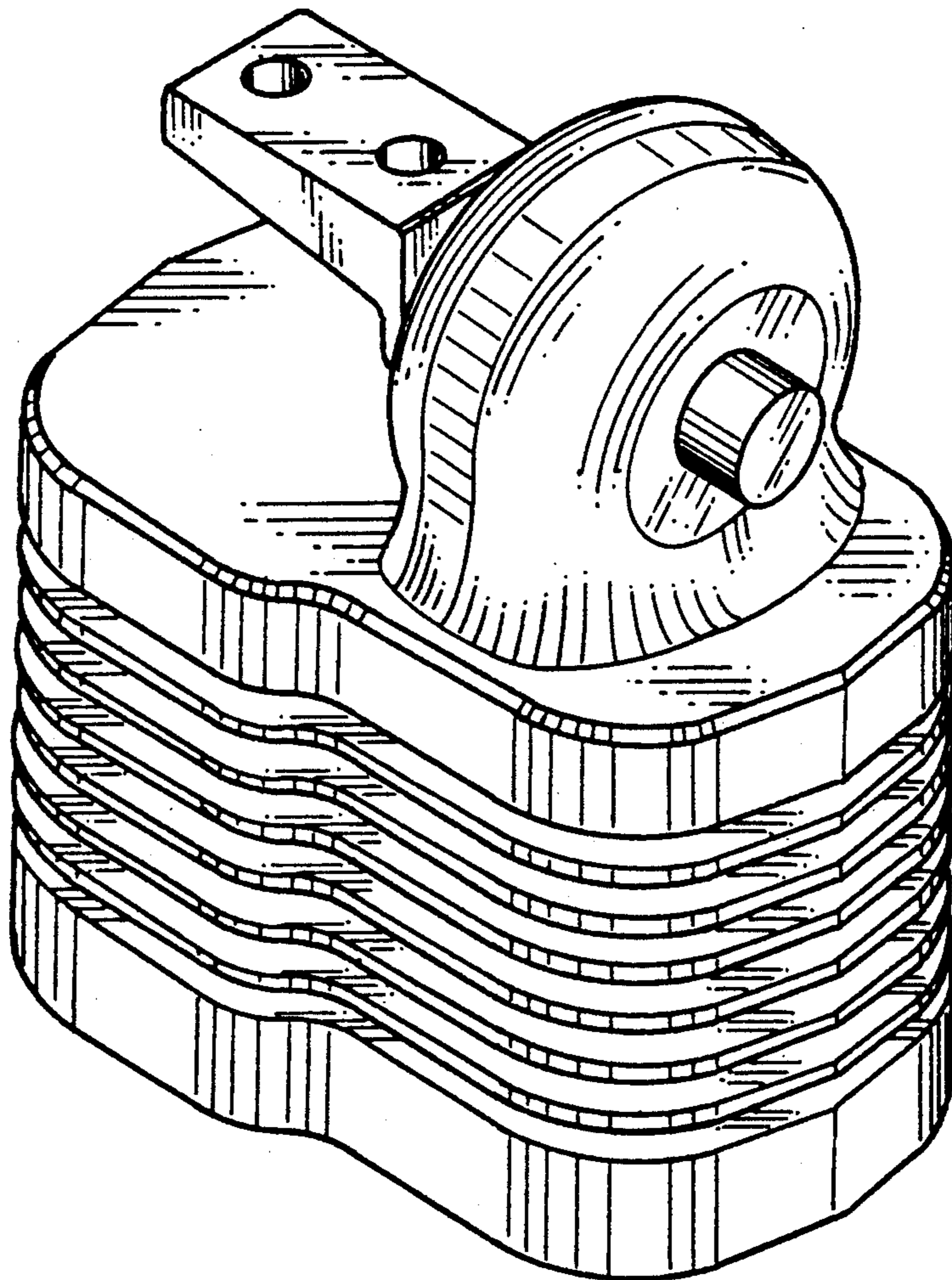
Primary Examiner—Susan J. Lucas
Assistant Examiner—Joel Sincavage
Attorney, Agent, or Firm—James V. Lapacek

[57] CLAIM

The ornamental design for an electrical insulator with integral circuit-parameter sensing features, as shown and described.

DESCRIPTION

FIG. 1 is a perspective view of an electrical insulator with integral circuit-parameter sensing features showing our new design;
FIG. 2 is a front elevational view thereof;
FIG. 3 is a rear elevational view thereof;
FIG. 4 is a left side elevational view thereof, the right side elevational view being a mirror image;
FIG. 5 is a top plan view thereof;
FIG. 6 is a bottom plan view thereof.



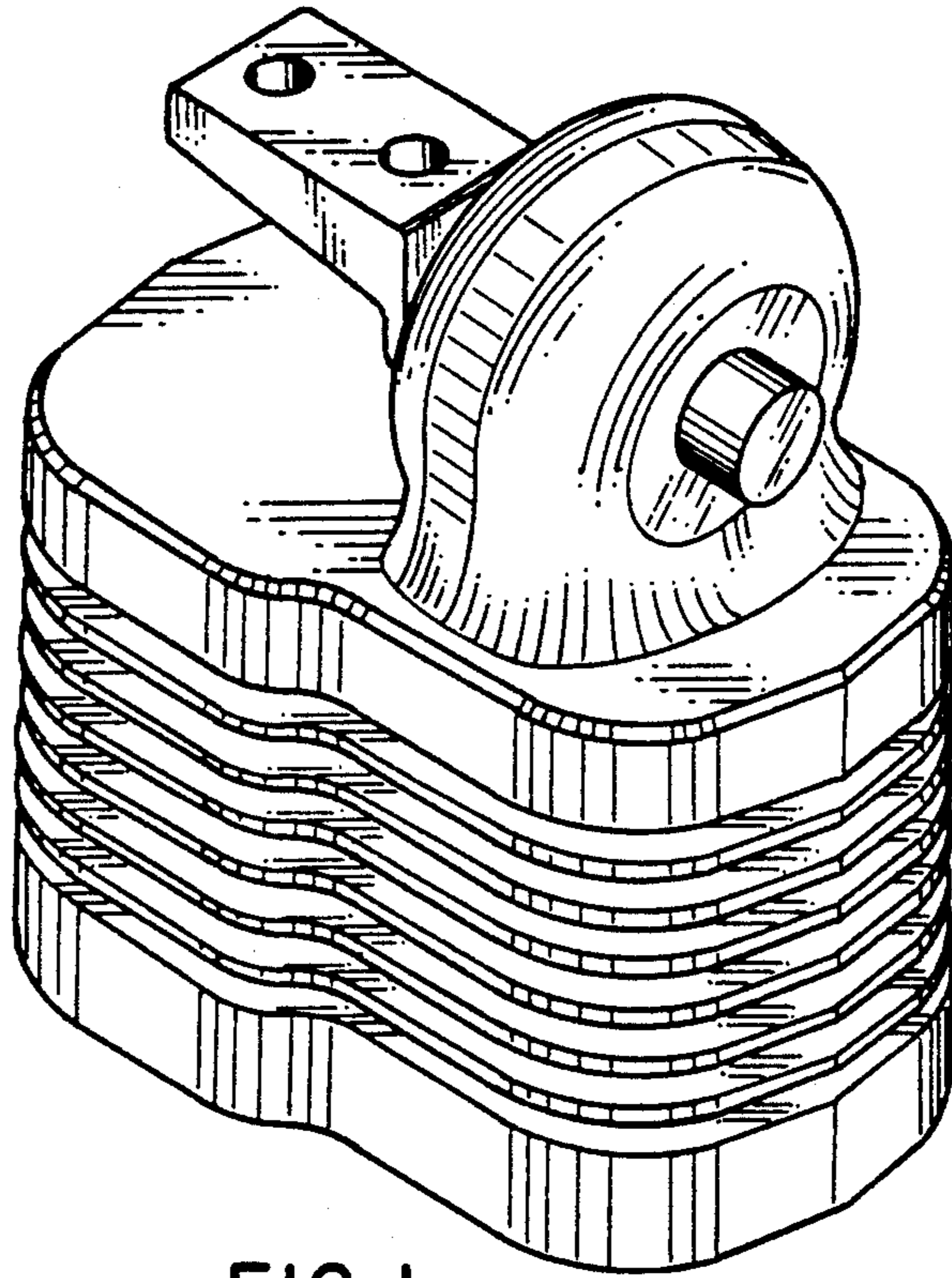


FIG. 1

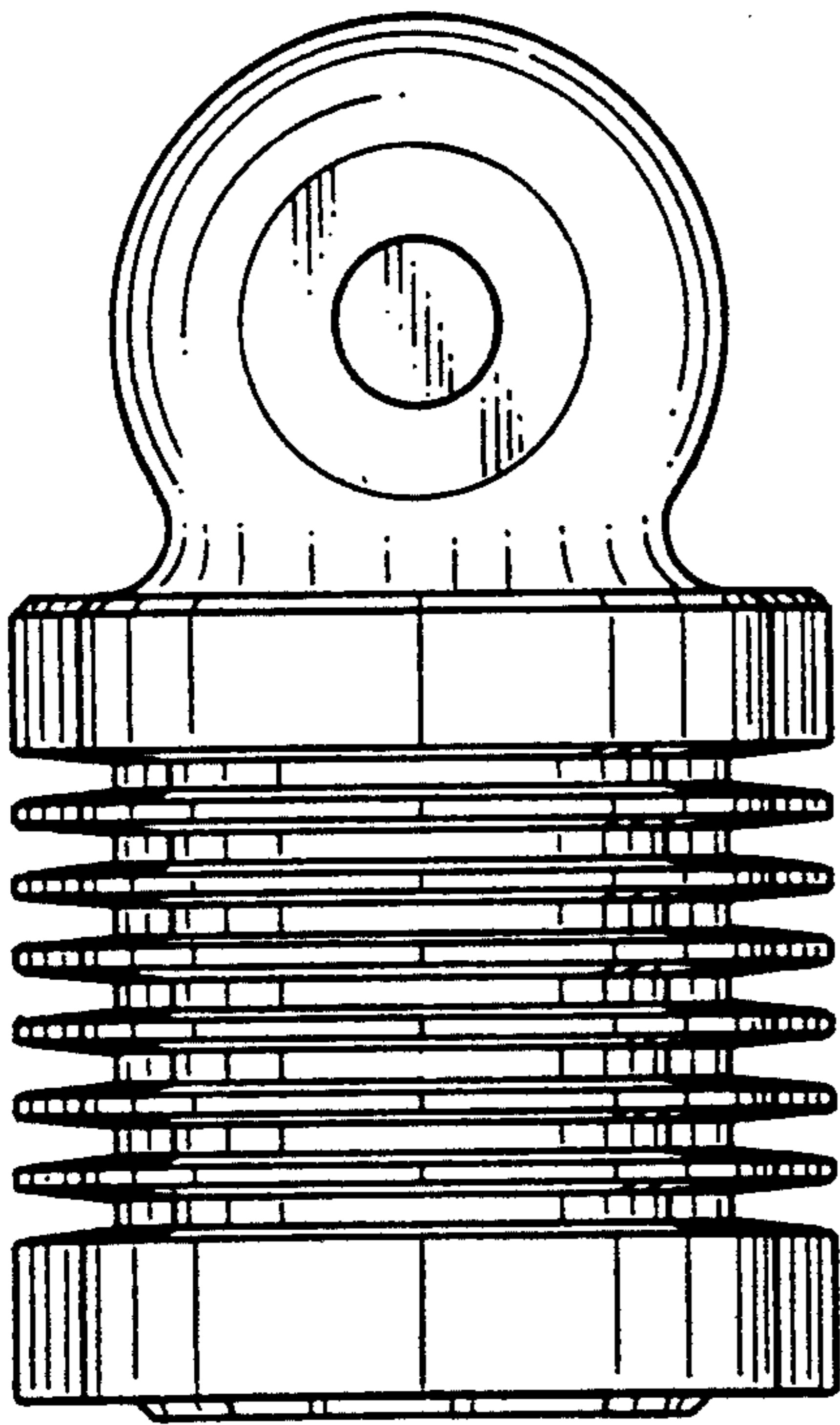


FIG. 2

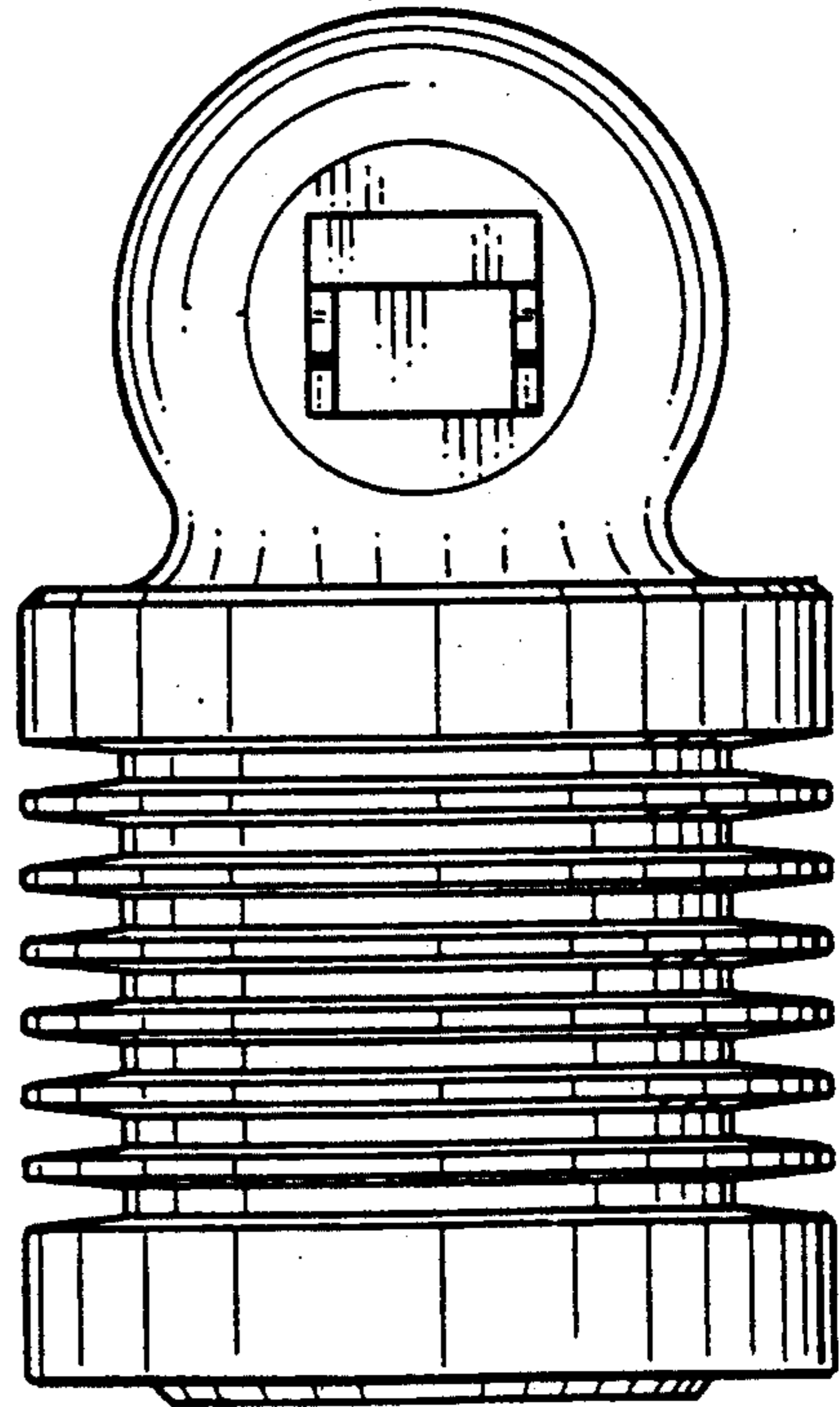


FIG. 3

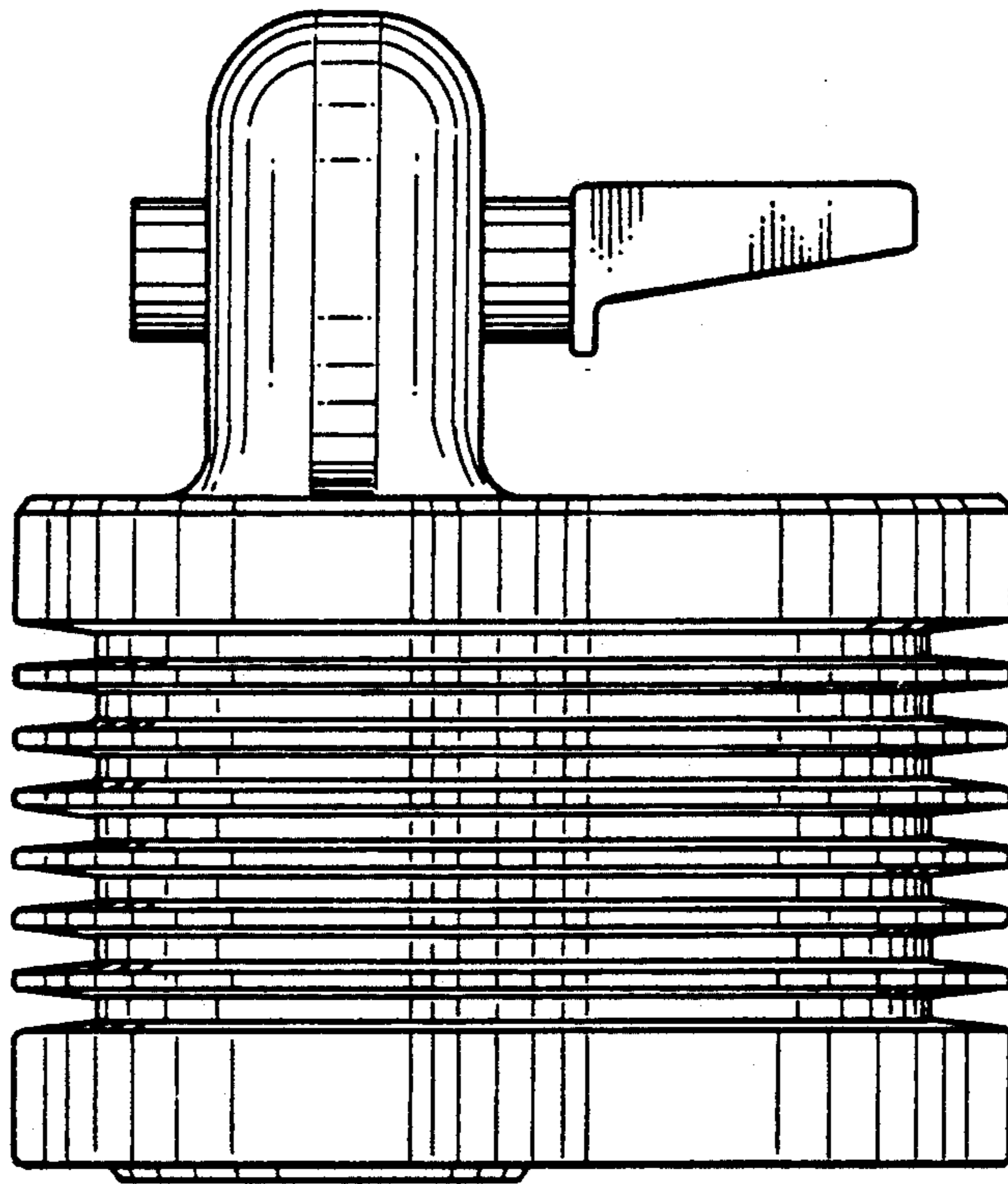


FIG. 4

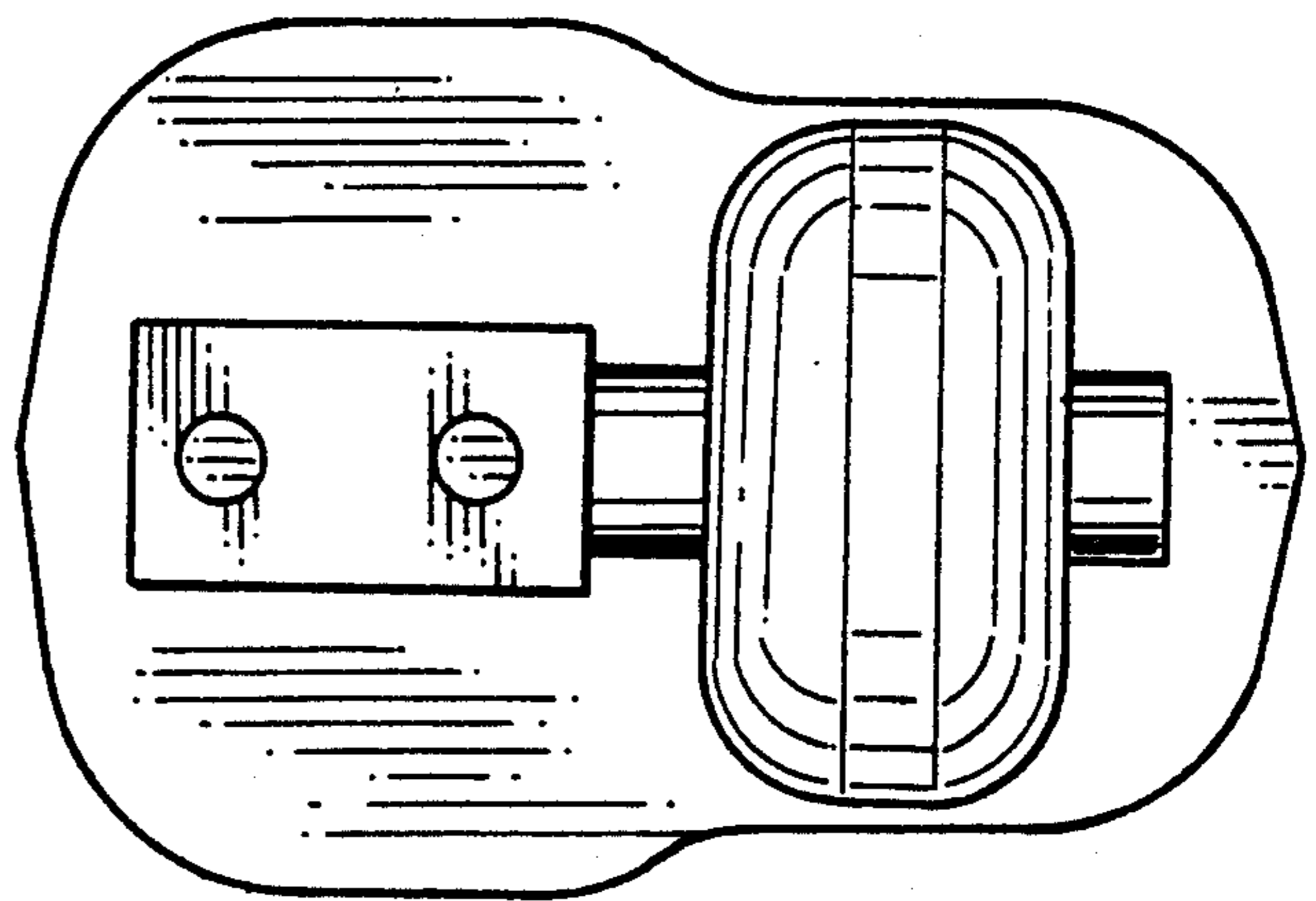


FIG. 5

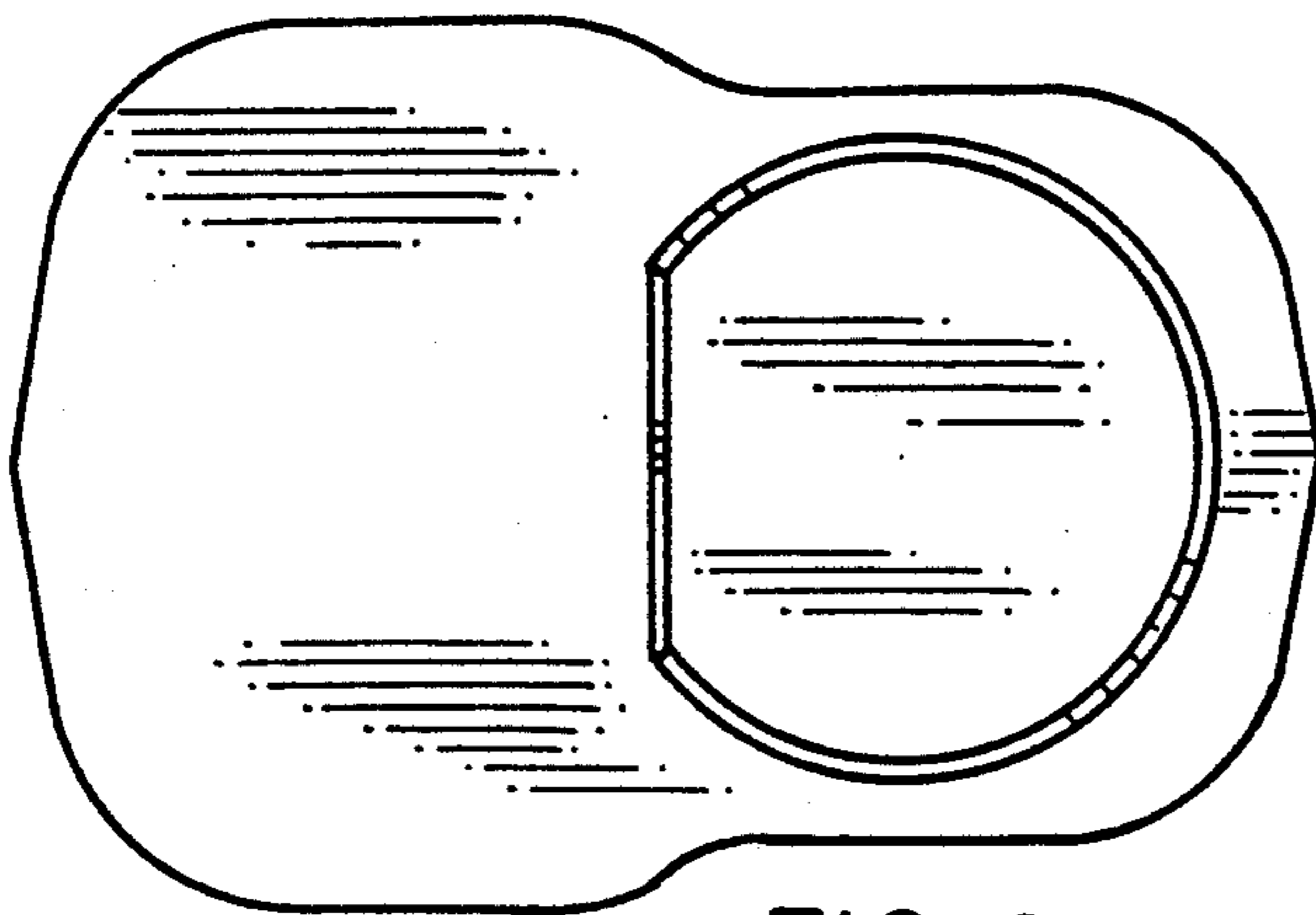


FIG. 6