

[54] AIRPLANE

[75] Inventor: Darold B. Cummings, Hawthorne, Calif.

[73] Assignee: Rockwell International Corporation, El Segundo, Calif.

[**] Term: 14 Years

[21] Appl. No.: 365,052

[22] Filed: Jun. 12, 1989

[52] U.S. Cl. D12/337; D12/342

[58] Field of Search D12/319, 338, 342, 337; 244/45 A, 15, 46

[56]

References Cited

U.S. PATENT DOCUMENTS

- D. 191,149 8/1961 Eaton D12/337
- D. 274,510 7/1984 McComas et al. D12/338

Primary Examiner—Kay H. Chin
Attorney, Agent, or Firm—Charles T. Silberberg

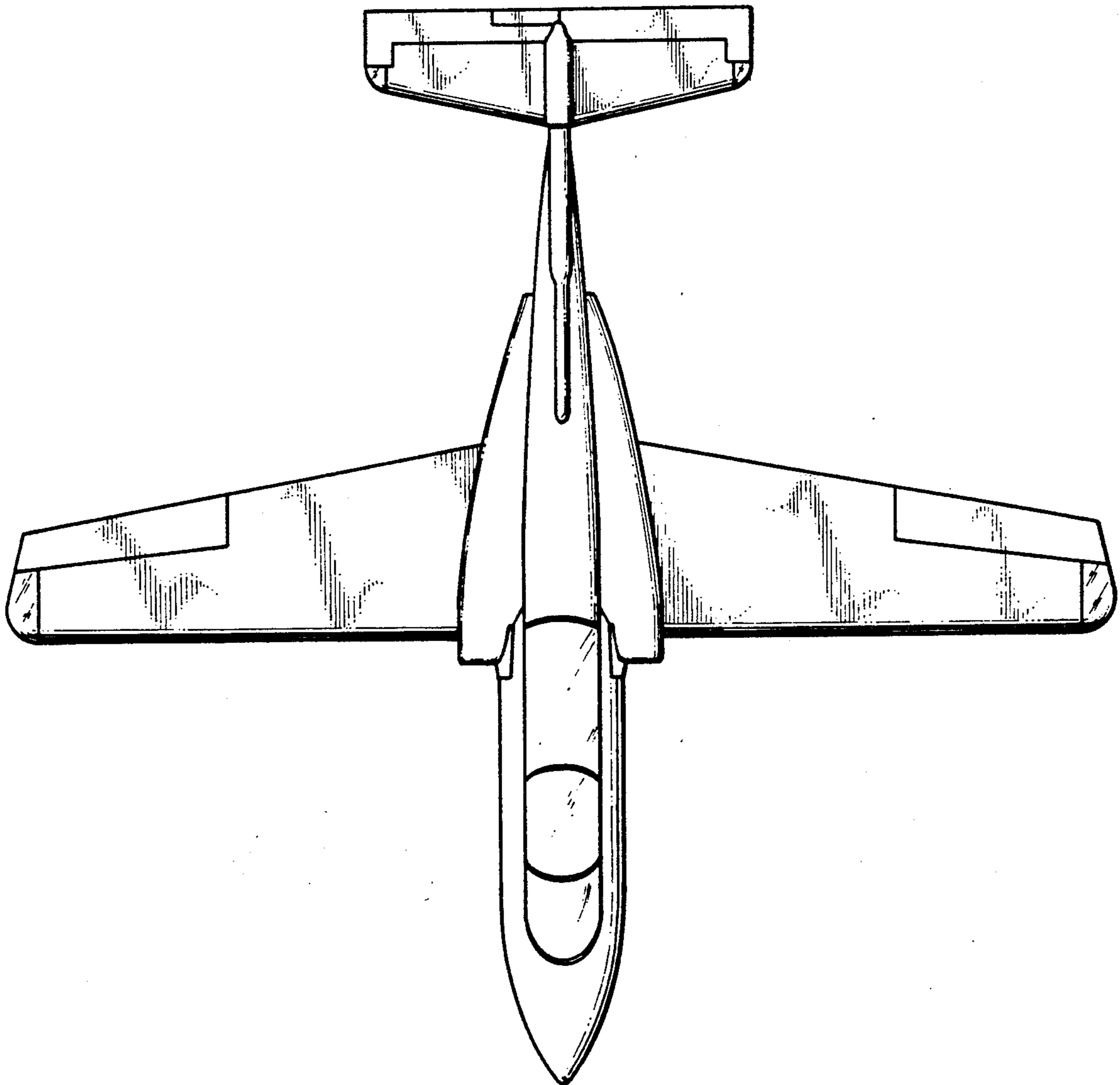
[57]

CLAIM

The ornamental design for an airplane, as shown and described.

DESCRIPTION

FIG. 1 is a top plan view of an airplane showing my new design;
 FIG. 2 is a front elevational view thereof;
 FIG. 3 is a rear elevational view thereof;
 FIG. 4 is a bottom plan view thereof; and
 FIG. 5 is a left side elevational view thereof, the right side being a mirror image thereof.



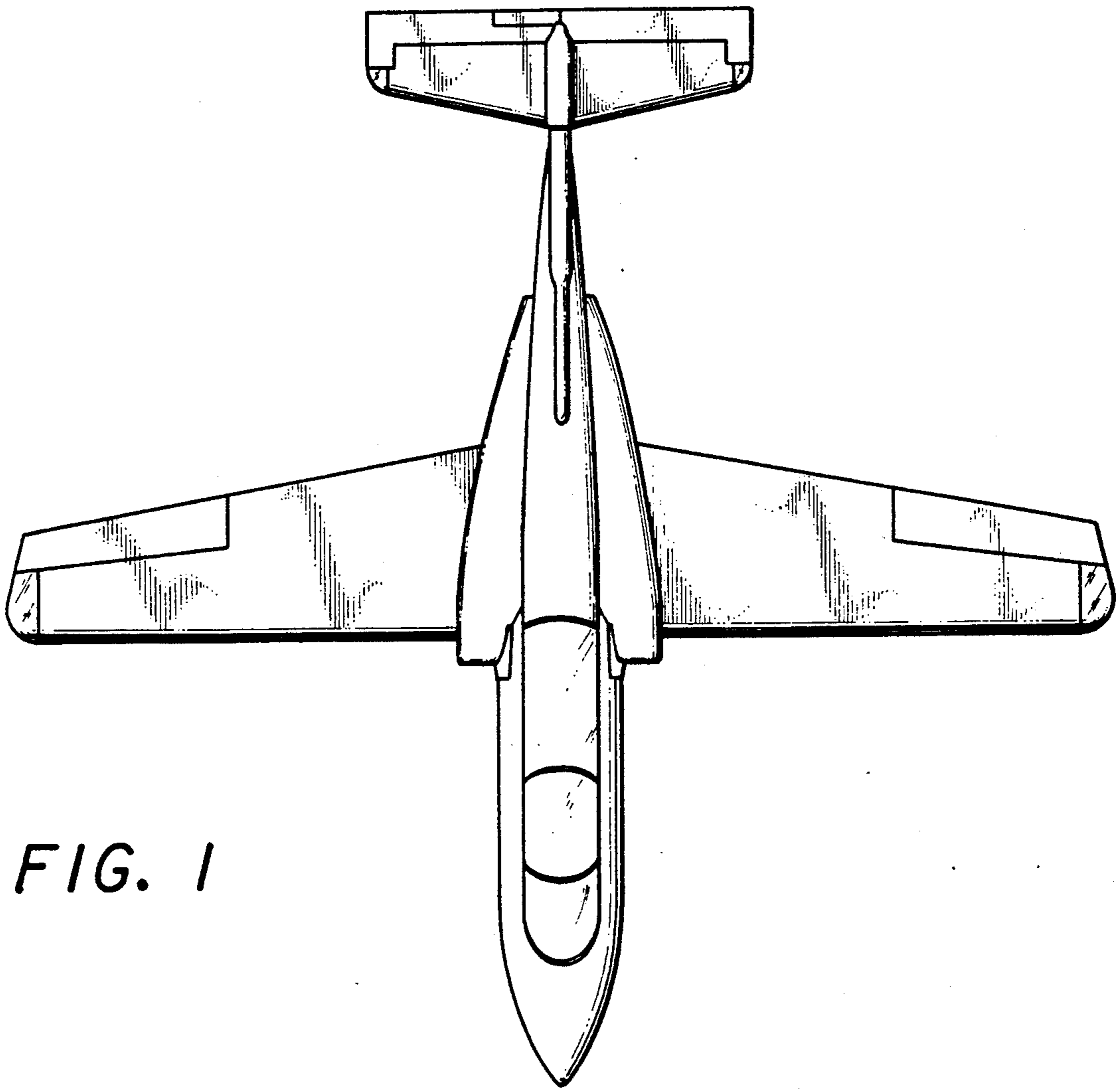


FIG. 1

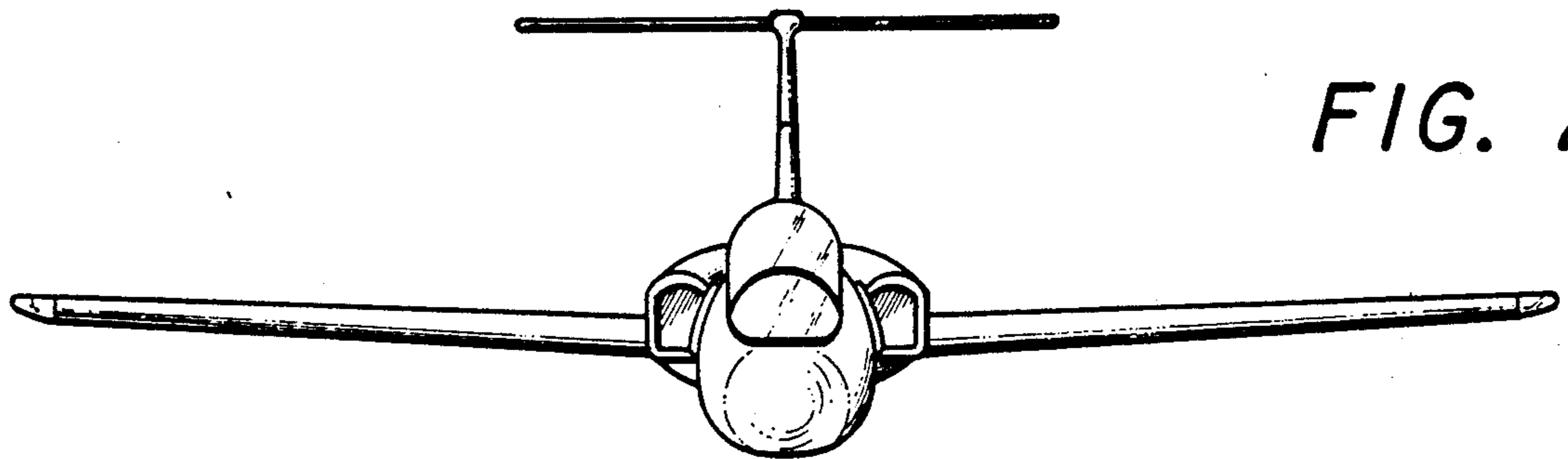


FIG. 2

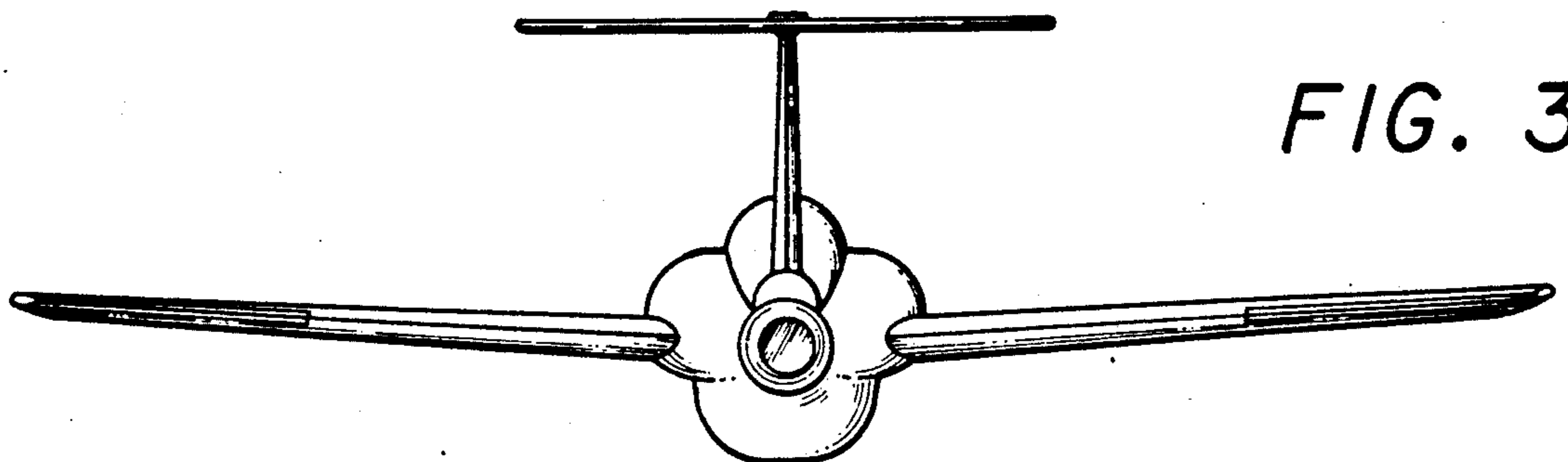


FIG. 3

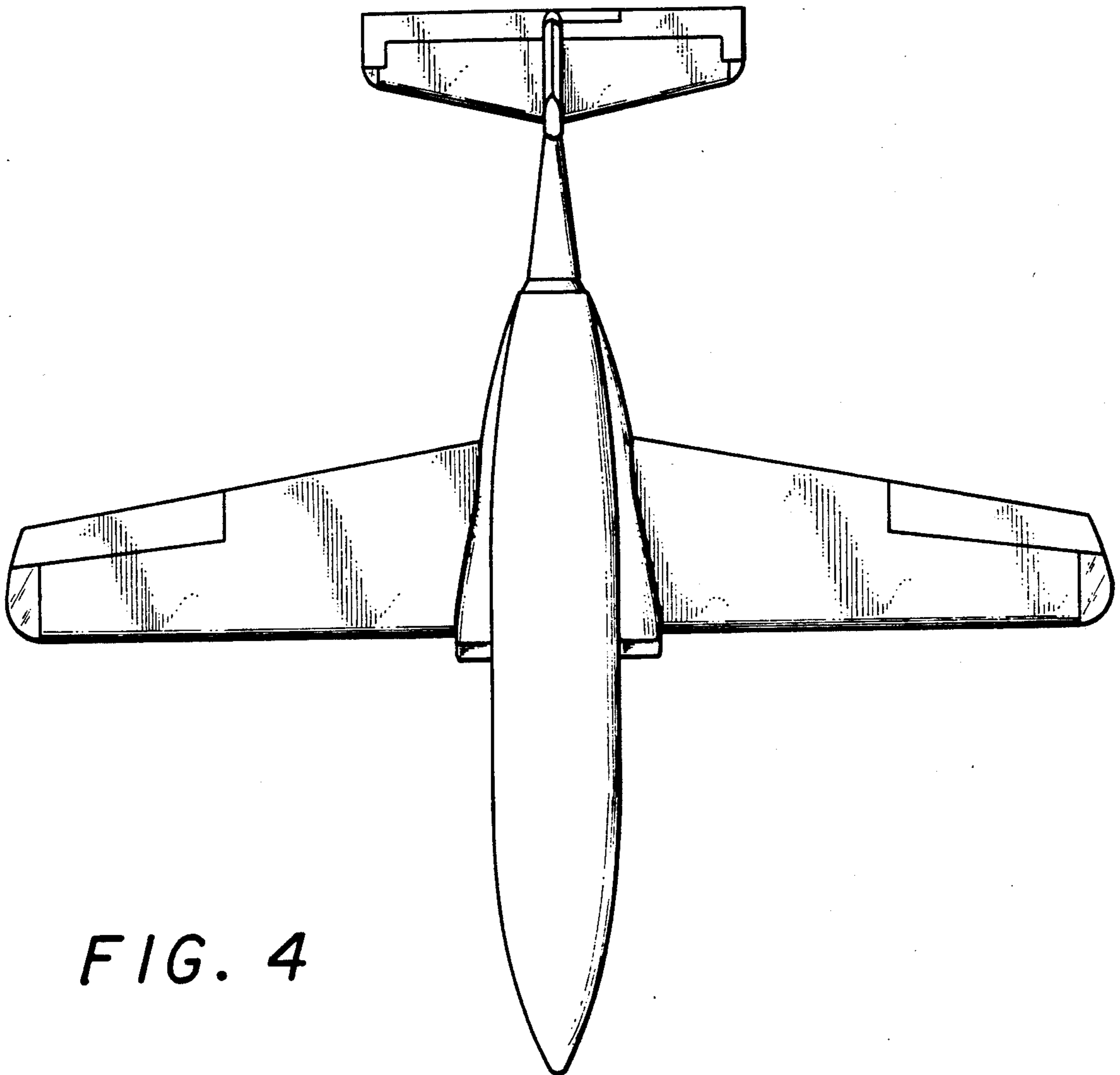


FIG. 4

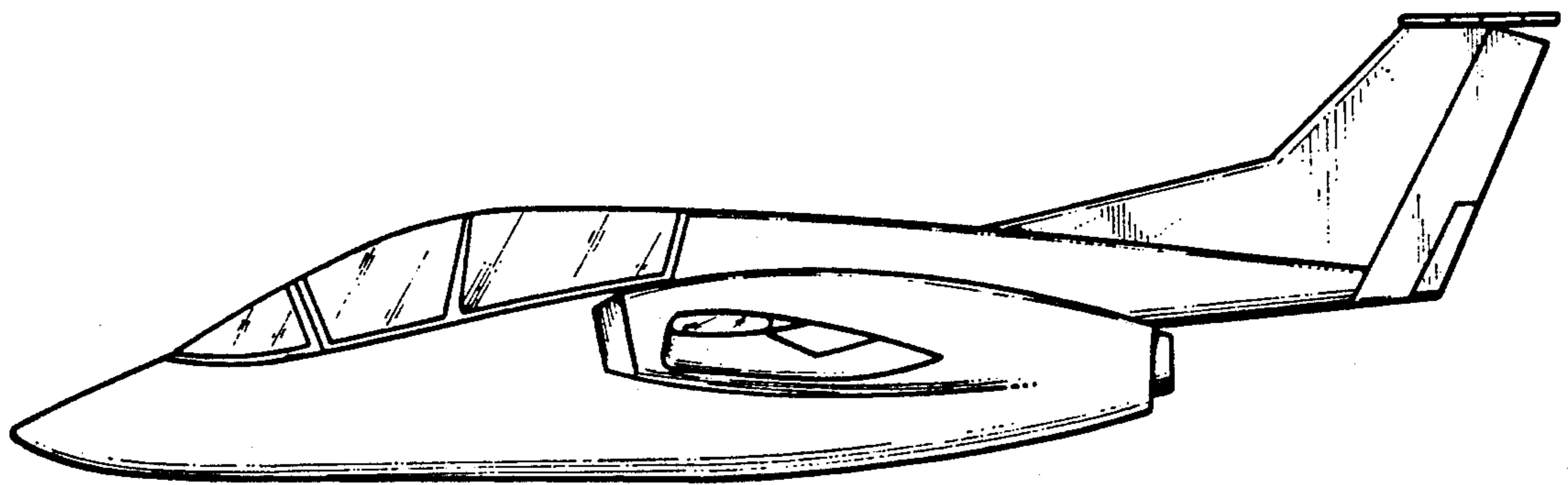


FIG. 5