

# United States Patent [19]

Dowd et al.

[11] Patent Number: **Des. 317,430**

[45] Date of Patent: **\*\* Jun. 11, 1991**

[54] **AUTOMOBILE SUN VISOR MIRROR UNIT**

4,764,852 8/1988 Sakuma ..... 362/135

[75] Inventors: **James D. Dowd**, Farmington Hills;  
**Stephen P. McGarry**, Rochester Hills;  
**Robert S. Migrin**, Dearborn;  
**Robert C. Burdick**, Romulus, all of Mich.

*Primary Examiner*—James M. Gandy

[73] Assignee: **United Technologies Automotive**, Dearborn, Mich.

[57] **CLAIM**

[\*\*] Term: **14 Years**

The ornamental design for an automobile sun visor mirror unit, as shown and described.

[21] Appl. No.: **258,252**

**DESCRIPTION**

[22] Filed: **Oct. 14, 1988**

[52] U.S. Cl. .... **D12/191**

[58] Field of Search ..... **D12/191; D6/308;**  
362/135; 296/97.1, 97.2, 97.4, 97.5, 97.6, 97.7,  
97.8, 97.9, 97.11, 97.12

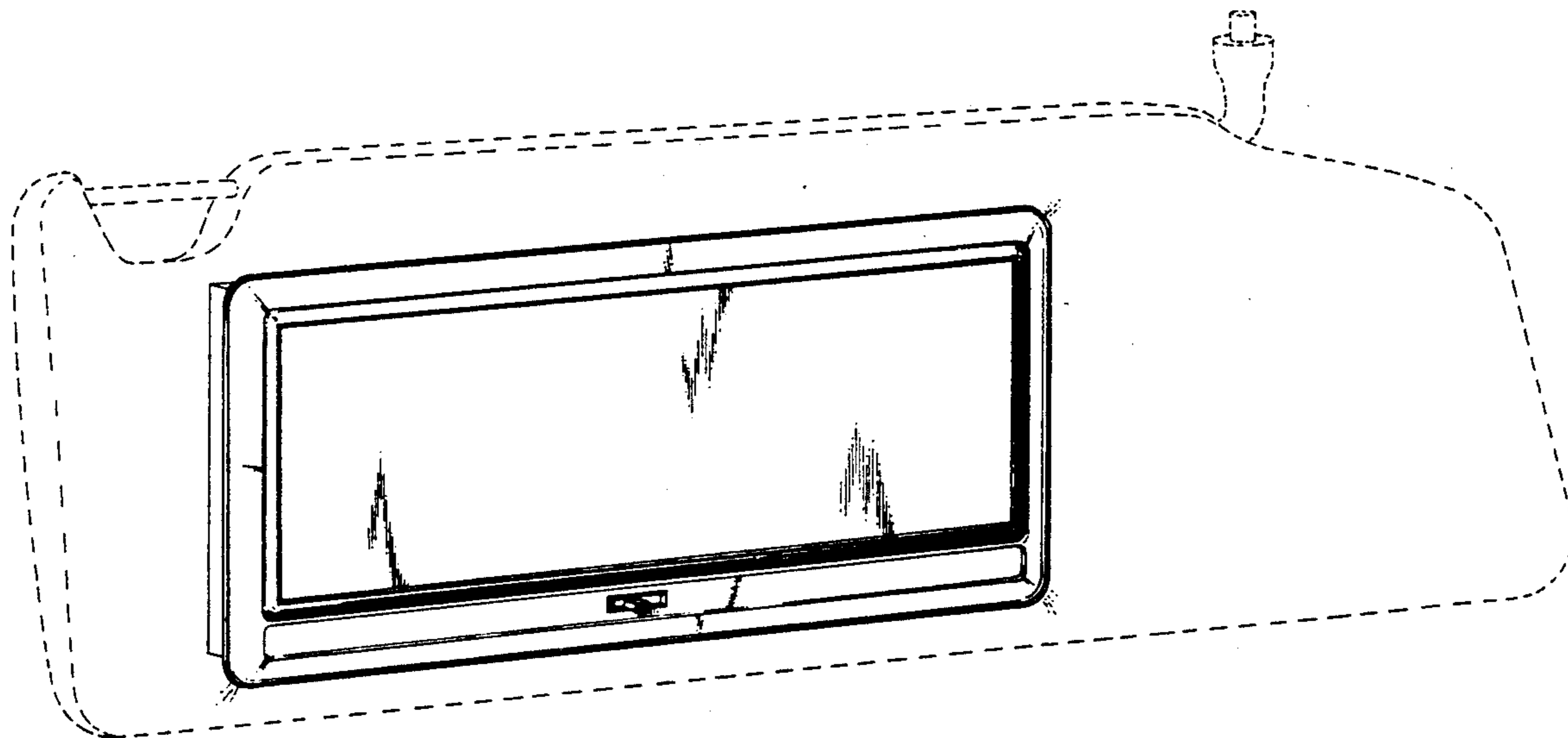
FIG. 1 is a perspective view of an automobile sun visor mirror unit showing our new design;  
FIG. 2 is a top plan view thereof;  
FIG. 3 is a right side elevation view thereof, the left side being a mirror image of that shown;  
FIG. 4 is a front elevation view thereof with the cover in open condition;  
FIG. 5 is a bottom plan view of the unit as illustrated in FIG. 4;  
FIG. 6 is a rear elevation view of the unit as illustrated in FIG. 4; and  
FIG. 7 is a right side elevation view of the unit as illustrated in FIG. 4.

[56] **References Cited**

**U.S. PATENT DOCUMENTS**

D. 278,996 5/1985 Cheung ..... D12/191  
4,710,856 12/1987 Cheung ..... 362/135

The broken line showing of an automobile sun visor is for illustrative purposes only and forms no part of the claimed design.



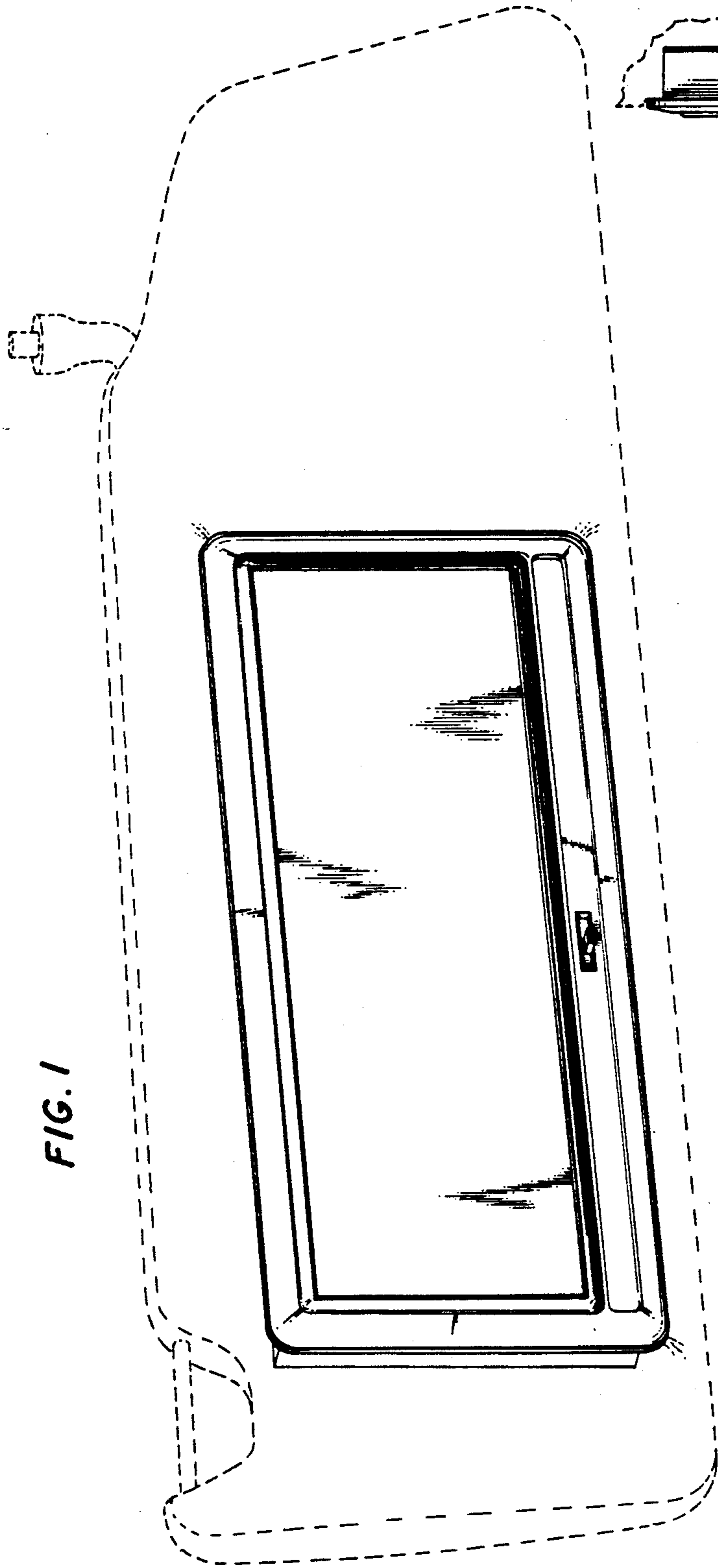


FIG. 1

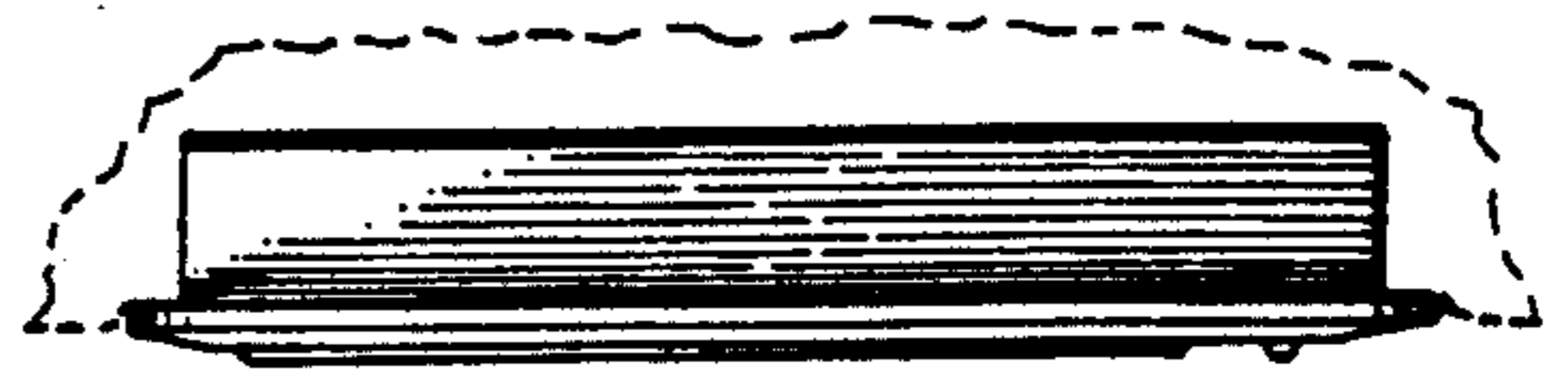


FIG. 3



FIG. 2

FIG. 4

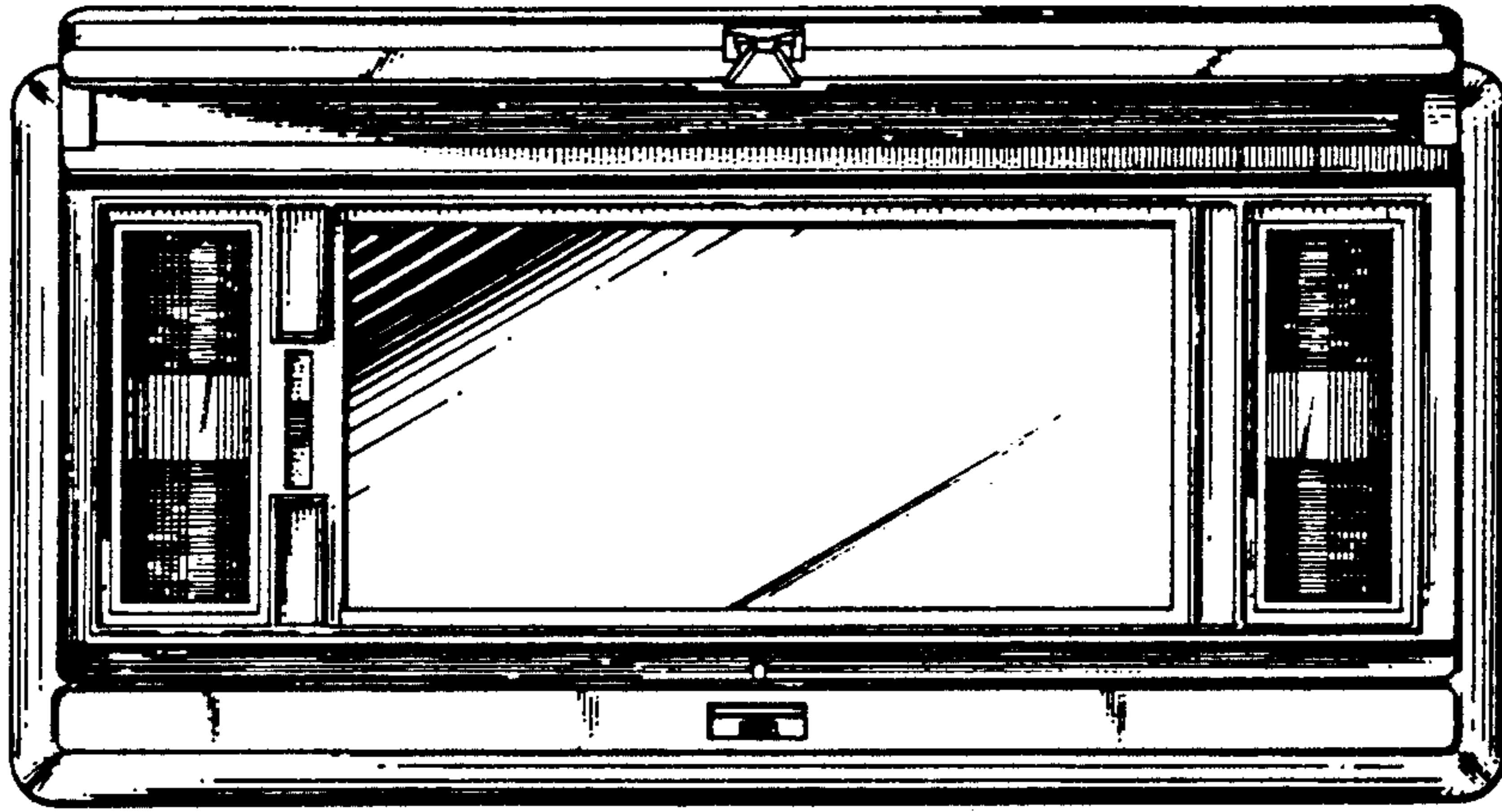


FIG. 5

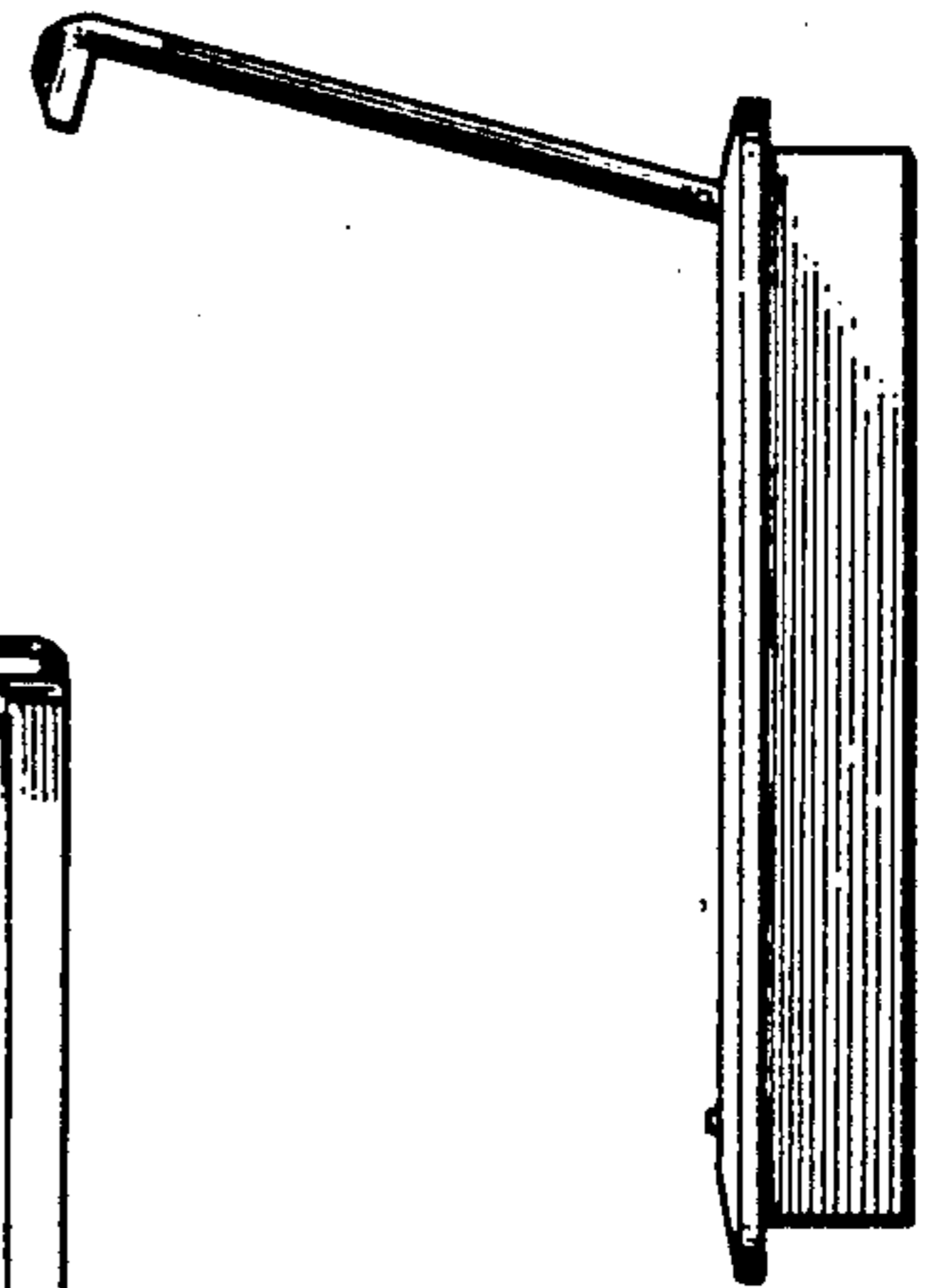
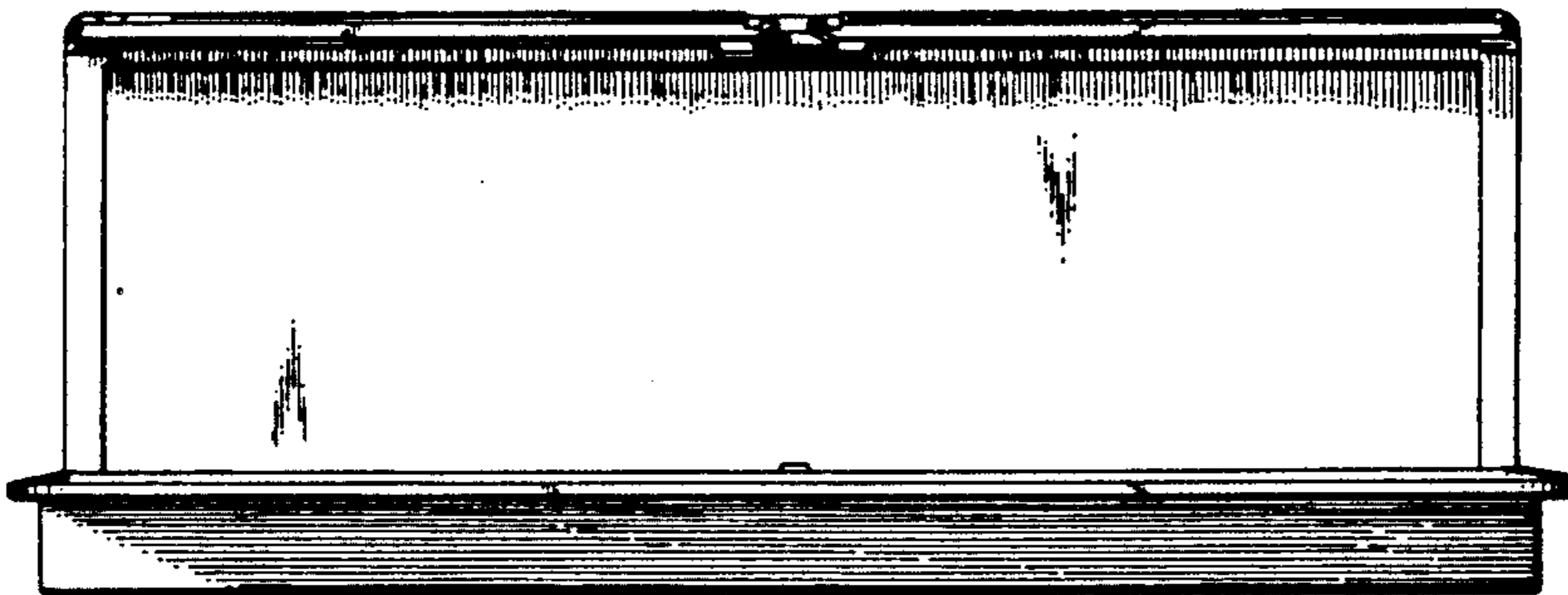


FIG. 7

FIG. 6

