

[54] AUXILIARY VEHICLE LIGHT BAR

[75] Inventor: Jeff A. Carr, Downey, Calif.

[73] Assignee: Carr Pattern Co., Inc., South Gate, Calif.

[**] Term: 14 Years

[21] Appl. No.: 258,447

[22] Filed: Oct. 17, 1988

[52] U.S. Cl. D12/156; D10/114; D26/138

[58] Field of Search D29/28-36; D12/156, 157; D10/114, 121; 362/61, 74, 80, 80.1, 80.2, 82, 83, 83.2, 83.3, 227, 235, 236, 238, 240, 241, 244, 246, 249; 340/468, 471-479; 224/329, 322, 323, 324

[56] References Cited

U.S. PATENT DOCUMENTS

3,281,030 10/1966 Gosswiller D10/114
3,677,451 7/1972 Burland 224/322

3,920,167 11/1975 Parsons 224/323 X
4,120,432 10/1978 Eby 224/322
4,428,037 1/1984 Cardoza et al. 362/61 X

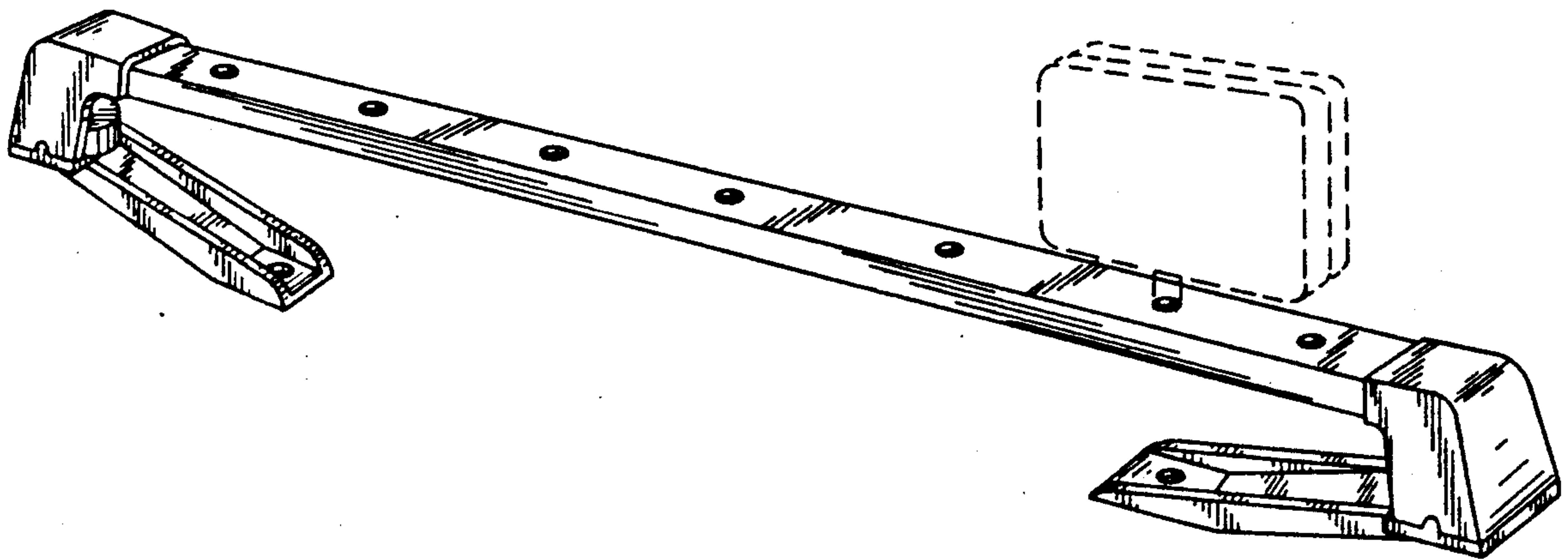
Primary Examiner—Susan J. Lucas
Attorney, Agent, or Firm—Edward A. Sokolski

[57] CLAIM

The ornamental design for an auxiliary vehicle light bar, as shown and described.

DESCRIPTION

FIG. 1 is a side elevational view of an auxiliary vehicle light bar showing my new design, the opposite side being a mirror image thereof;
FIG. 2 is an end elevational view thereof on an enlarged scale;
FIG. 3 is a cross-sectional view thereof on an enlarged scale as taken along line 3—3 of FIG. 1;
FIG. 4 is a top perspective view thereof;
FIG. 5 is a top plan view thereof; and
FIG. 6 is a bottom plan view thereof;
The light is shown in broken lines in FIG. 4 for illustrative purposes only.



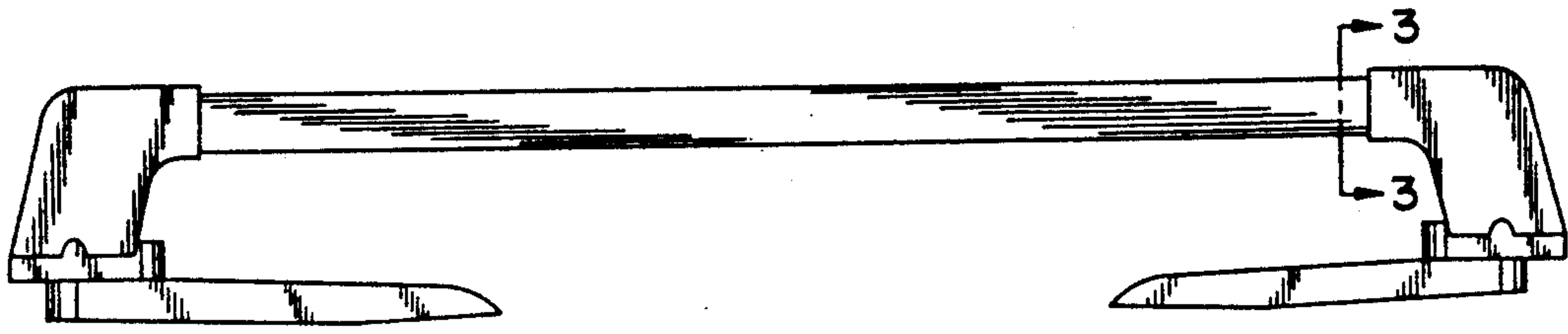


FIG. 1

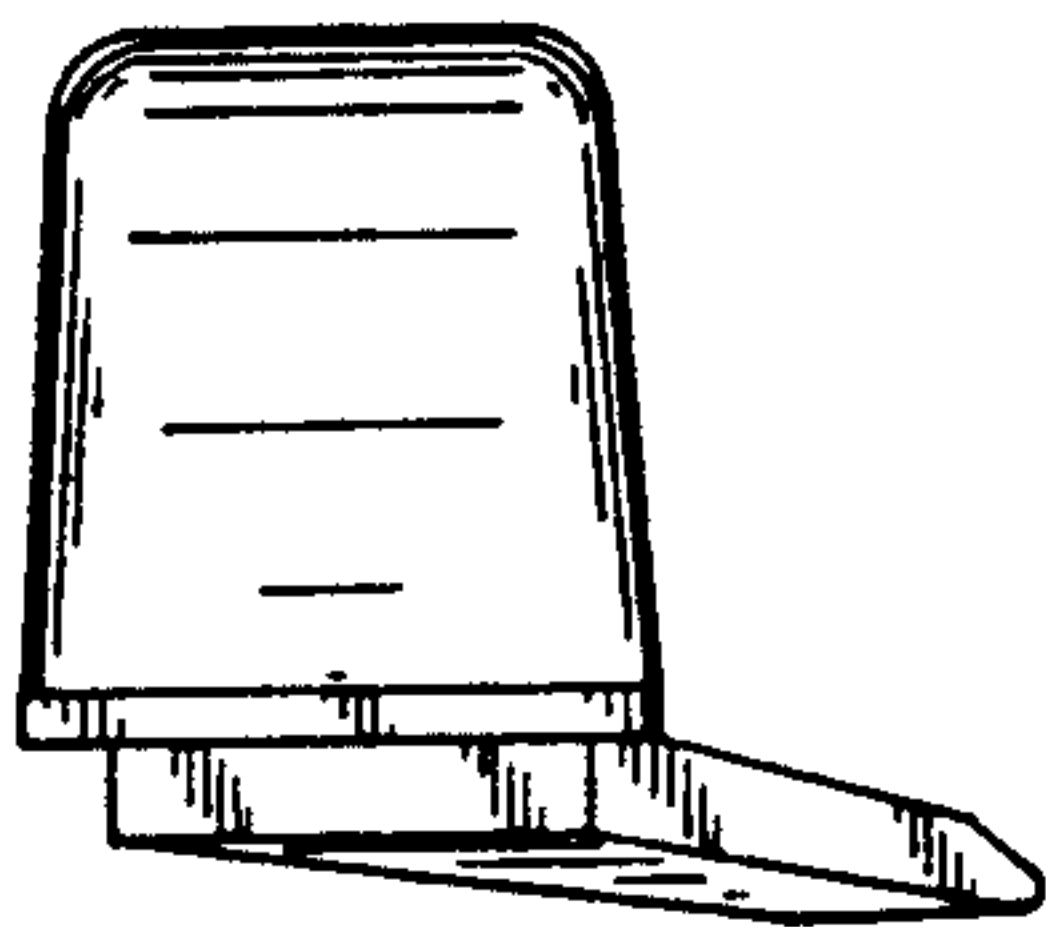


FIG. 2

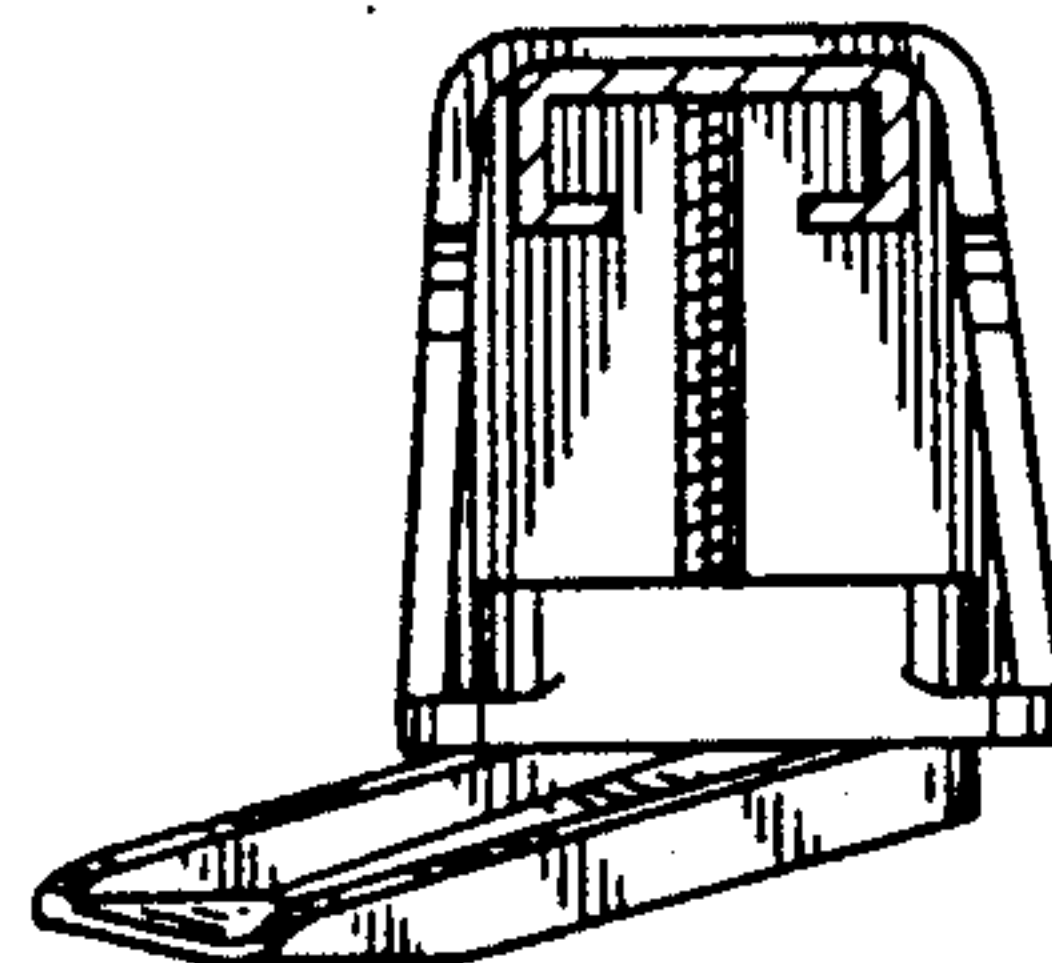


FIG. 3

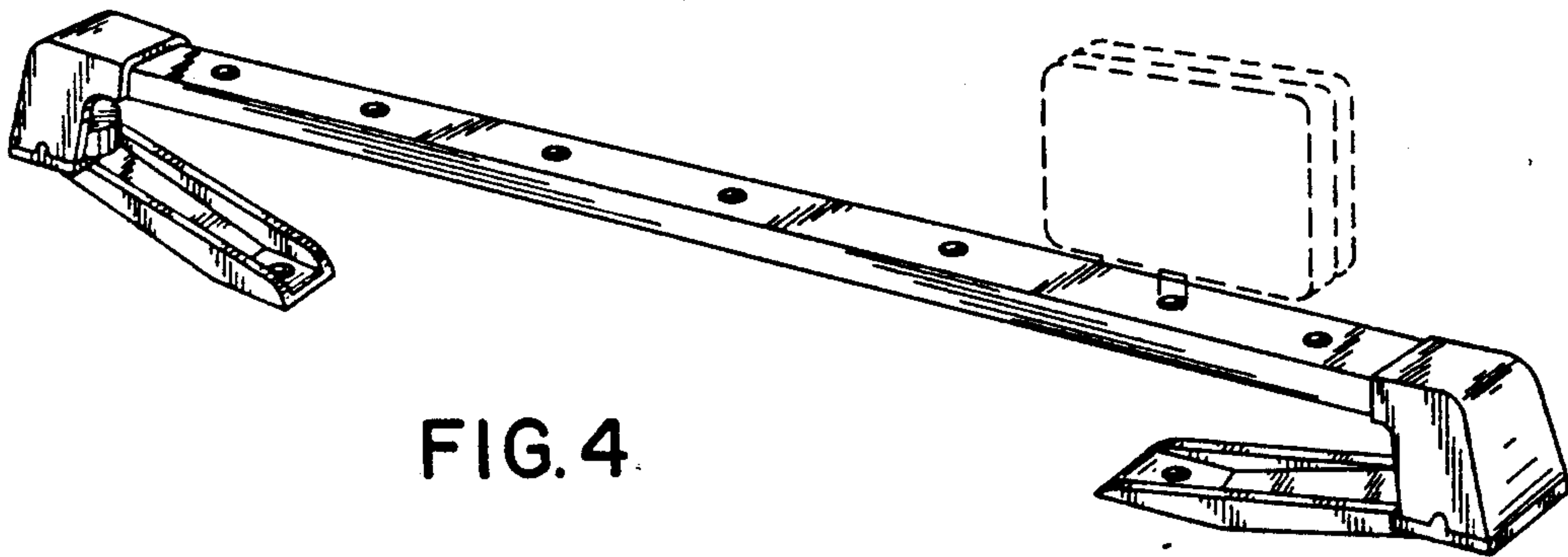


FIG. 4

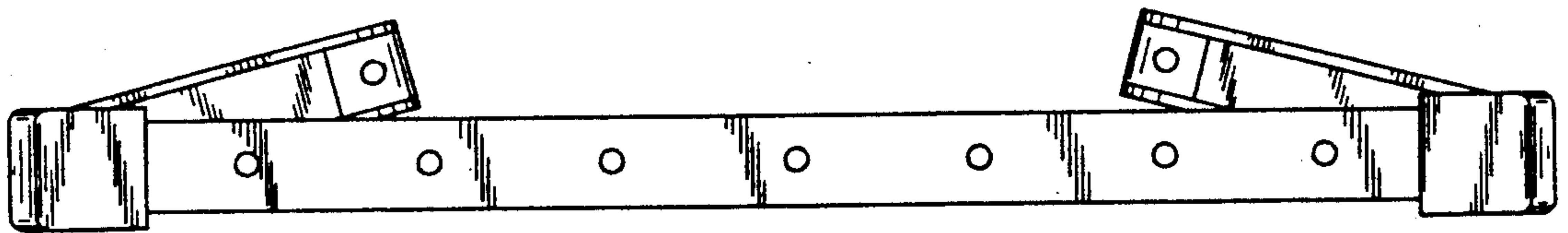


FIG. 5

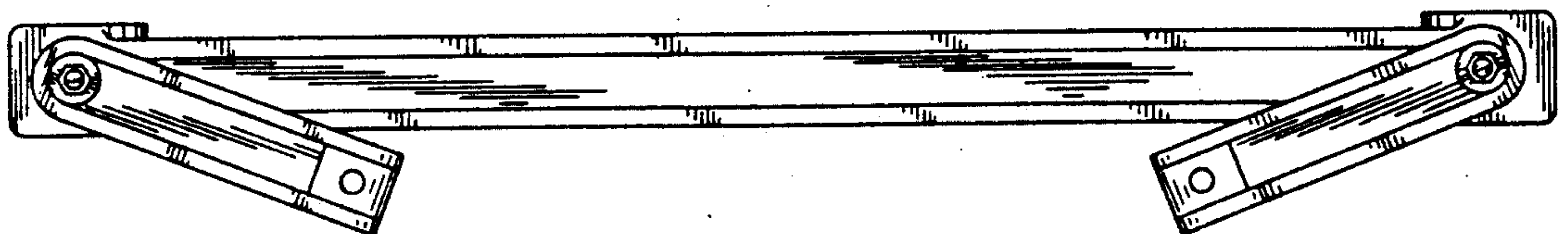


FIG. 6