

[54] **PIZZA CONTAINER**
 [75] **Inventors: Edward L. Ott, Oak Park; Timothy F. Conway, Riverside; Thomas S. Kubala, Chicago, all of Ill.**
 [73] **Assignee: Restaurant Technology, Inc., Oak Brook, Ill.**
 [**] **Term: 14 Years**
 [21] **Appl. No.: 266,031**
 [22] **Filed: Nov. 2, 1988**
 [52] **U.S. Cl. D9/426**
 [58] **Field of Search D9/424-428, D9/423, 431, 347, 346; 229/2.5 R, 4.5, 5.8, DIG. 13; 206/444, 822; 220/4 B, 4 E, DIG. 10, DIG. 13**

3,938,726 2/1976 Holden, Jr. et al. 229/2.5 R
 3,955,710 5/1976 Commisso 229/2.5 R X
 4,096,986 6/1978 Florian 220/4 B X
 4,127,189 11/1978 Shumrak et al. .
 4,132,344 1/1979 Jewell .
 4,653,685 3/1987 Leary et al. .
 4,848,543 7/1989 Doboze 206/551 X

FOREIGN PATENT DOCUMENTS

1100424 7/1978 Canada .

Primary Examiner—Bernard Ansher
Assistant Examiner—Prabhakar Deshmukh
Attorney, Agent, or Firm—Jenner & Block

[57] **CLAIM**

The ornamental design for a pizza container, as shown and described.

[56] **References Cited**

U.S. PATENT DOCUMENTS

D. 241,109 8/1976 Levin .
 D. 241,820 10/1976 Jewell .
 D. 241,822 10/1976 Jewell .
 D. 251,657 4/1979 Jewell .
 D. 251,895 5/1989 Belmuth et al. D9/426
 D. 254,776 4/1980 Edwards .
 D. 258,722 3/1981 Commisso et al. .
 D. 259,543 6/1981 Commisso et al. .
 D. 263,684 4/1982 Davis .
 D. 277,167 1/1985 Dart .
 D. 278,412 4/1985 Yeung .
 D. 282,245 1/1986 Yeung D9/425
 D. 304,908 12/1989 Natori D9/423
 D. 309,105 7/1990 Fisher et al. D9/425
 3,902,540 9/1975 Commisso .

DESCRIPTION

FIG. 1 is a perspective view of a pizza container showing our new design;
 FIG. 2 is a top plan view thereof;
 FIG. 3 is a bottom plan view thereof;
 FIG. 4 is a front elevation thereof;
 FIG. 5 is a right side elevation thereof, the left side elevation being a mirror image thereof;
 FIG. 6 is a rear elevation thereof;
 FIG. 7 is a modified form of FIG. 1 in a closed position;
 FIG. 8 is a top plan view of FIG. 7;
 FIG. 9 is a bottom plan view of FIG. 7;
 FIG. 10 is a front elevation of FIG. 7;
 FIG. 11 is a right side elevation view of FIG. 7, the left side elevation being a mirror image thereof; and
 FIG. 12 is a rear elevation of FIG. 7.

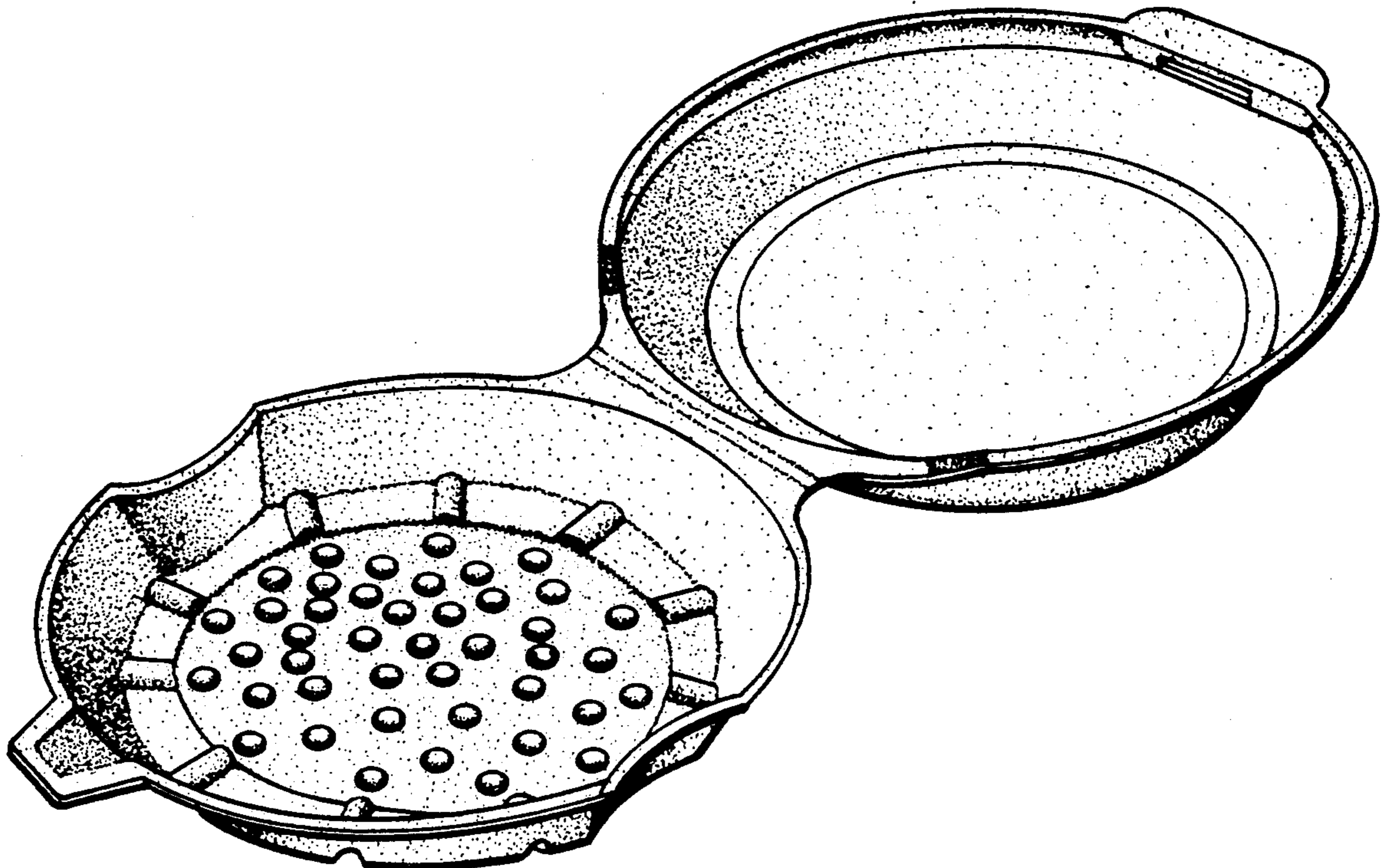


FIG. 1

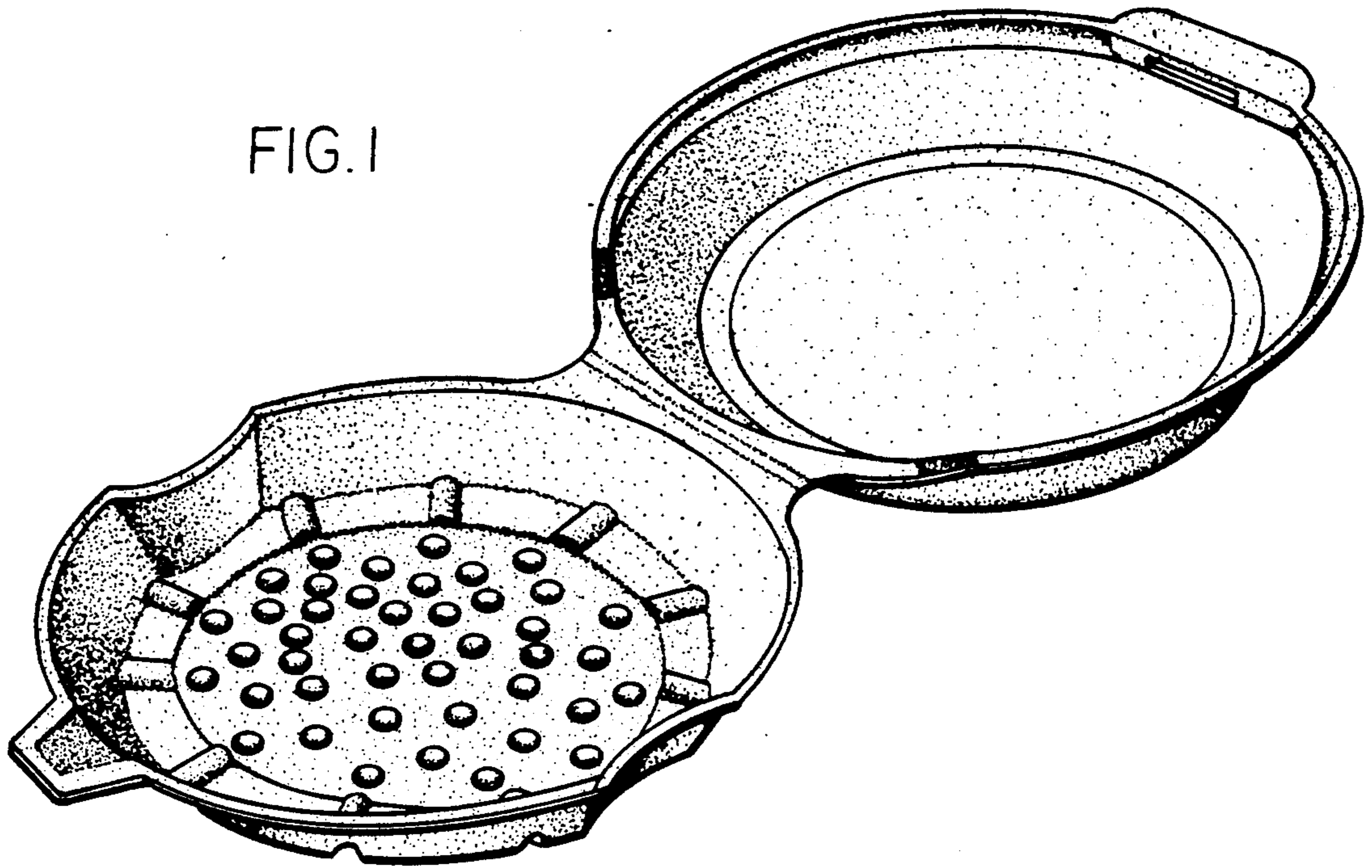


FIG. 4

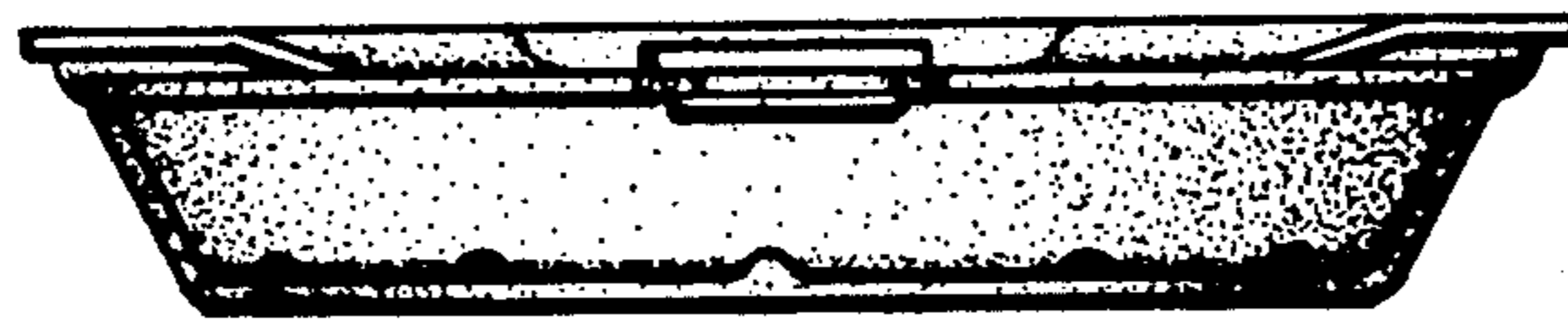


FIG. 5



FIG. 6



FIG. 2

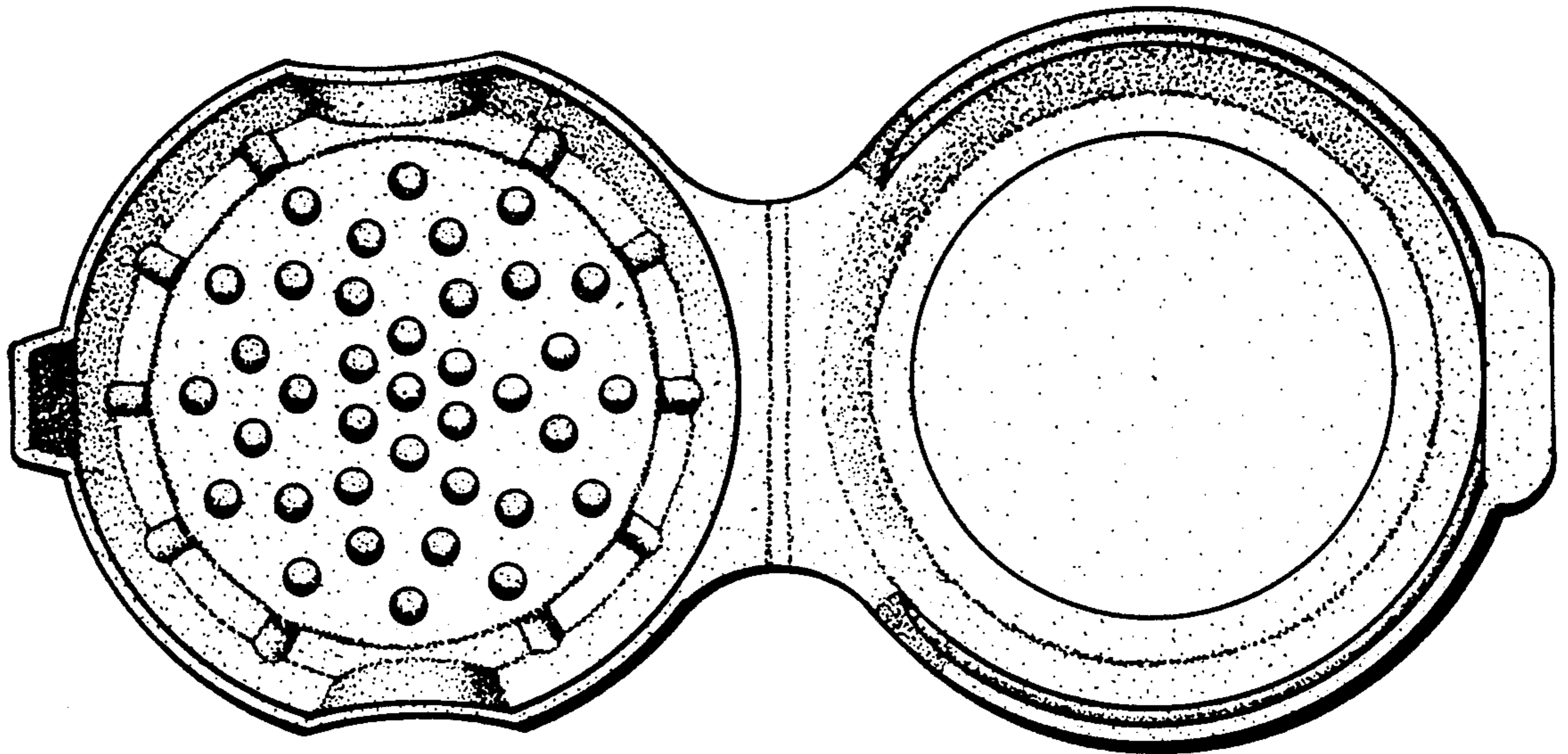


FIG. 3

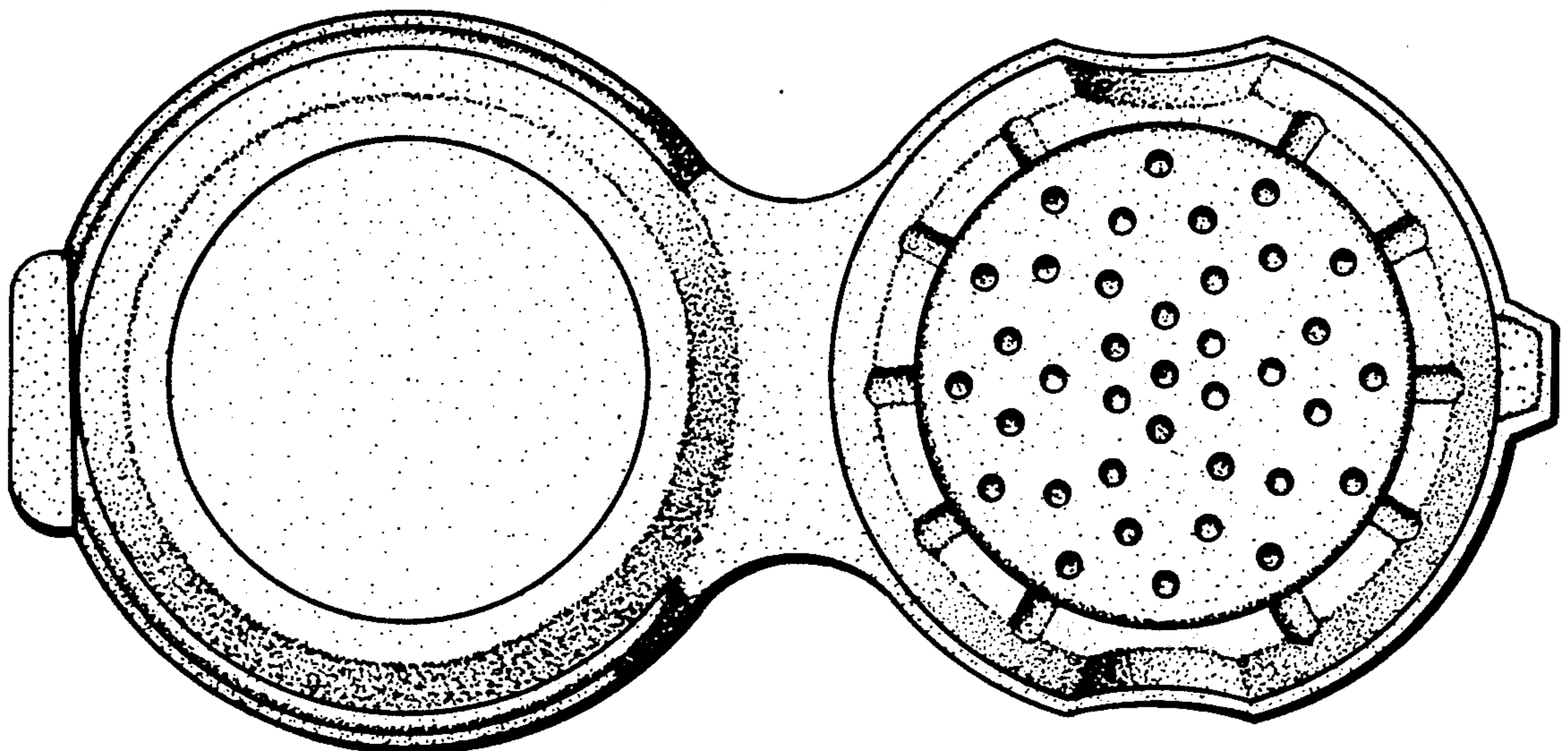


FIG. 7

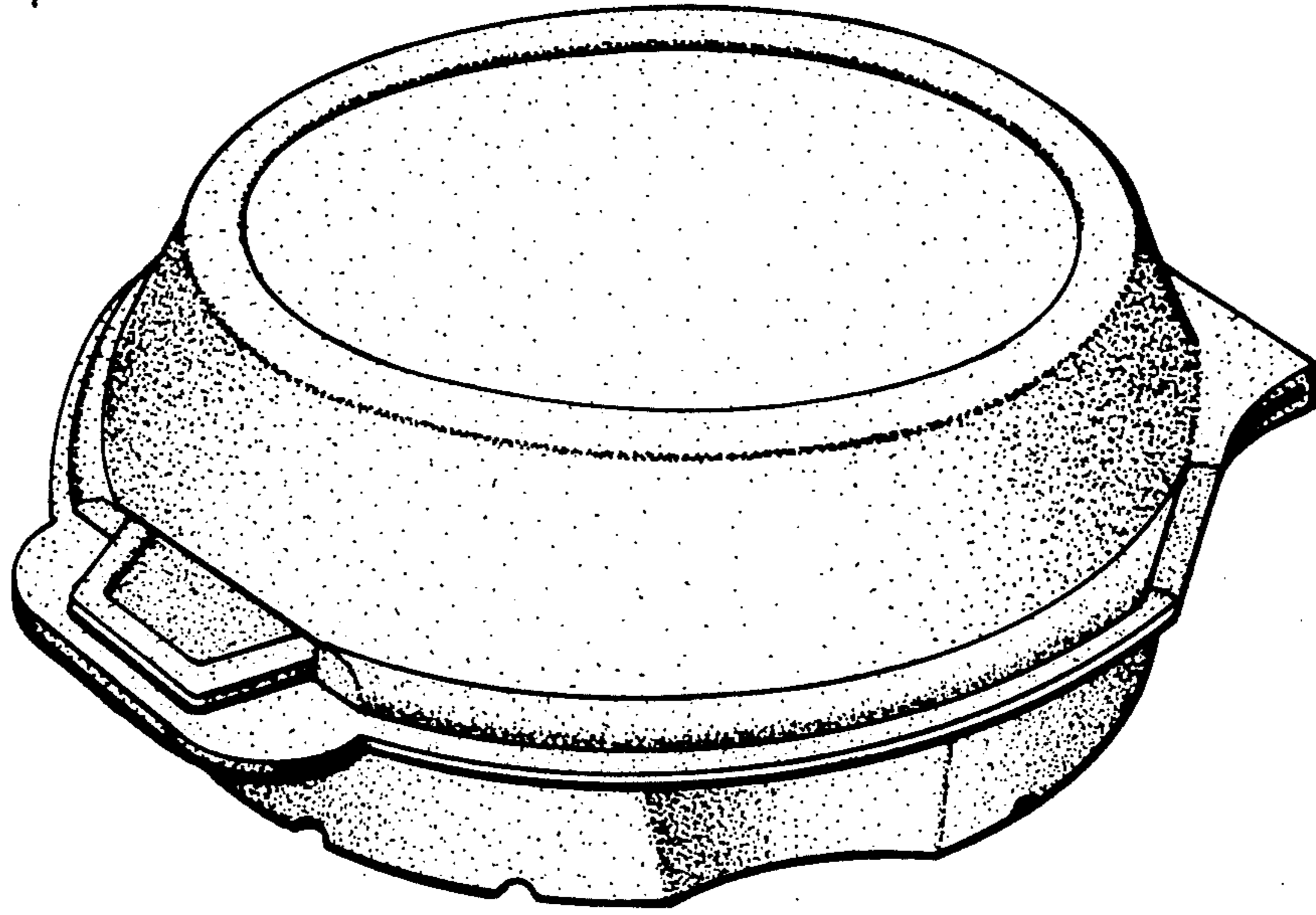


FIG. 10

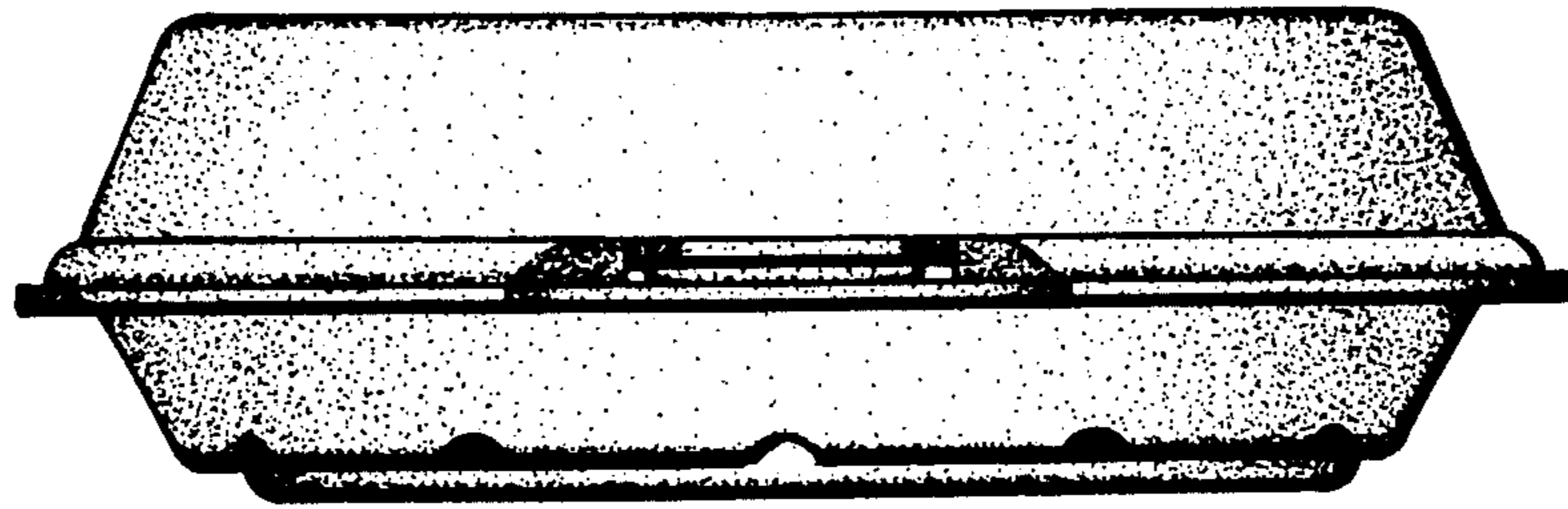


FIG. 11



FIG. 12

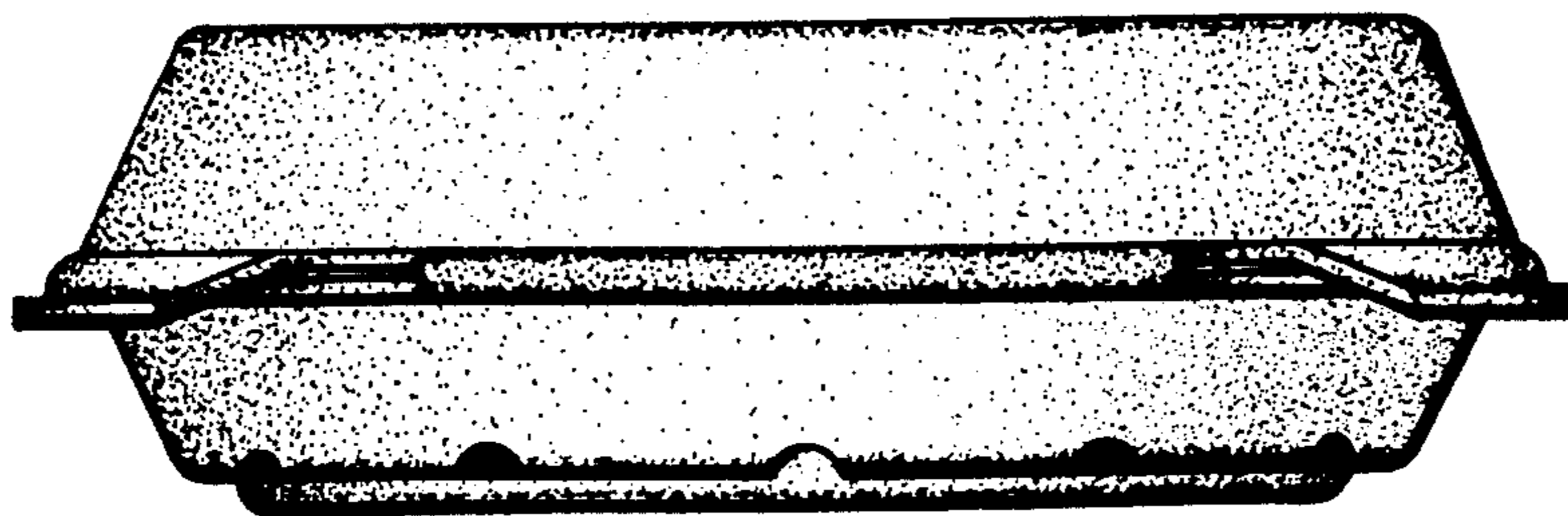


FIG. 8

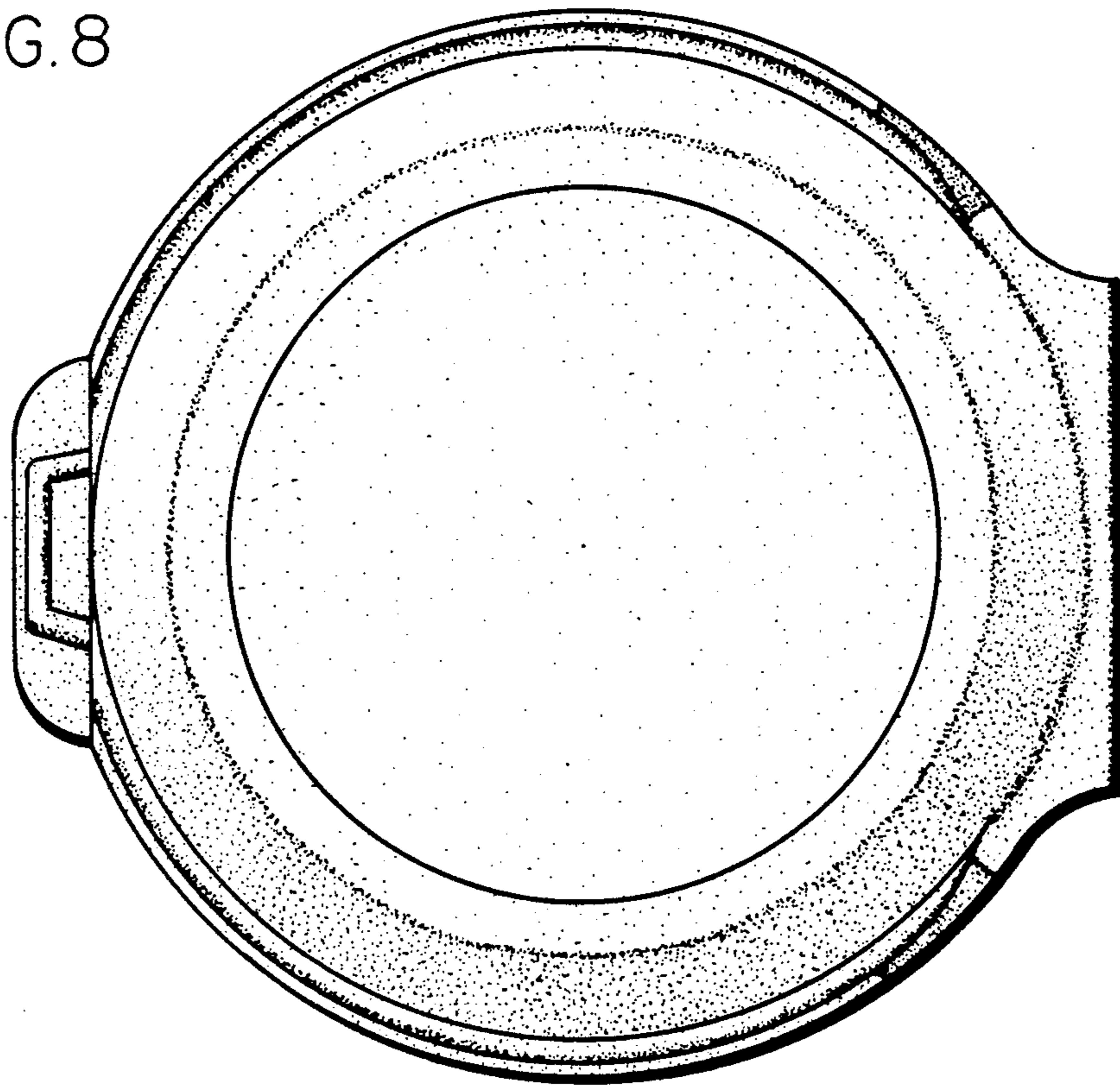


FIG. 9

