

[54] PACKAGE FOR TAPE AND THE LIKE

[75] Inventors: Kenneth W. Lonngren, West Greenwich, R.I.; David F. O'Brien, North Woodstock, Conn.; James Mattiucci, Cranston, R.I.

[73] Assignee: The Stanley Works, New Britain, Conn.

[**] Term: 14 Years

[21] Appl. No.: 381,009

[22] Filed: Jul. 17, 1989

[52] U.S. Cl. D9/415

[58] Field of Search D9/414, 415, 418; 206/461-471, 303, 307, 389, 411, 391, 407

[56] References Cited

U.S. PATENT DOCUMENTS

D. 233,318	10/1974	Moberly	D9/415
D. 248,543	7/1978	Strelcheck	D9/415
D. 260,368	8/1981	Dunshee et al.	D9/415
D. 275,180	8/1984	Bakus	D9/415
D. 275,371	9/1984	Siegel	D9/415
D. 277,731	2/1985	Sharp et al.	D9/415 X
2,937,746	5/1960	Ferguson	.	
3,093,244	6/1963	Middleton, Jr. et al.	.	

3,202,269	8/1965	Lewis et al.	D9/419 X
3,217,462	11/1965	Watts, Jr.	D9/419 X
3,313,194	4/1967	Hanscom	.	
3,407,928	10/1968	Watts, Jr.	.	
3,523,397	8/1970	Carey et al.	.	
3,754,643	8/1973	Foster	.	
3,881,257	5/1975	Chasen	.	
4,249,658	2/1981	Ogura	.	
4,531,637	7/1985	Cusmano	.	
4,669,610	6/1987	Lindsey et al.	.	
4,702,374	10/1987	Kelner	.	
4,749,082	6/1988	Gardiner et al.	.	

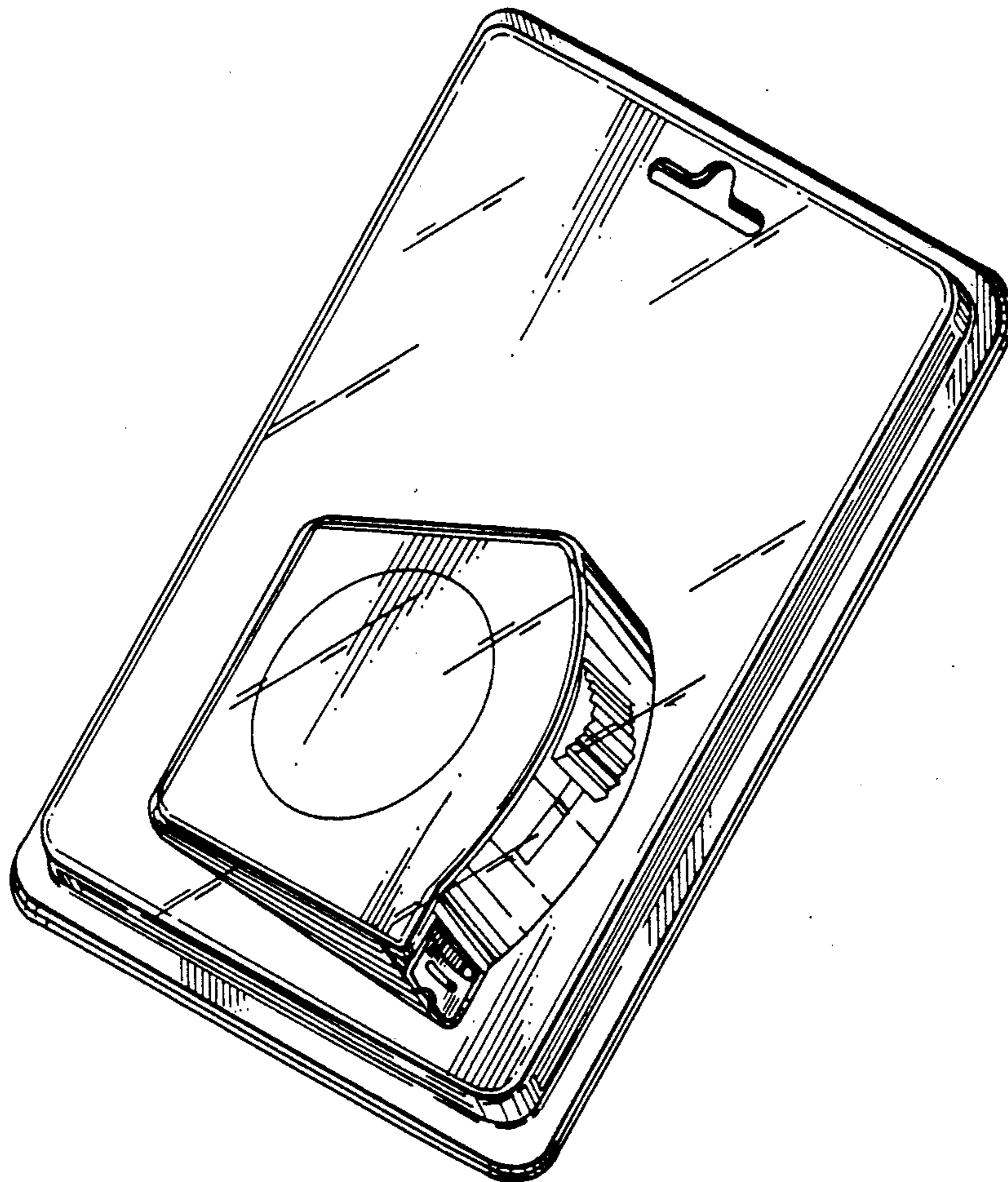
Primary Examiner—Bernard Ansher
Assistant Examiner—Prabhakar Deshmukh

[57] CLAIM

The ornamental design for a package for tape and the like, as shown and described.

DESCRIPTION

FIG. 1 is a front elevation of a package for tape and the like showing our new design; FIG. 2 is a rear elevation thereof; FIG. 3 is a top plan view thereof; FIG. 4 is a bottom plan view thereof; FIG. 5 is a right side elevation thereof; FIG. 6 is a left side elevation thereof; and FIG. 7 is a perspective view thereof.



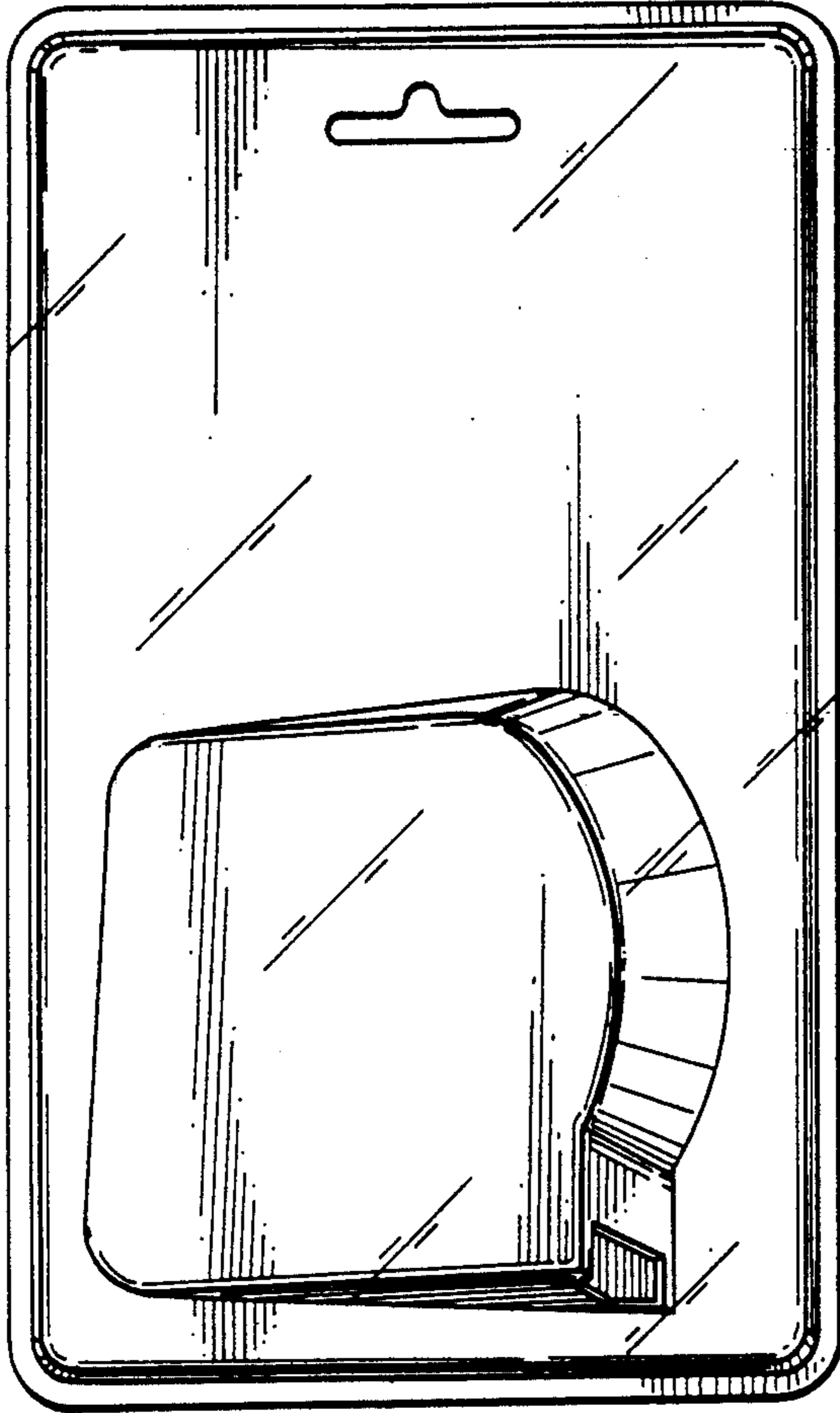


FIG. 1

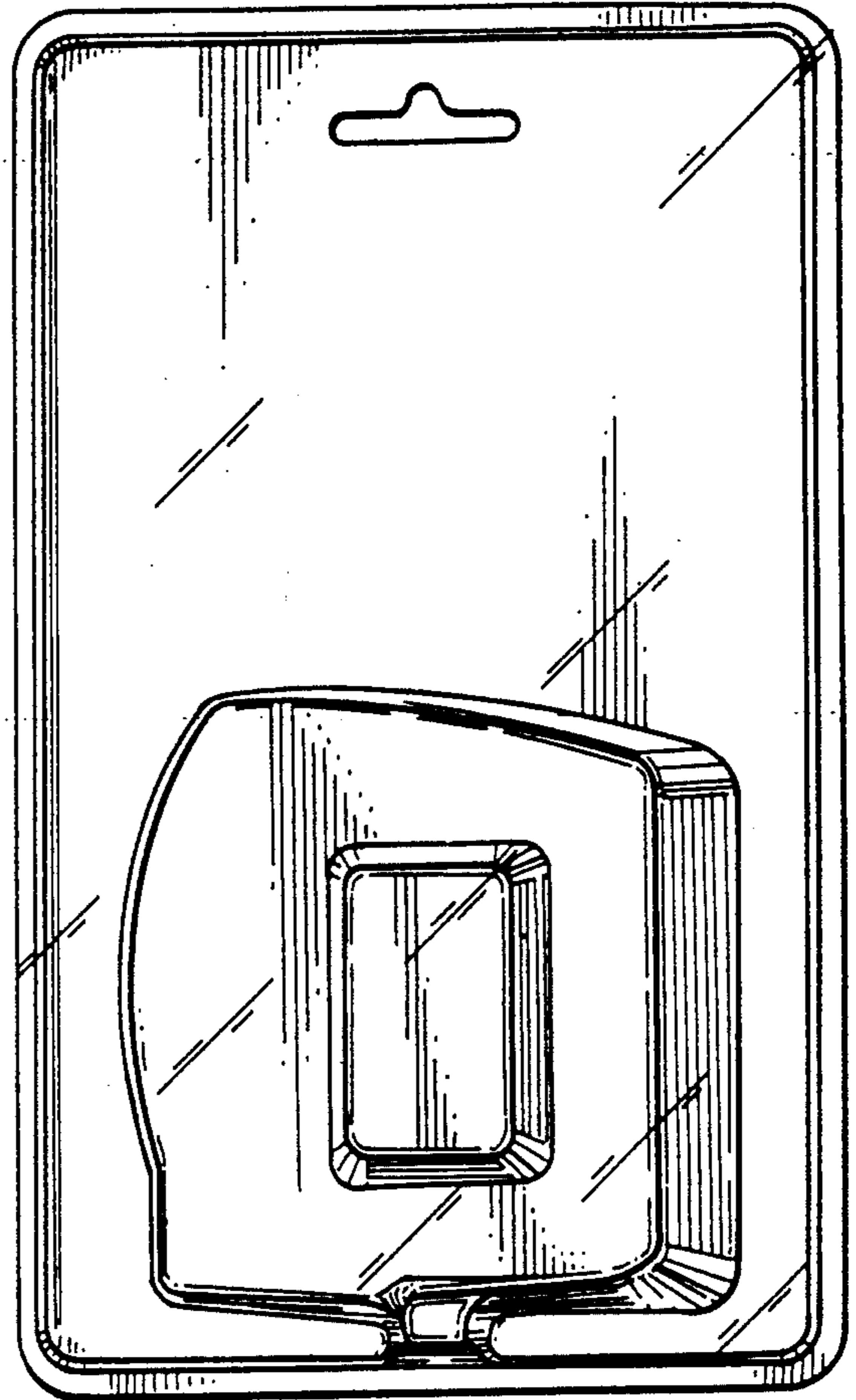


FIG. 2

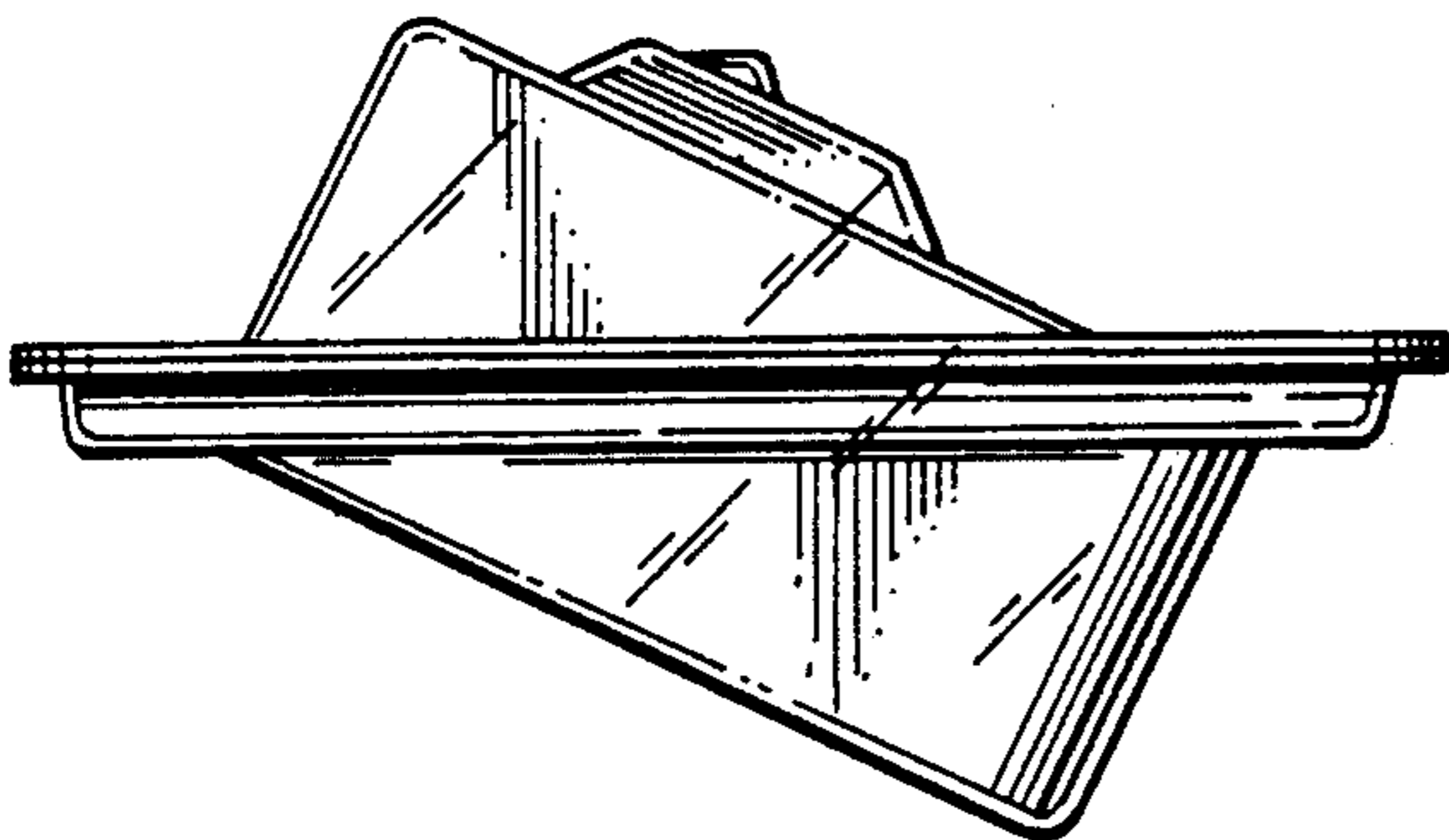


FIG. 3

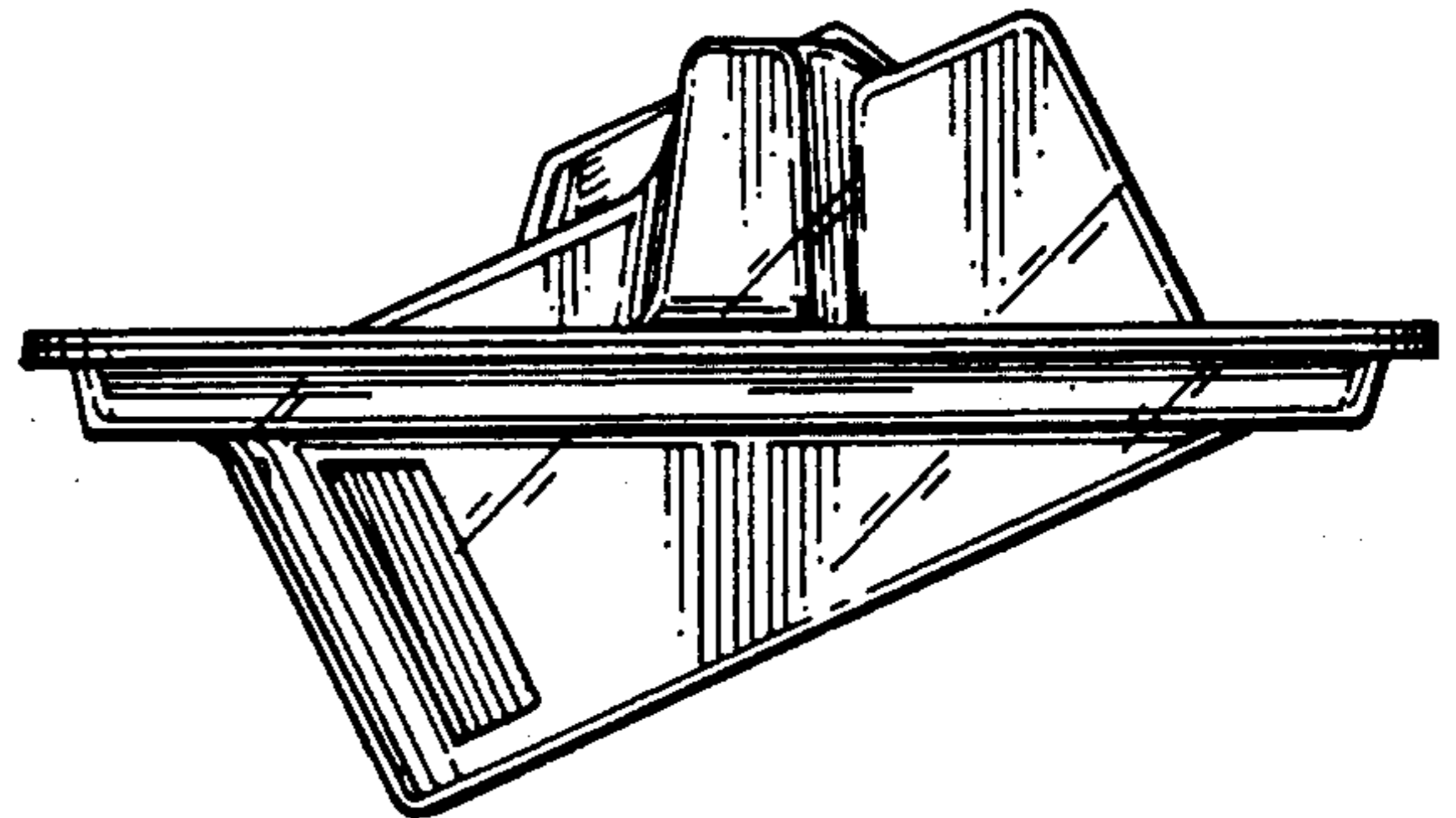


FIG. 4

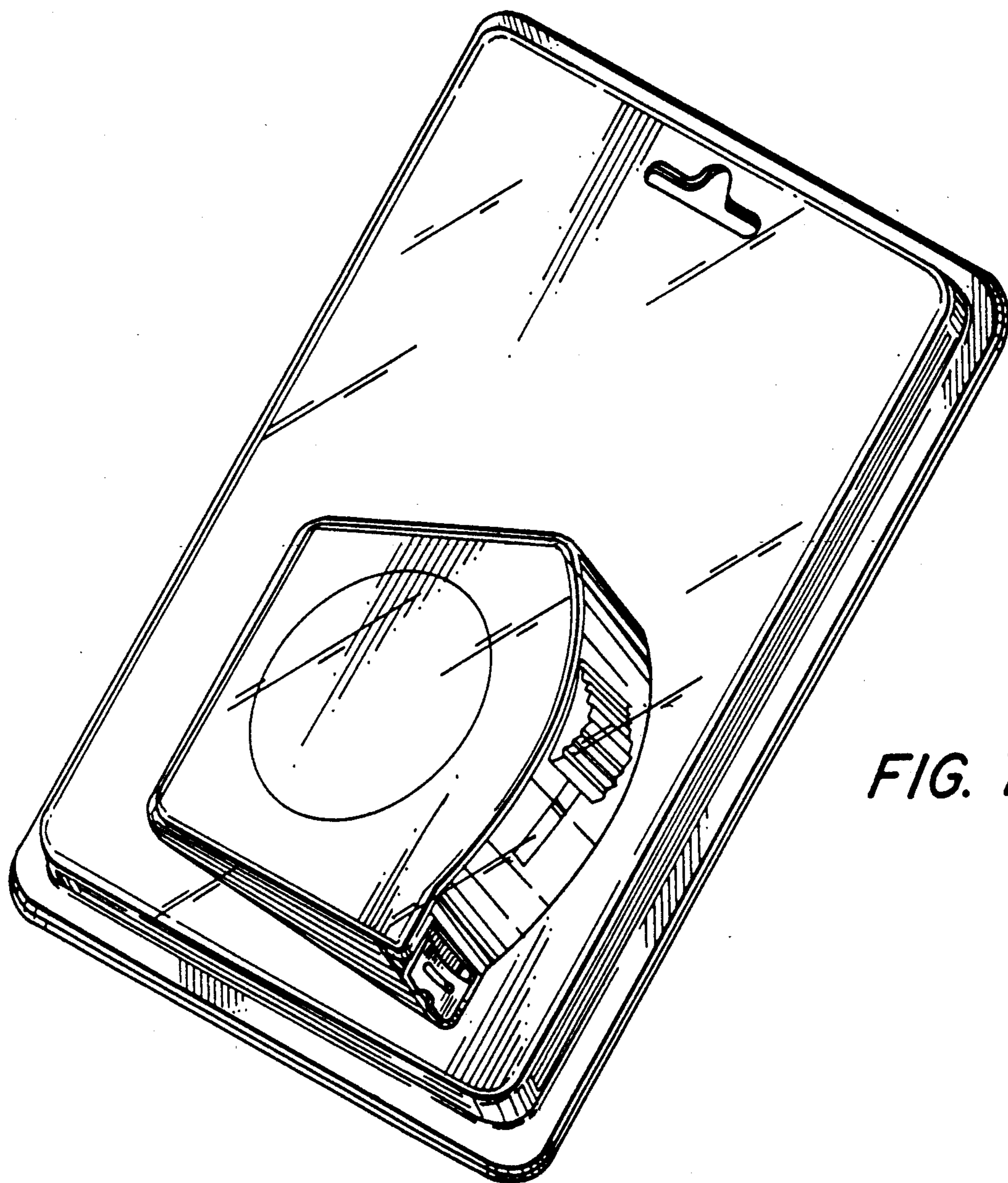


FIG. 7

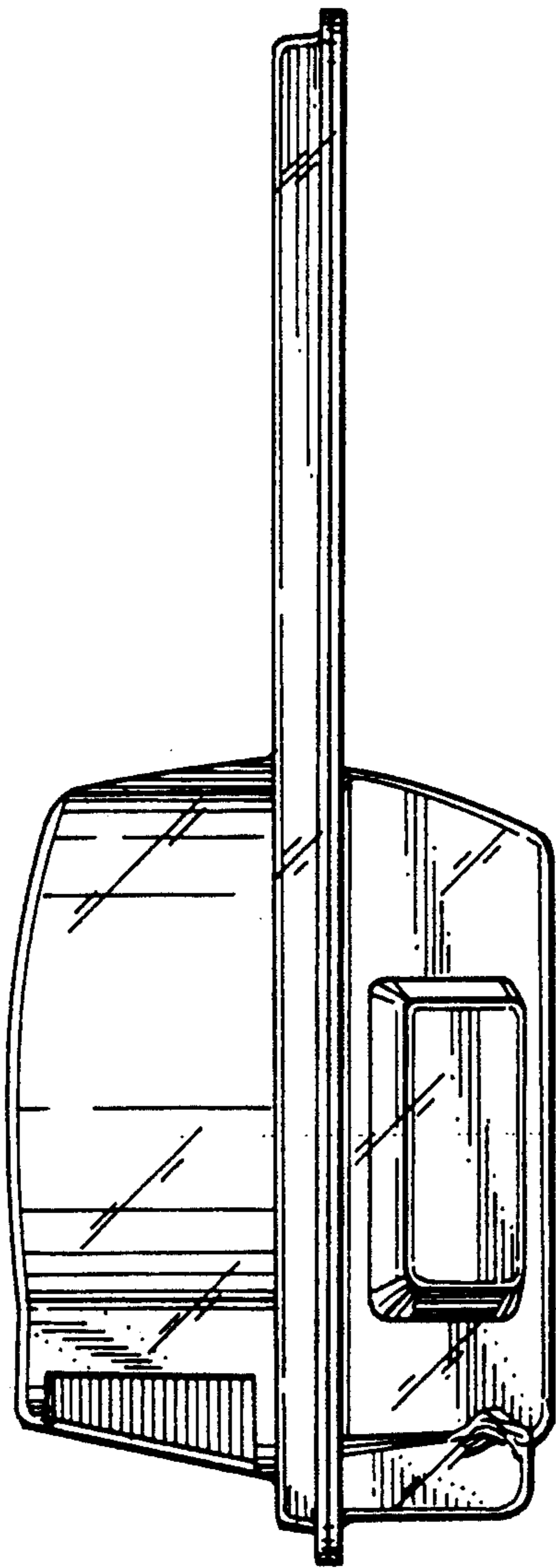


FIG. 5

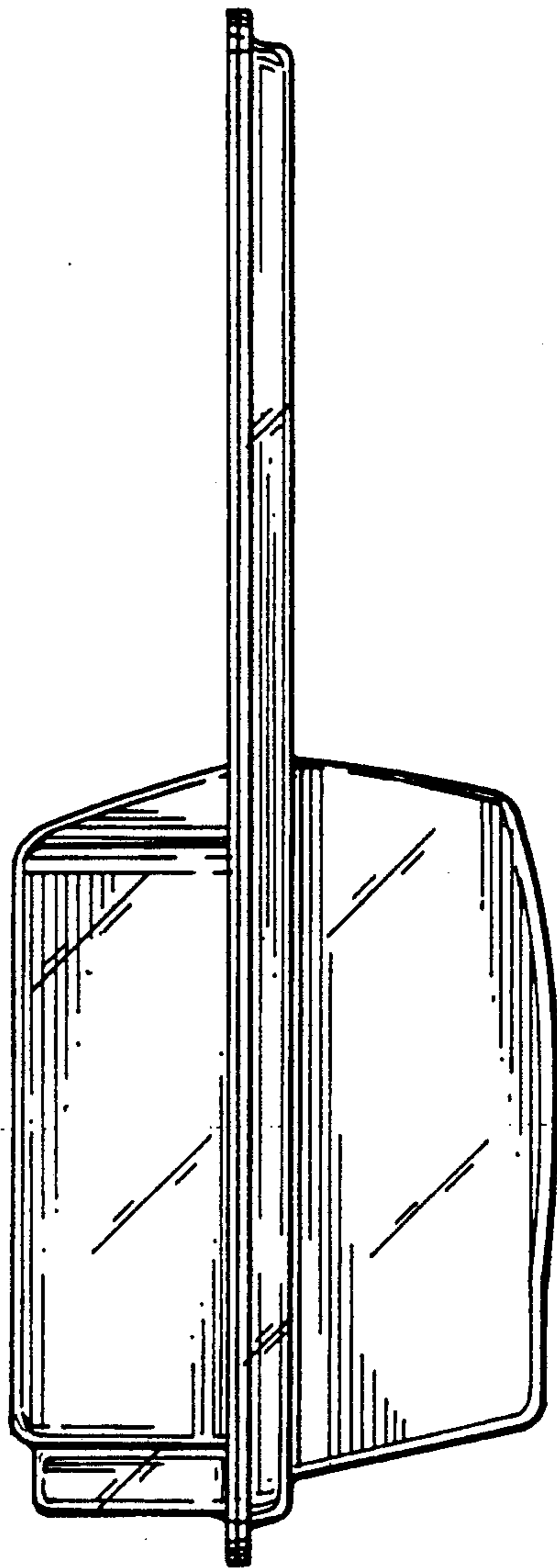


FIG. 6