

[54] CORNER FRAME HOLDER

[75] Inventor: Jonathon Loew, East Meadow, N.Y.

[73] Assignee: Design Display Group, Inc., N.J.

[**] Term: 14 Years

[21] Appl. No.: 393,327

[22] Filed: Aug. 11, 1989

[52] U.S. Cl. D8/382; D6/300

[58] Field of Search D8/373, 382; 211/182; D6/300, 302; D25/61

4,230,052	10/1980	Champagne	211/182	X
4,240,765	12/1980	Offterdinger	403/402	
4,586,348	5/1986	Nakayama et al.	403/402	X
4,662,092	5/1987	Kim	403/402	X

Primary Examiner—Horace B. Fay, Jr.
Attorney, Agent, or Firm—Steinberg & Raskin

[57] CLAIM

The ornamental design for a corner frame holder, as shown.

DESCRIPTION

FIG. 1 is a left end, top and right side perspective view of a corner frame holder showing my new design; FIG. 2 is a top plan view thereof; FIG. 3 is a right end elevational view thereof; FIG. 4 is a left side elevational view thereof; FIG. 5 is a left end elevational view thereof; FIG. 6 is a bottom plan view thereof; FIGS. 7 and 8 are side elevational views of the inner surfaces of the respective half members of the corner frame holder.

[56] References Cited

U.S. PATENT DOCUMENTS

D. 294,888	3/1988	Kazanowski	D6/300	
D. 303,457	9/1989	Stewart	D8/382	X
D. 307,078	4/1990	Guillemet	D8/382	X
777,079	12/1904	Cottle	D25/61	
1,439,167	12/1922	Higgin	403/402	X
4,183,693	1/1980	Berdan	403/295	
4,222,209	9/1980	Peterson	403/295	X

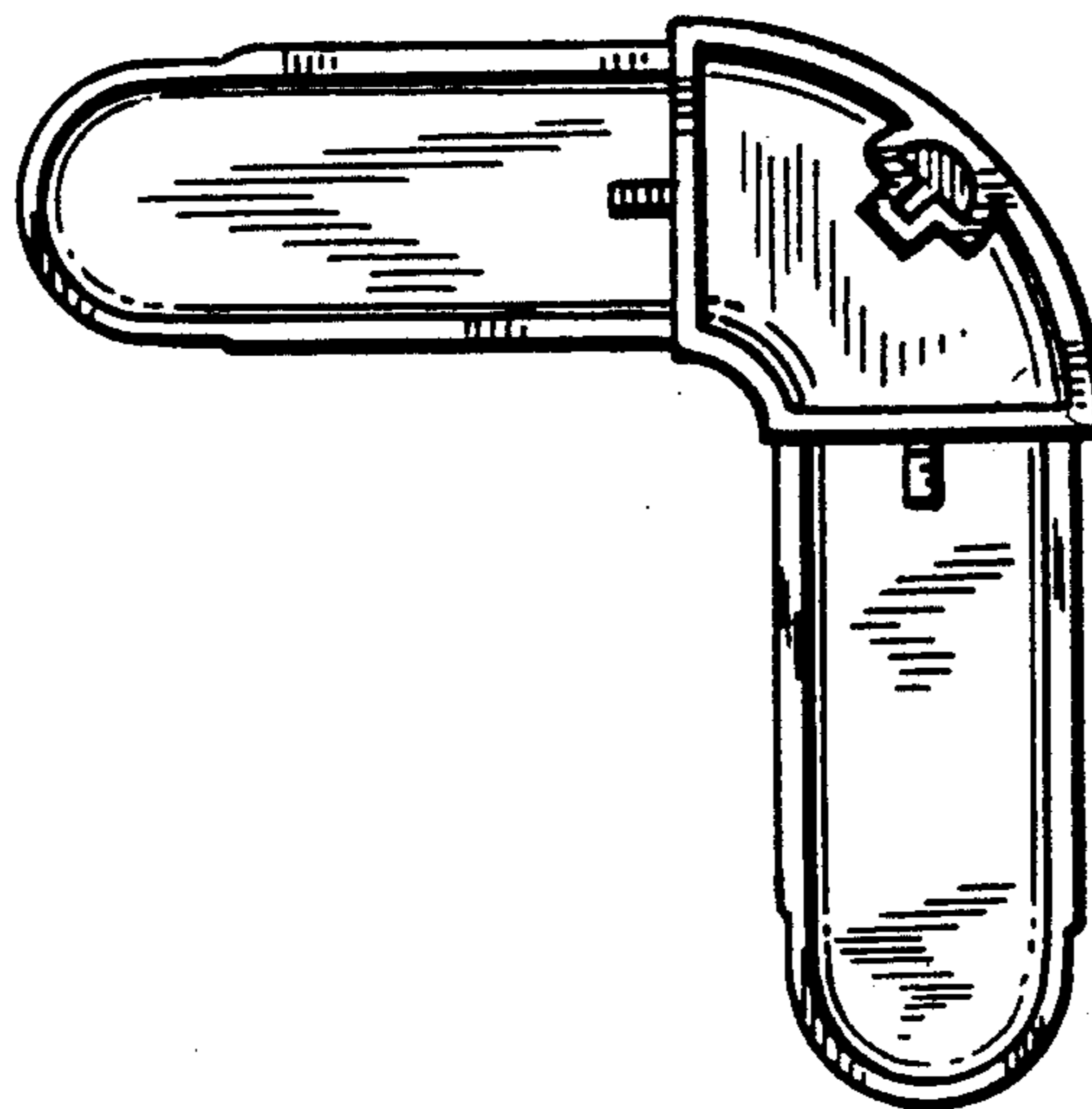
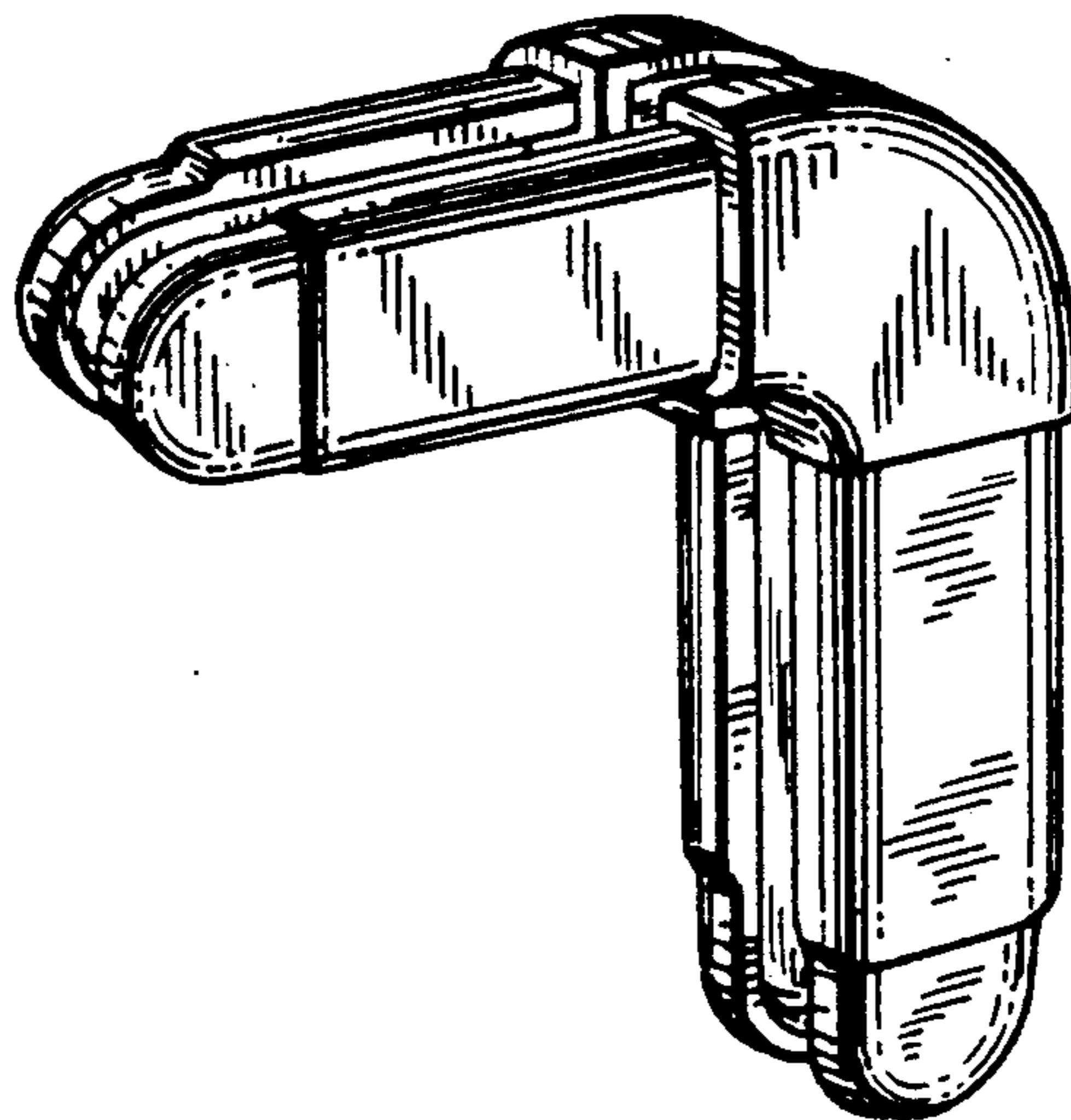


FIG. 1

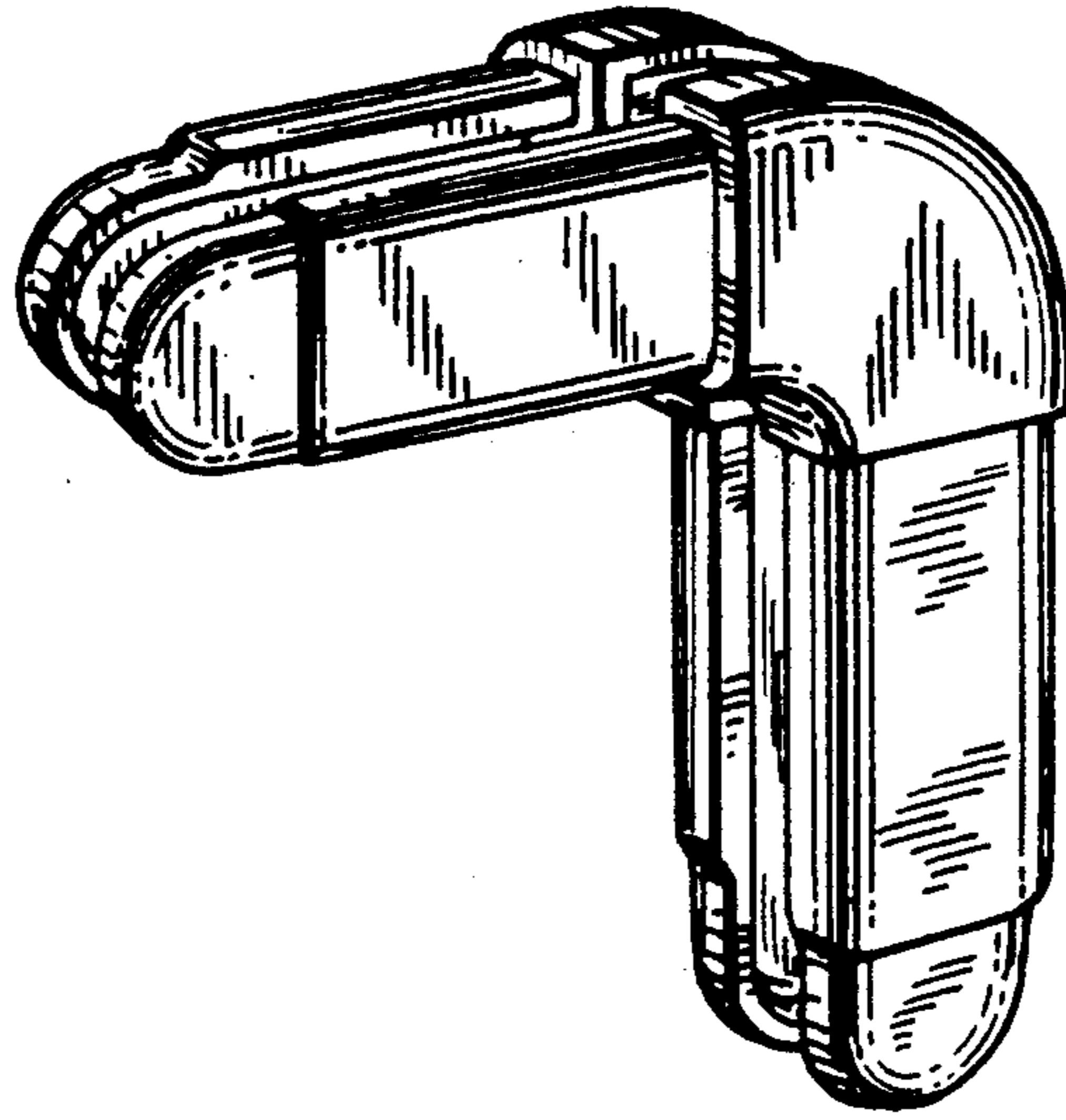


FIG. 2

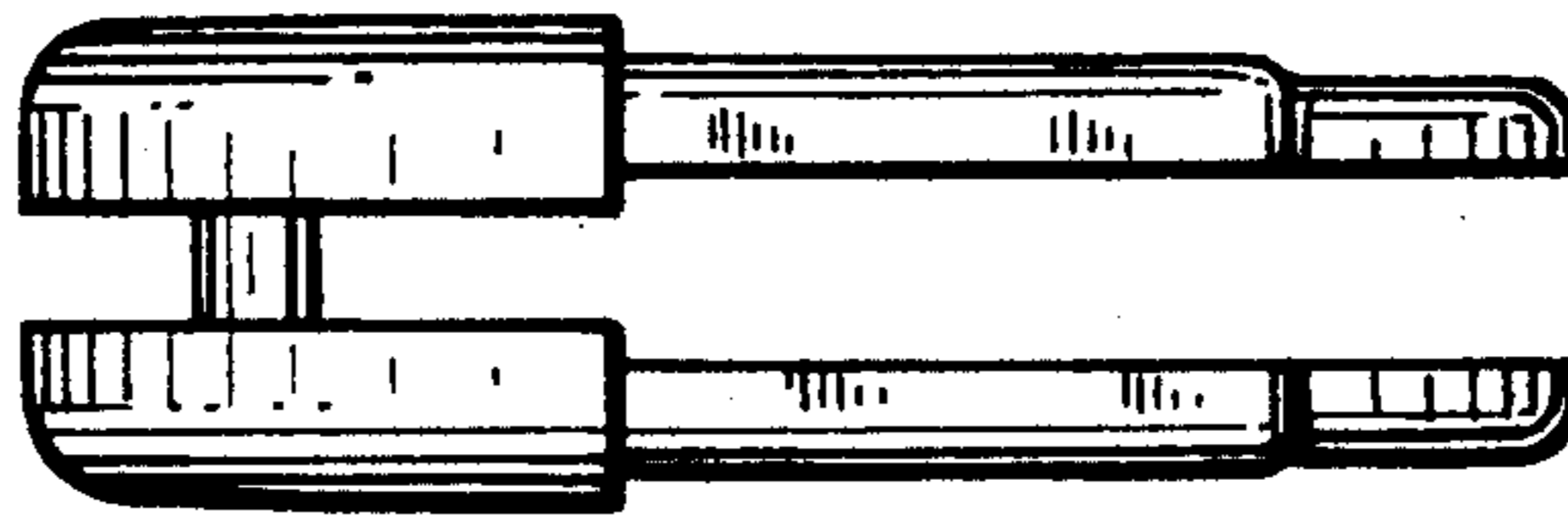


FIG. 3

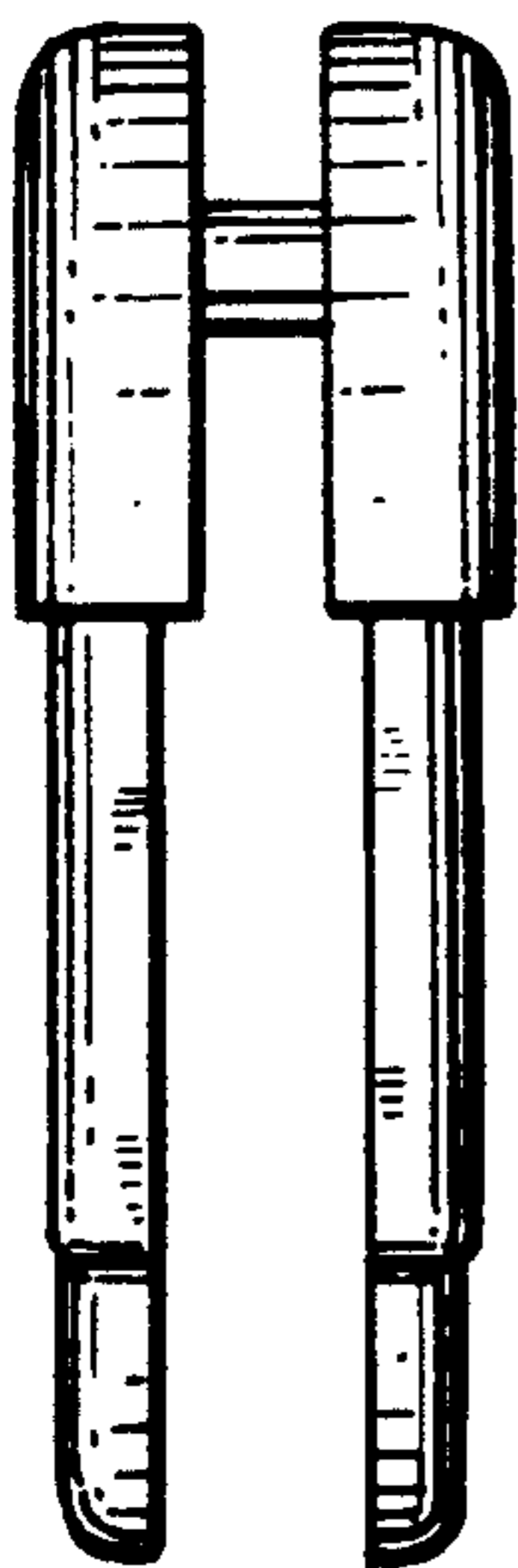


FIG. 5

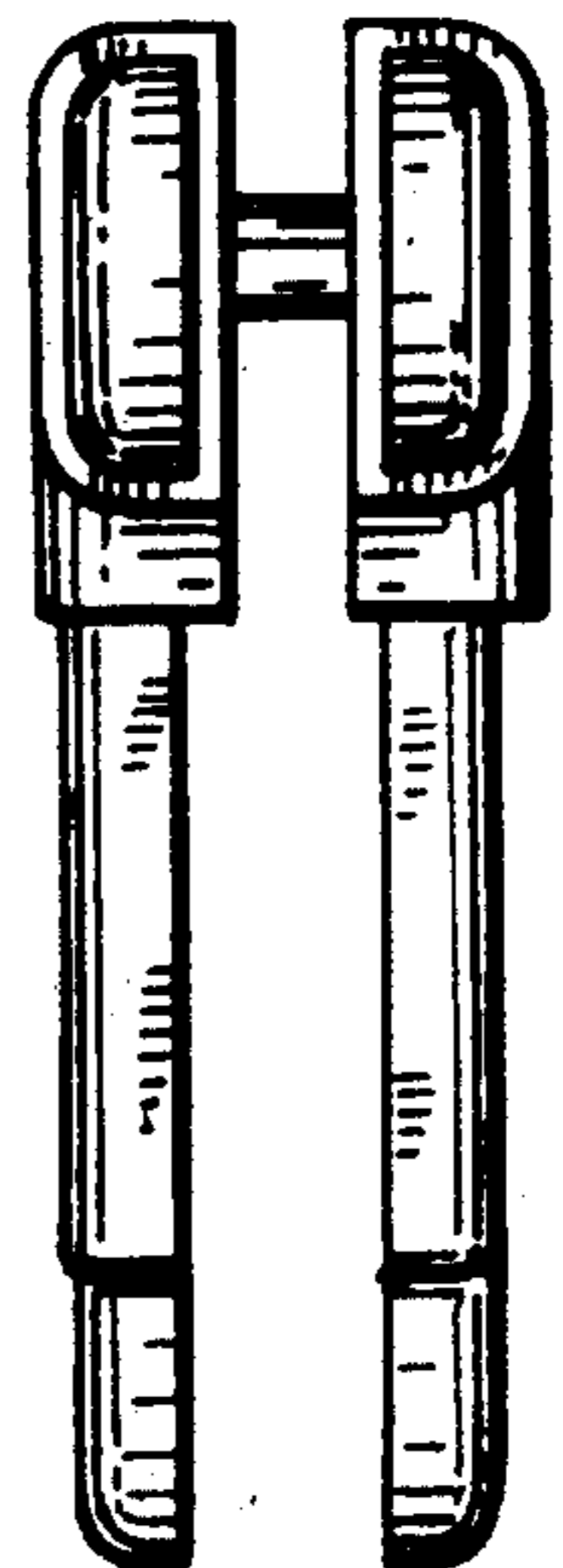


FIG. 4

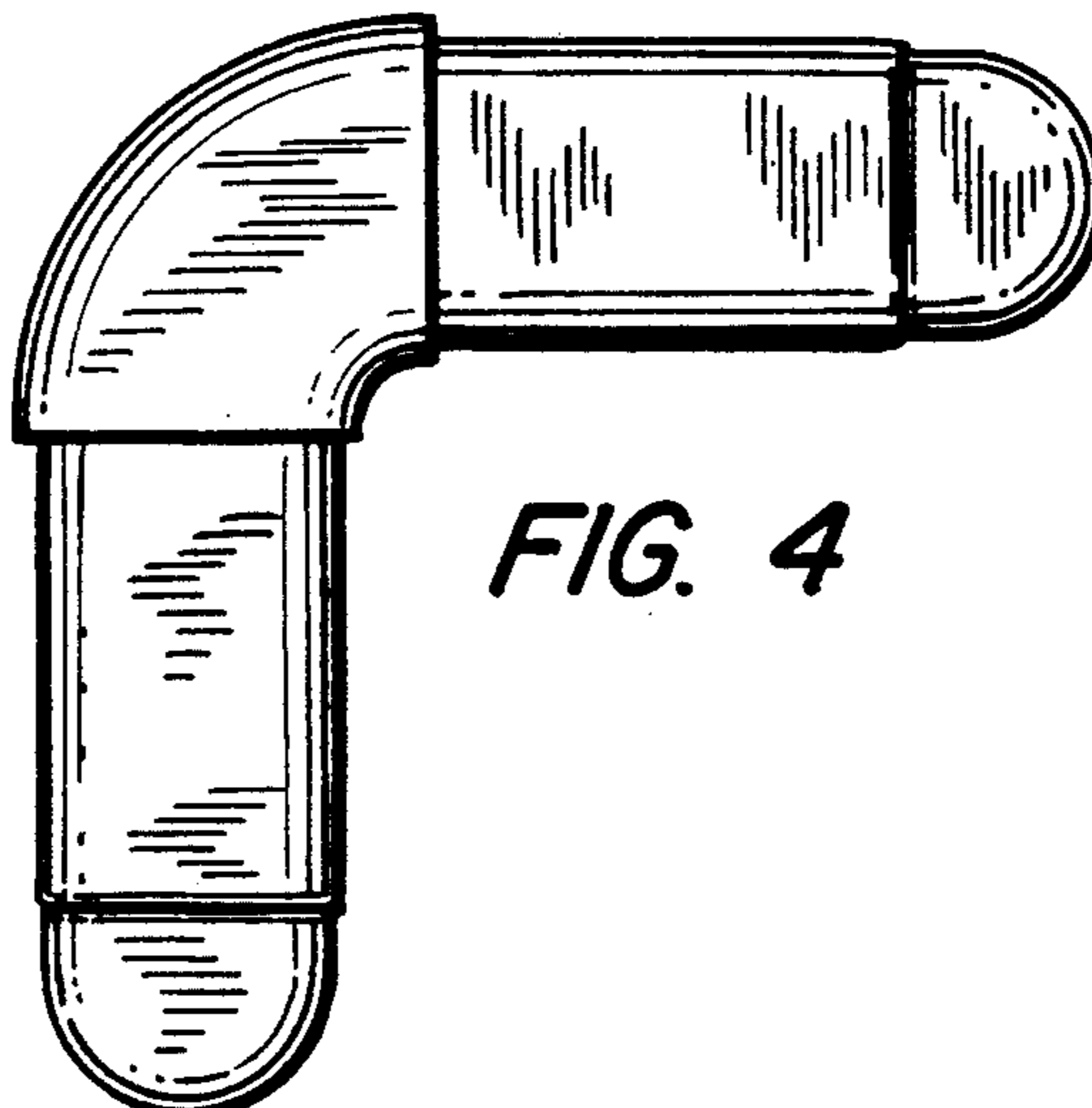


FIG. 6

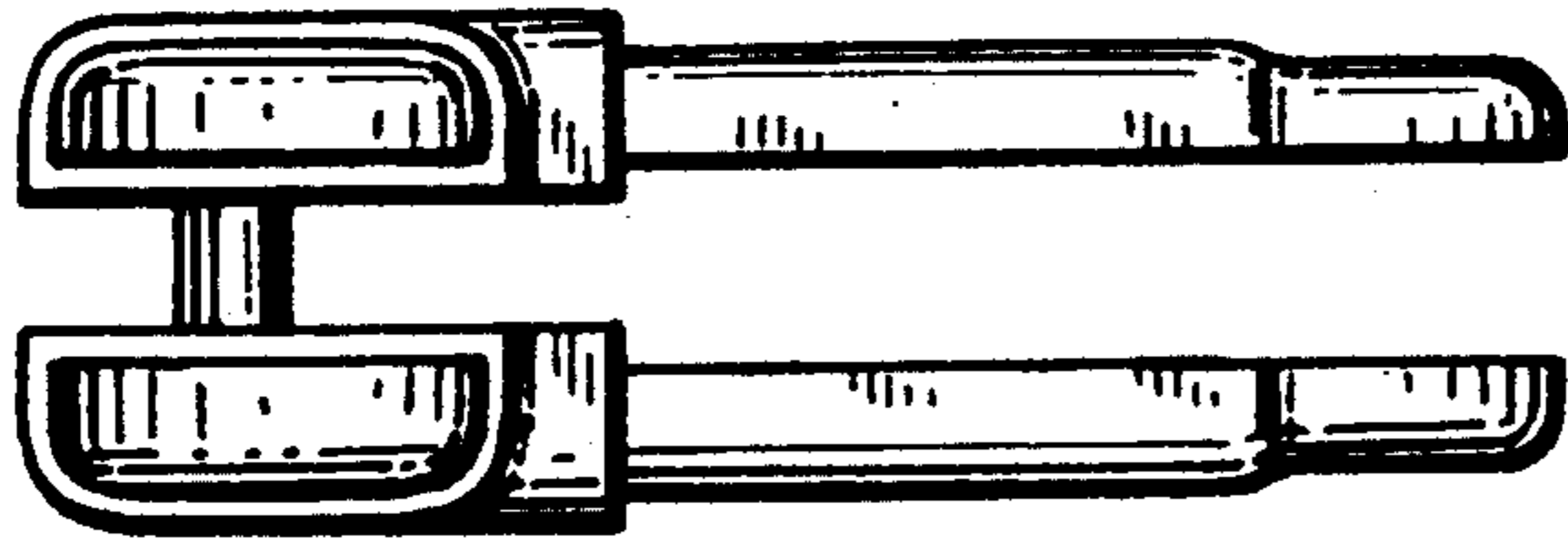


FIG. 7

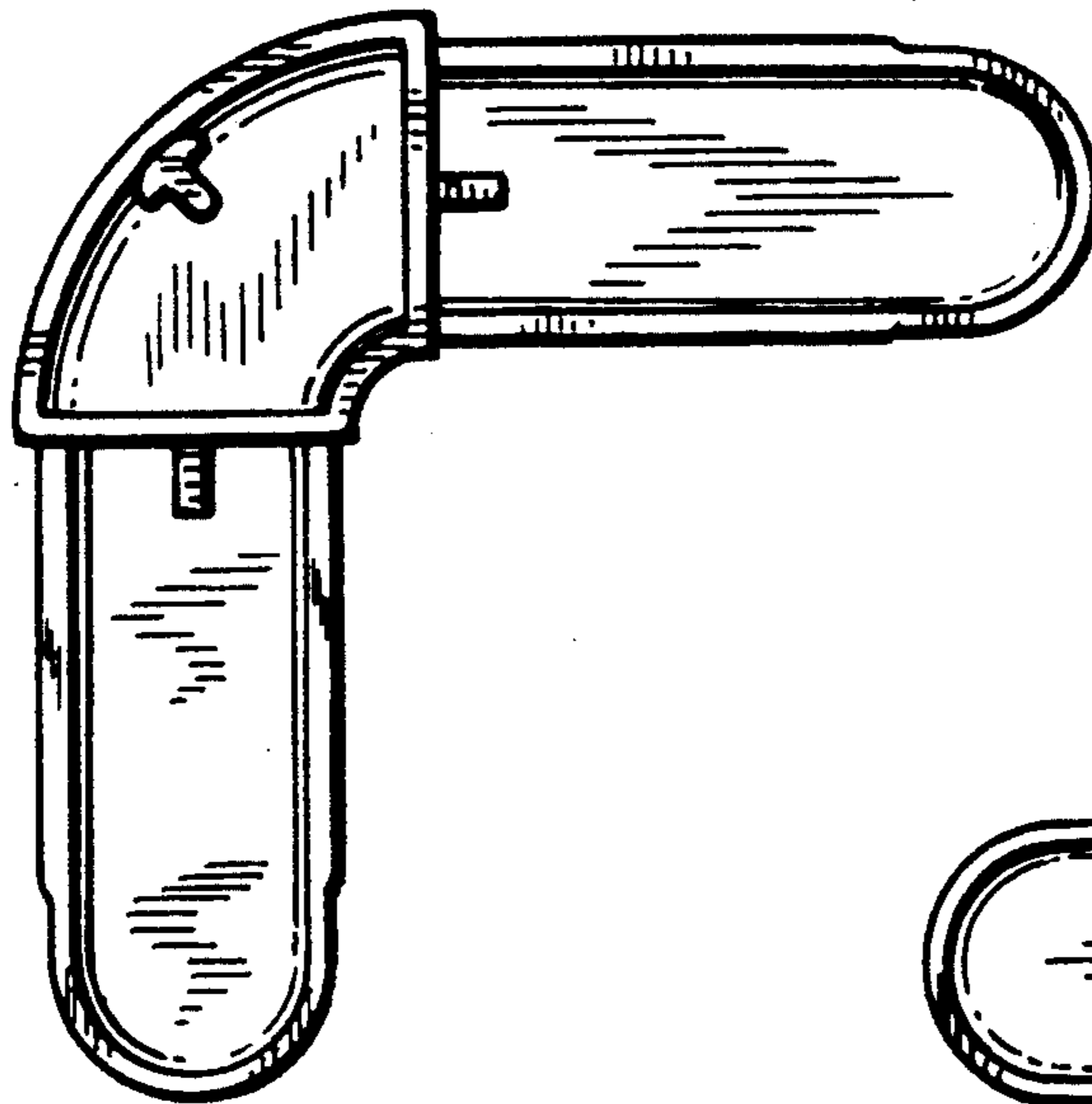


FIG. 8

