

[54] CURTAIN RAIL

[76] Inventors: John E. Varley, The Old Coastguards, Abbotsbury, Dorset, England; Ronald E. Draper, Prospect Place, West Milton, Near Bridport, Dorset, England

[**] Term: 14 Years

[21] Appl. No.: 200,877

[22] Filed: Jun. 1, 1988

[30] Foreign Application Priority Data

Dec. 3, 1987 [GB] United Kingdom 1046825
[52] U.S. Cl. D8/376
[58] Field of Search D8/376, 377, 380, 363; 248/262, 261, 263; 160/38, 38; 211/94, 65.1, 94.5, 105.6, 105.5

[56] References Cited

U.S. PATENT DOCUMENTS

Table with 4 columns: Patent No., Date, Inventor, and U.S. Patent No. (e.g., D. 80,184 12/1929 Norberg D8/376)

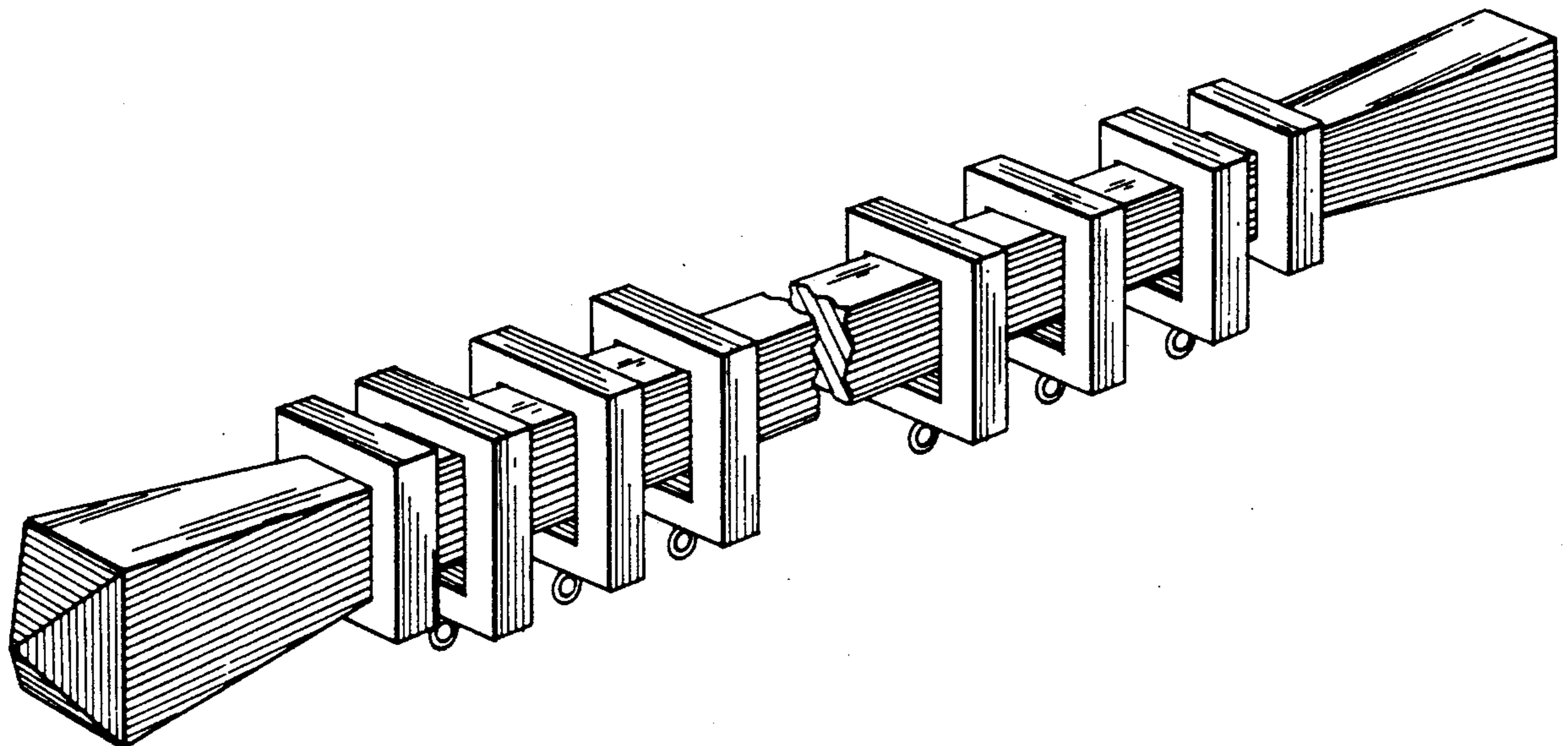
Primary Examiner—Wallace R. Burke
Assistant Examiner—Marcus Jackson
Attorney, Agent, or Firm—Kinney & Lange

[57] CLAIM

The ornamental design for a curtain rail, as shown and described.

DESCRIPTION

FIG. 1 is a front elevational view of a curtain rail showing new design, with the center broken away to indicate indeterminate length;
FIG. 2 is a top plan view thereof;
FIG. 3 is a side elevational view thereof, with the opposite side being a mirror image;
FIG. 4 is a perspective view thereof.



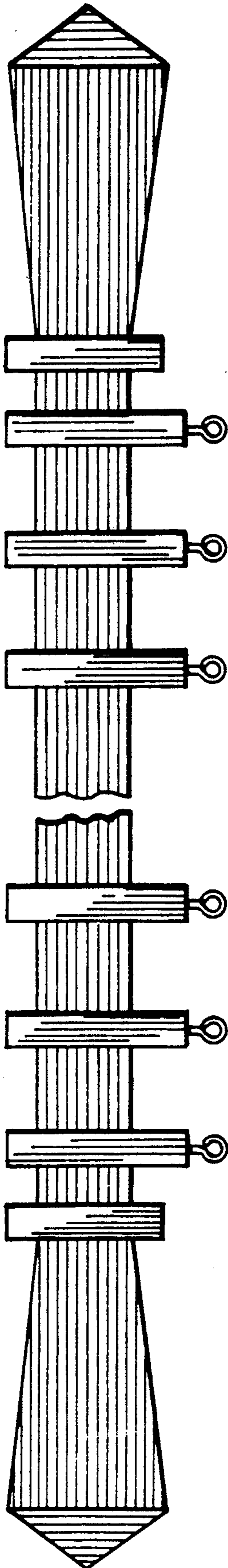


FIG. 1.

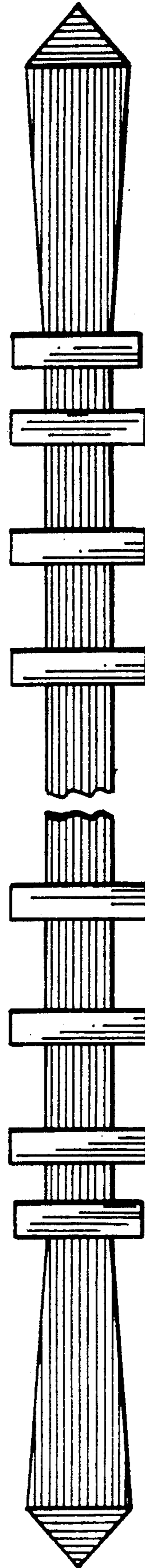


FIG. 2.

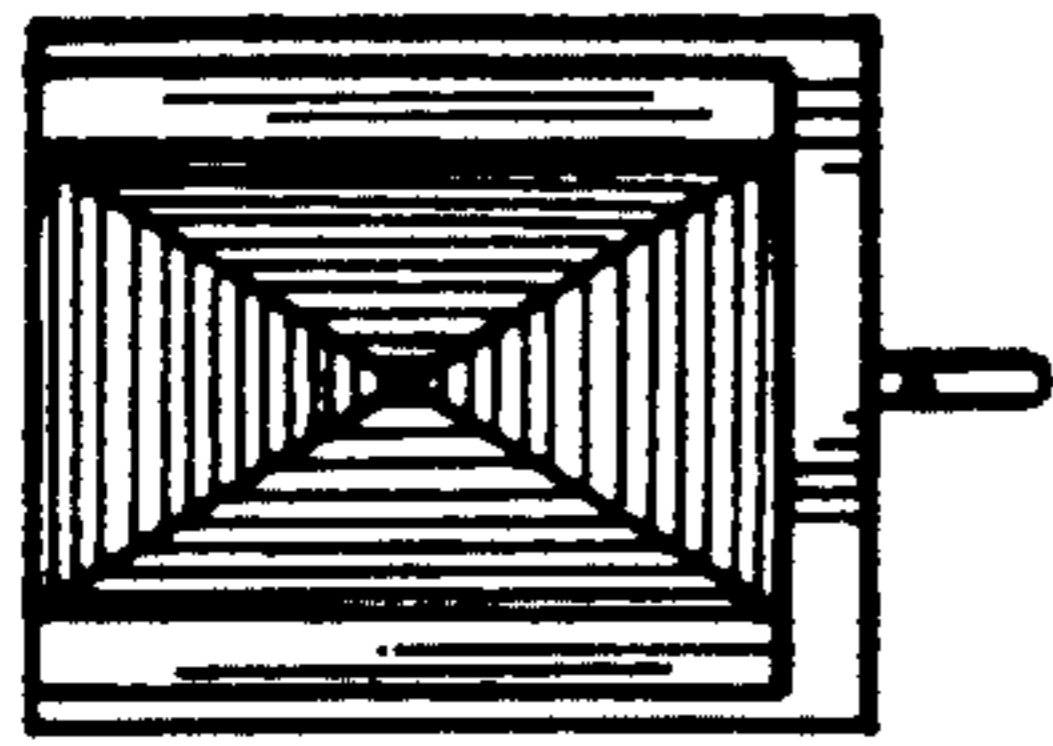


FIG. 3.

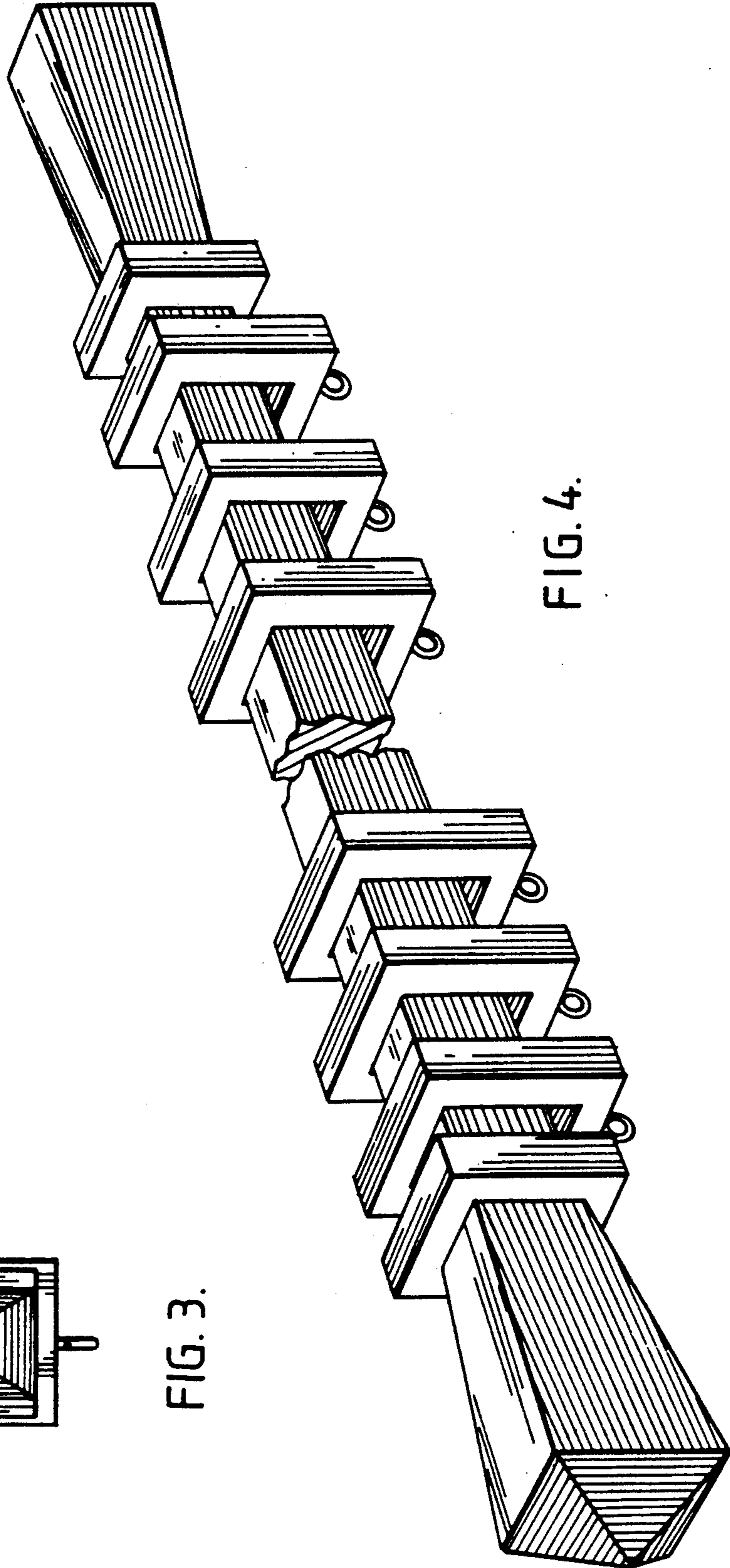


FIG. 4.