

[54] **HANDLE FOR A HAND SAW**

[75] **Inventor: Richard Landahl, Malmö, Sweden**

[73] **Assignee: Sandvik AB, Sandviken, Sweden**

[\*\*] **Term: 14 Years**

[21] **Appl. No.: 221,632**

[22] **Filed: Jul. 20, 1988**

[30] **Foreign Application Priority Data**

Feb. 12, 1988 [SE] Sweden ..... 880350  
 [52] **U.S. Cl. .... D8/97**  
 [58] **Field of Search ..... D8/14, 52, 97, 98, 80, D8/107, 95**

[56] **References Cited**

**U.S. PATENT DOCUMENTS**

D. 46,396	9/1914	Dietrich .....	D8/97
D. 152,760	2/1949	Weaver .....	D8/97
D. 192,069	1/1962	Franklin et al. ....	D8/95
D. 231,076	4/1974	Carlsson .....	D8/97
D. 249,453	9/1978	Covey .....	D8/97
D. 251,825	5/1979	Breger .....	D8/97
D. 269,848	6/1983	Covey .....	D8/97
1,613,432	1/1927	Barr .....	D8/95

**OTHER PUBLICATIONS**

*Design Catalog*, Mar. 1965, p. 38, top center of page.  
*EIA Swedish Design Manufacture Cat.*, 1971, Busman Kombi Handsaw, right center of page.

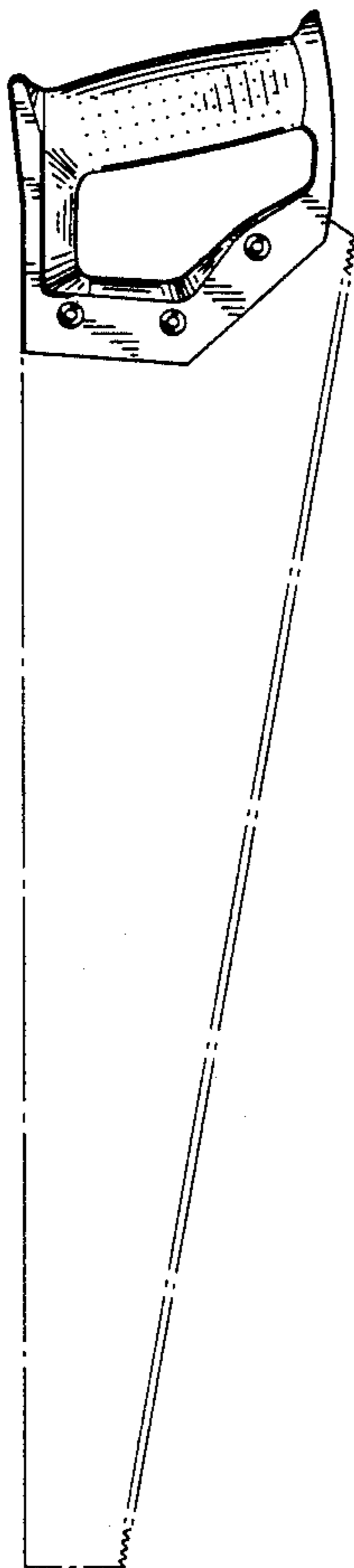
*Primary Examiner*—Bruce W. Dunkins  
*Assistant Examiner*—M. Hannon  
*Attorney, Agent, or Firm*—Burns, Doane, Swecker & Mathis

[57] **CLAIM**

The ornamental design for a handle for a hand saw, as shown and described.

**DESCRIPTION**

FIG. 1 is a side elevational view of a handle for a hand saw showing my design;  
 FIG. 2 is a front elevational view on an enlarged scale relative to FIG. 1;  
 FIG. 3 is an alternate side elevational view on the enlarged scale;  
 FIG. 4 is a rear elevational view on the enlarged scale; and  
 FIG. 5 is a bottom plan view thereof.  
 The side of the handle now shown is a mirror image of the side shown in FIG. 3. The handsaw blade disclosed in dot-dash lines in FIG. 1 has been shown for illustrative purposes only.



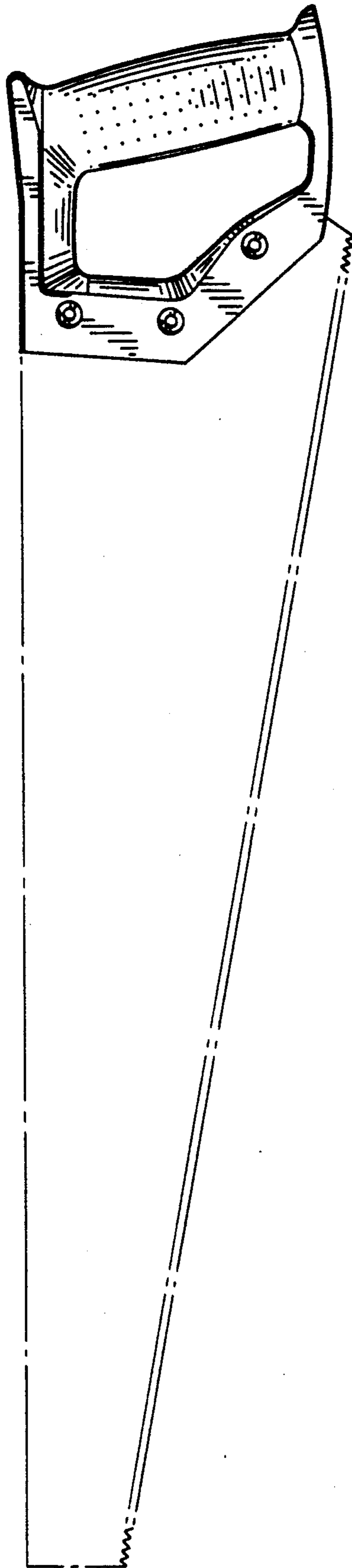


FIG. 1

FIG. 4

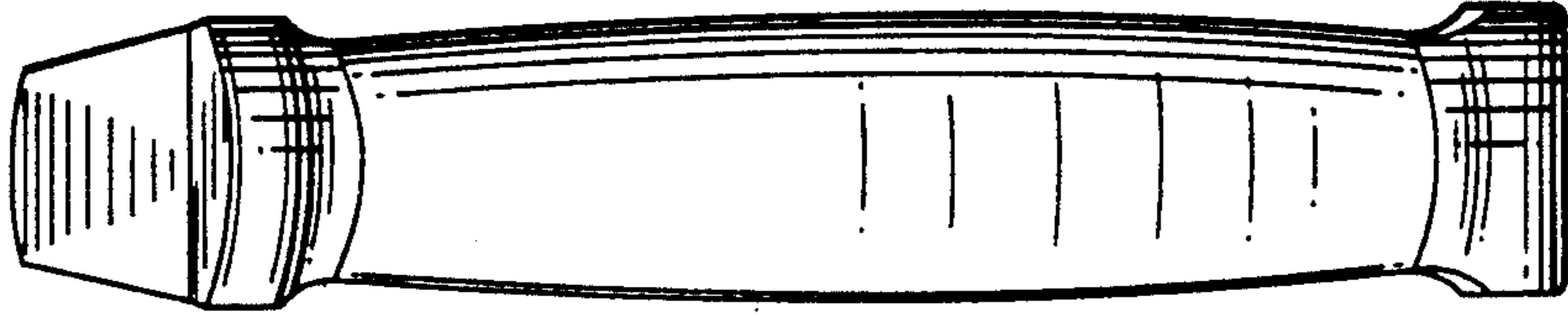


FIG. 2

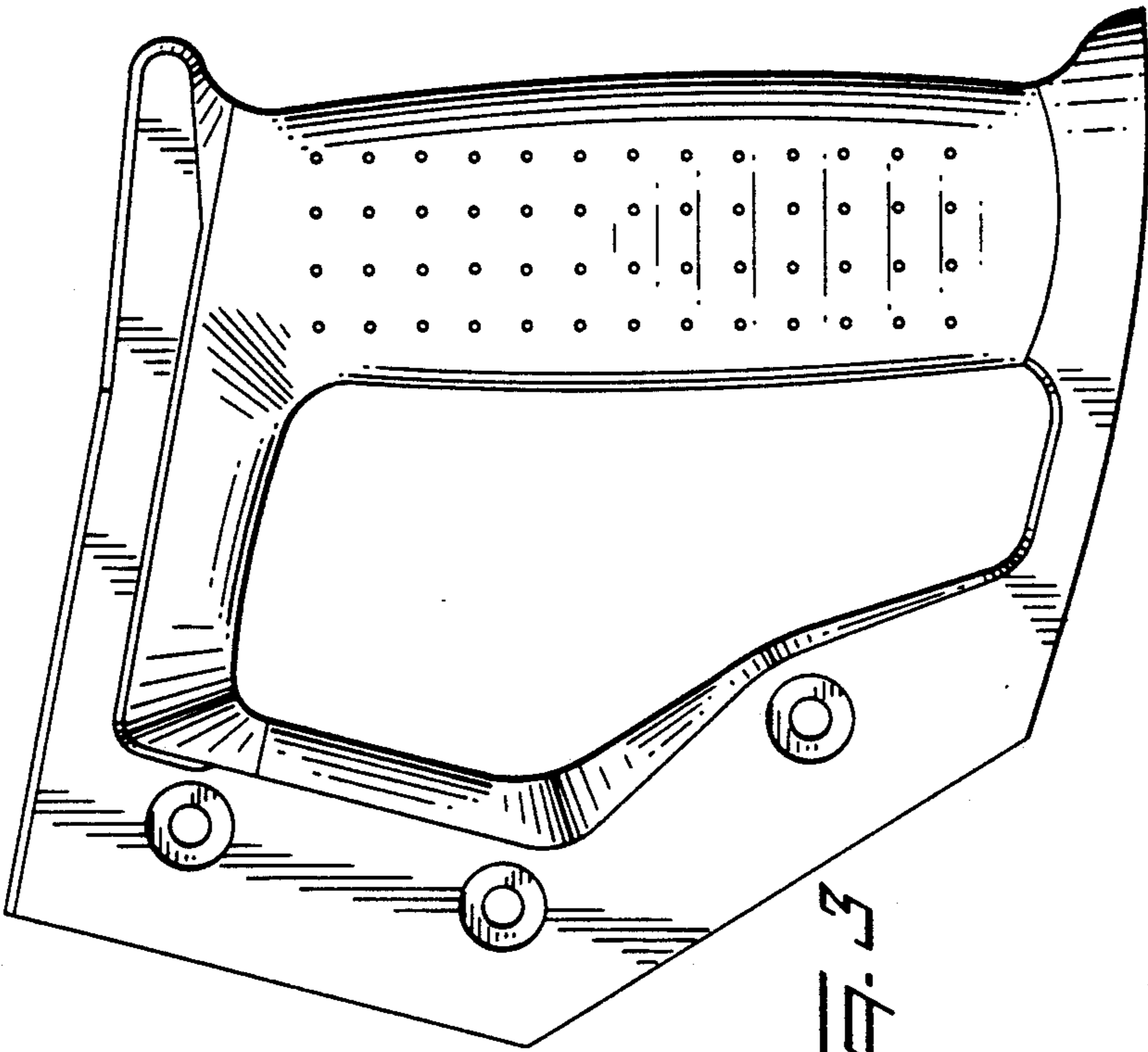
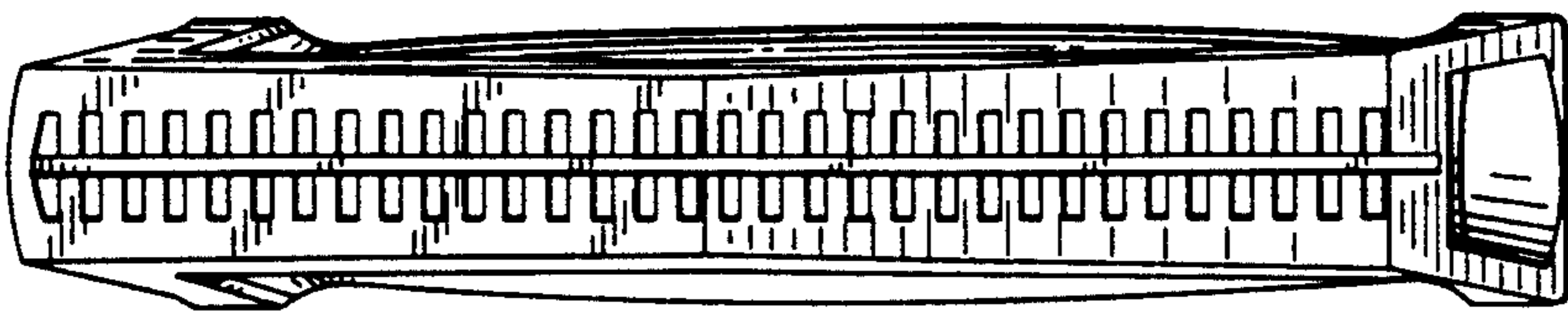


FIG. 3

FIG. 5

