

[54] HAND-HELD DISPENSER FOR STRETCH WRAP FILM

[76] Inventor: Joseph Goldstein, Pacific Palisades, Calif.

[**] Term: 14 Years

[21] Appl. No.: 222,241

[22] Filed: Jul. 21, 1988

[52] U.S. Cl. D8/71; D8/73

[58] Field of Search D8/71, 73, 300, 310; D15/145; D6/518; 269/249, 143; D10/73; 33/511; 242/68.4; 53/390

[56] References Cited

U.S. PATENT DOCUMENTS

D. 104,042	4/1937	Morand	D8/300
D. 262,887	2/1982	Powell, III	D15/145
D. 265,579	7/1982	Paul	D8/310
D. 267,625	1/1983	Dark	D8/73
D. 278,308	4/1985	Garvis	D8/71
291,248	1/1884	West	269/249

3,172,158	3/1965	Herman et al.	269/143
3,589,708	6/1971	Cosner	D8/73
3,934,316	1/1976	Driscoll	269/249
4,607,829	8/1986	Suska	269/249
4,962,918	10/1990	Yang	269/249

Primary Examiner—Nelson C. Holtje
Assistant Examiner—J. H. Musgrove
Attorney, Agent, or Firm—Allan M. Shapiro

[57] CLAIM

The ornamental design for a hand-held dispenser for stretch wrap film, as shown and described.

DESCRIPTION

FIG. 1 is a left side elevational view of a hand held dispenser for stretch wrap film, showing my new design the opposite side being a mirror image;
FIG. 2 is a rear elevational view;
FIG. 3 is a front elevational view;
FIG. 4 is a bottom plan view;
FIG. 5 is a top plan view; and
FIG. 6 is a cross sectional view of figure as taken from line 6—6 and FIG. 1.

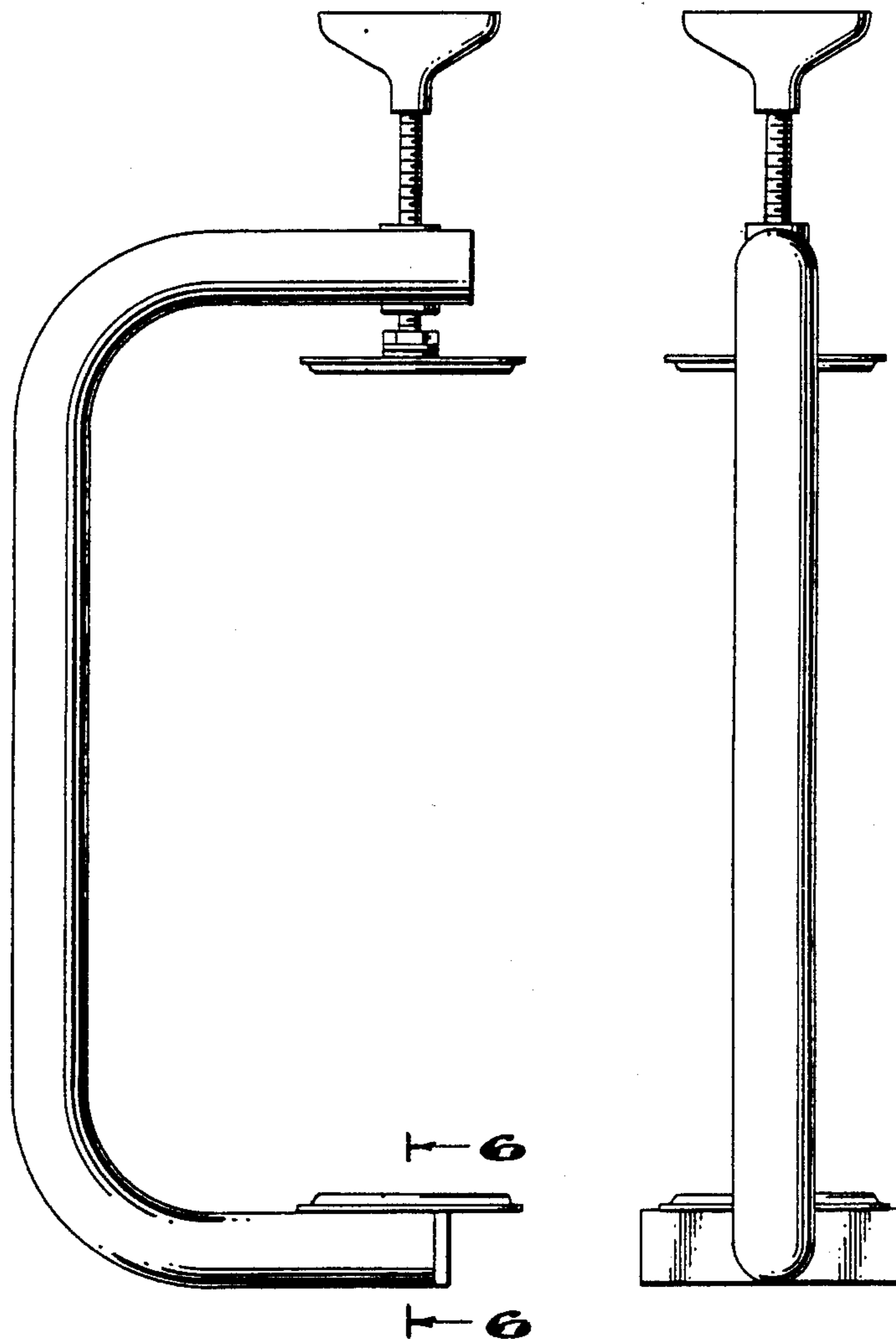


FIG. 1

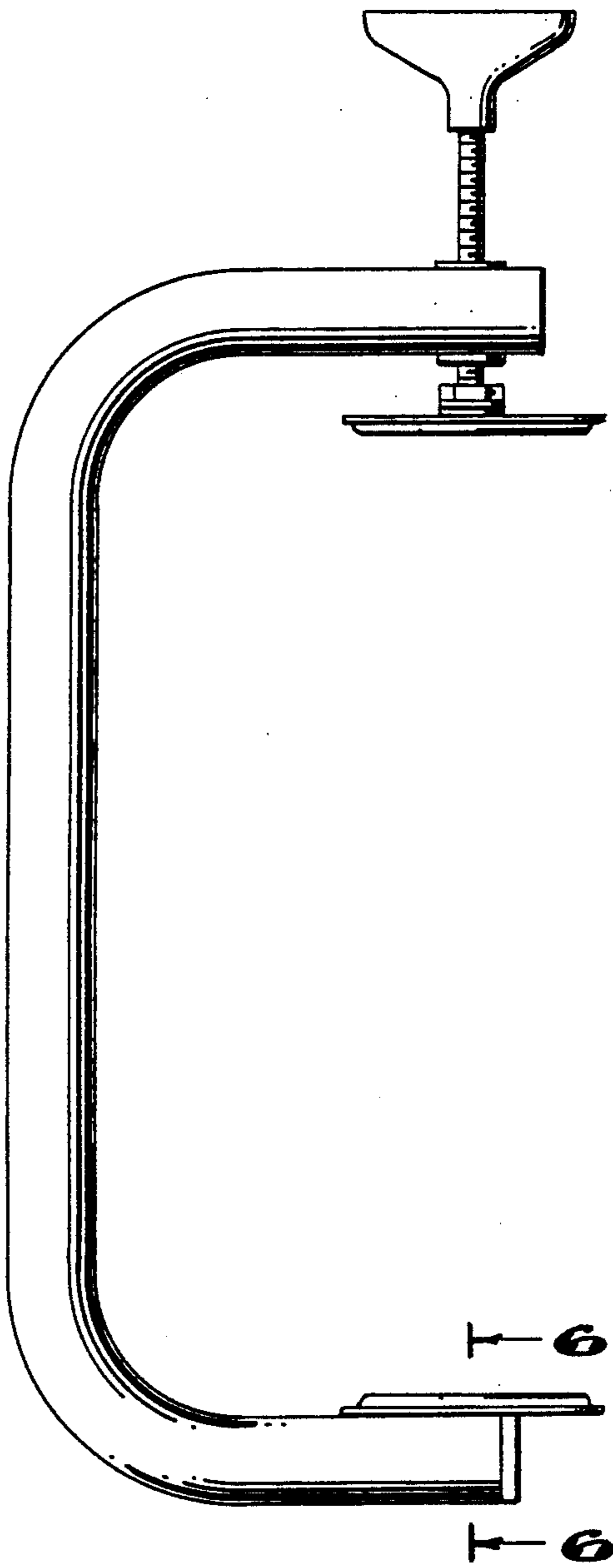


FIG. 2

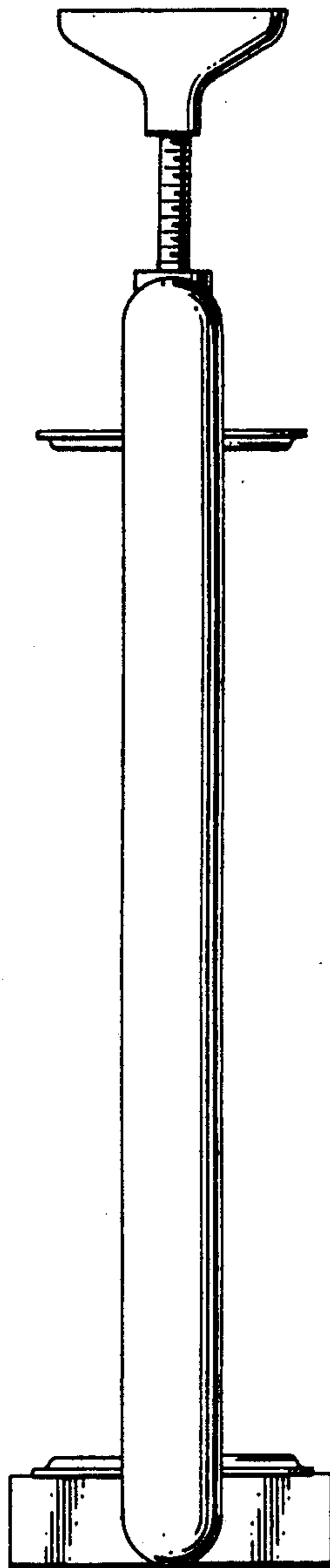


FIG. 3

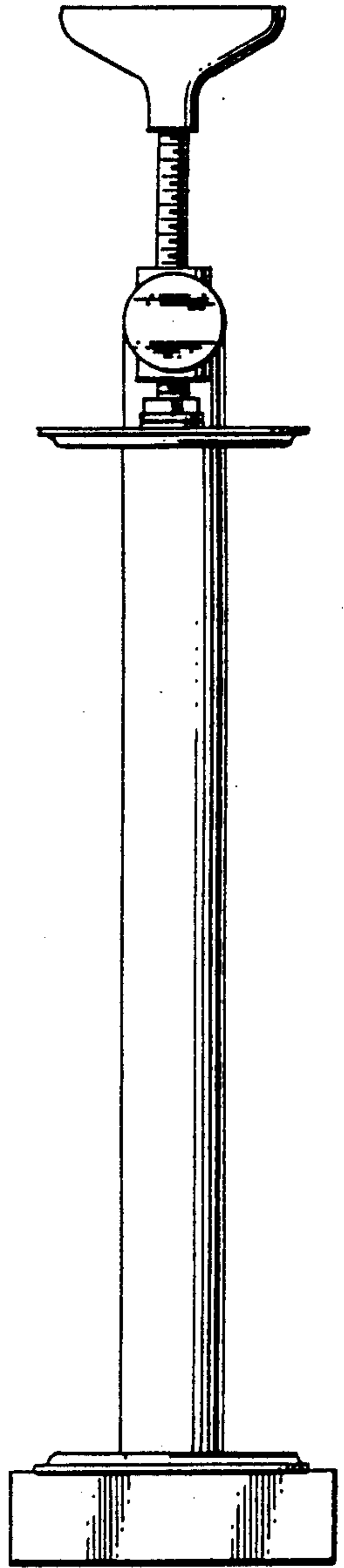


FIG. 6

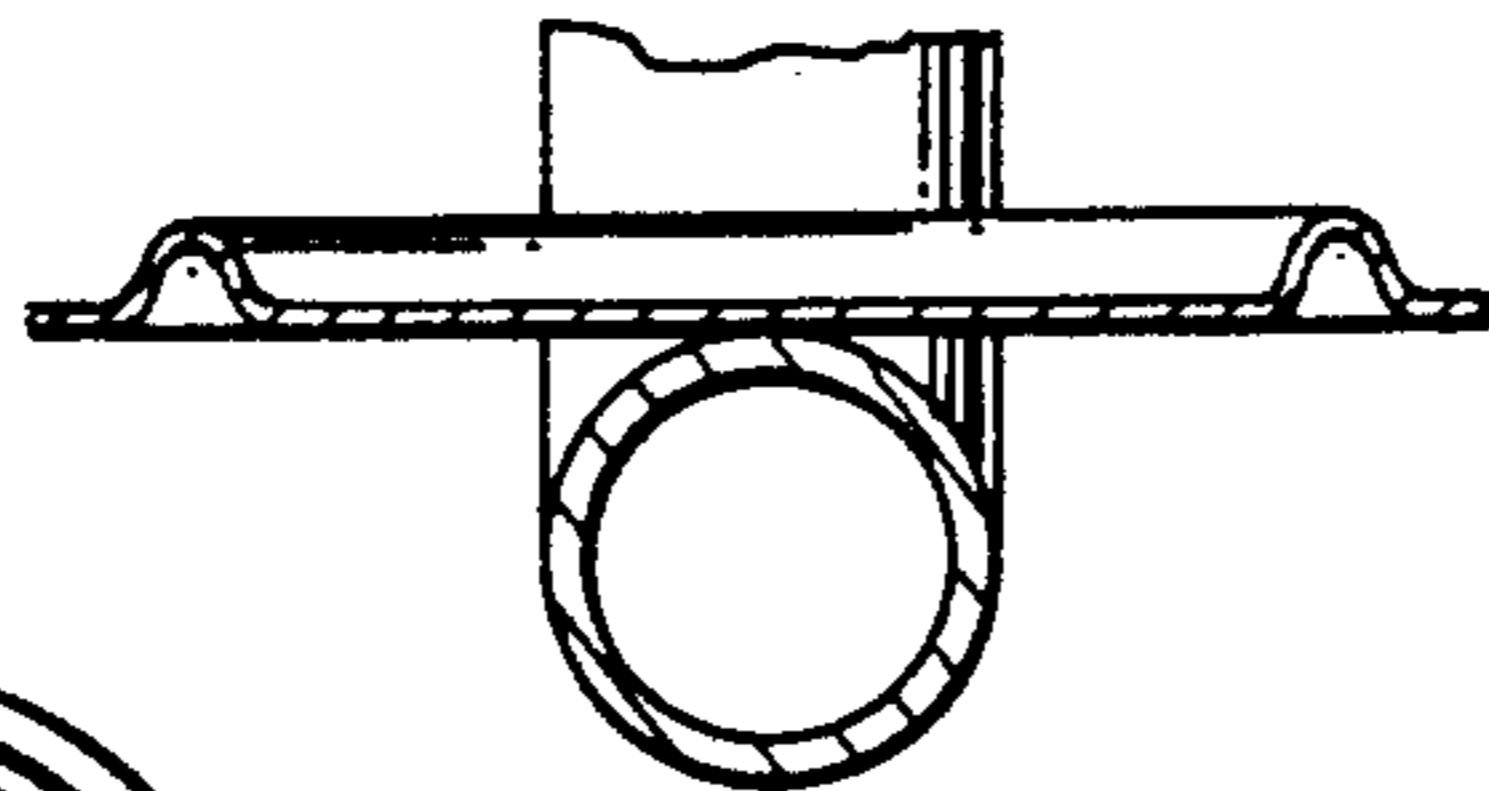


FIG. 4

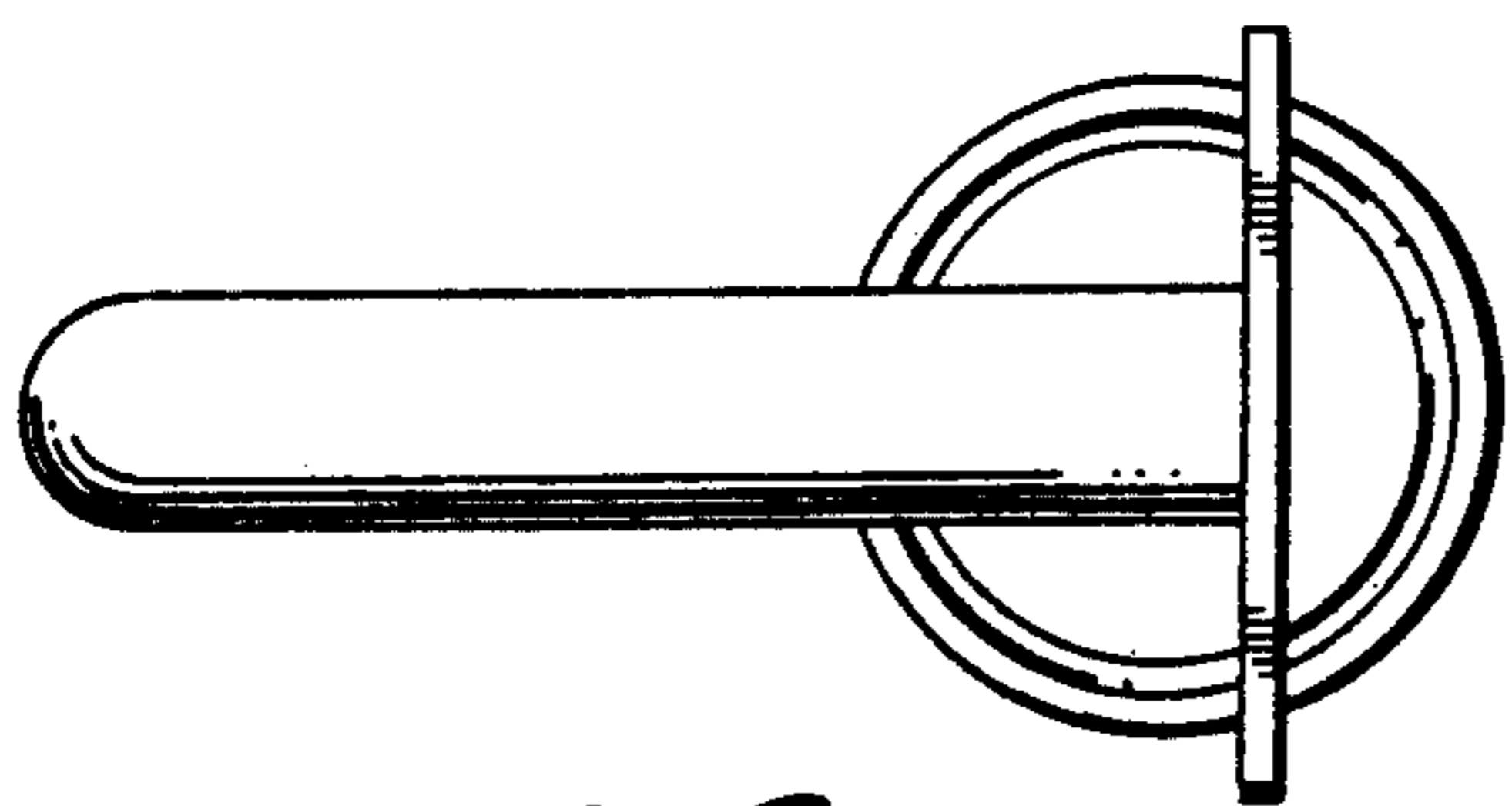


FIG. 5

