

[54] BRAKE PISTON TOOL

[76] Inventor: Gilbert Gonzales, 4301 Euclid St., E. Chicago, Ind. 46312

[**] Term: 14 Years

[21] Appl. No.: 149,200

[22] Filed: Jan. 29, 1988

[52] U.S. Cl. D8/14

[58] Field of Search D8/14, 59, 74; 81/44; 29/257, 258, 259

[56] References Cited

U.S. PATENT DOCUMENTS

D. 114,908	5/1939	Niles	D7/576
D. 175,922	10/1955	Whitehead	D8/51
D. 264,546	5/1982	Grego	D8/51
D. 267,627	1/1983	Hultin	D8/387
D. 286,499	11/1986	Moreno	D8/14 X
D. 294,796	3/1988	Bonbright	D8/51

1,631,872	6/1927	Knight	29/258
1,787,070	12/1930	Hainsworth	29/259
2,077,254	4/1937	Nestler	29/259
2,151,616	3/1939	Redell	29/256
3,234,634	2/1966	Johnson	29/243.54

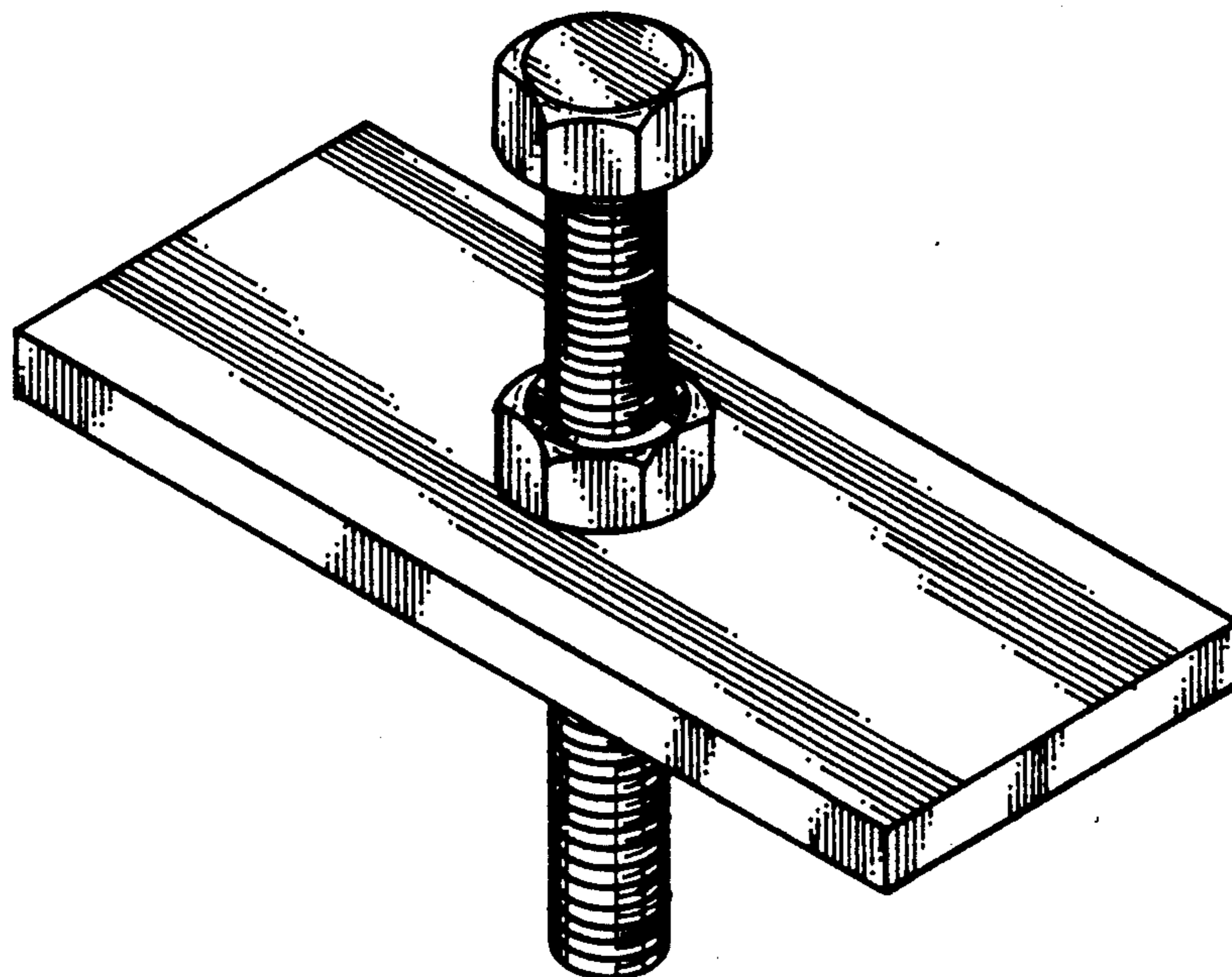
Primary Examiner—Bruce W. Dunkins
Assistant Examiner—Monica Hannon
Attorney, Agent, or Firm—L. Arnold Thaxton

[57] CLAIM

The ornamental design for a brake piston tool, as shown and described.

DESCRIPTION

FIG. 1 is a perspective view of a brake piston tool showing my new design;
FIG. 2 is a side elevational view thereof;
FIG. 3 is a front elevational view thereof;
FIG. 4 is a top plan view thereof; and
FIG. 5 is a bottom plan view thereof.



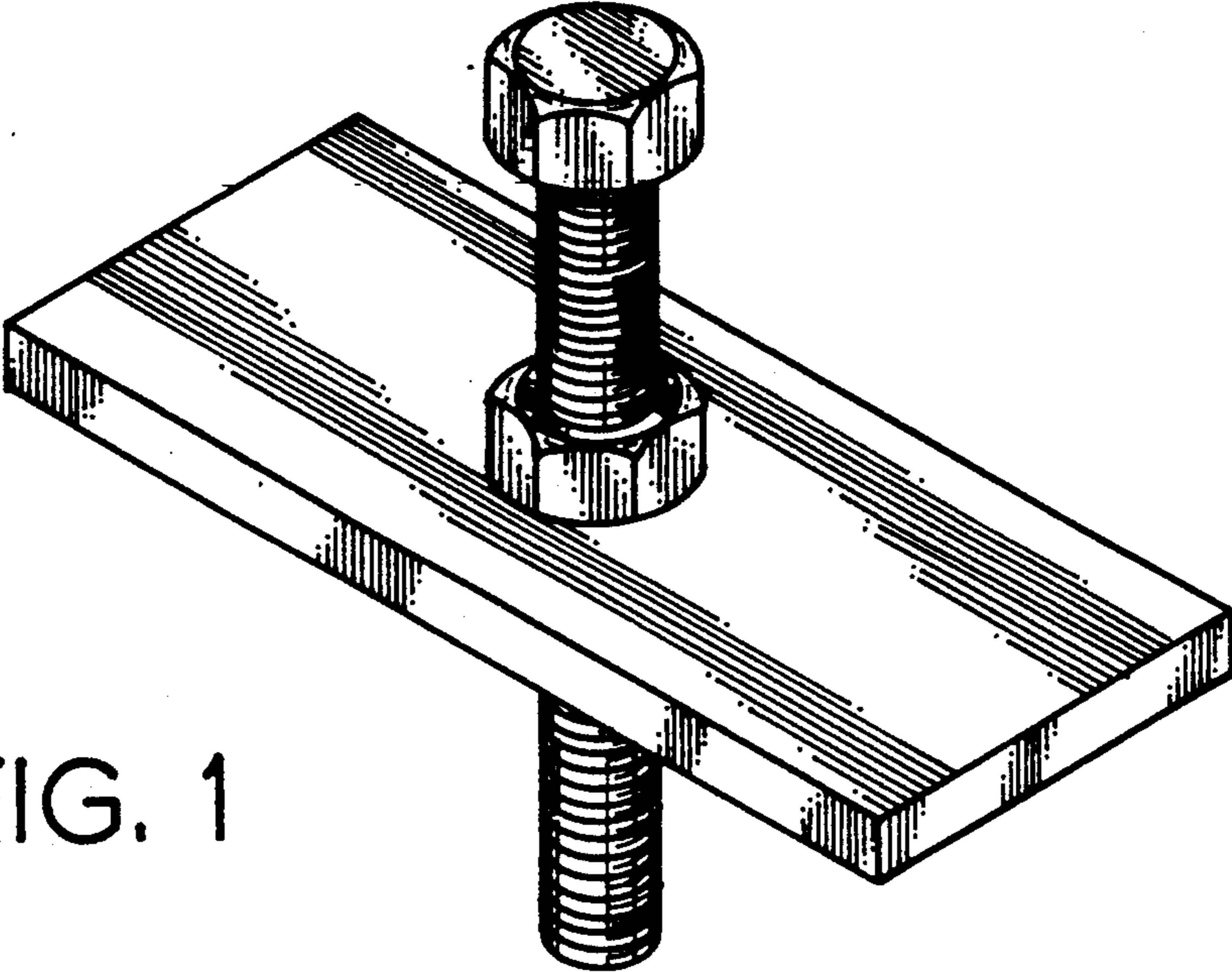


FIG. 1

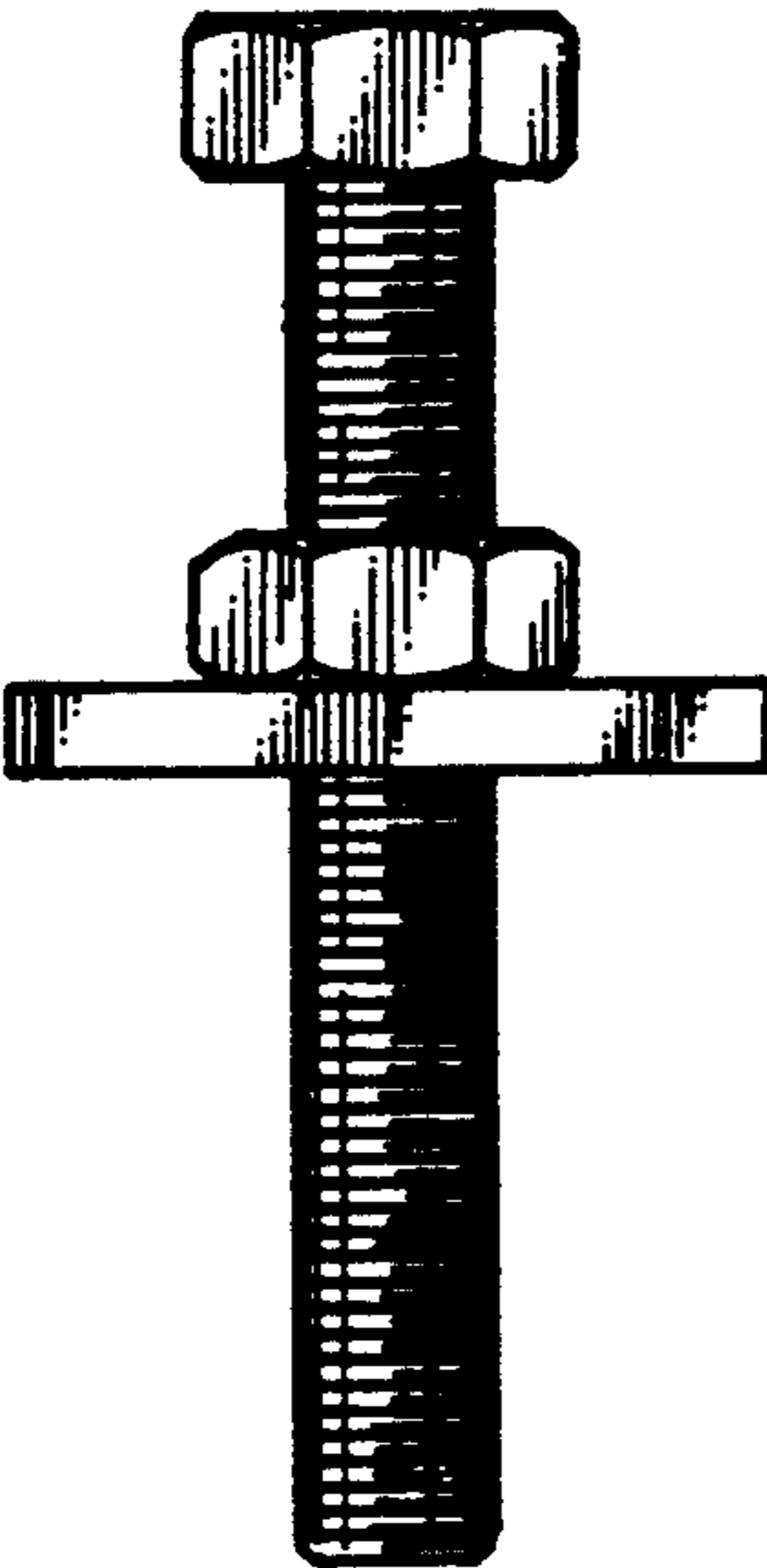


FIG. 2

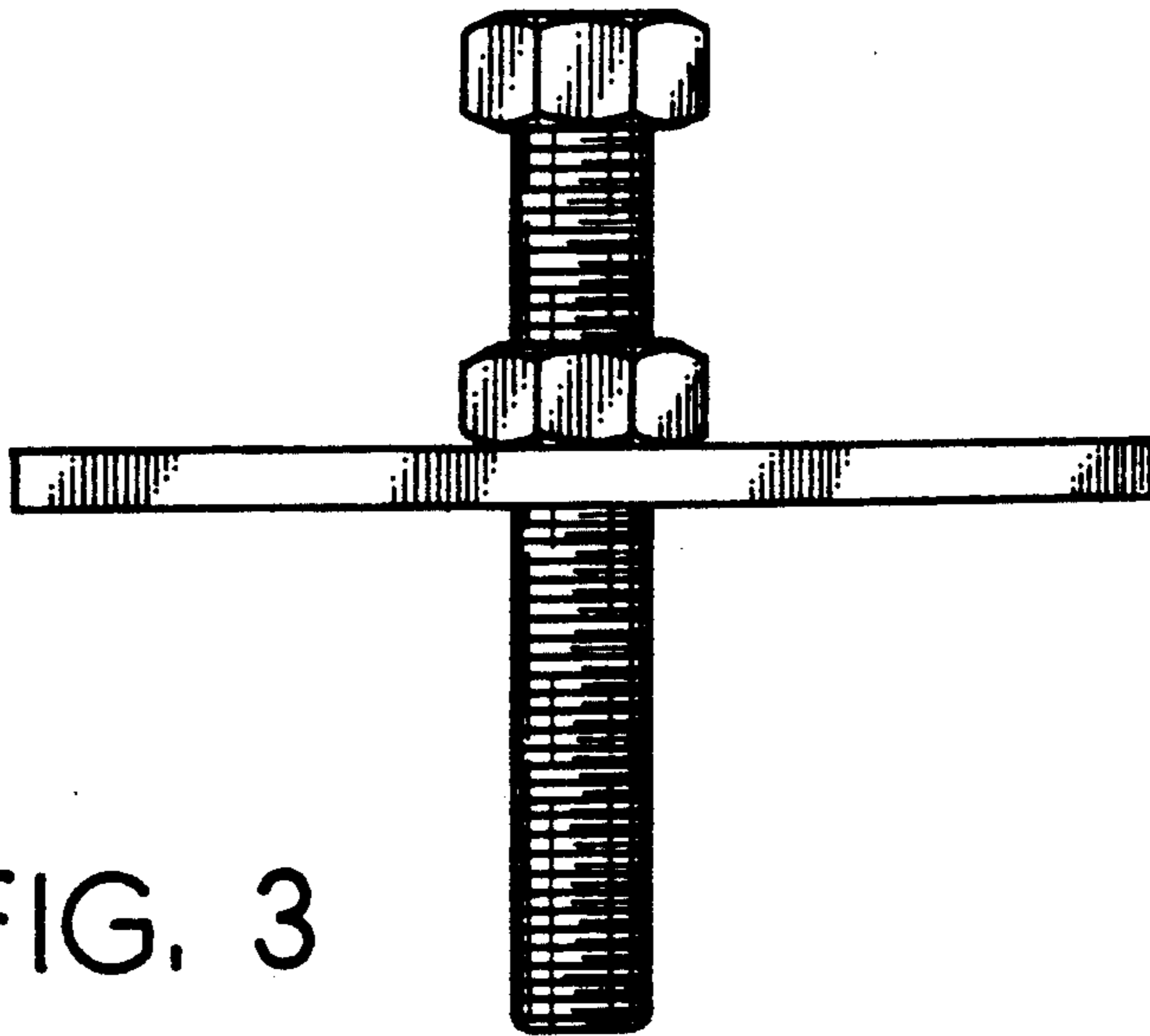


FIG. 3

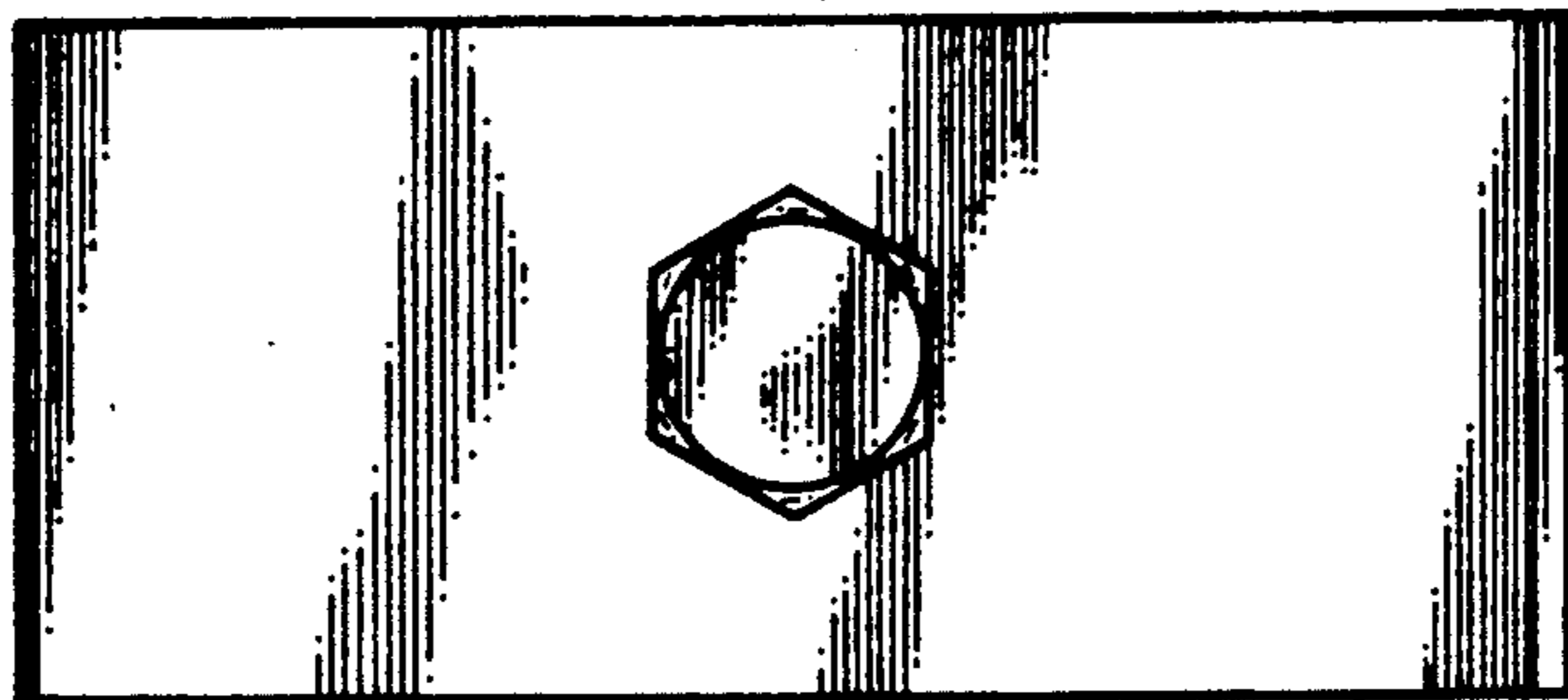


FIG. 4

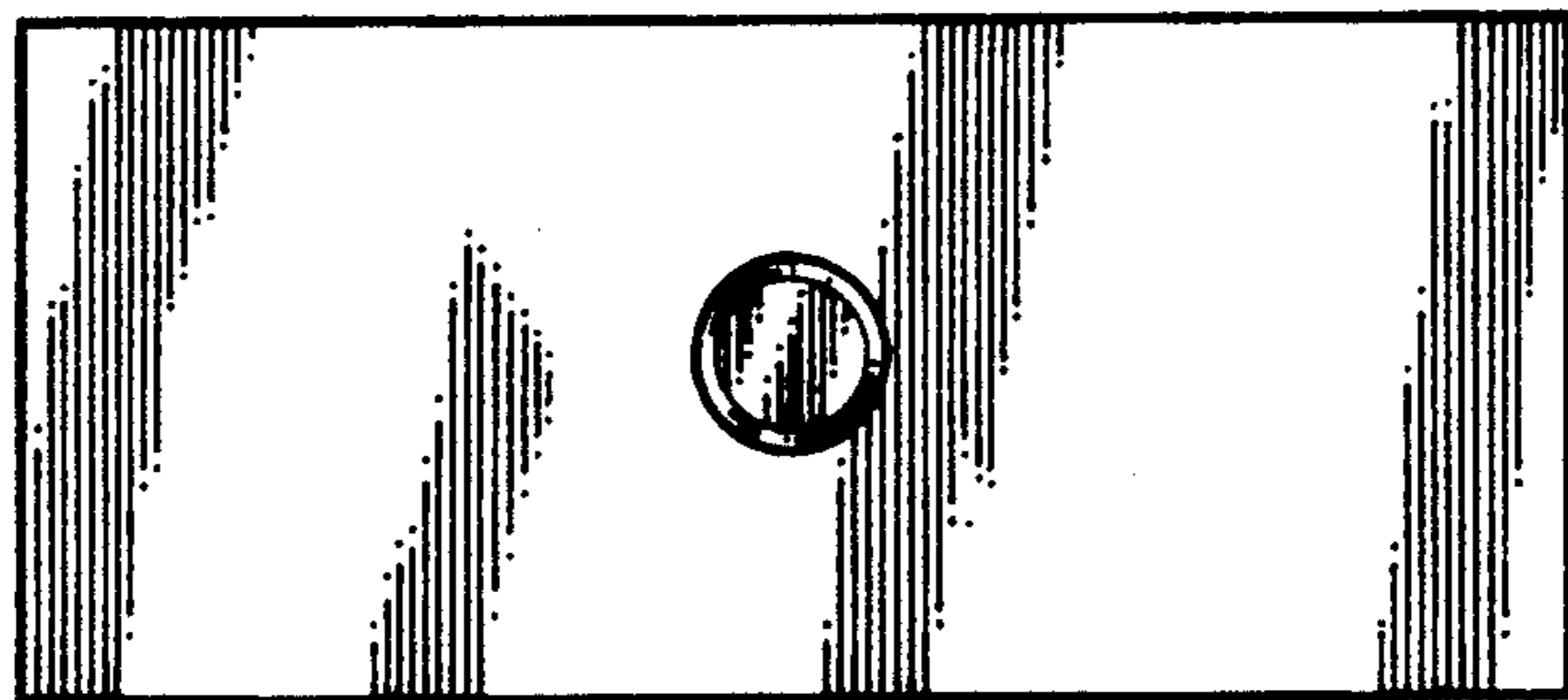


FIG. 5