

[54] PAPER TOWEL HOLDER

[75] Inventors: Robert A. Wolff, Middleburg; John F. Troxell, Jr., Northumberland, both of Pa.

[73] Assignee: Wood-Mode, Incorporated, Kreamer, Pa.

[\*\*] Term: 14 Years

[21] Appl. No.: 433,319

[22] Filed: Nov. 8, 1989

[52] U.S. Cl. .... D6/522

[58] Field of Search ..... D6/515, 518, 522-523, D6/546; 242/55.2; 211/13, 16, 45, 86, 182; 221/282-283, 312 A; 248/339-340; 312/37

[56] References Cited

U.S. PATENT DOCUMENTS

- D. 204,595 5/1966 Turro ..... D6/523
- D. 298,395 11/1988 Colavito ..... D6/518

- 1,224,378 5/1917 Hillyard ..... D6/522 X
- 4,762,288 8/1988 Eckels ..... D6/523 X
- 4,858,840 8/1989 Kidman ..... D6/523 X

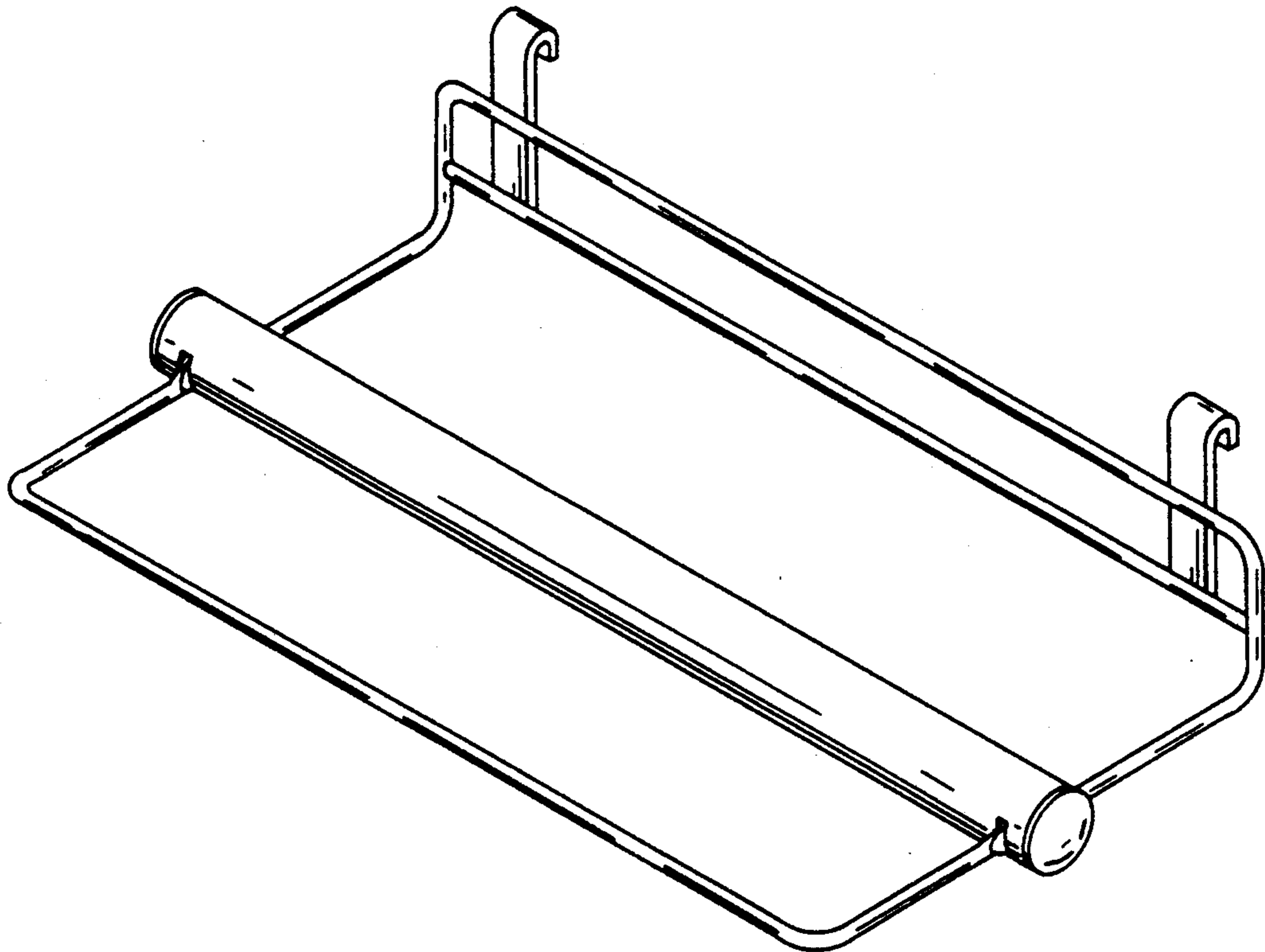
Primary Examiner—Wallace R. Burke  
Assistant Examiner—Brian N. Vinson  
Attorney, Agent, or Firm—Caesar, Rivise, Bernstein, Cohen & Pokotilow, Ltd.

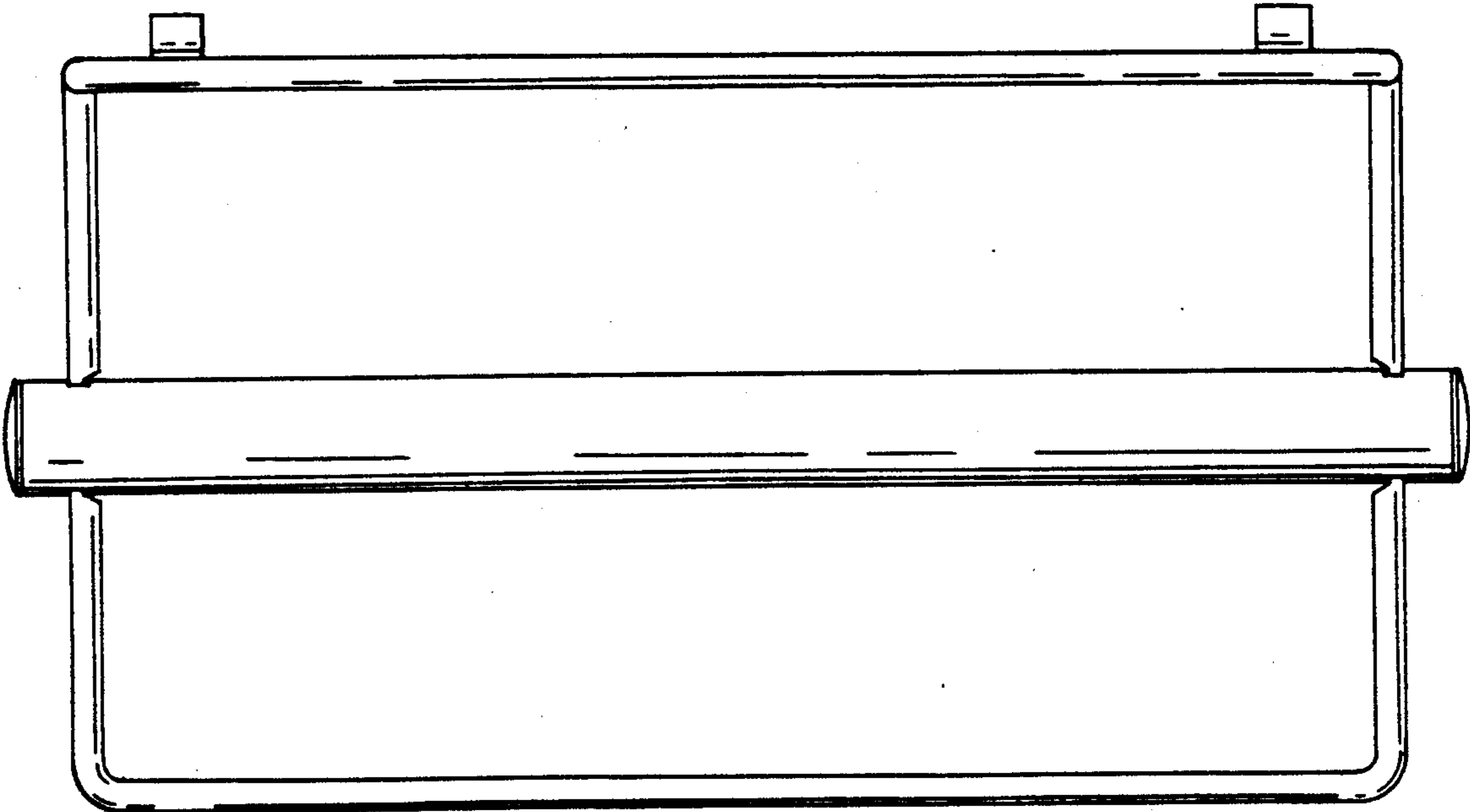
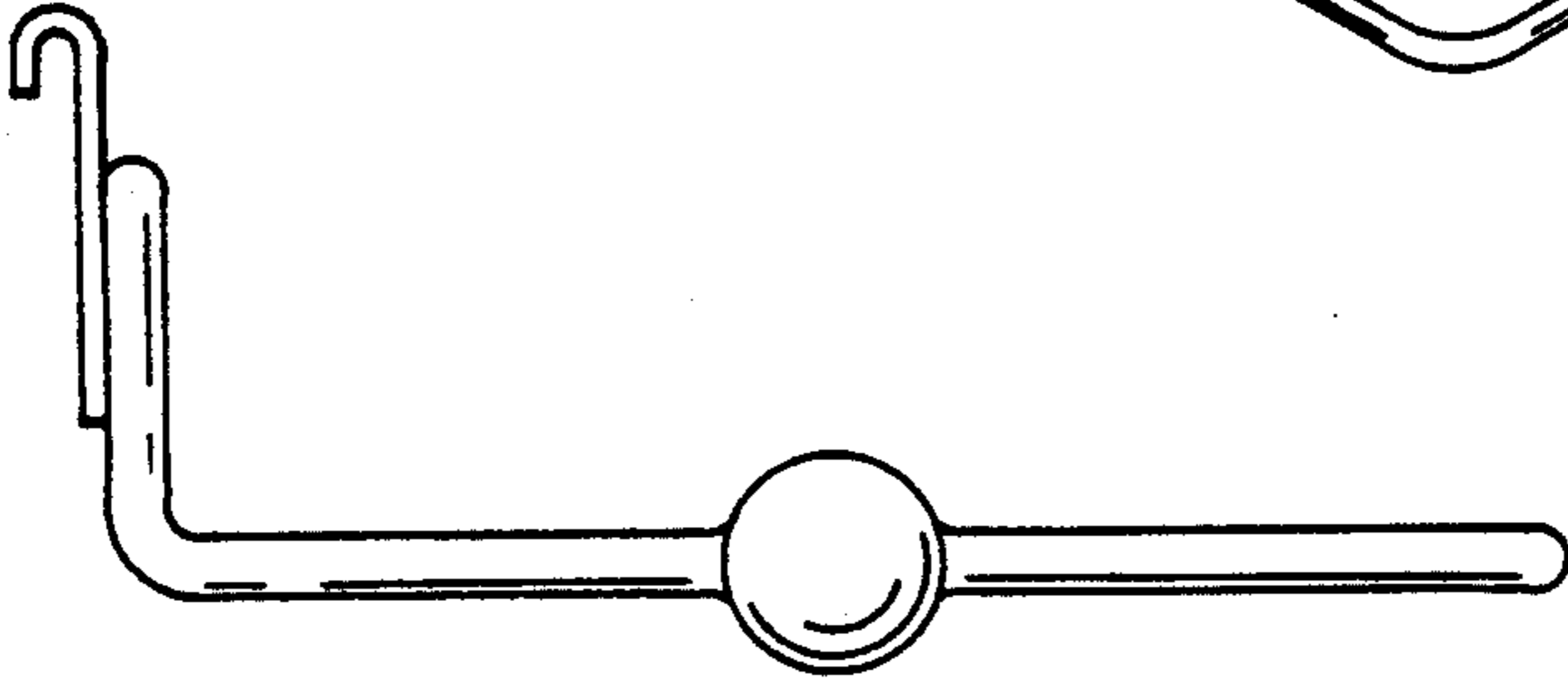
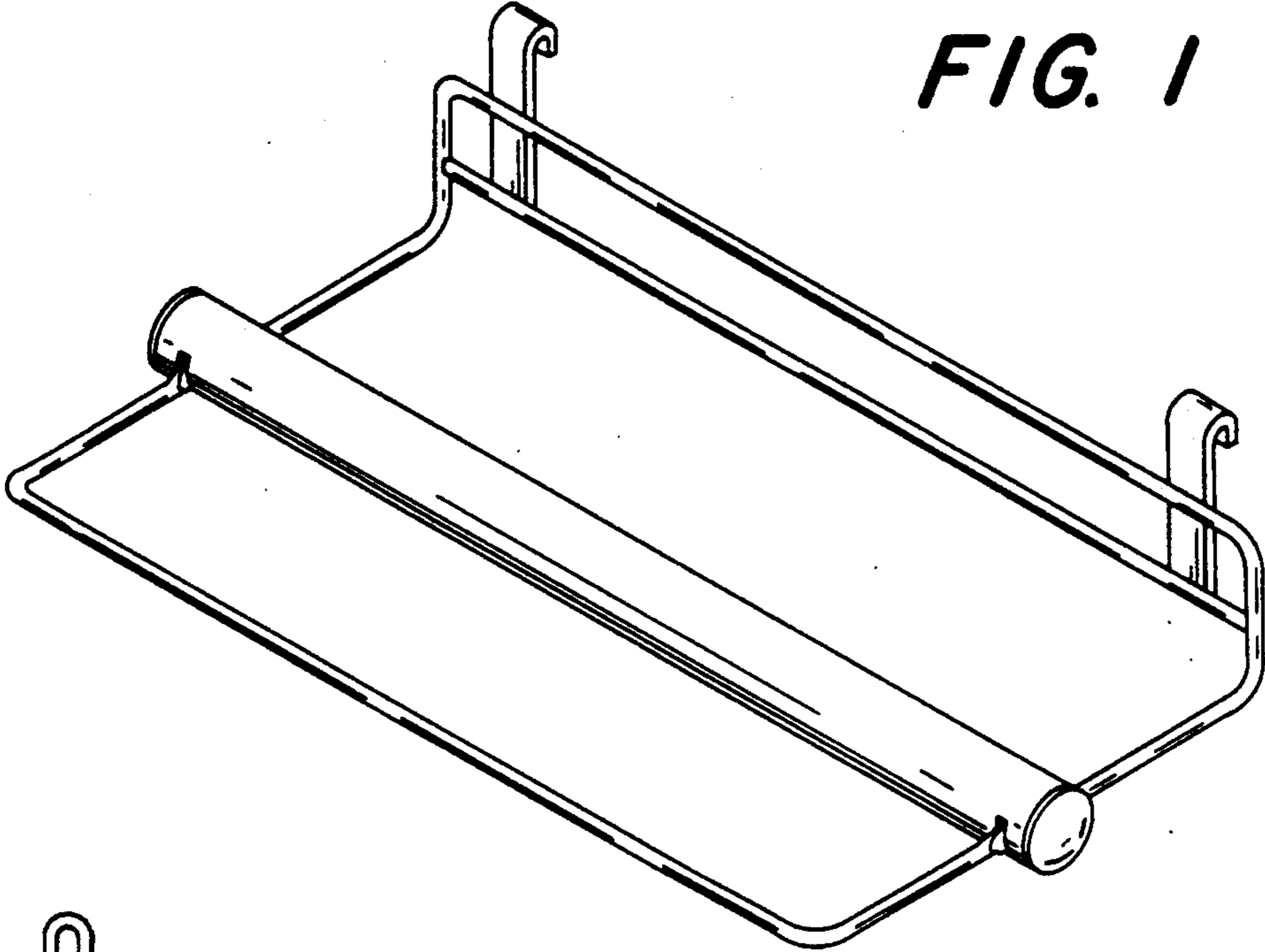
[57] CLAIM

The ornamental design for a paper towel holder, as shown and described.

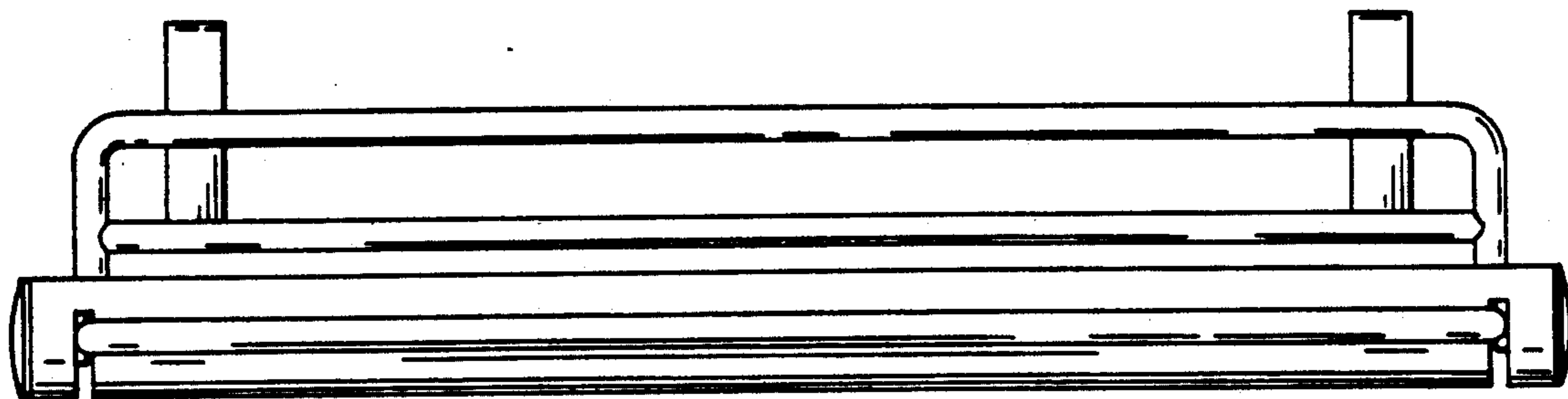
DESCRIPTION

FIG. 1 is a perspective view of a paper towel holder showing our new design;  
FIG. 2 is a left side elevational view thereof, the right side being a mirror image;  
FIG. 3 is a front elevational view thereof;  
FIG. 4 is a rear elevational view thereof;  
FIG. 5 is a top plan view thereof; and,  
FIG. 6 is a bottom plan view thereof.

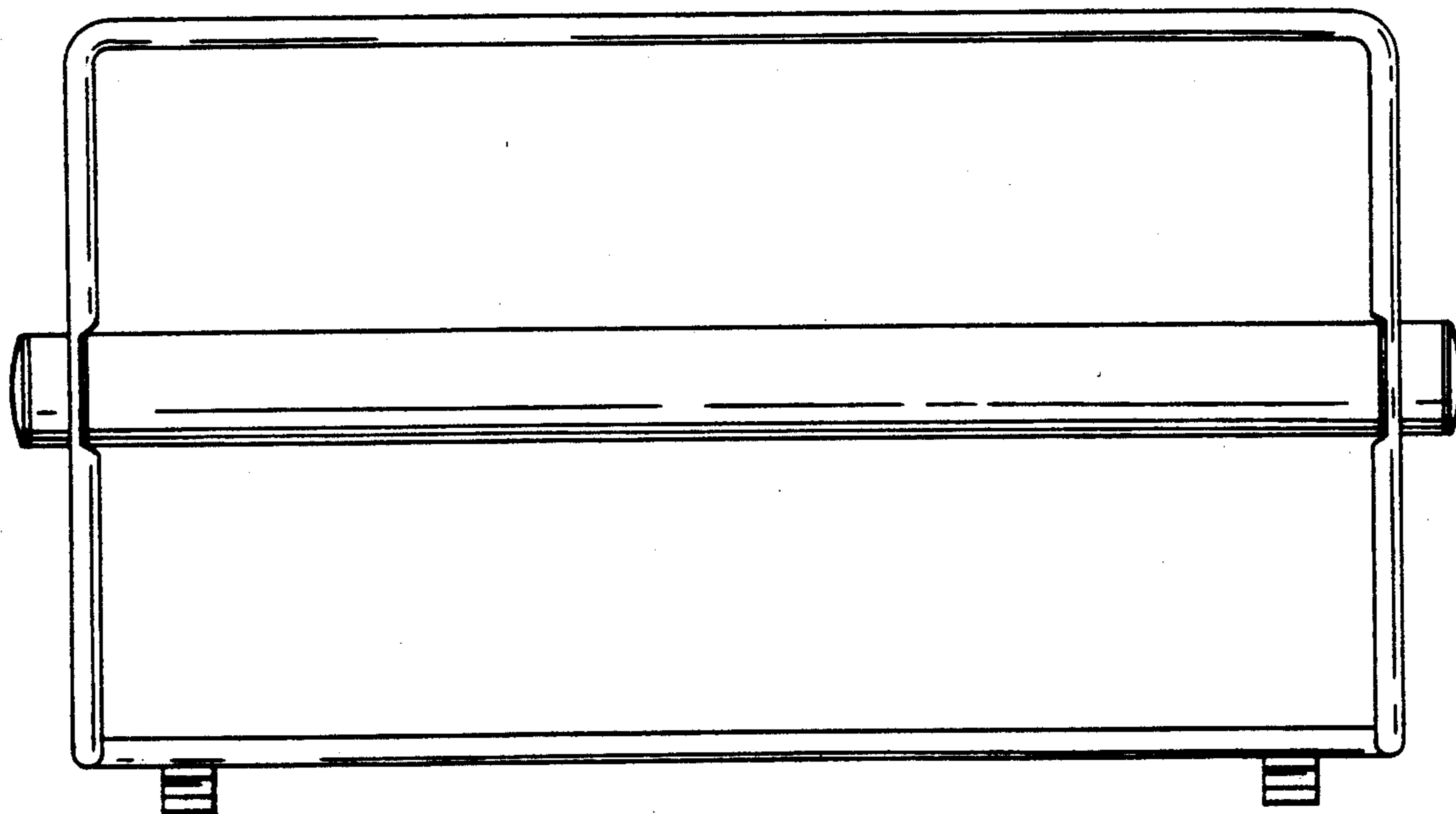
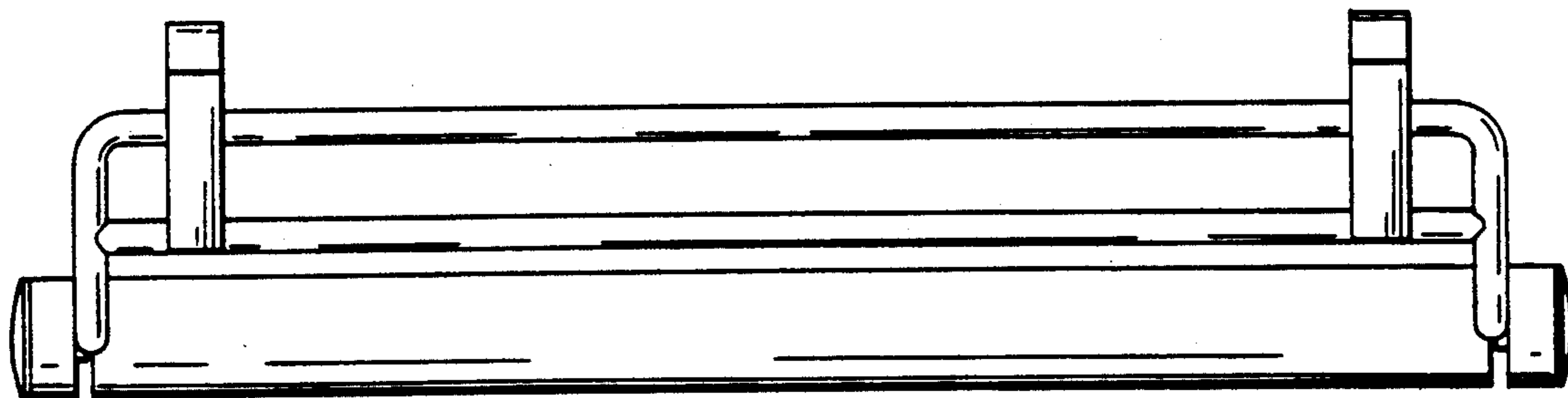




*FIG. 3*



*FIG. 4*



*FIG. 6*