

[54] CHAIR

[75] Inventor: Renato Fulcheri, Turin, Italy

[73] Assignee: Press S.p.A., Italy

[\*\*] Term: 14 Years

[21] Appl. No.: 143,963

[22] Filed: Jan. 14, 1988

[30] Foreign Application Priority Data

Jul. 14, 1987 [IT] Italy ..... 53519 B/87[U]

[52] U.S. Cl. .... D6/373; D6/379; D6/380

[58] Field of Search ..... D6/373, 379, 380

[56] References Cited

U.S. PATENT DOCUMENTS

D. 233,870	12/1974	Goldsmith	.....	D6/374
D. 234,332	2/1975	Tada	.....	D6/374
D. 234,653	4/1975	Morishita	.....	D6/375
D. 236,395	8/1975	Kinsman	.....	D6/374
D. 237,332	10/1975	Laylon	.....	D6/373
D. 243,425	2/1977	Gibson	.....	D6/373

OTHER PUBLICATIONS

Interiors, Jun. 1979, p. 92, chair, front left of page.

Primary Examiner—Bruce W. Dunkins

Assistant Examiner—Gary D. Watson

Attorney, Agent, or Firm—Shlesinger, Arkwright & Garvey

[57] CLAIM

The ornamental design for a chair, as shown and described.

DESCRIPTION

FIG. 1 is a front elevational view of the chair showing my new design;

FIG. 2 is a left side perspective view;

FIG. 3 is a rear elevational view;

FIG. 4 is a top plan view;

FIG. 5 is a right side perspective view; and

FIG. 6 is a bottom plan view thereof;

FIG. 7 is a front elevational view of a second embodiment of the chair showing my new design;

FIG. 8 is a right side perspective view;

FIG. 9 is a rear elevational view;

FIG. 10 is a top plan view;

FIG. 11 is a left side perspective view; and

FIG. 12 is a bottom plan view thereof.

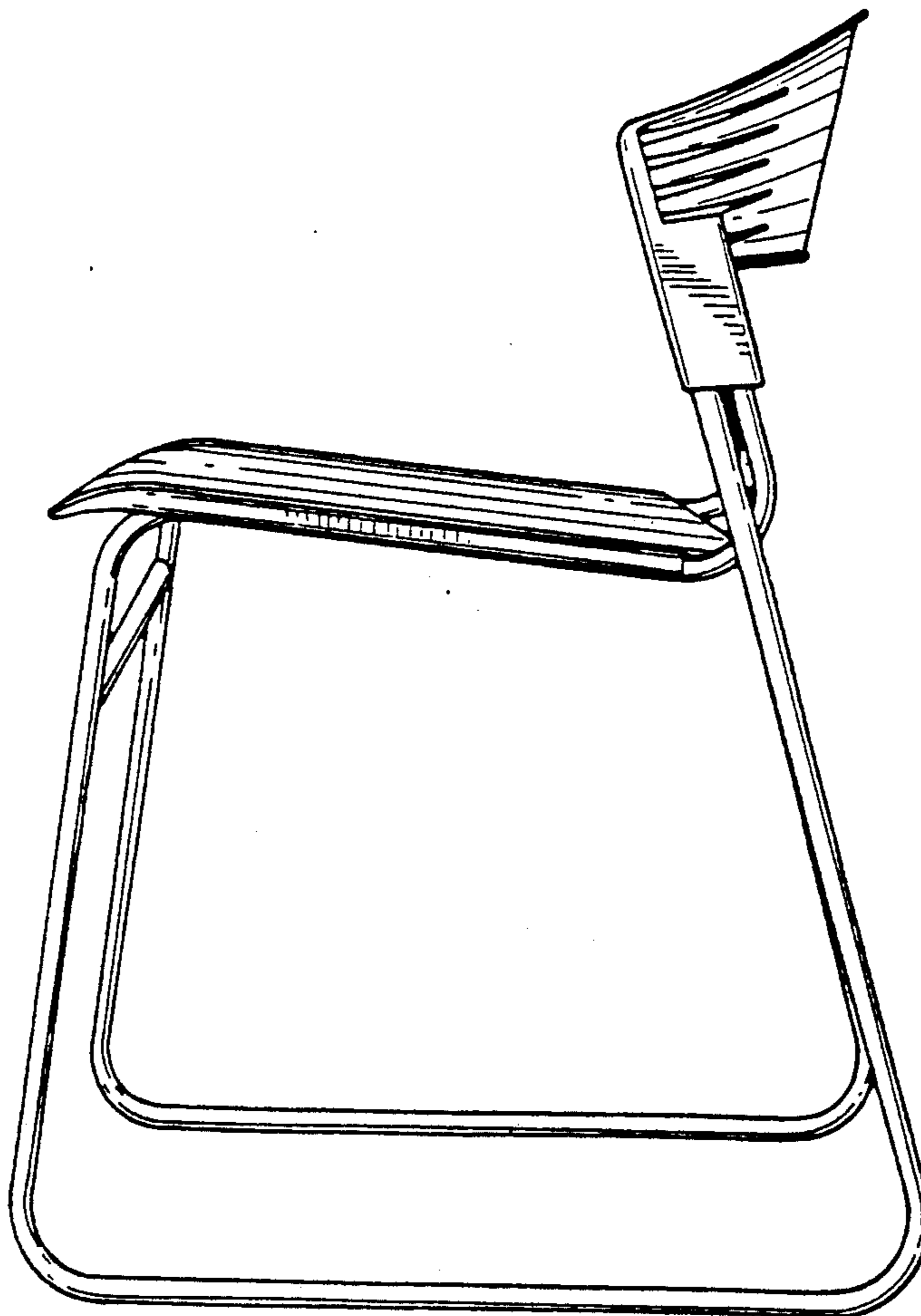


FIG. 1

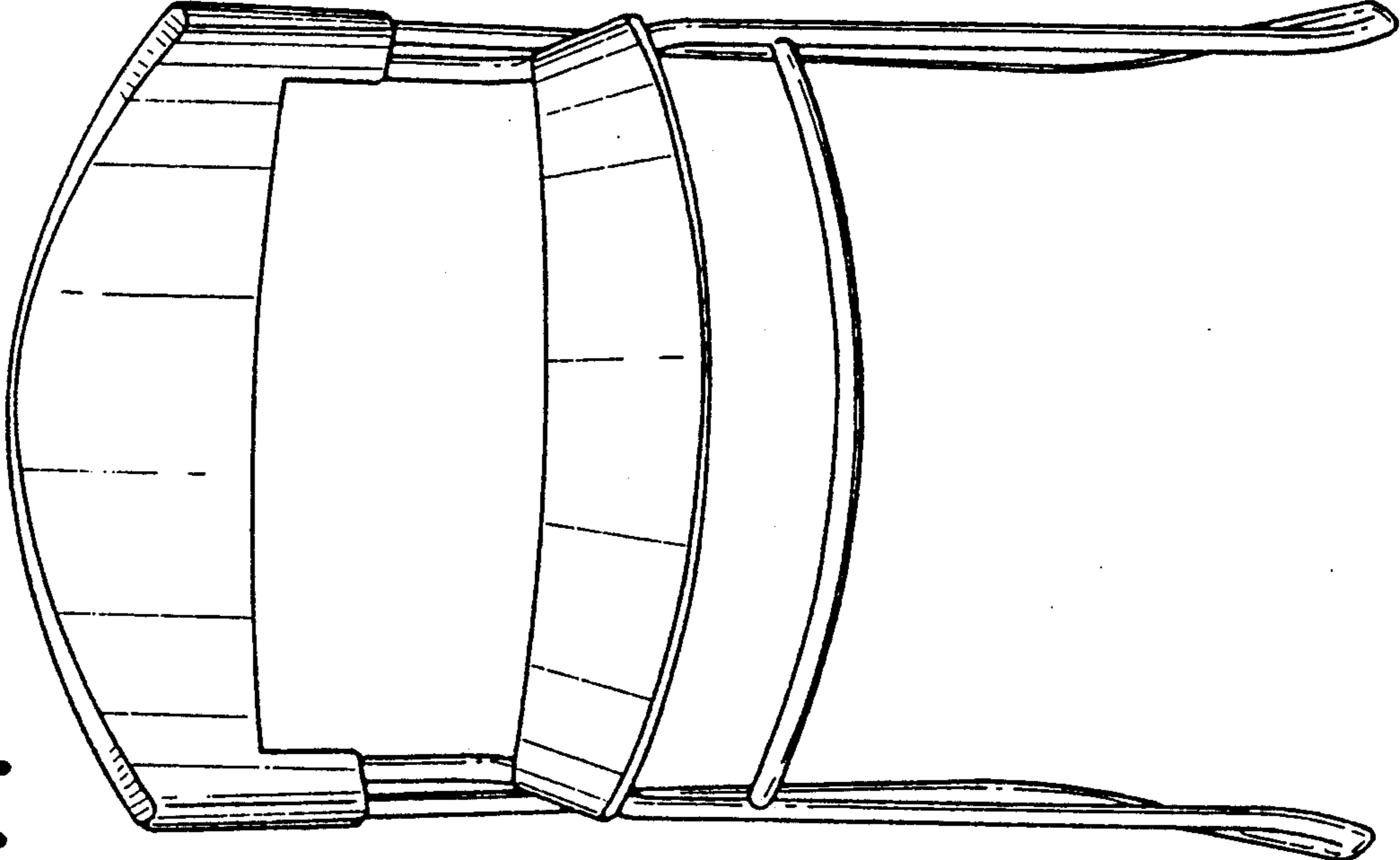


FIG. 2

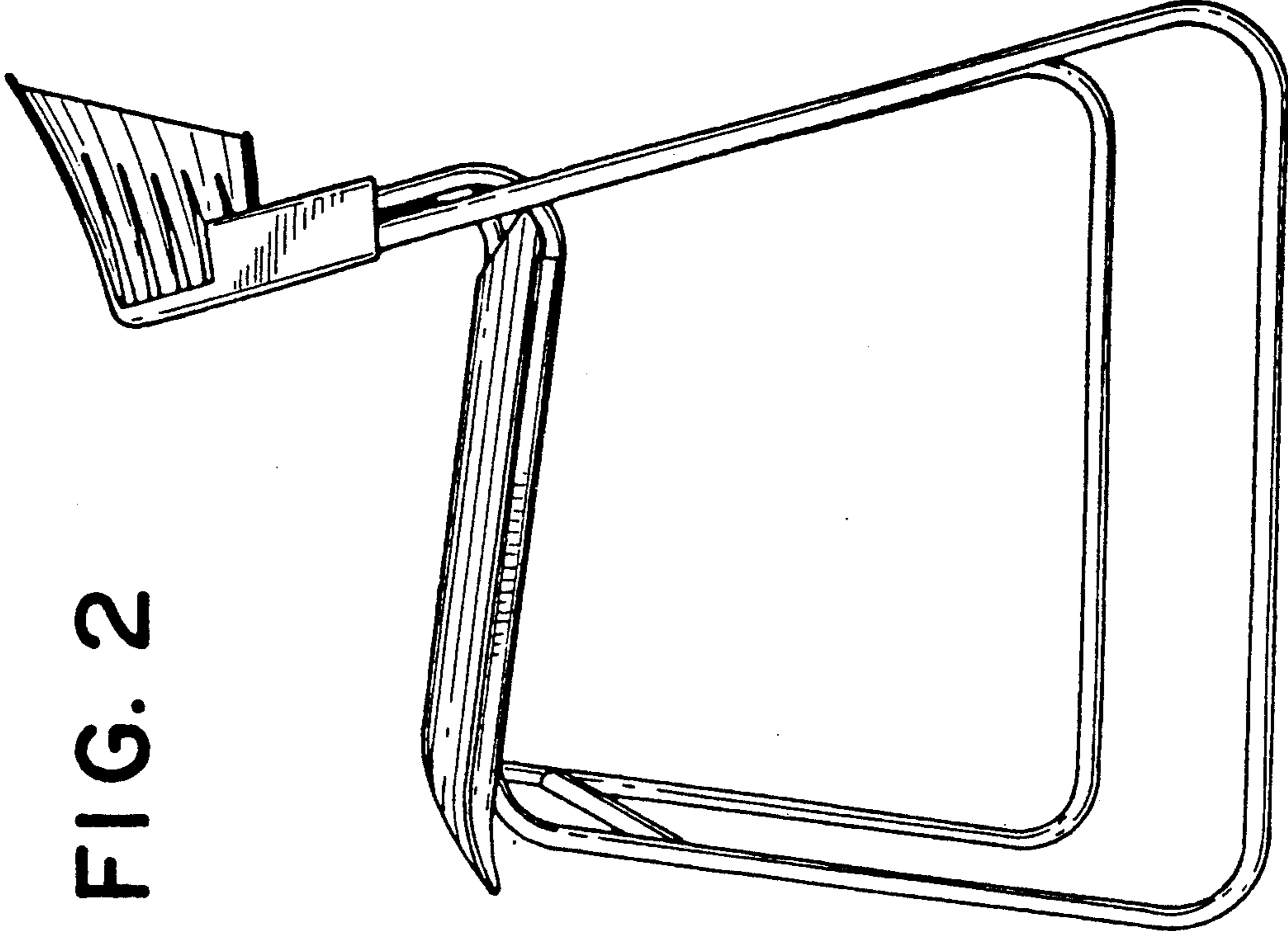


FIG. 4

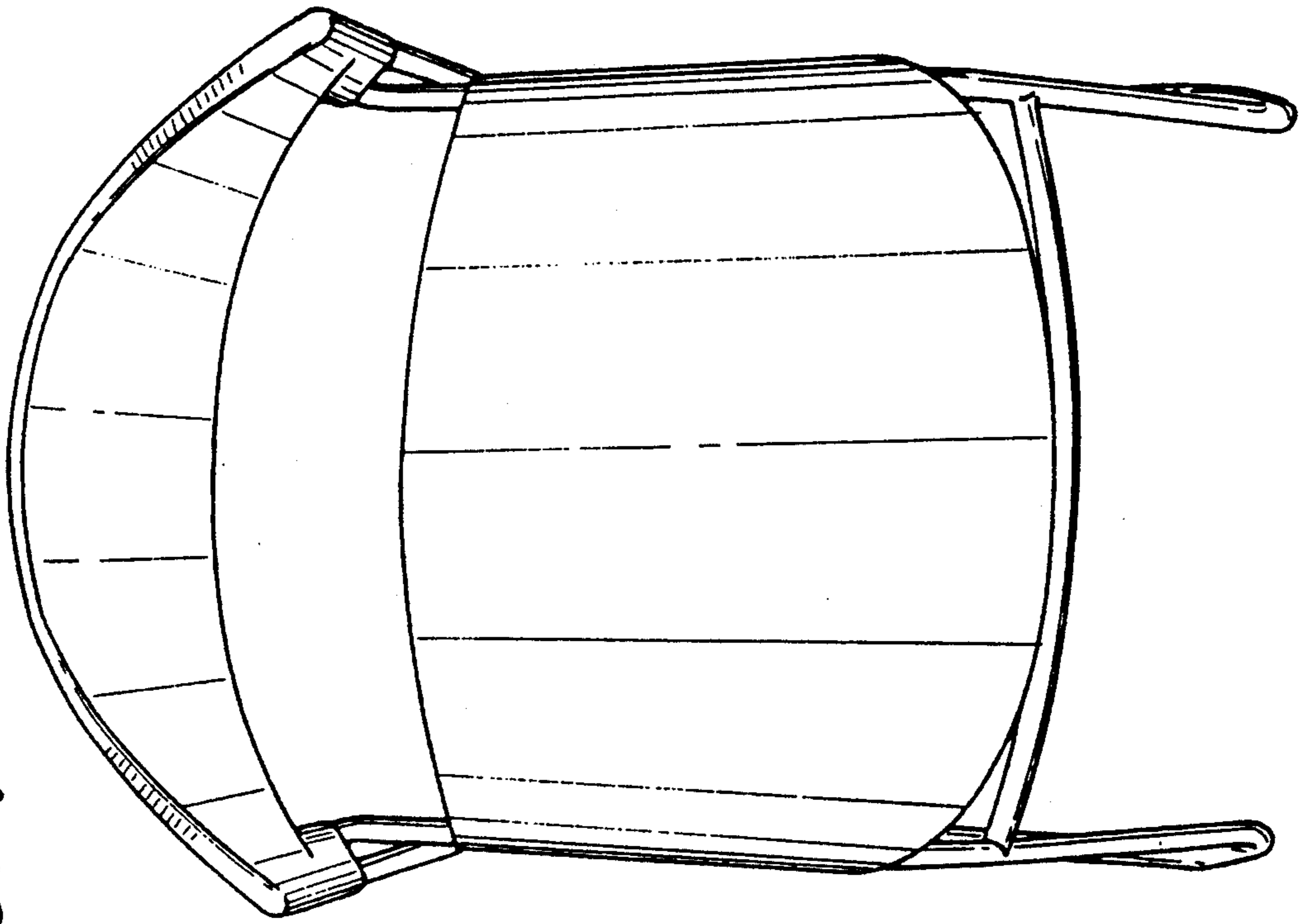


FIG. 3

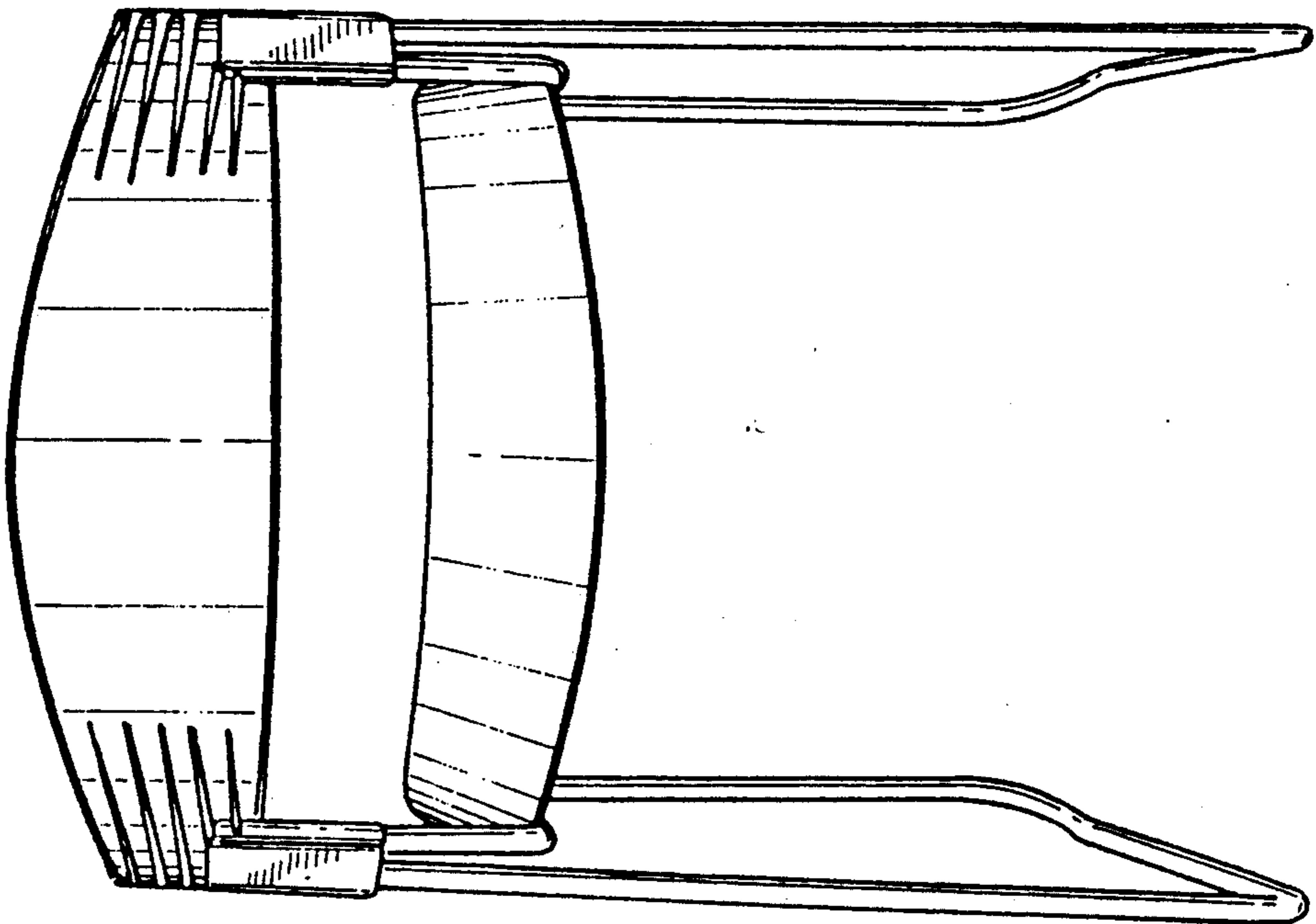


FIG. 6

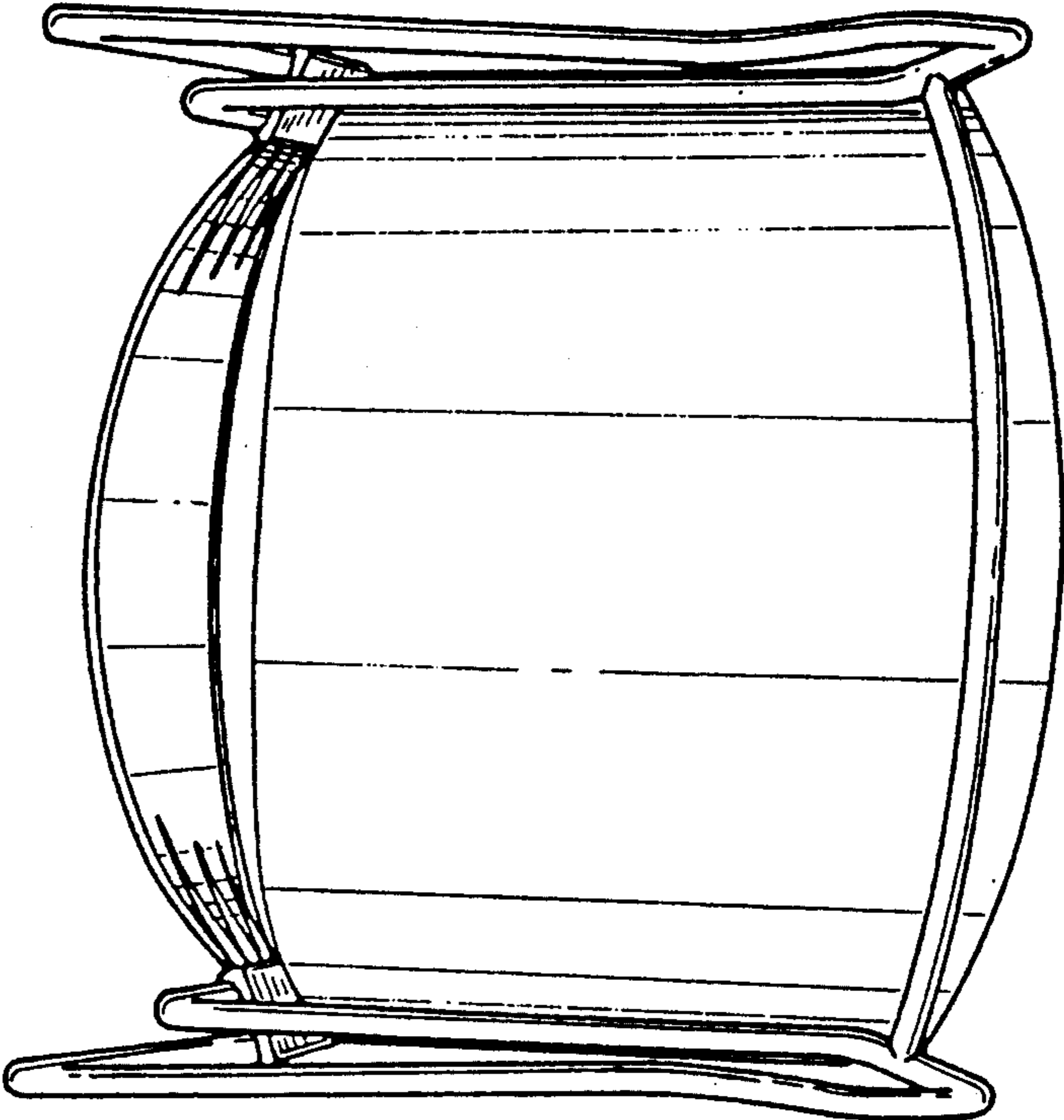


FIG. 5

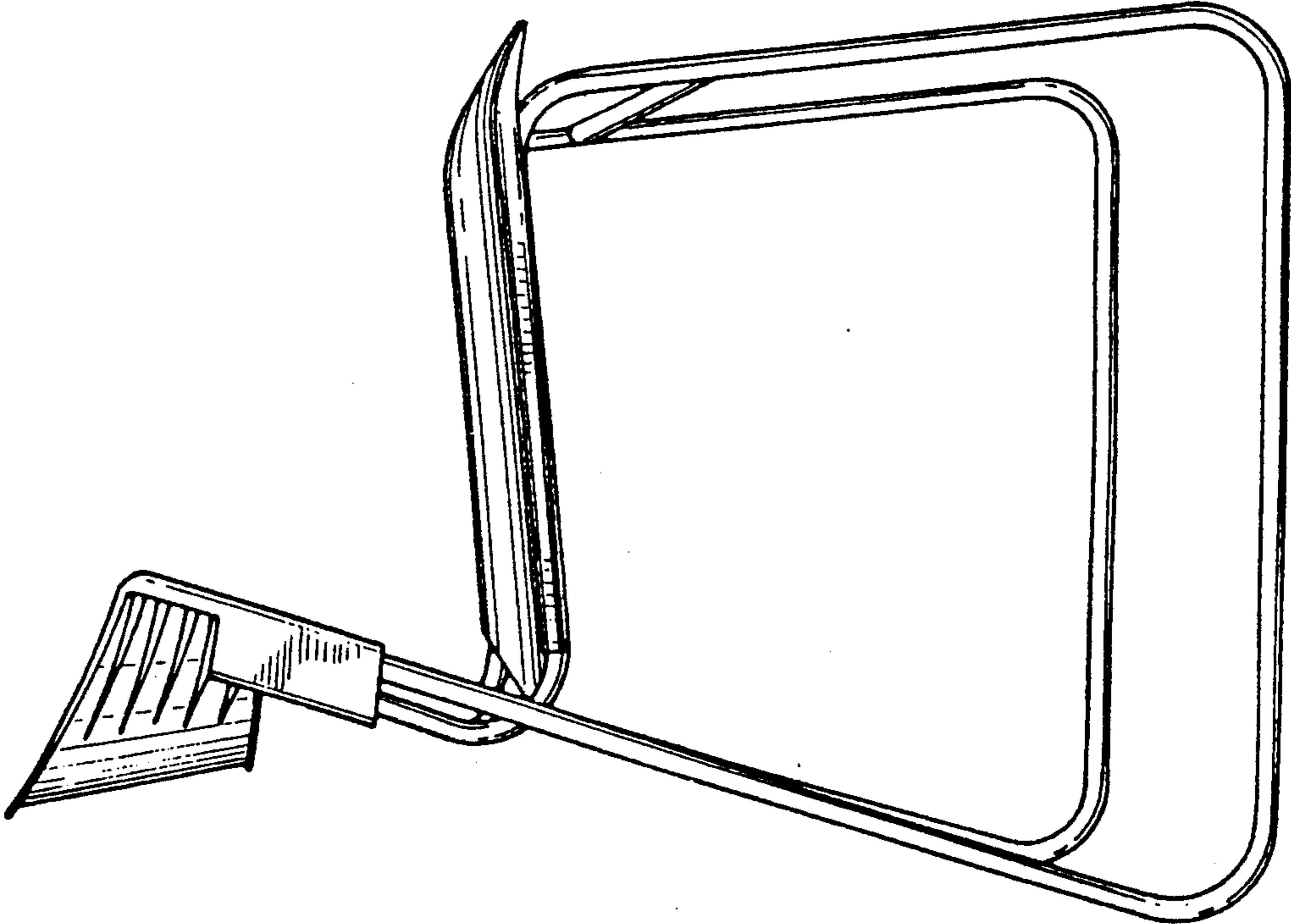


FIG. 8

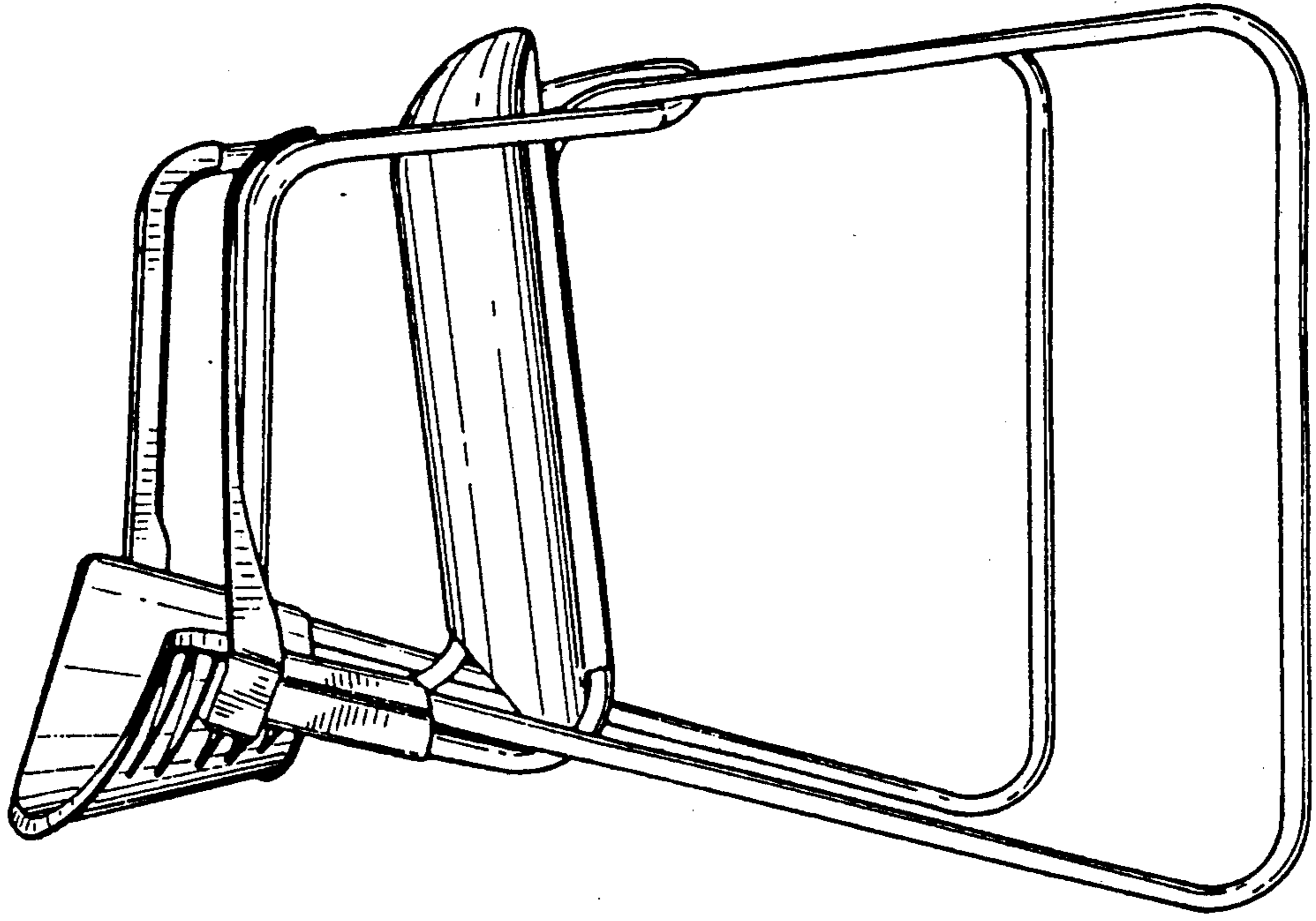


FIG. 7

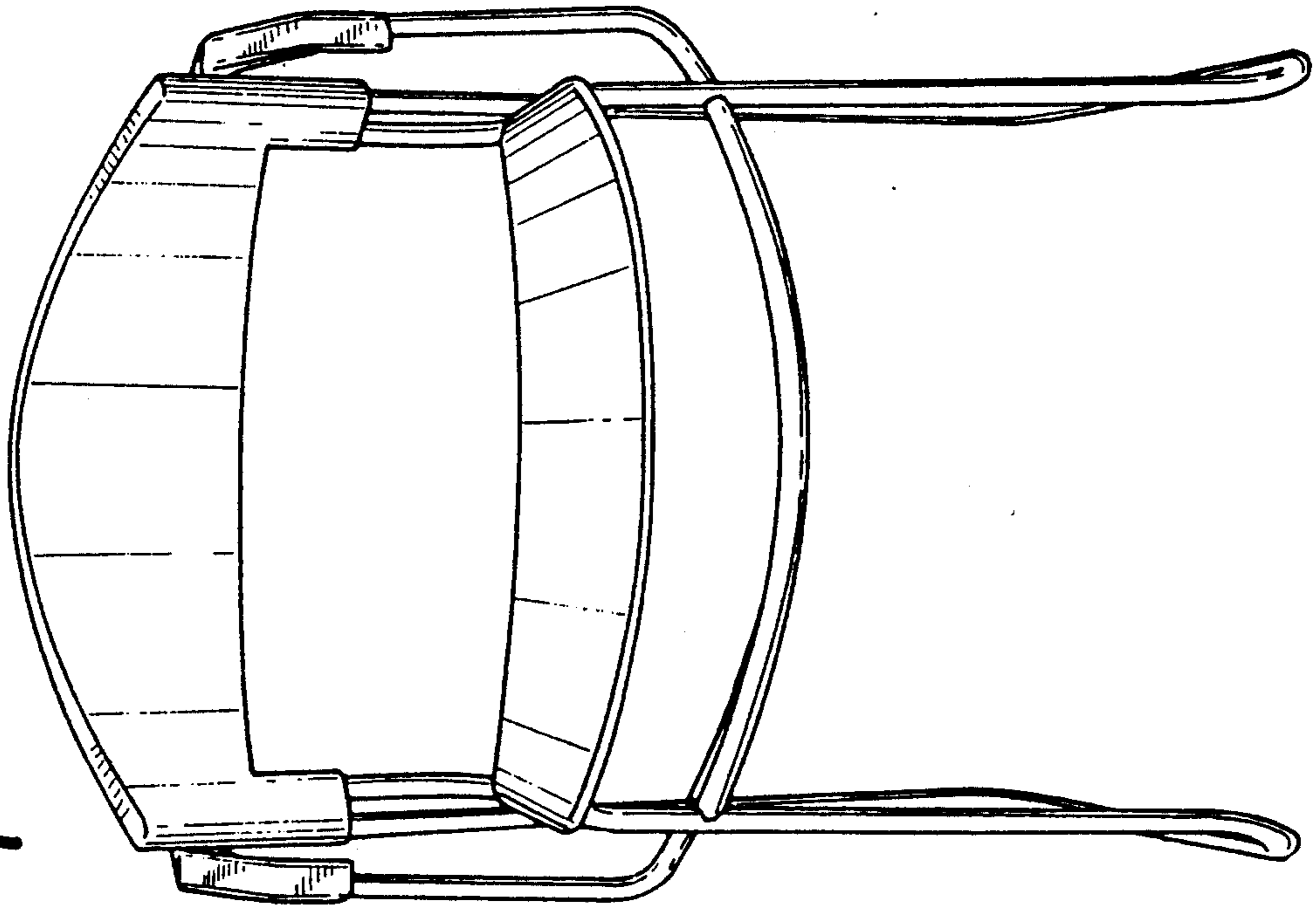


FIG. 10

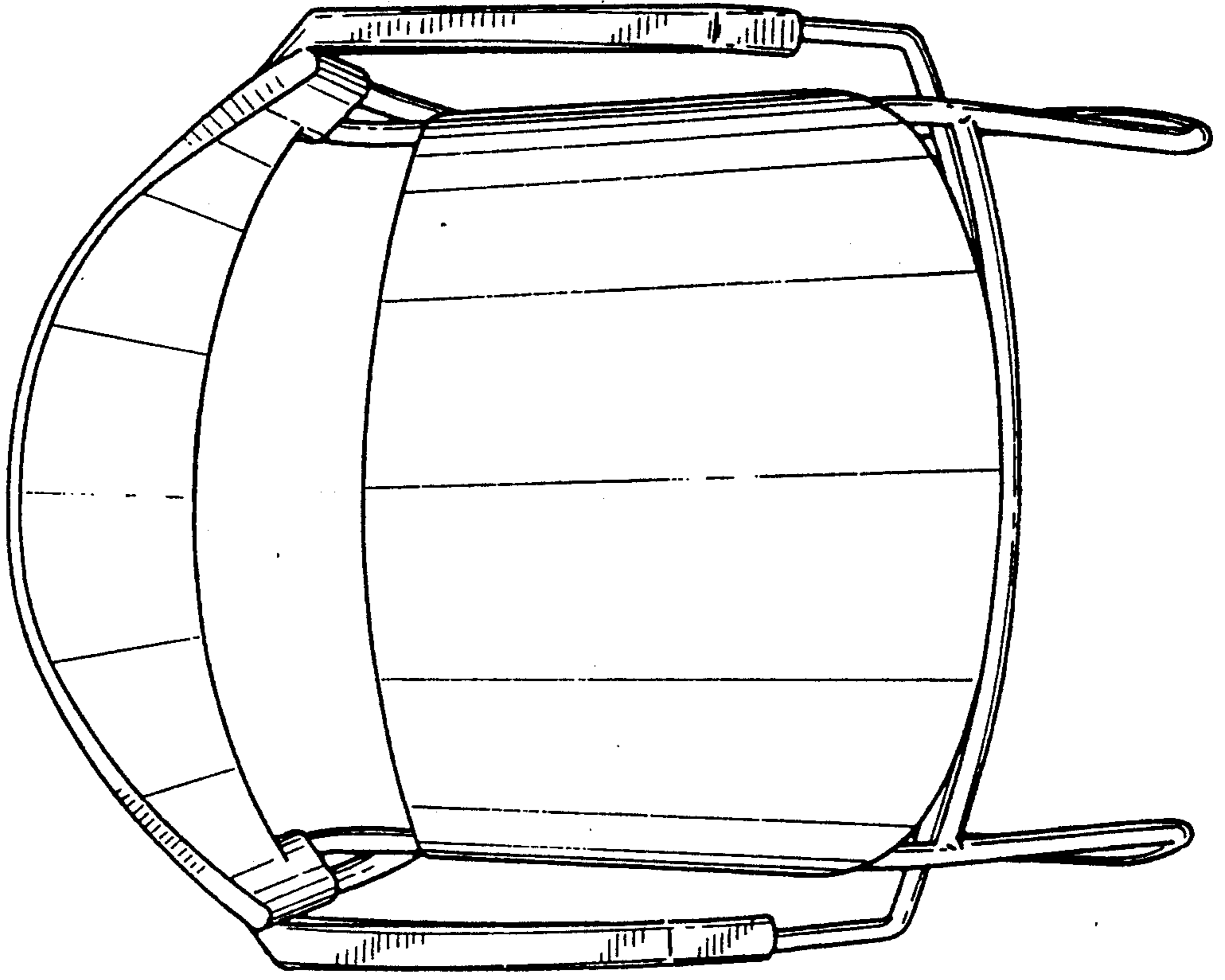


FIG. 9

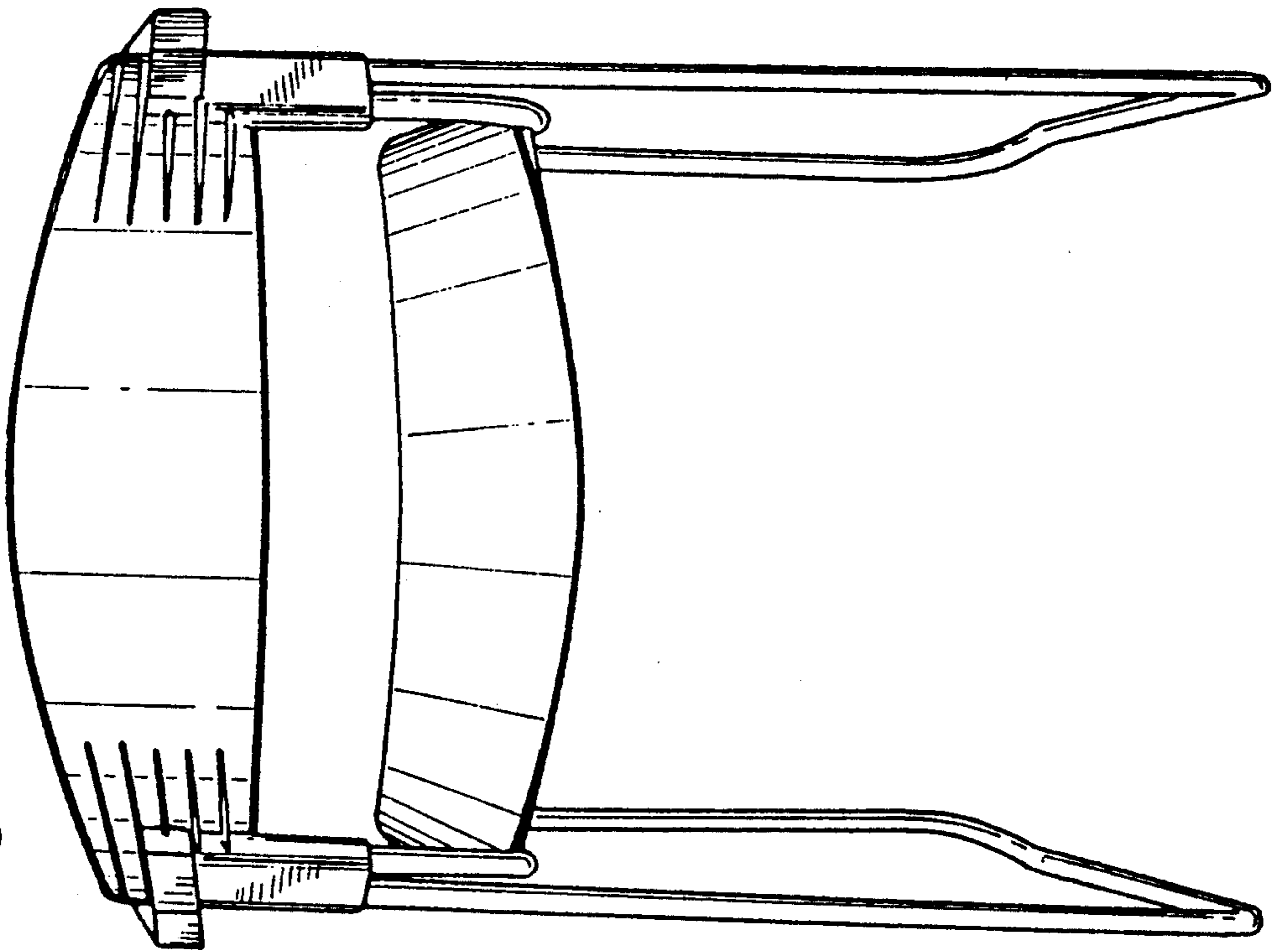


FIG. 11

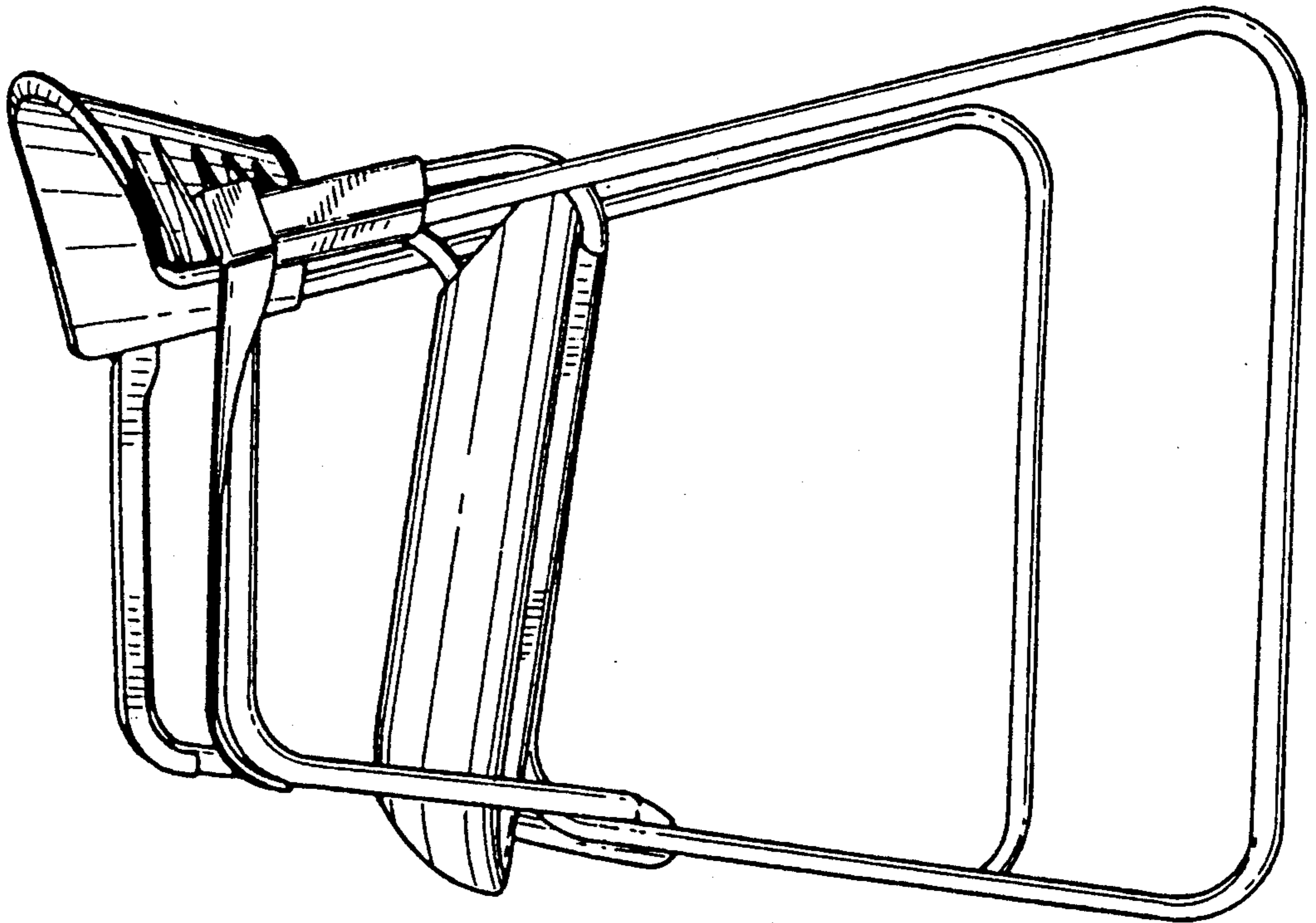


FIG. 12

