

[54] COMBINED KEY CHAIN AND TRIGGER HOLDER

[76] Inventor: Francis Addy, 13240 Belcher Rd. South, Largo, Fla. 33543

[**] Term: 14 Years

[21] Appl. No.: 34,583

[22] Filed: Apr. 6, 1987

[52] U.S. Cl. D3/62; D11/5

[58] Field of Search D3/61-65; D11/5; 24/371; 2/DIG. 6; 128/DIG. 15

[56] References Cited

U.S. PATENT DOCUMENTS

D. 287,229	12/1986	Hallman et al.	D11/5
4,712,766	12/1987	Ehrenhalt	251/90
4,811,765	3/1989	Giha	251/90

Primary Examiner—Louis S. Zarfes

Assistant Examiner—R. T. Seifert

Attorney, Agent, or Firm—Frijouf, Rust & Pyle

[57] CLAIM

The ornamental design for a combined key chain and trigger holder, as shown and described.

DESCRIPTION

FIG. 1 is a perspective view of a combined key chain and trigger holder showing my new design, the broken line showing of a nozzle is for illustration only and forms no part of the claimed design;

FIG. 2 is a top plan view;

FIG. 3 is a side elevational view;

FIG. 4 is a side elevational view, shown in an extended position;

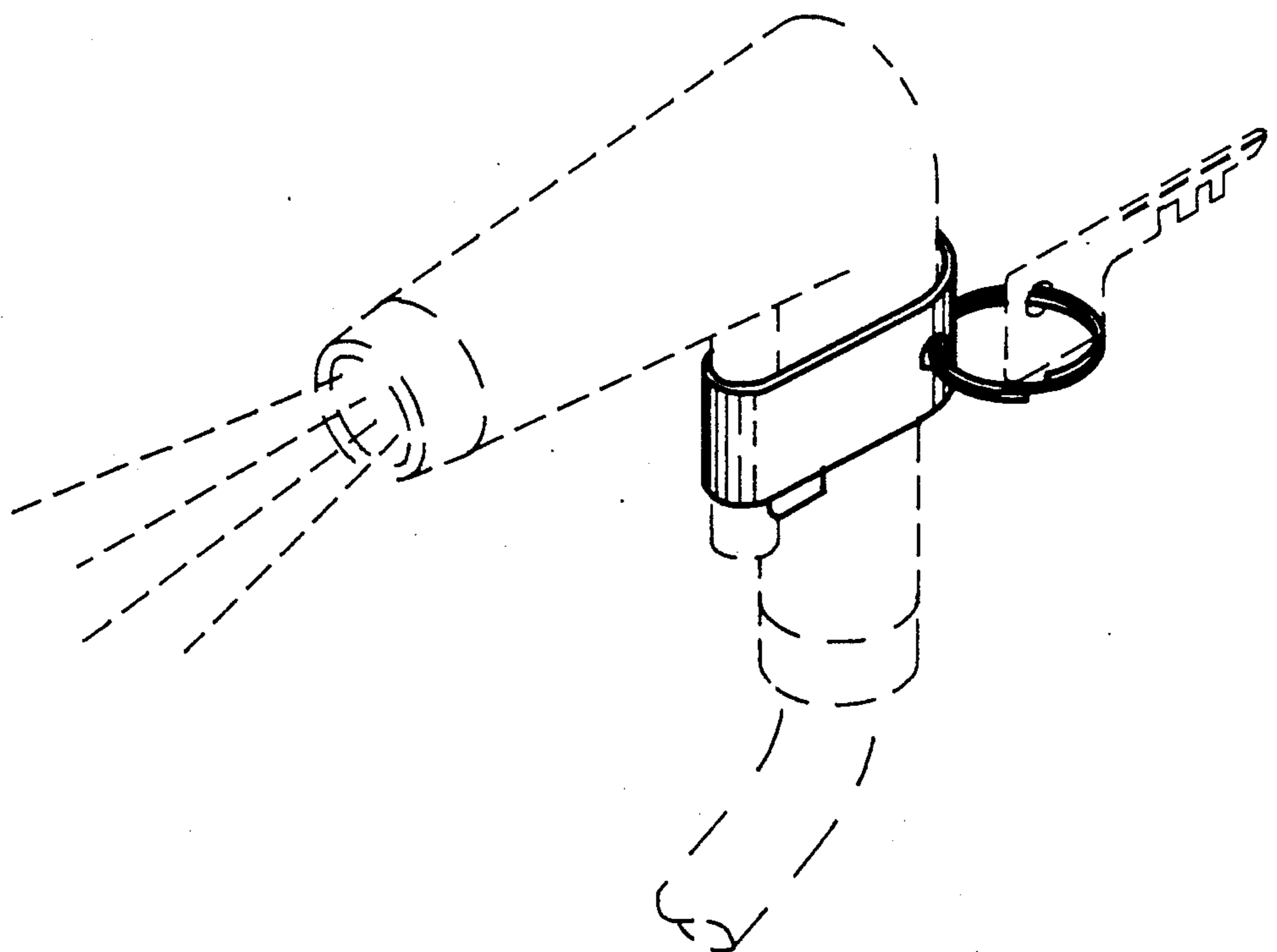
FIG. 5 is a side elevational view, showing the side opposite FIG. 4;

FIG. 6 is a top plan view of FIG. 4;

FIG. 7 is an enlarged partial side elevational view;

FIG. 8 is an enlarged partial side elevational view, showing the side opposite FIG. 7; and

FIG. 9 is an end elevational view.



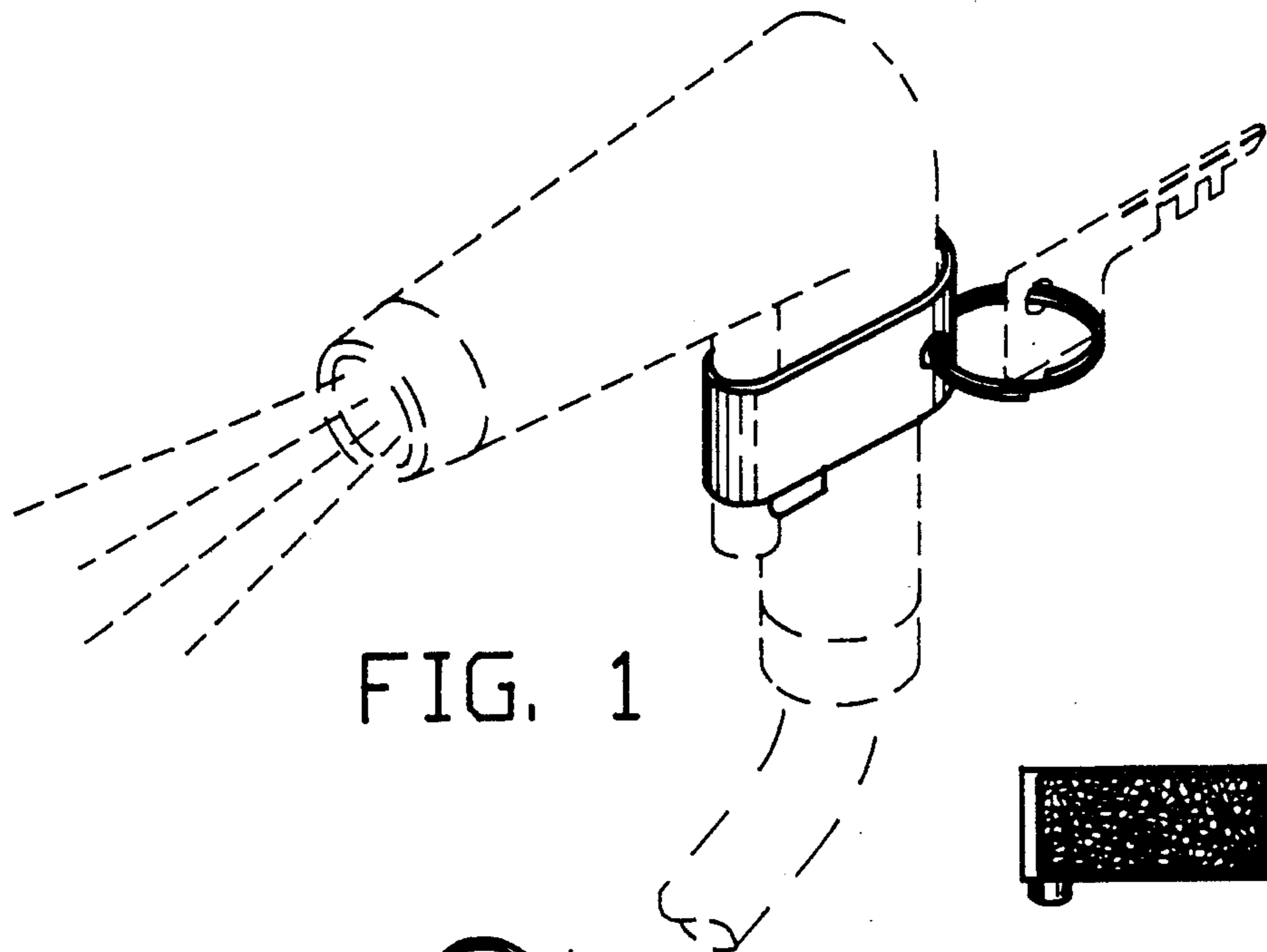


FIG. 1



FIG. 3



FIG. 2

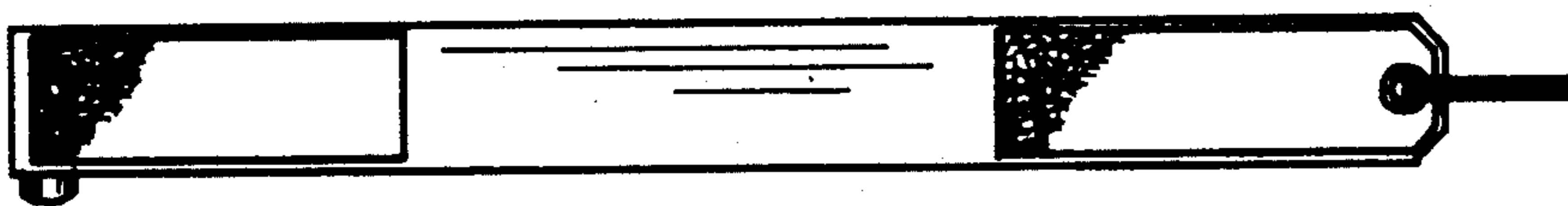


FIG. 4

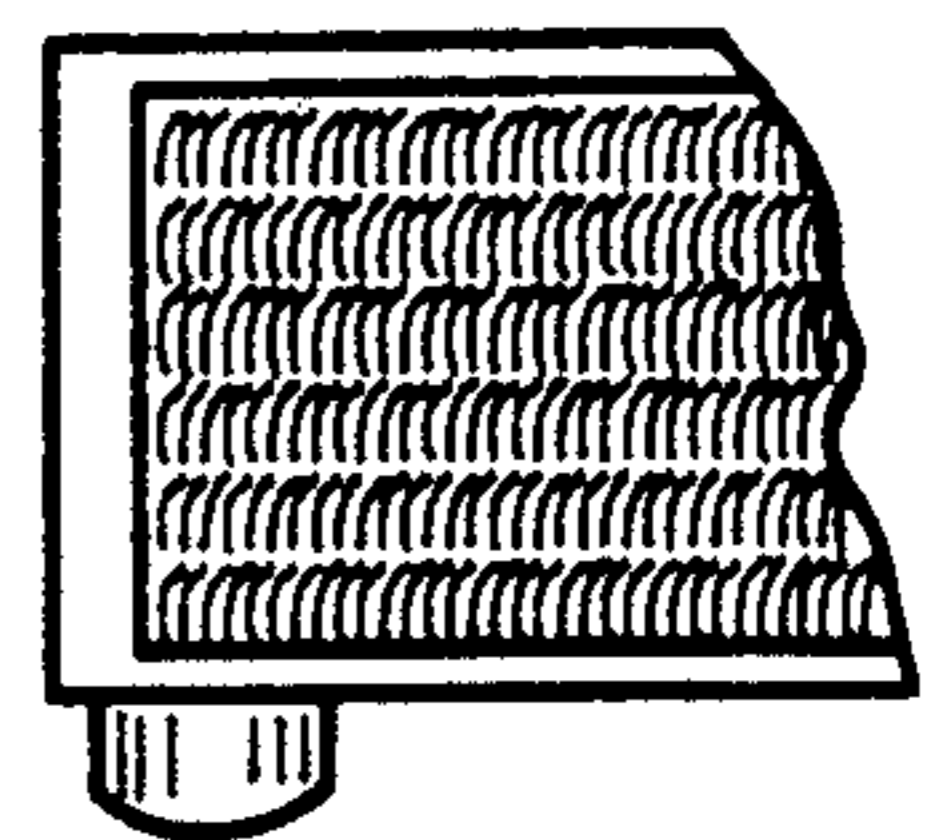


FIG. 7

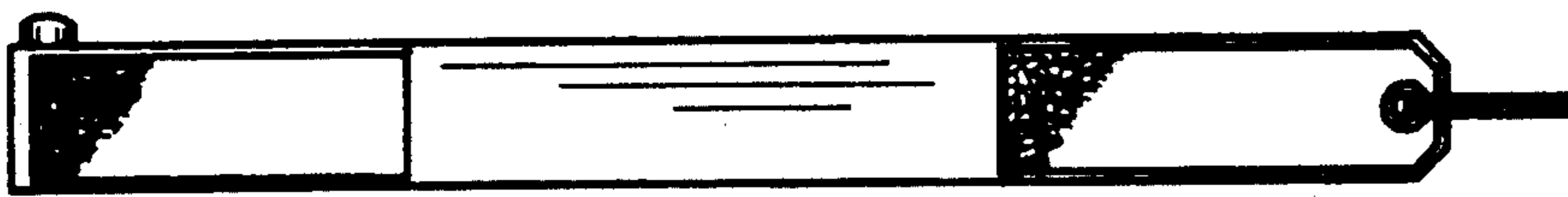


FIG. 5

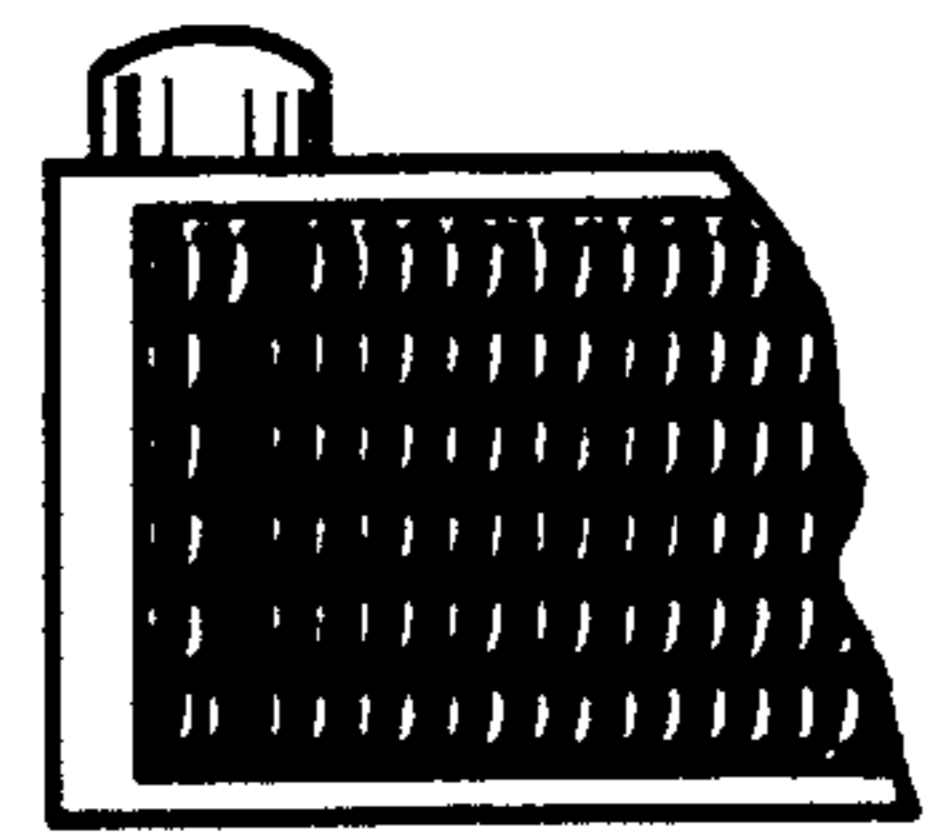


FIG. 8



FIG. 6

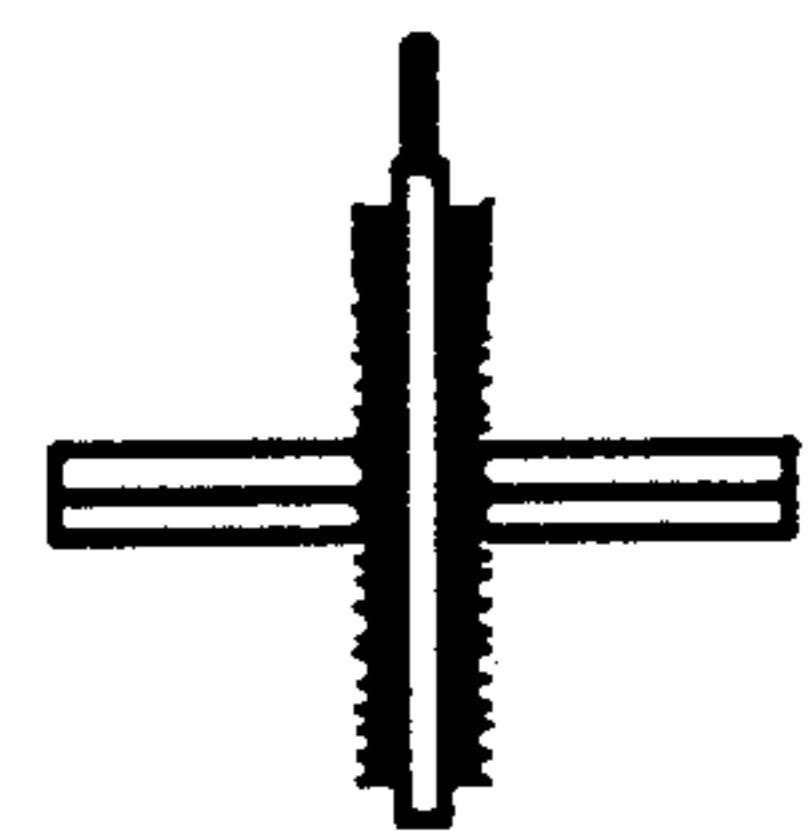


FIG. 9