

[54] AQUARIUM LID

[75] Inventor: Kazutoshi Tominaga, Higashiosakashi, Japan

[73] Assignee: Kabushiki Kaisha Tominaga, Jyushi Kogyosho, Osaka, Japan

[**] Term: 14 Years

[21] Appl. No.: 346,154

[22] Filed: May 2, 1989

[52] U.S. Cl. D30/107

[58] Field of Search D30/101-107, D30/119; 119/5, 15

[56] References Cited

U.S. PATENT DOCUMENTS

- D. 192,202 2/1962 Willinger D30/107
- 3,515,097 6/1970 Sherman 119/5
- 3,841,267 10/1974 Miller D30/101
- 3,913,526 10/1975 Hall 119/5

FOREIGN PATENT DOCUMENTS

- 1133175 7/1962 Fed. Rep. of Germany 119/5

Primary Examiner—James R. Largen
Assistant Examiner—Cathy Anne MacCormac
Attorney, Agent, or Firm—Collard, Roe & Galgano

[57] CLAIM

The ornamental design for an aquarium lid, as shown and described.

DESCRIPTION

FIG. 1 is a perspective view of an aquarium lid showing my new design;
 FIG. 2 is a top plan view thereof;
 FIG. 3 is a front elevational view thereof;
 FIG. 4 is a rear elevational view thereof;
 FIG. 5 is a bottom plan view thereof;
 FIG. 6 is a right side elevational view thereof, the left side being a mirror image of the right side shown;
 FIG. 7 is a sectional view taken along line 7—7 of FIG. 2;
 FIG. 8 is a sectional view taken along line 8—8 of FIG. 2; and
 FIG. 9 is another perspective view thereof.
 The broken lines in FIG. 9 are for illustrative purposes only and form no part of the claimed design.

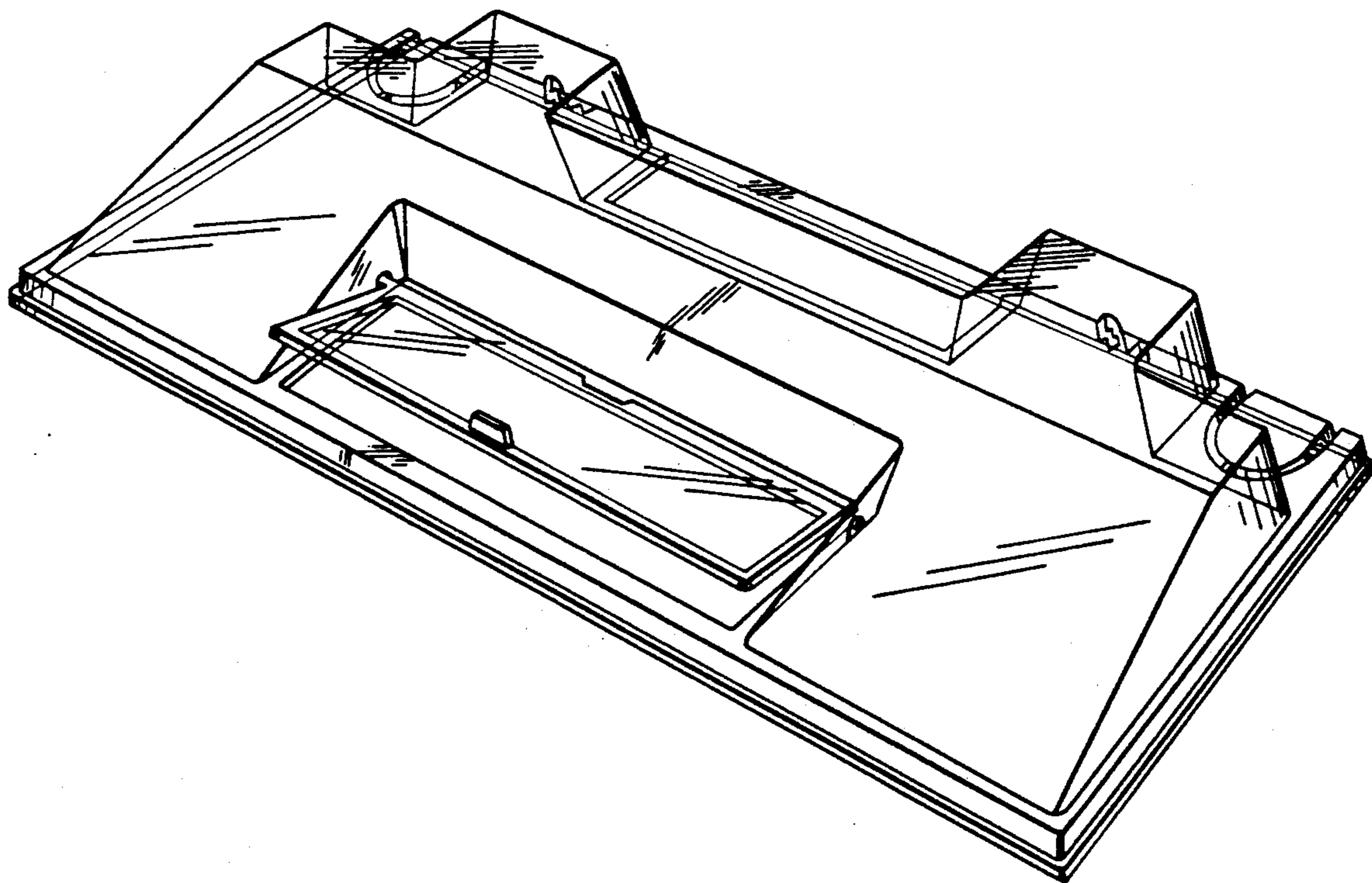


FIG. 1

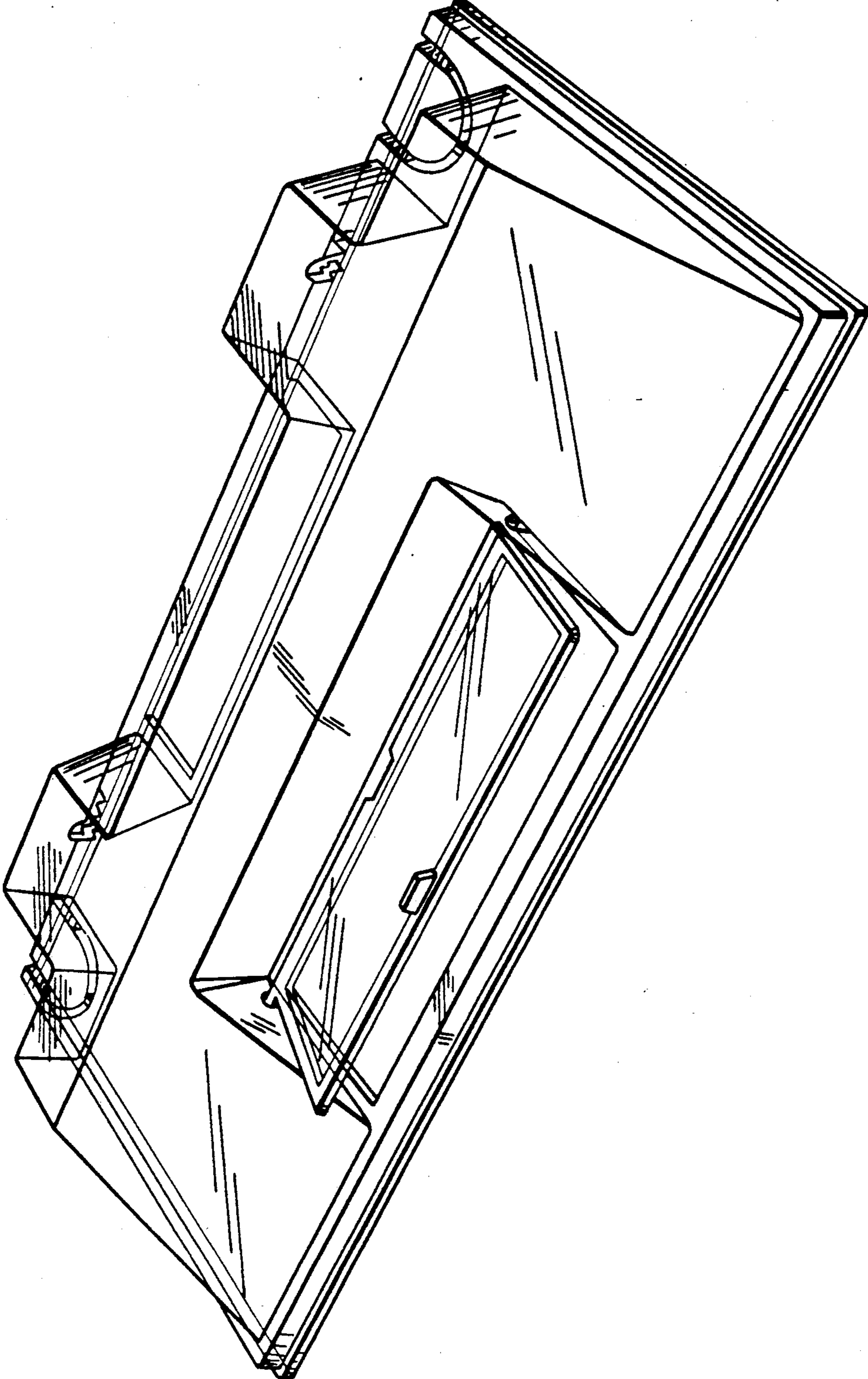


FIG. 2

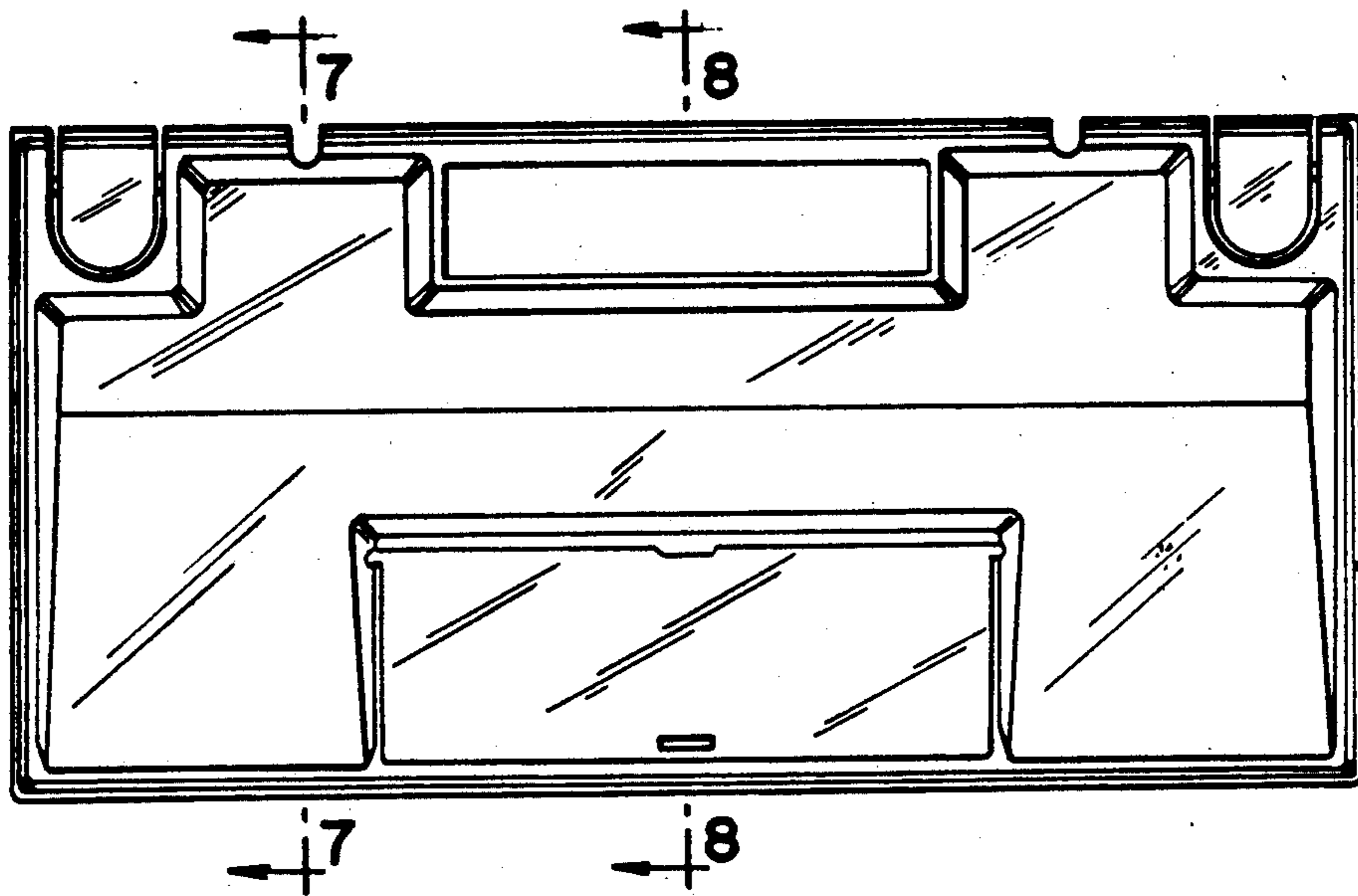


FIG. 3

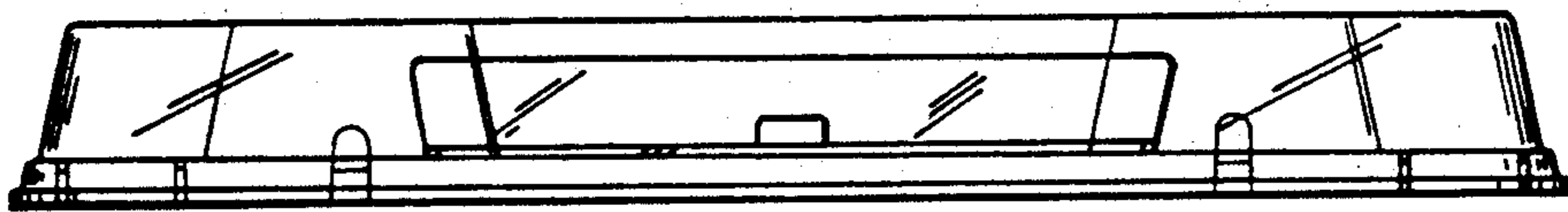


FIG. 4

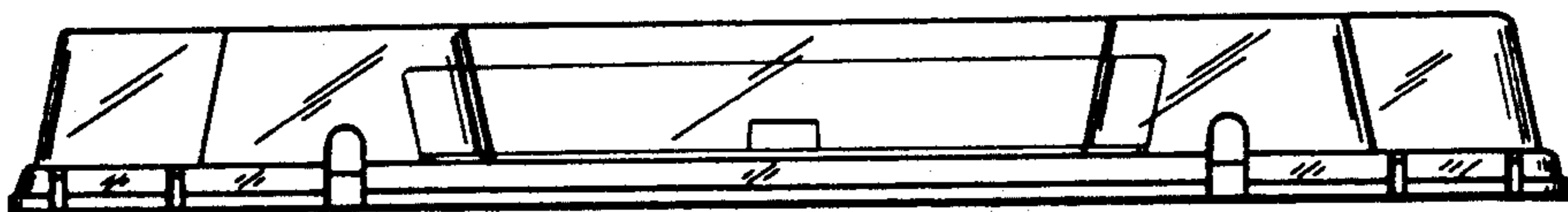


FIG. 5

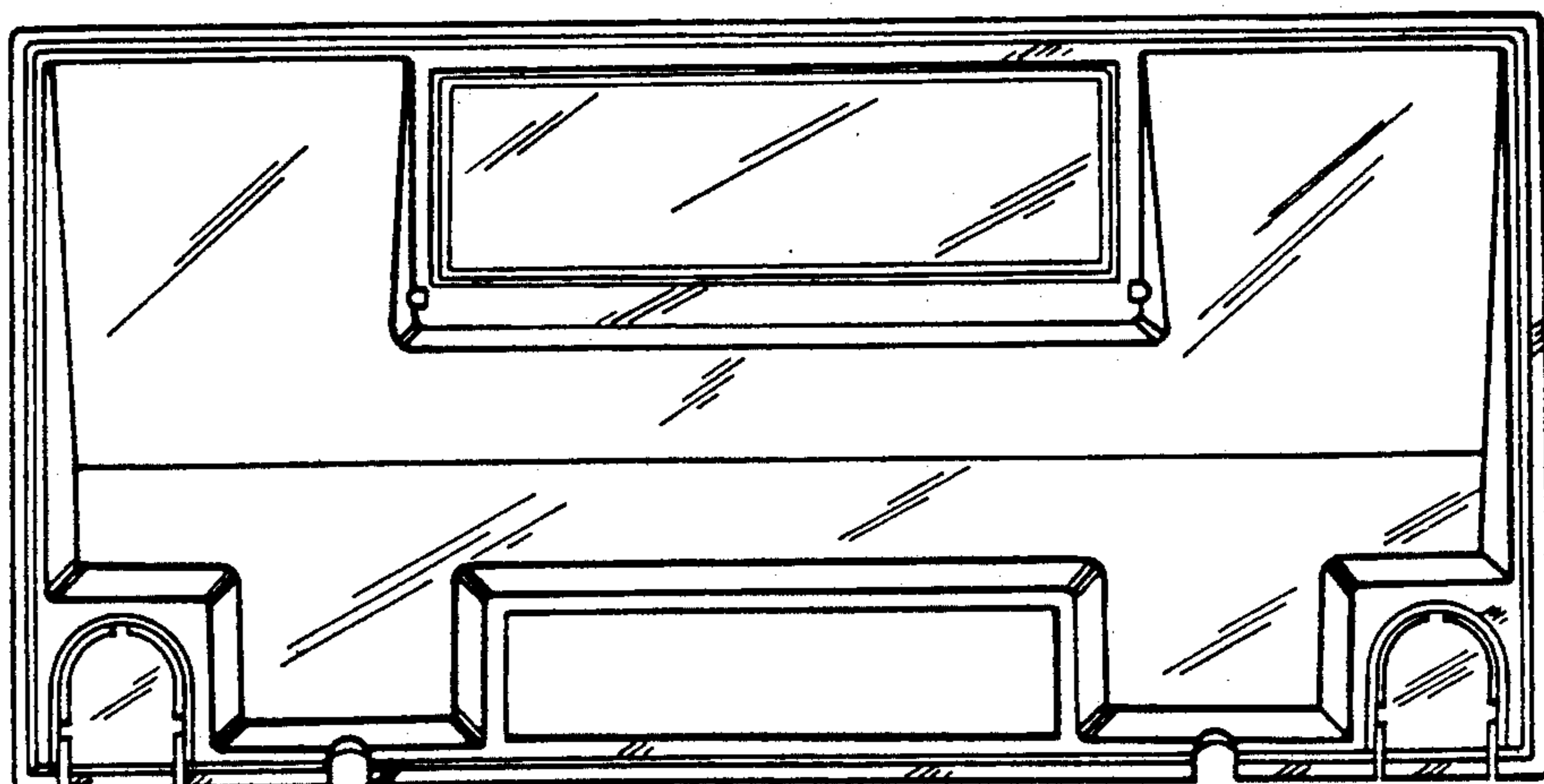


FIG. 6

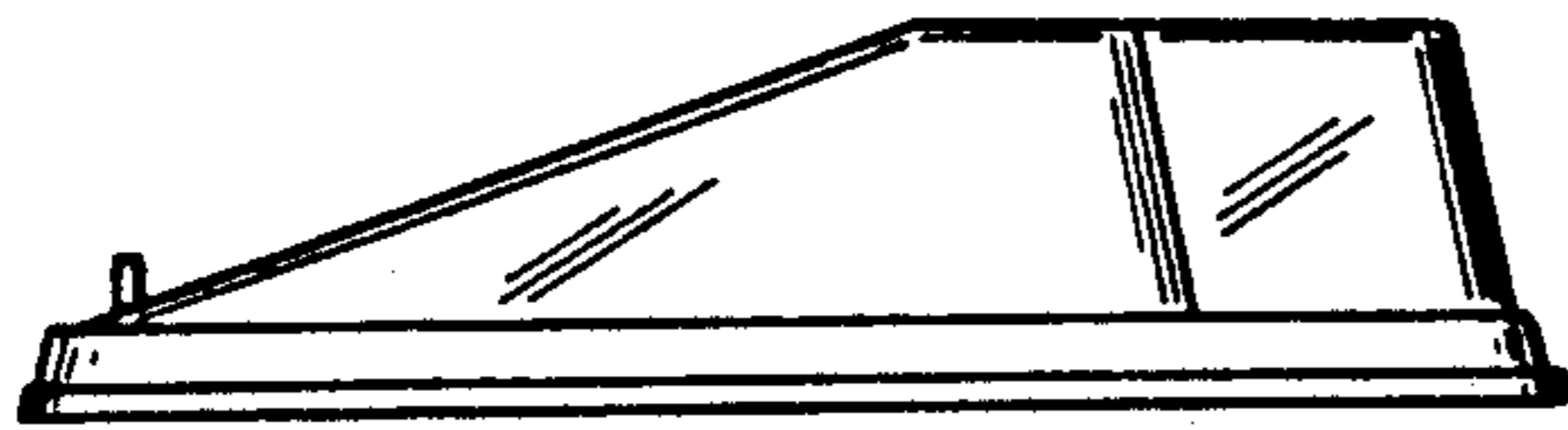


FIG. 7

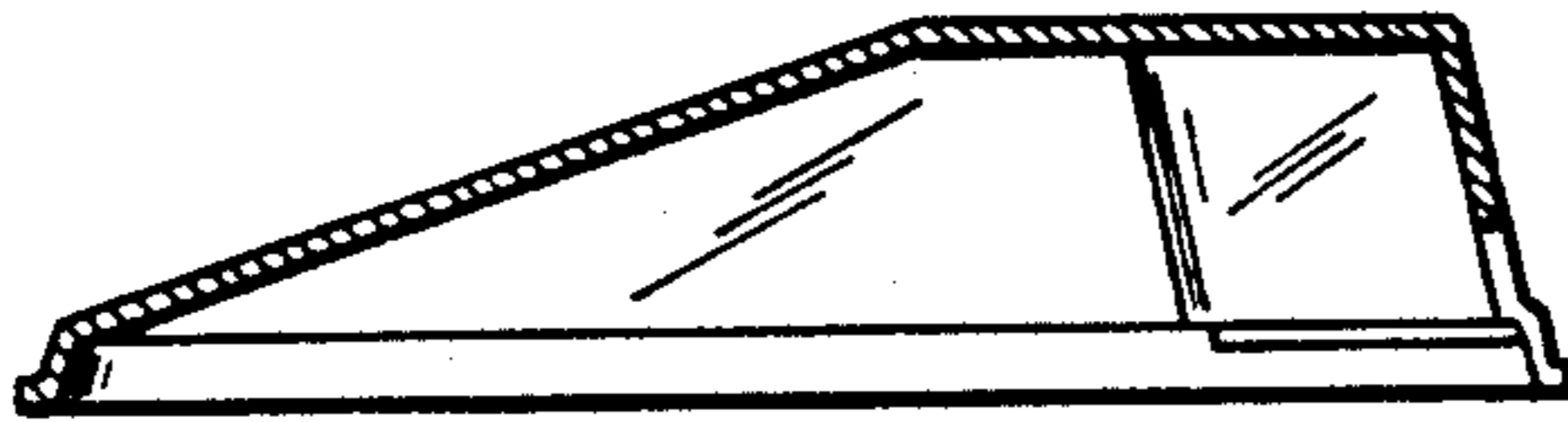


FIG. 8

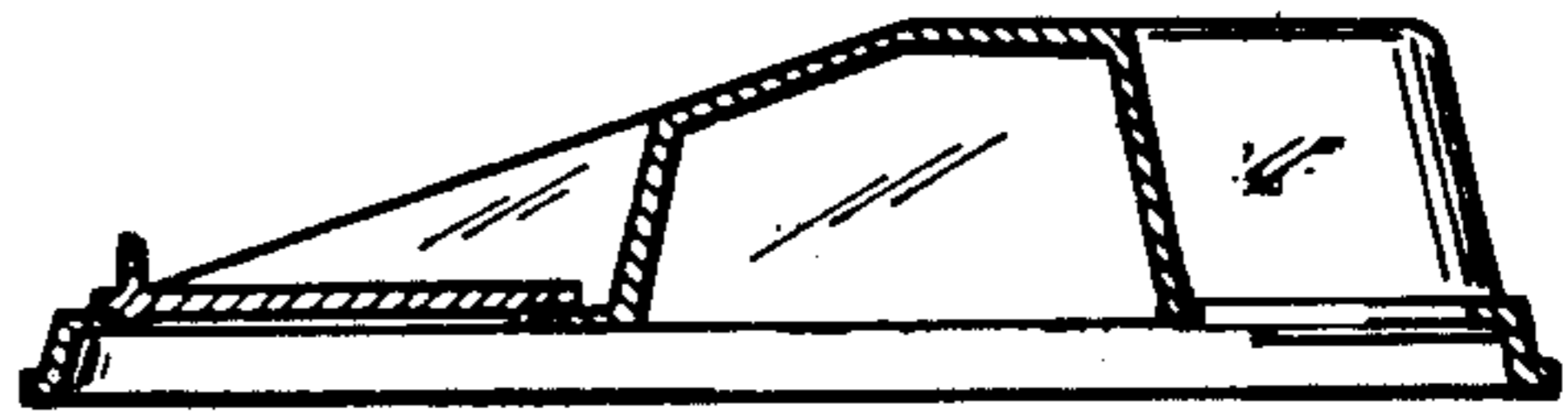


FIG. 9

