

[54] **HANDLE FOR CURLING IRON**

[75] **Inventor:** Chi M. Chui, North Point, Hong Kong

[73] **Assignee:** Well Treasure Ind. Ltd., Kwun Tong, Hong Kong

[**] **Term:** 14 Years

[21] **Appl. No.:** 323,992

[22] **Filed:** Mar. 15, 1989

[30] **Foreign Application Priority Data**

Sep. 15, 1988 [GB] United Kingdom 1053560

[52] **U.S. Cl.** **D28/35**

[58] **Field of Search** D28/35, 38; 132/117, 132/118, 212, 229-232, 269, 271-272; 219/222-225

[56] **References Cited**

U.S. PATENT DOCUMENTS

4,354,092 10/1982 Manabe et al. 219/225

4,567,905 2/1986 Stewart et al. 132/212

4,857,702 8/1989 Cafaro 219/225

OTHER PUBLICATIONS

Best: 1986-7 Cat., p. 211, bottom #26.
 Hong Kong Enterprise 11/86, p. 337: #HB-88 on bottom left.
 Hong Kong Enterprise 11/87, p. 213: top right; middle curling brush.

Primary Examiner—Bernard Ansher
Assistant Examiner—C. Tuttle
Attorney, Agent, or Firm—Burns, Doane, Swecker & Mathis

[57] **CLAIM**

The ornamental design for a handle for curling iron, as shown and described.

DESCRIPTION

FIG. 1 is a front elevational view of a handle for a curling iron showing my new design;
 FIG. 2 is a rear elevational view thereof;
 FIG. 3 is a left side elevational view thereof;
 FIG. 4 is a right side elevational view thereof;
 FIG. 5 is a top plan view thereof;
 FIG. 6 is a bottom plan view thereof; and
 FIG. 7 is a perspective view thereof.

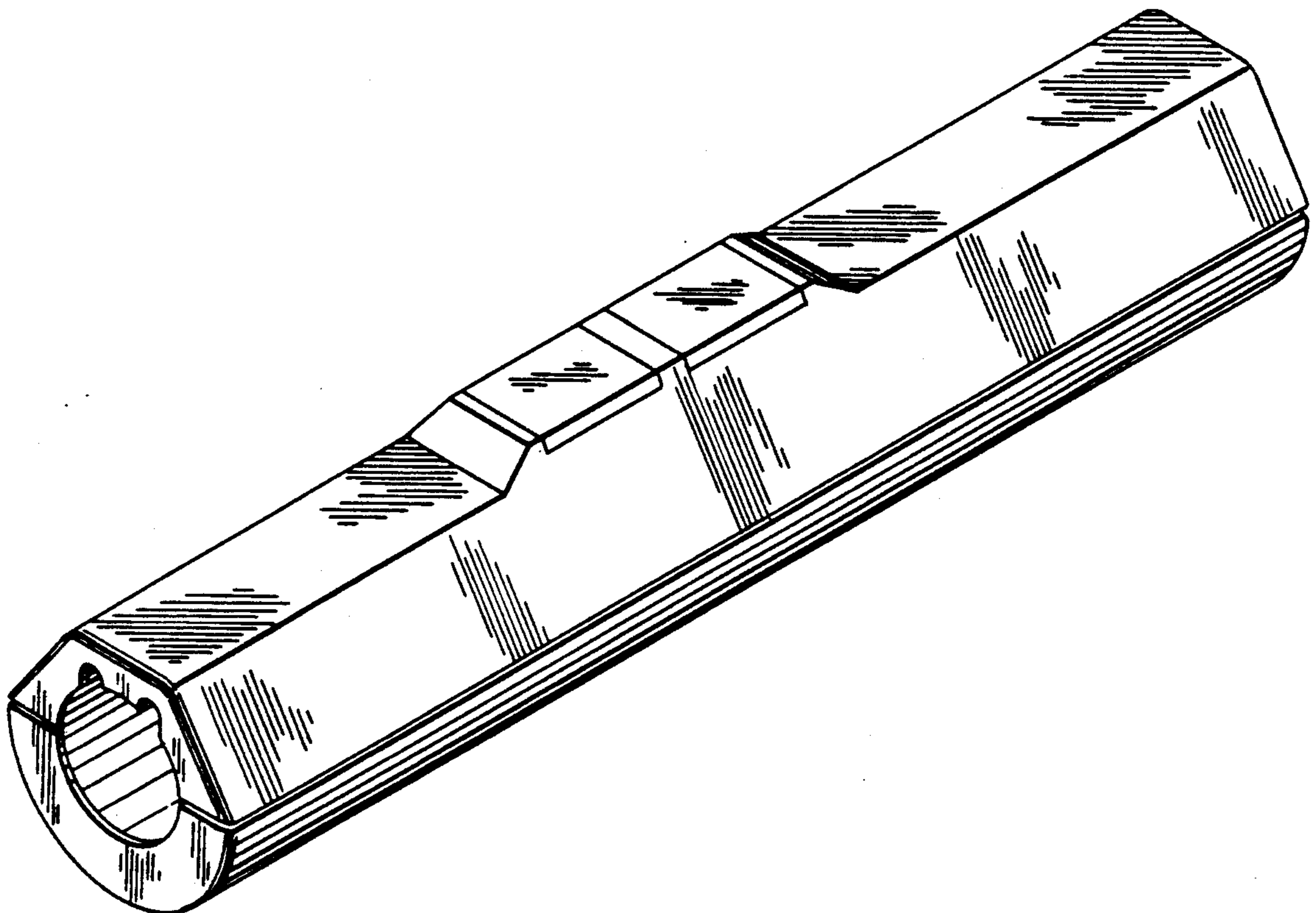


Fig. 1

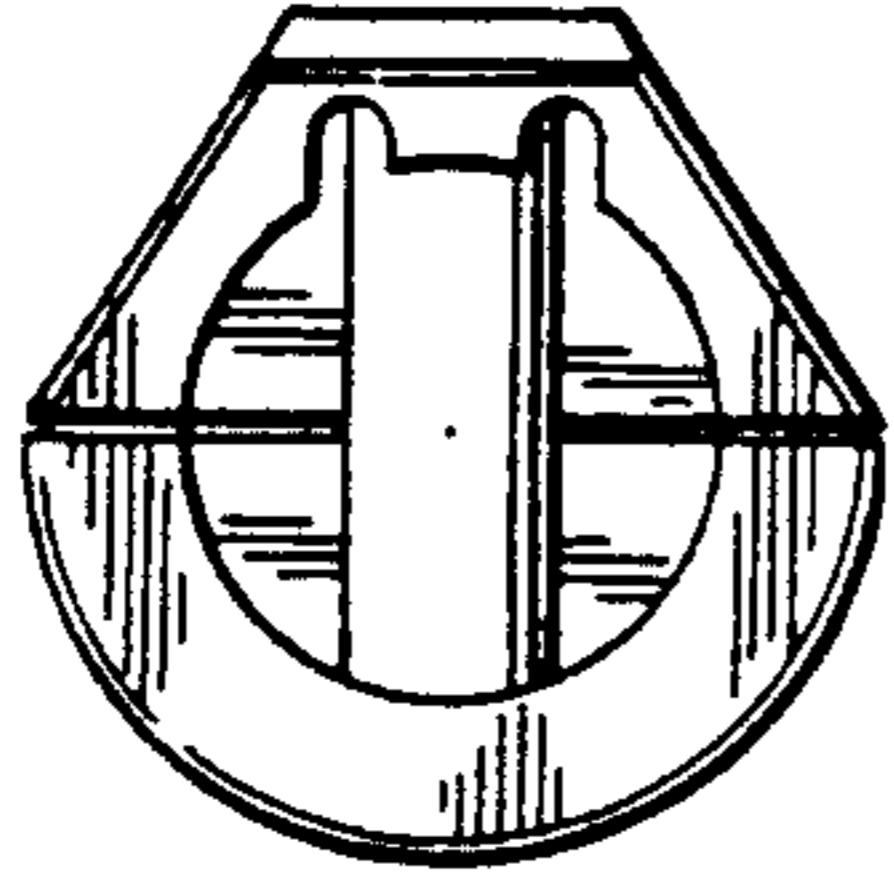


Fig. 2

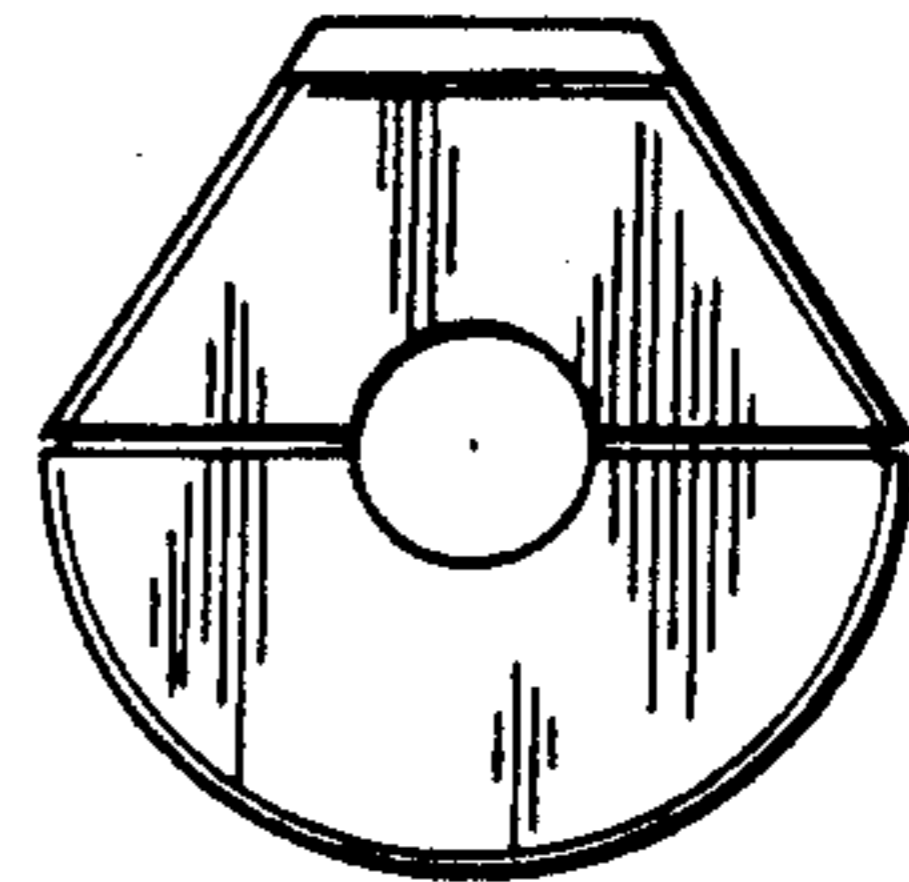


Fig. 3

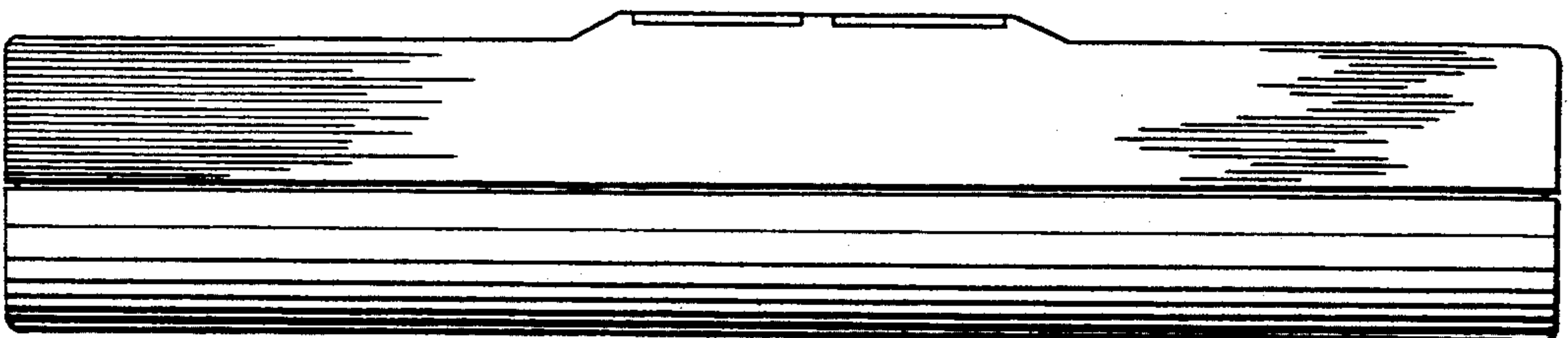
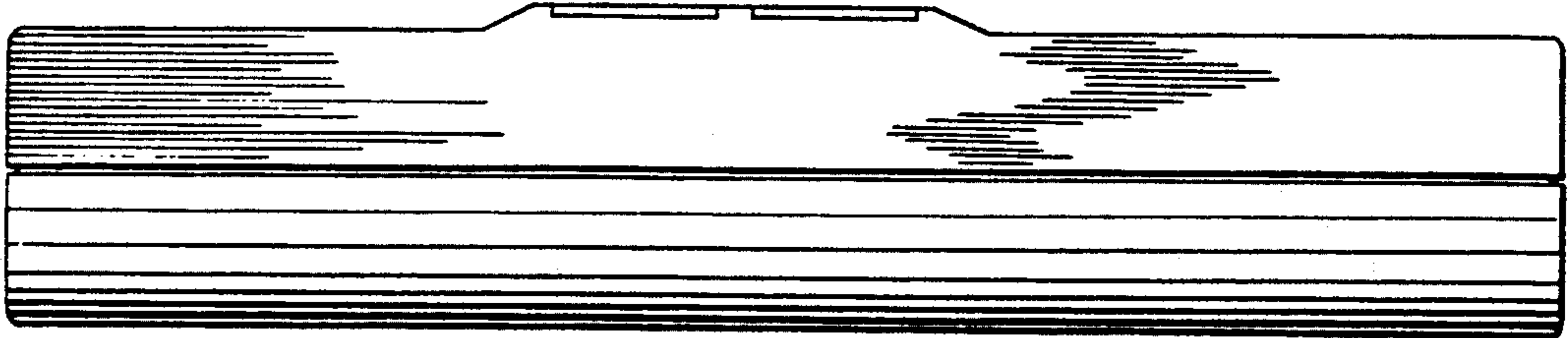


Fig. 4

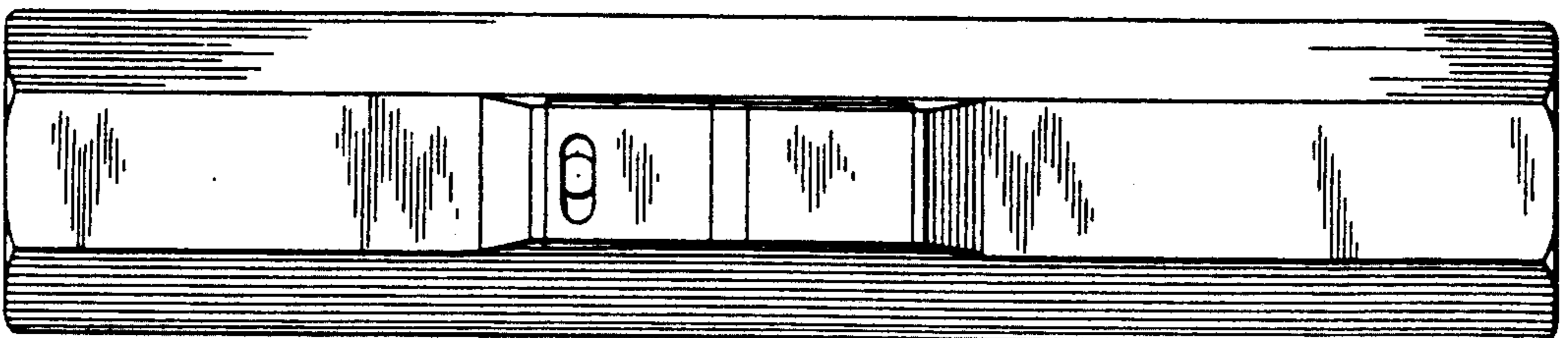


Fig. 5

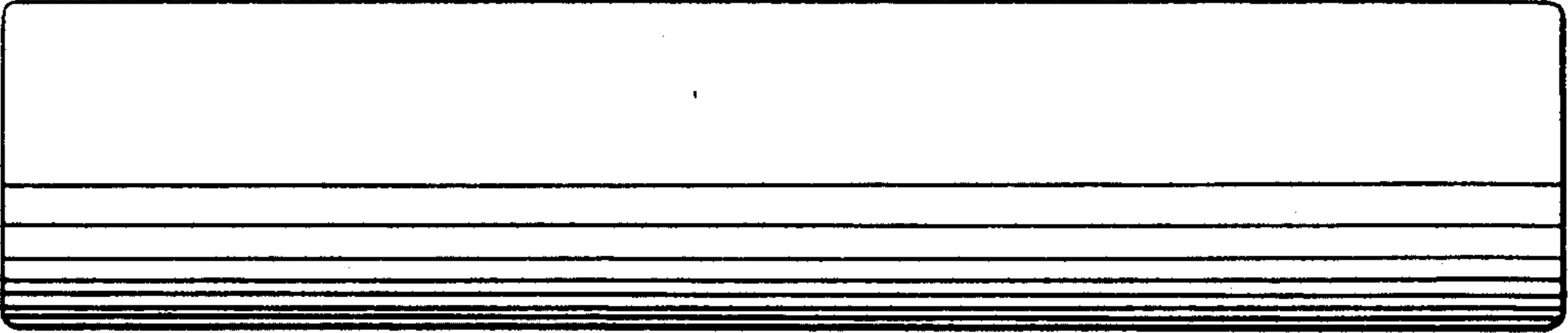


FIG. 6

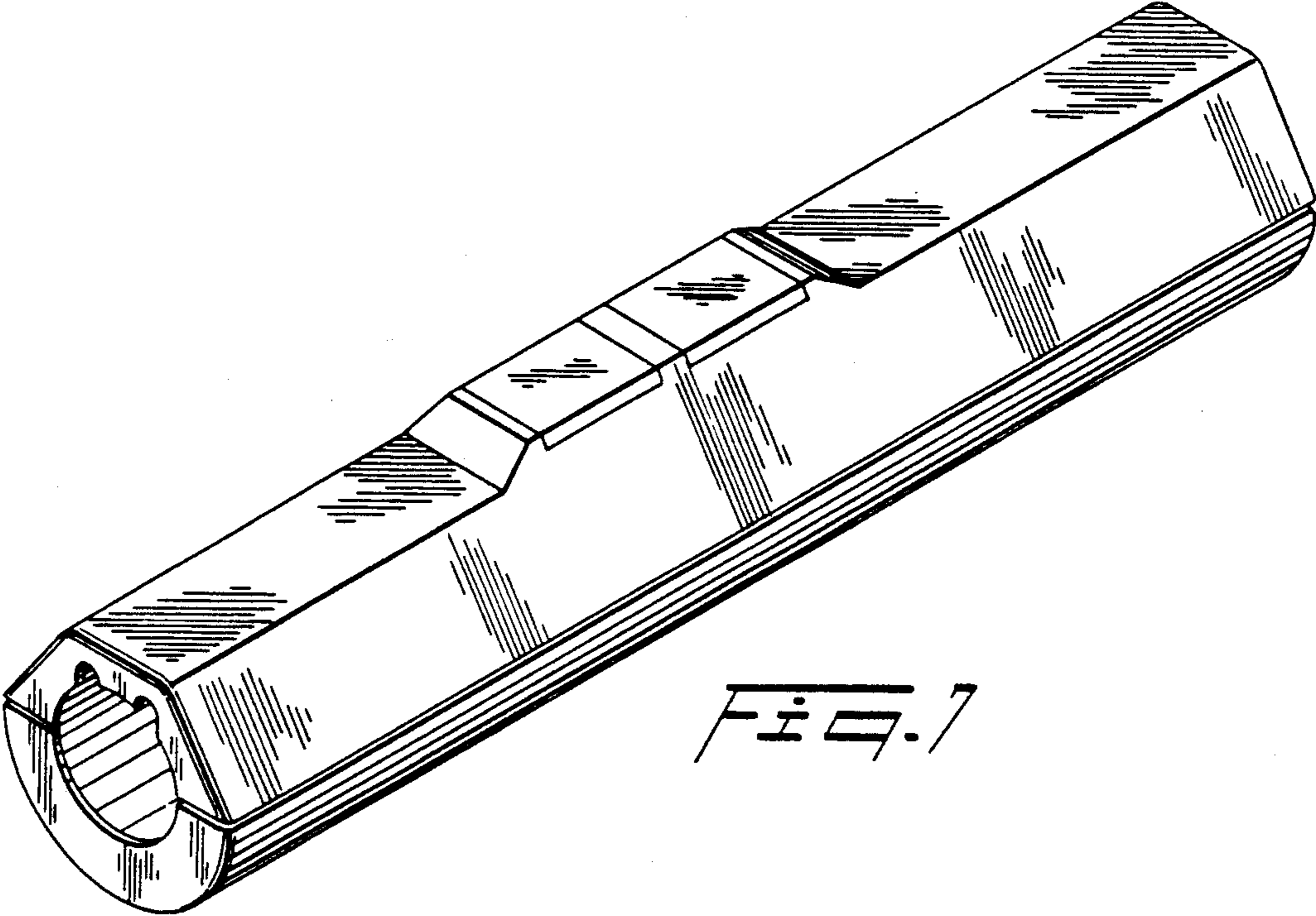


FIG. 7