

United States Patent [19]

Gabridge

[11] Patent Number: **Des. 317,360**

[45] Date of Patent: **** Jun. 4, 1991**

[54] **DISPOSABLE MULTIWELL TESTER**

[75] Inventor: **Michael G. Gabridge, Saranac Lake, N.Y. 12983**

[73] Assignee: **BioNorth, Inc., Saranac Lake, N.Y.**

[**] Term: **14 Years**

[21] Appl. No.: **18,069**

[22] Filed: **Feb. 24, 1987**

[52] U.S. Cl. **D24/226; D10/81**

[58] Field of Search **D10/81; D24/8, 17, 21; 422/79, 101, 104; 435/284, 285, 286, 287**

[56] **References Cited**

U.S. PATENT DOCUMENTS

D. 299,859 2/1989 Fan et al. D24/17
D. 299,860 2/1989 Fan et al. D24/17
4,178,345 12/1979 Terk 435/287 X
4,195,060 3/1980 Terk 435/287 X

4,435,508 3/1984 Gabridge 435/284
4,567,149 1/1986 Sell et al. 435/287 X
4,636,472 1/1987 Bruso 435/287
4,859,603 8/1989 Dole et al. 435/287

Primary Examiner—Nelson C. Holtje
Assistant Examiner—Antoine D. Davis
Attorney, Agent, or Firm—Elman & Wilf

[57] **CLAIM**

The ornamental design for a disposable multiwell tester, as shown and described.

DESCRIPTION

FIG. 1 is a top, front, and left side perspective view of a disposable multiwell tester showing my new design; FIG. 2 is a left side elevational view; FIG. 3 is a right side elevational view; FIG. 4 is a top plan view; FIG. 5 is a front elevational view, the rear being a mirror image; and FIG. 6 is a bottom plan-view thereof.

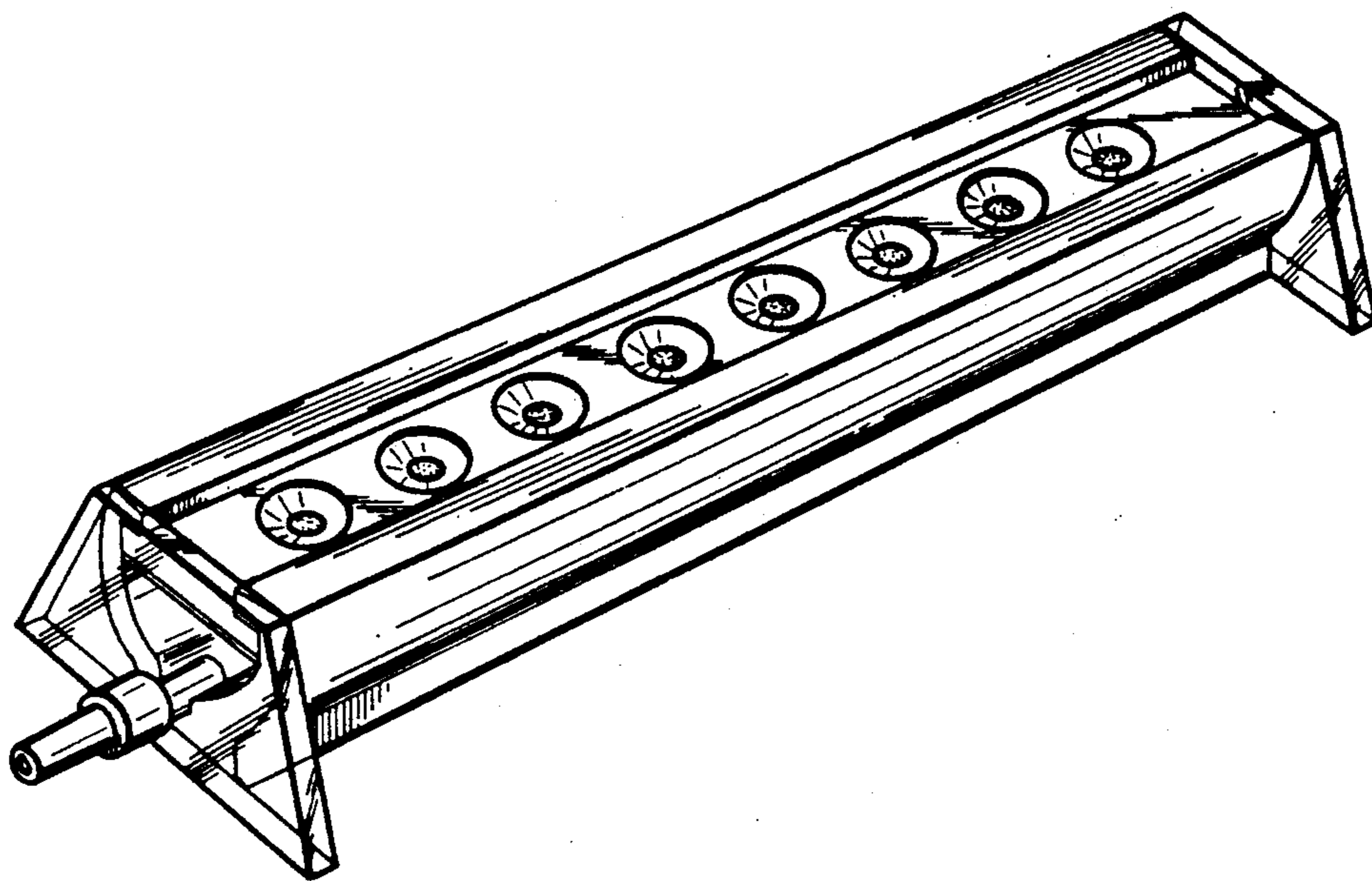


FIG-1

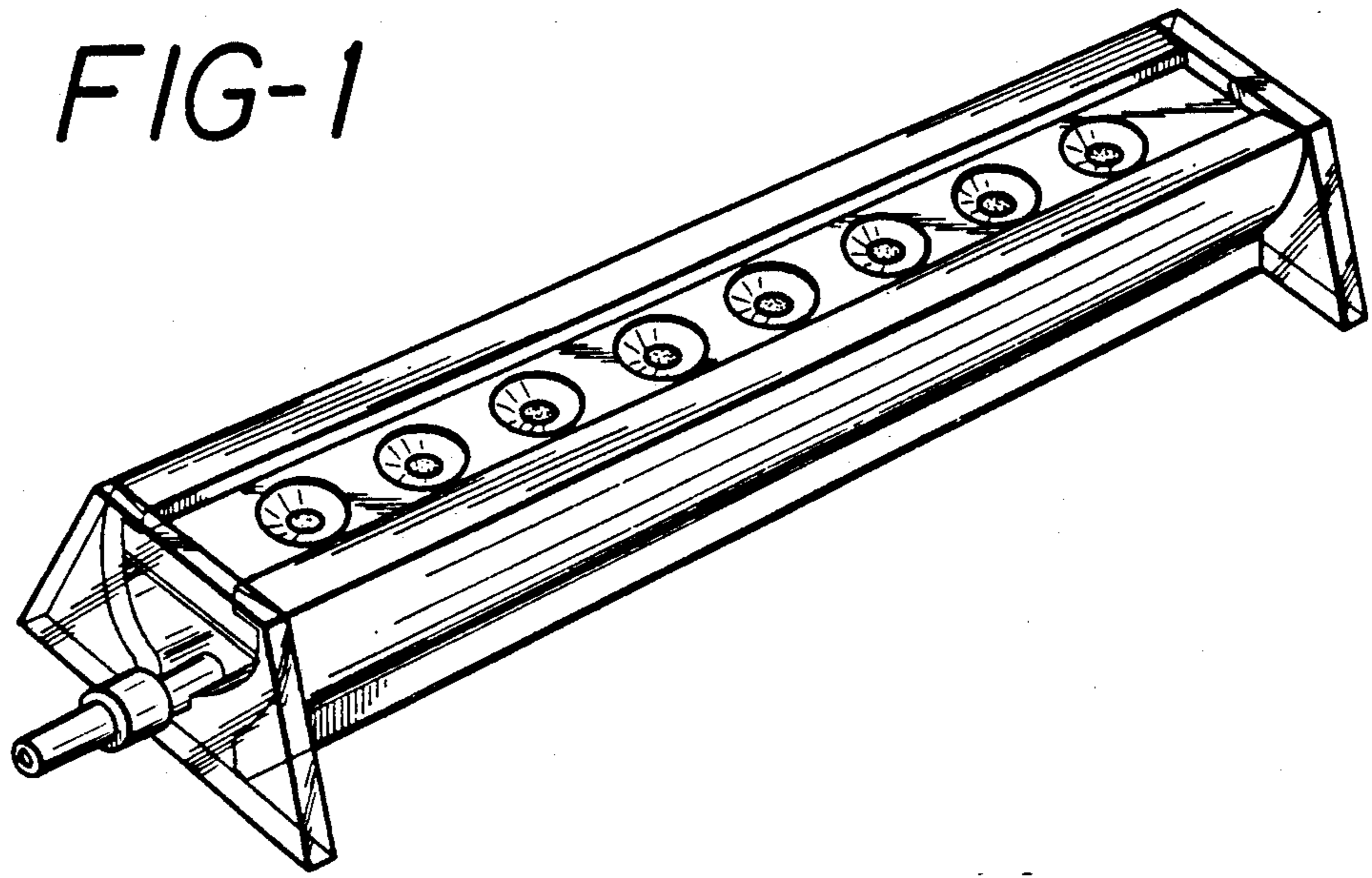


FIG-2

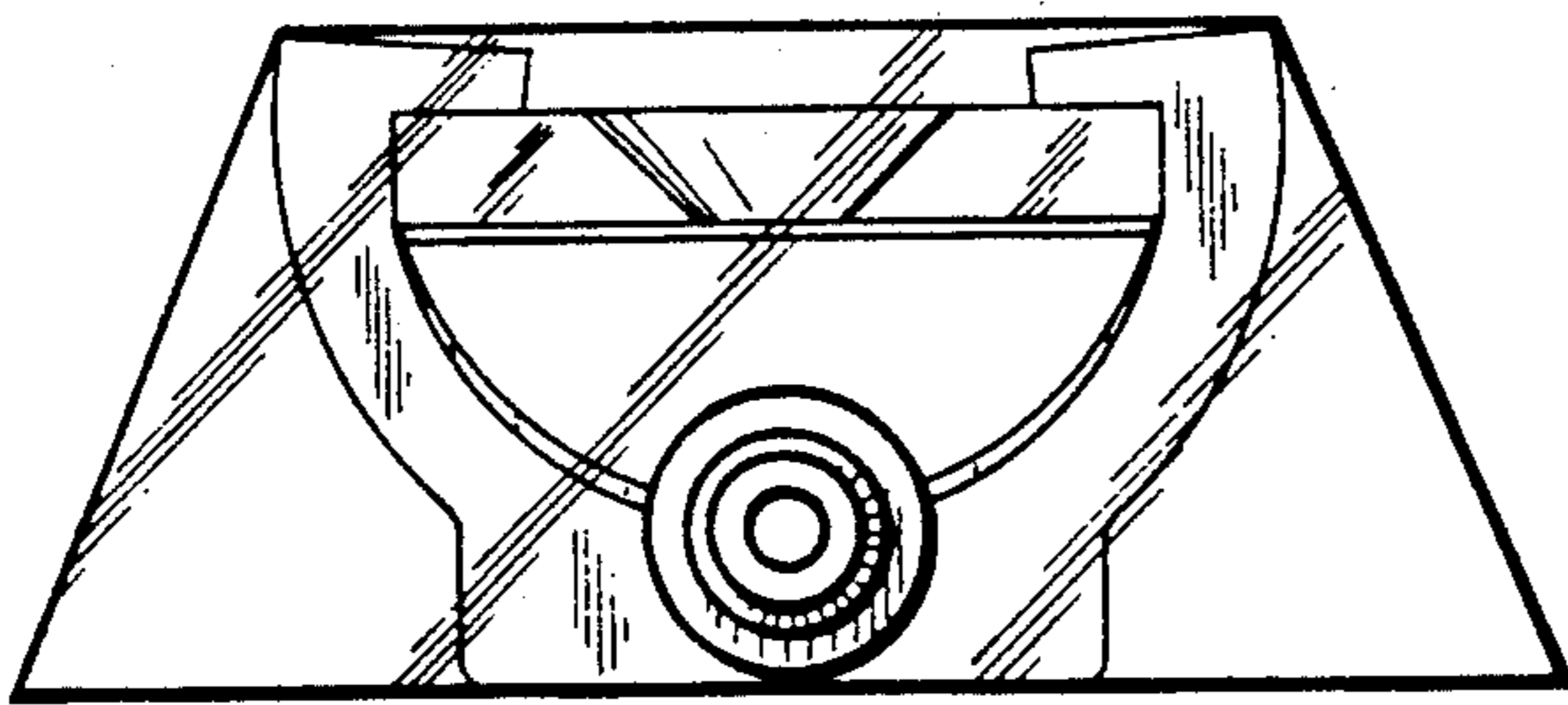


FIG-3

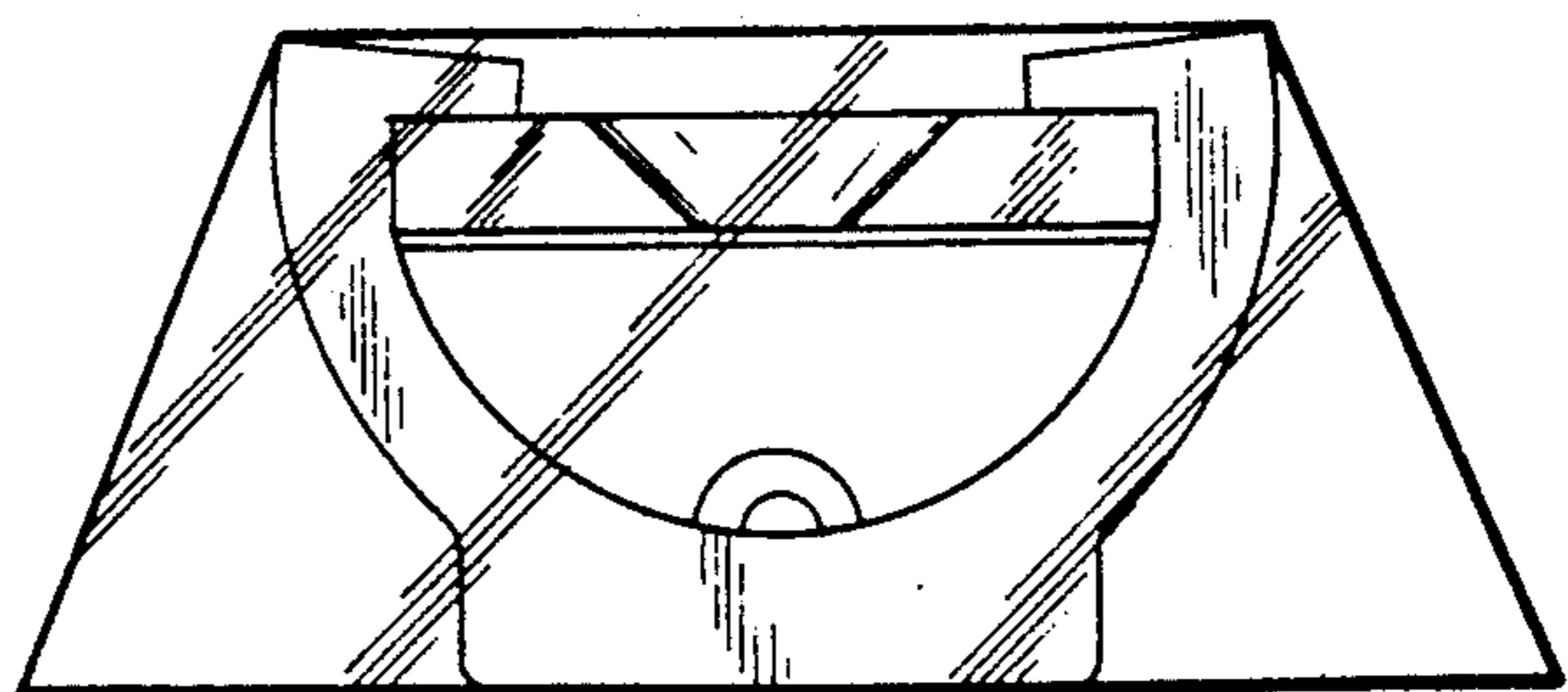


FIG-4

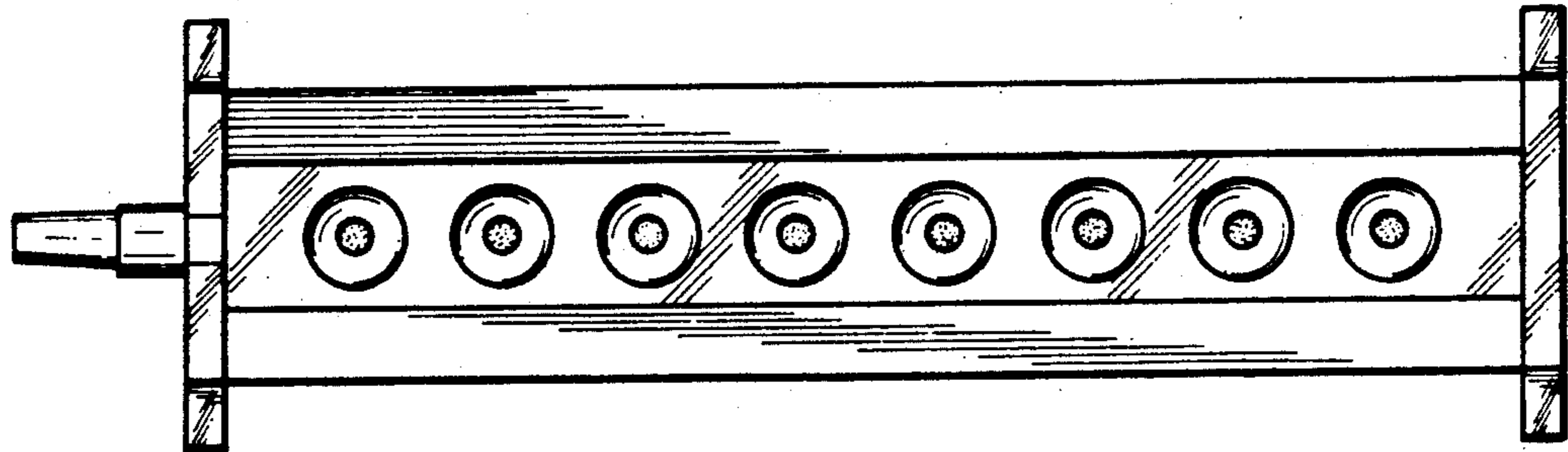


FIG-5

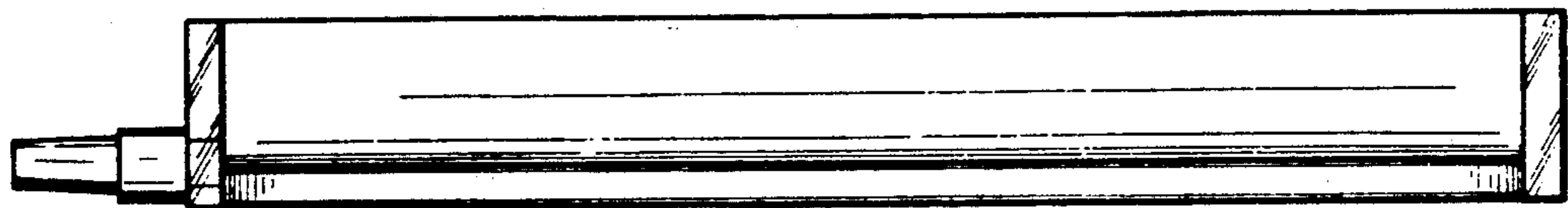


FIG-6

