

[54] UTILITY SINK

[76] Inventor: William L. Ferris, 1758 E. Main St., Kent, Ohio 44240

[\*\*] Term: 14 Years

[21] Appl. No.: 108,980

[22] Filed: Oct. 16, 1987

[52] U.S. Cl. .... D23/284

[58] Field of Search ..... D23/284-294; 4/619, 638, 654, 658

[56] References Cited

U.S. PATENT DOCUMENTS

|            |         |            |       |         |
|------------|---------|------------|-------|---------|
| D. 225,403 | 12/1972 | Brendgord  | ..... | D23/284 |
| D. 244,030 | 4/1977  | Tougish    | ..... | D23/284 |
| D. 255,923 | 7/1980  | Rosenkranz | ..... | D23/284 |
| D. 255,924 | 7/1980  | Rosenkranz | ..... | D23/284 |

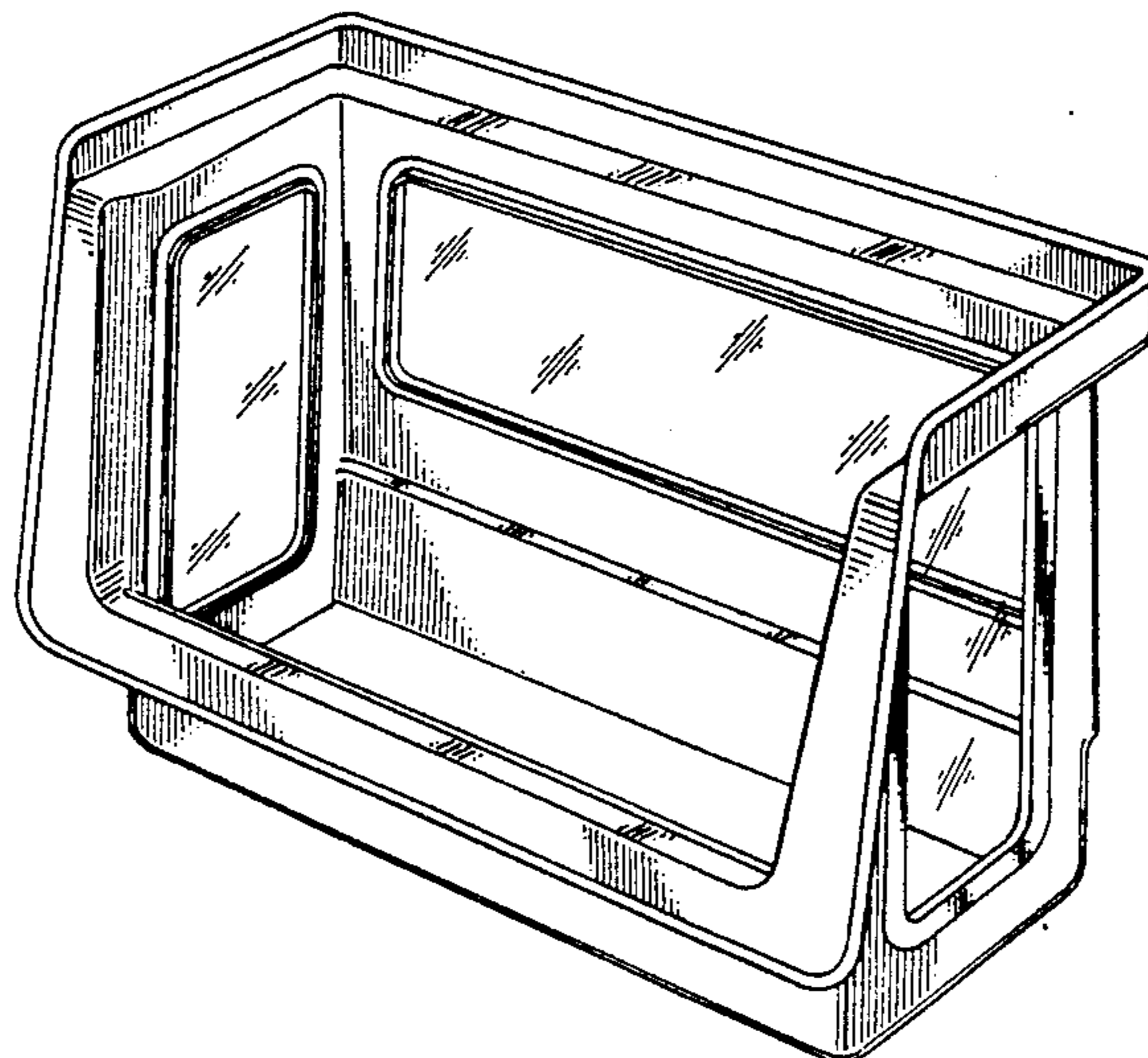
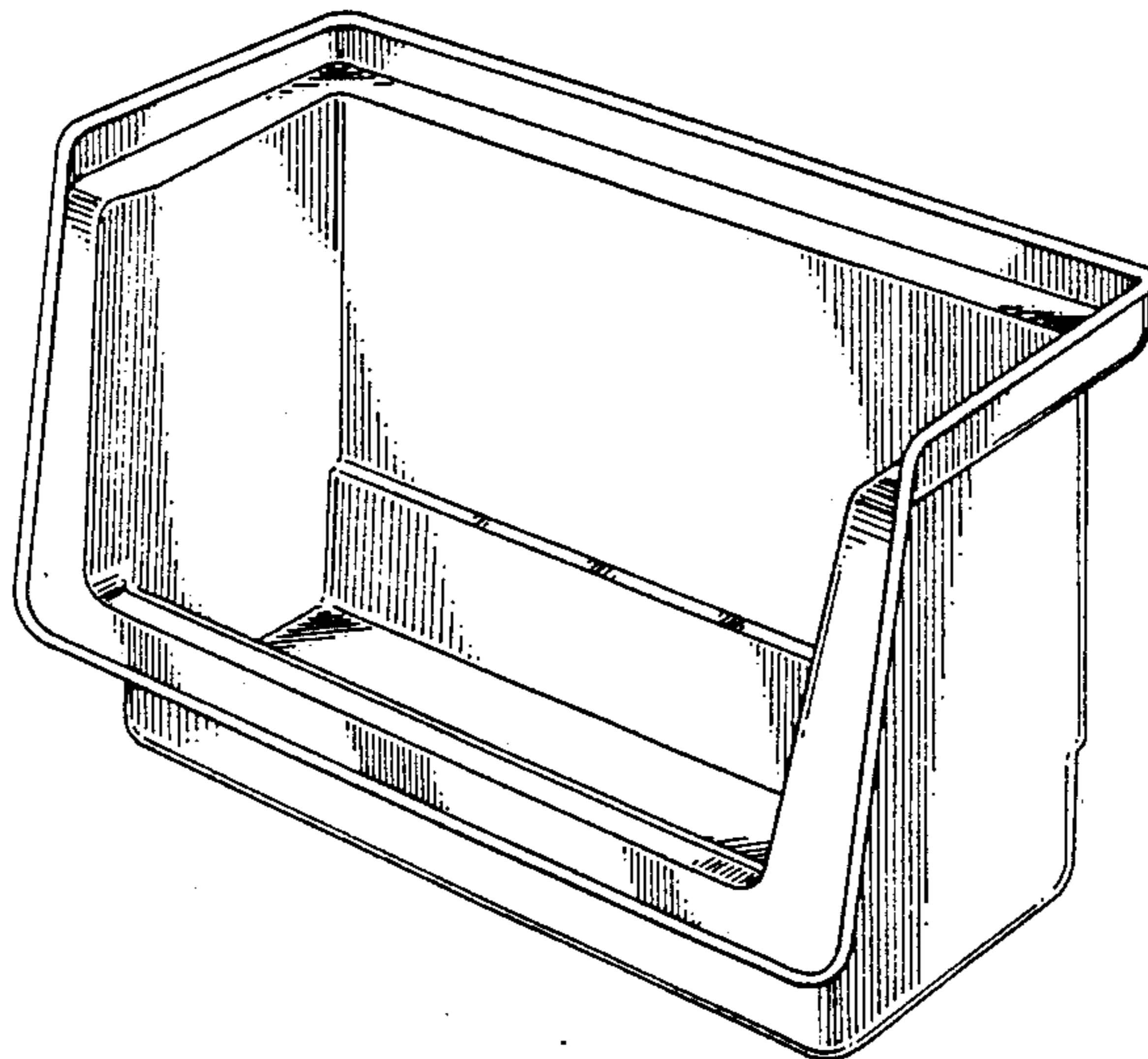
Primary Examiner—James R. Largen  
Attorney, Agent, or Firm—Renner, Kenner, Greive, Bobak, Taylor & Weber

[57] CLAIM

The ornamental design for a utility sink, as shown and described.

DESCRIPTION

FIG. 1 is a perspective view taken from the top, front and right side of a utility sink showing my new design; FIG. 2 is a front elevational view thereof; FIG. 3 is a rear elevational view thereof; FIG. 4 is a top plan view thereof; FIG. 5 is a bottom plan view thereof; FIG. 6 is a left-side elevational view thereof; FIG. 7 is a cross sectional view taken on line 7—7 in FIG. 2; FIG. 8 is a perspective view taken from the top, front and right side of a second embodiment thereof; FIG. 9 is a front elevational view of FIG. 8; FIG. 10 is a rear elevational view of FIG. 8; FIG. 11 is a top plan view of FIG. 8; FIG. 12 is a bottom plan view of FIG. 8; FIG. 13 is a left-side elevational view of FIG. 8; FIG. 14 is a cross-sectional view taken on line 14—14 in FIG. 9.



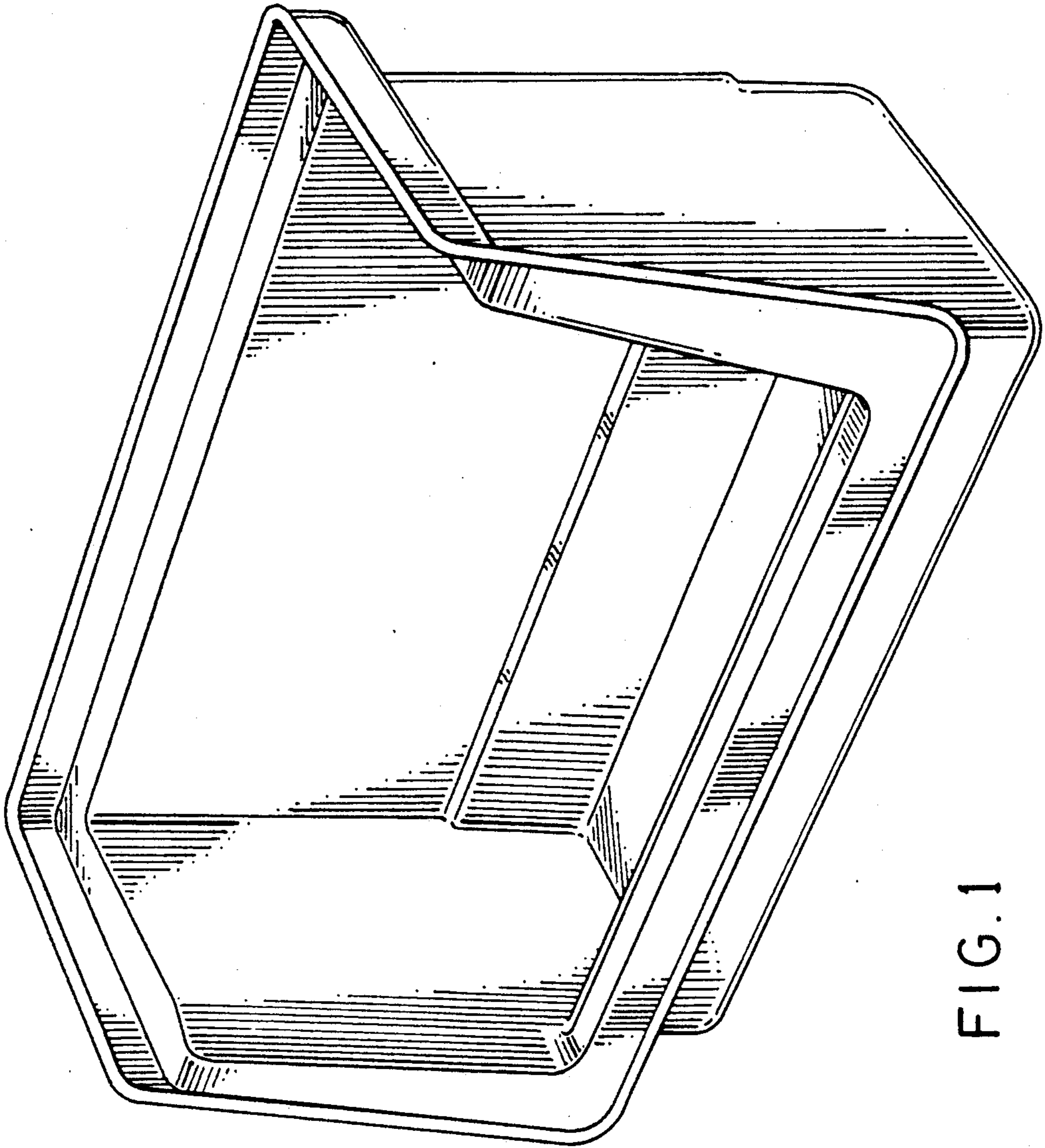


FIG. 1

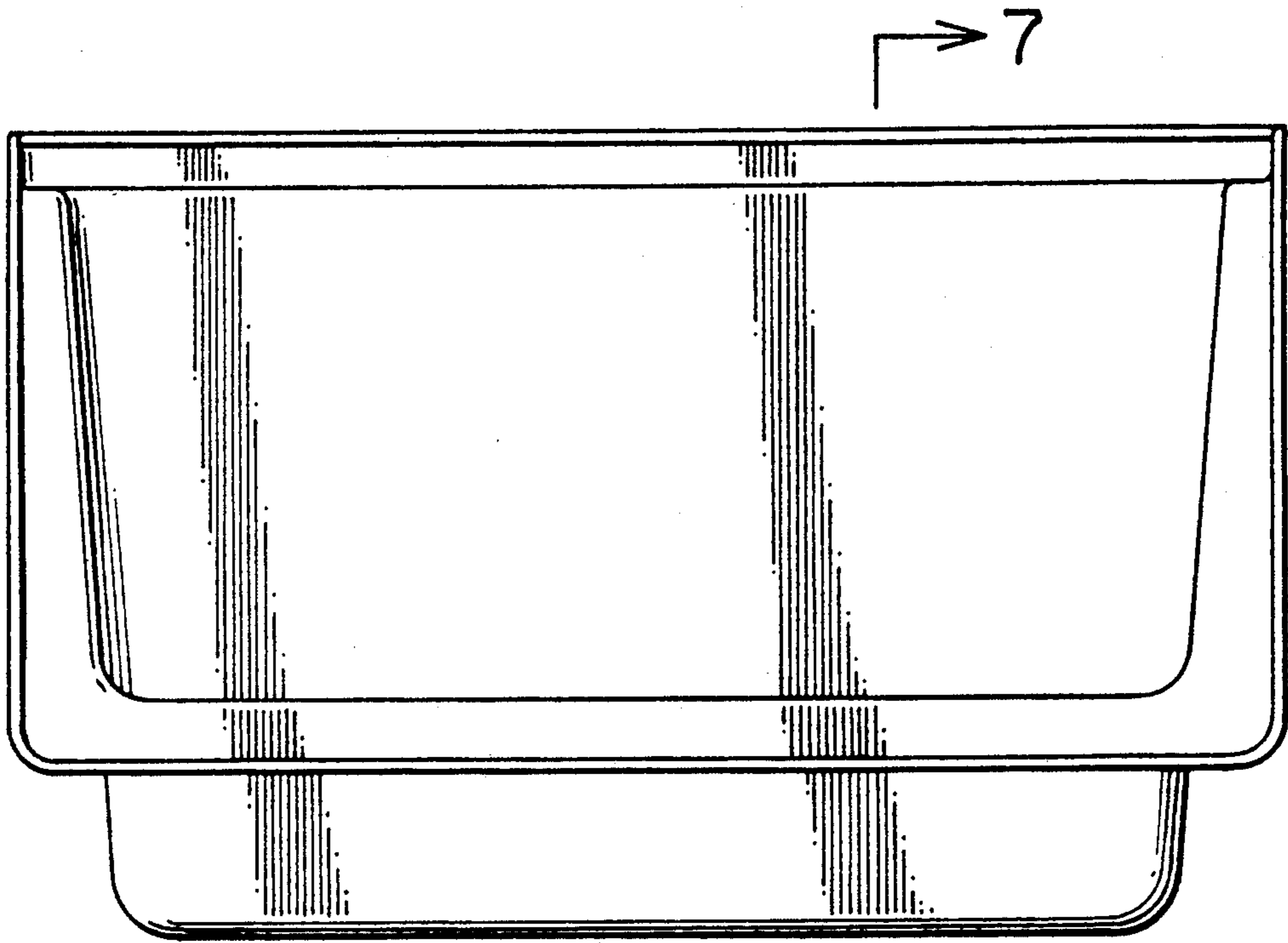


FIG. 2

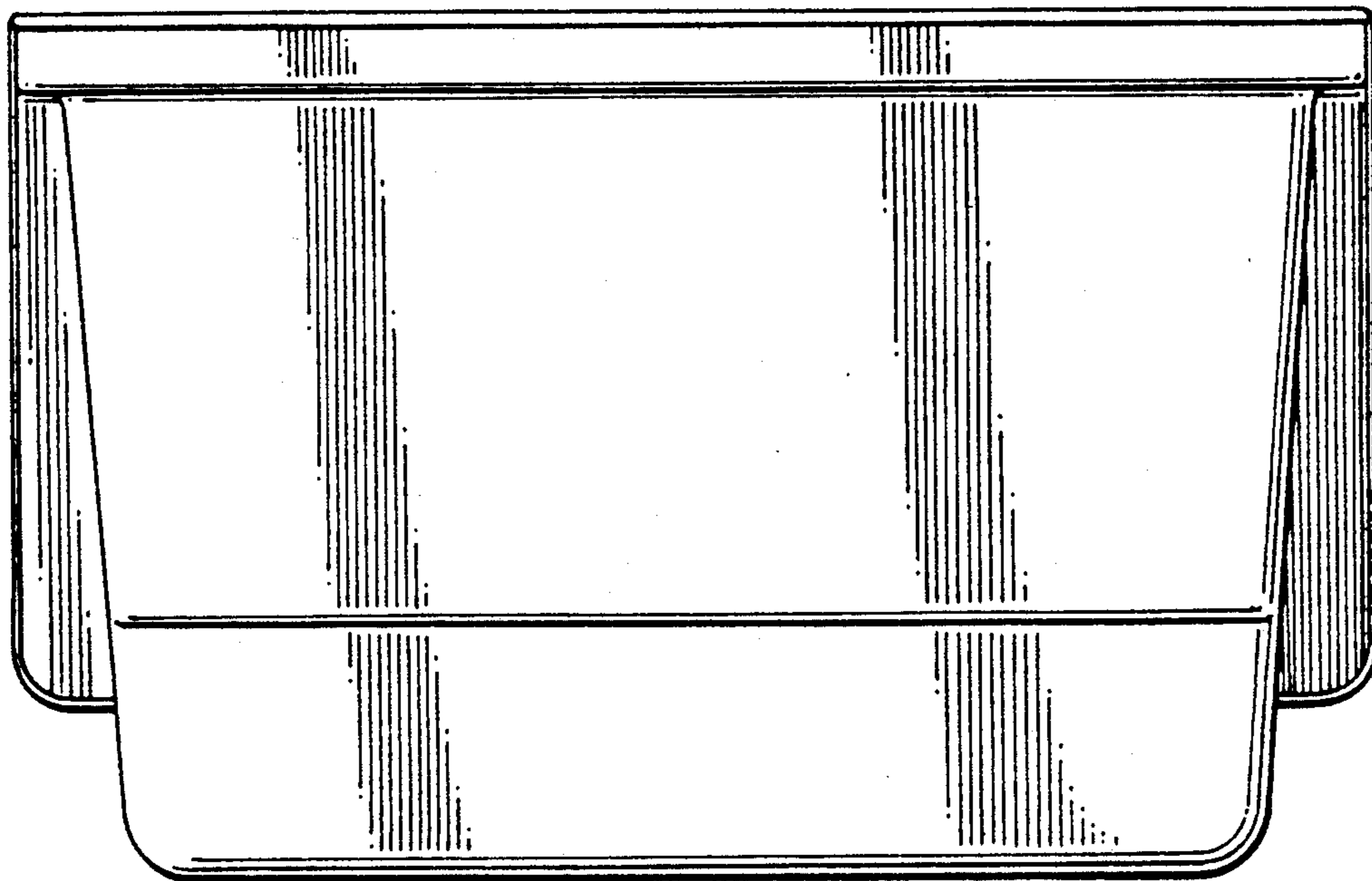


FIG. 3

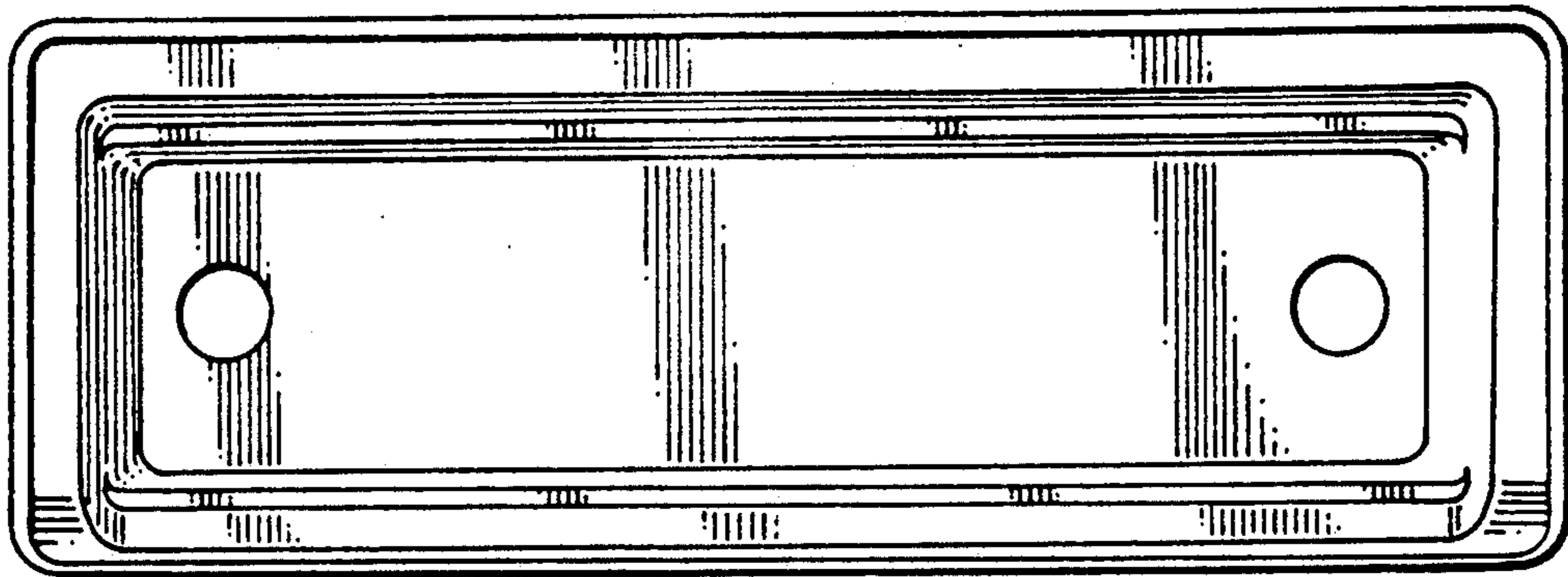


FIG. 4

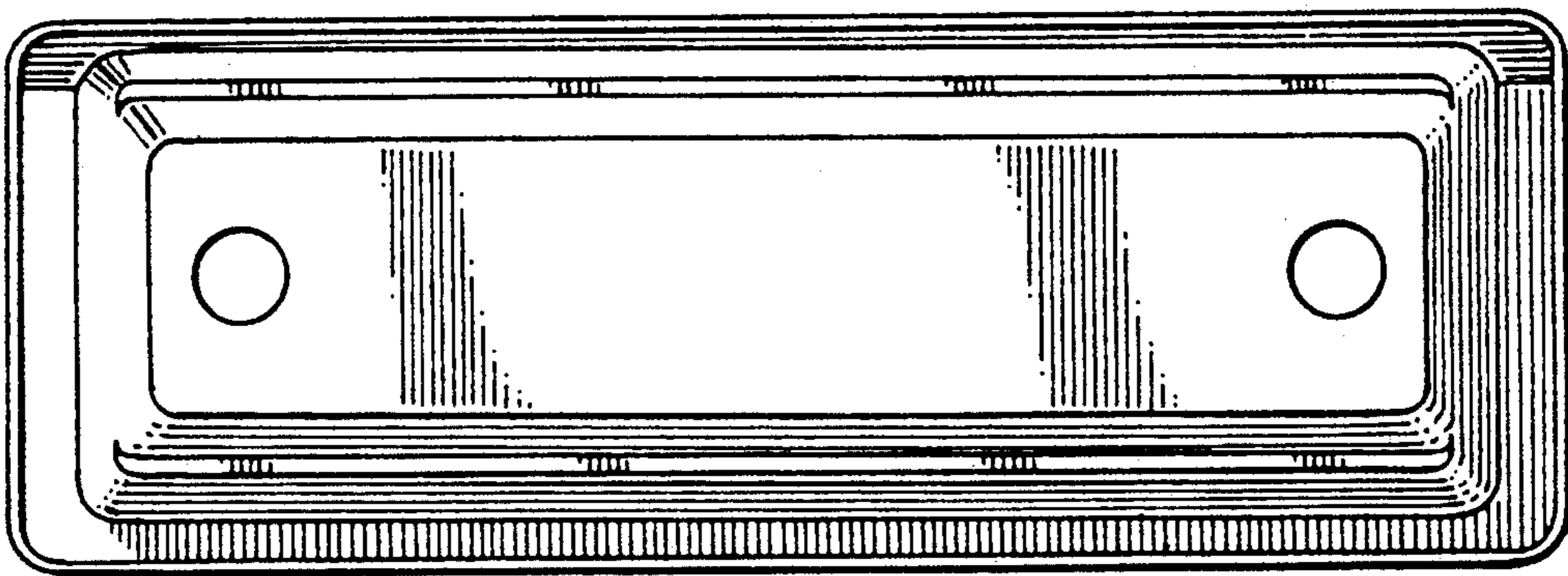


FIG. 5

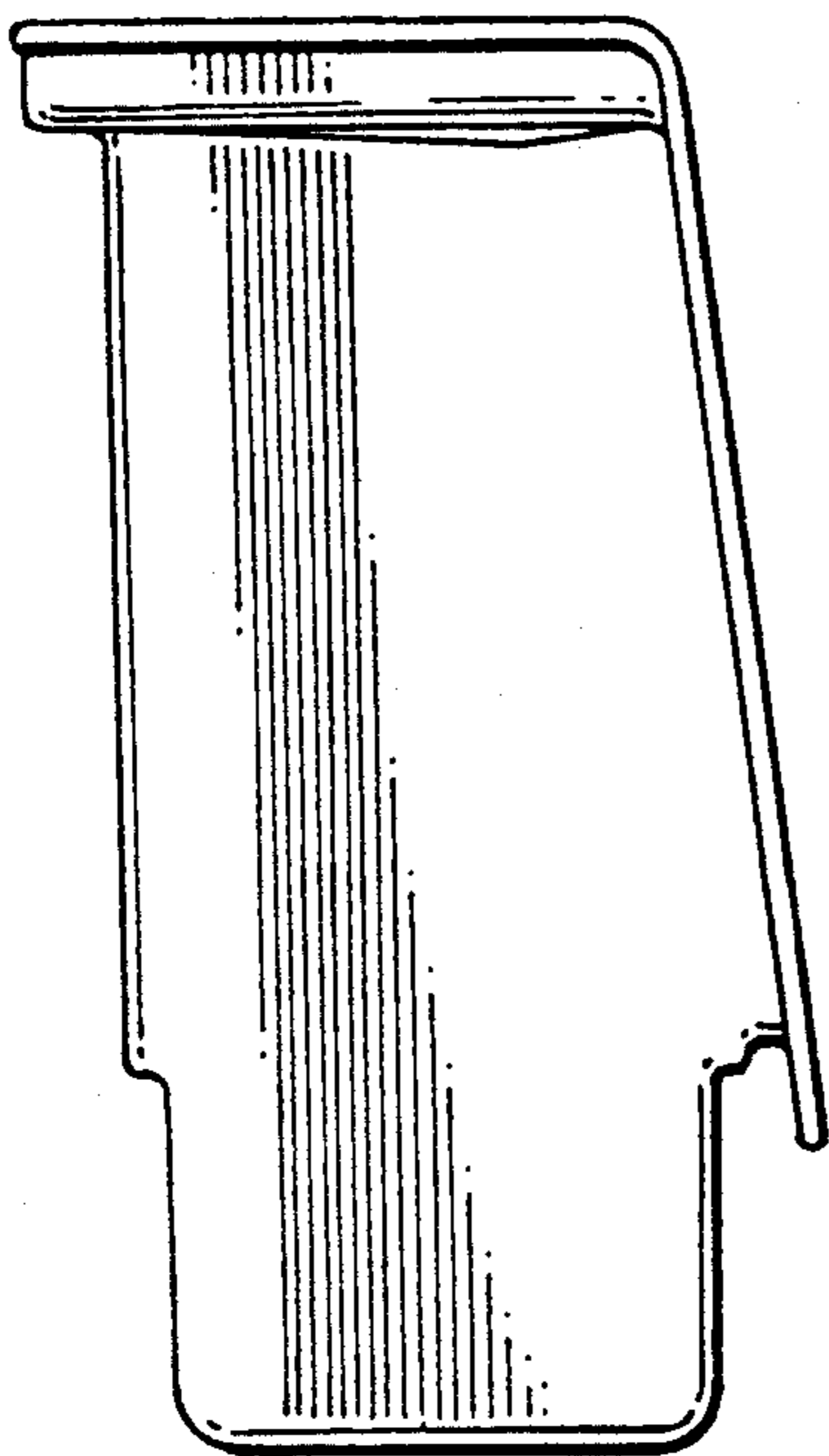


FIG. 6

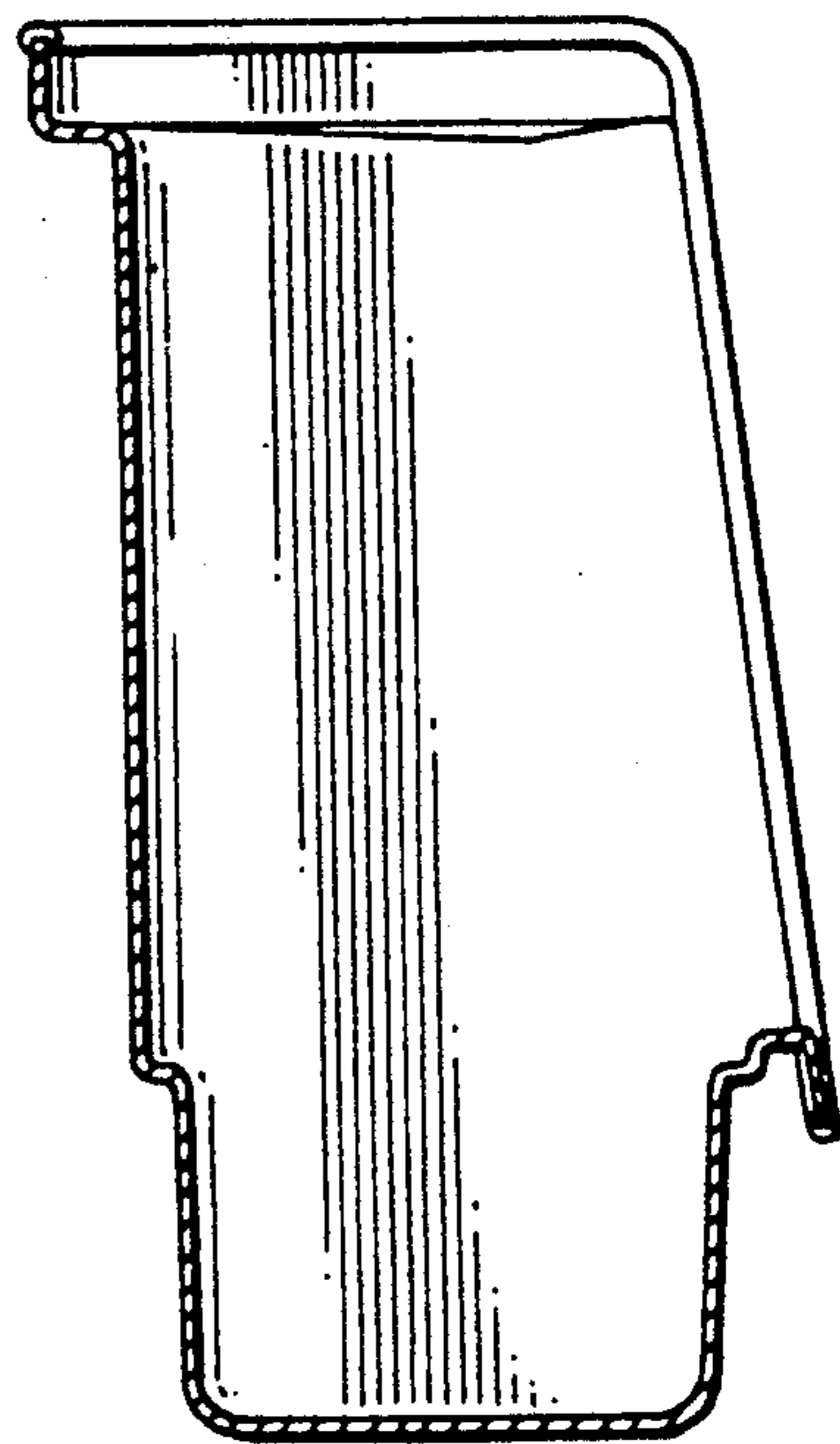


FIG. 7

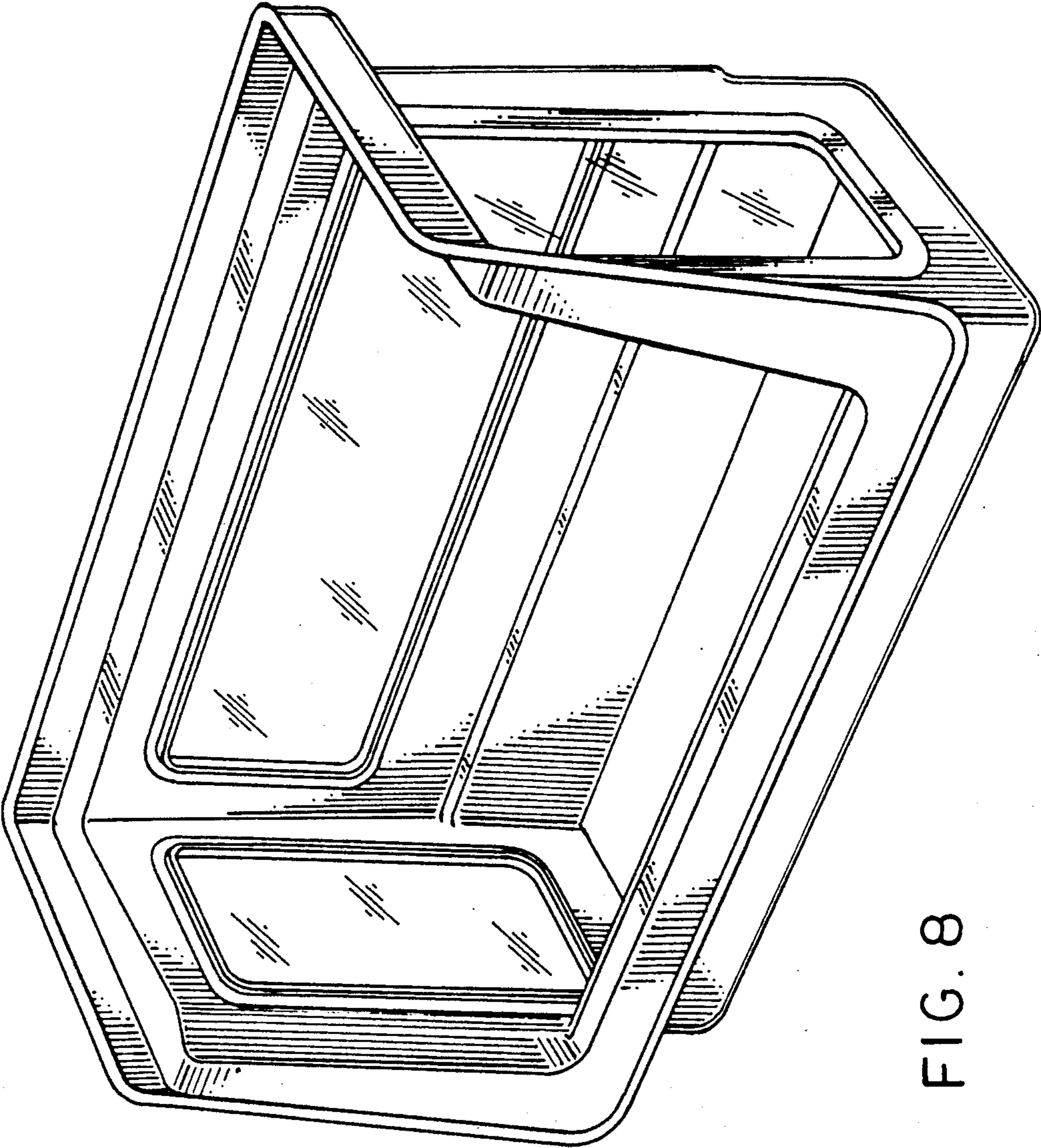


FIG. 8

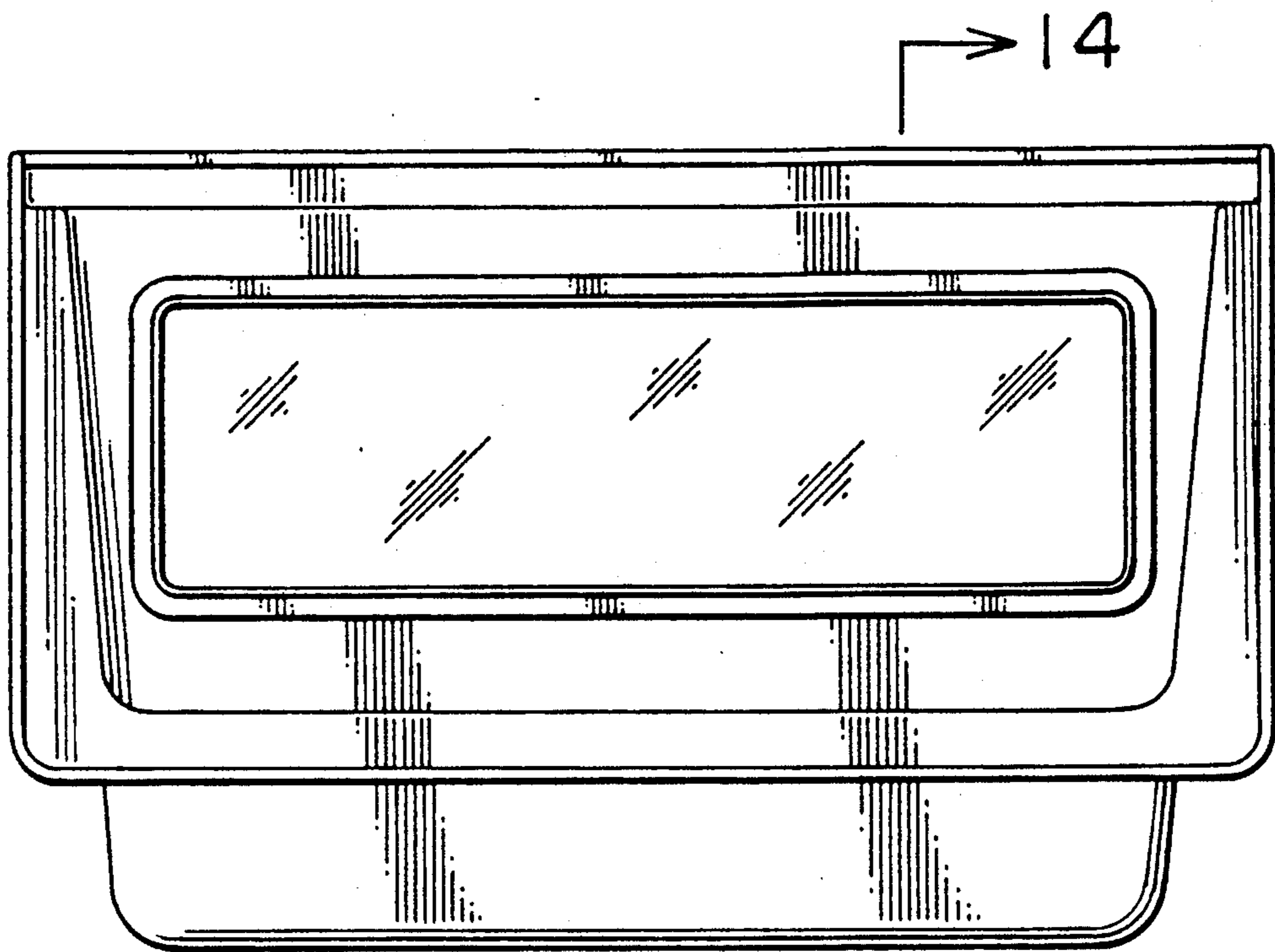


FIG. 9

14

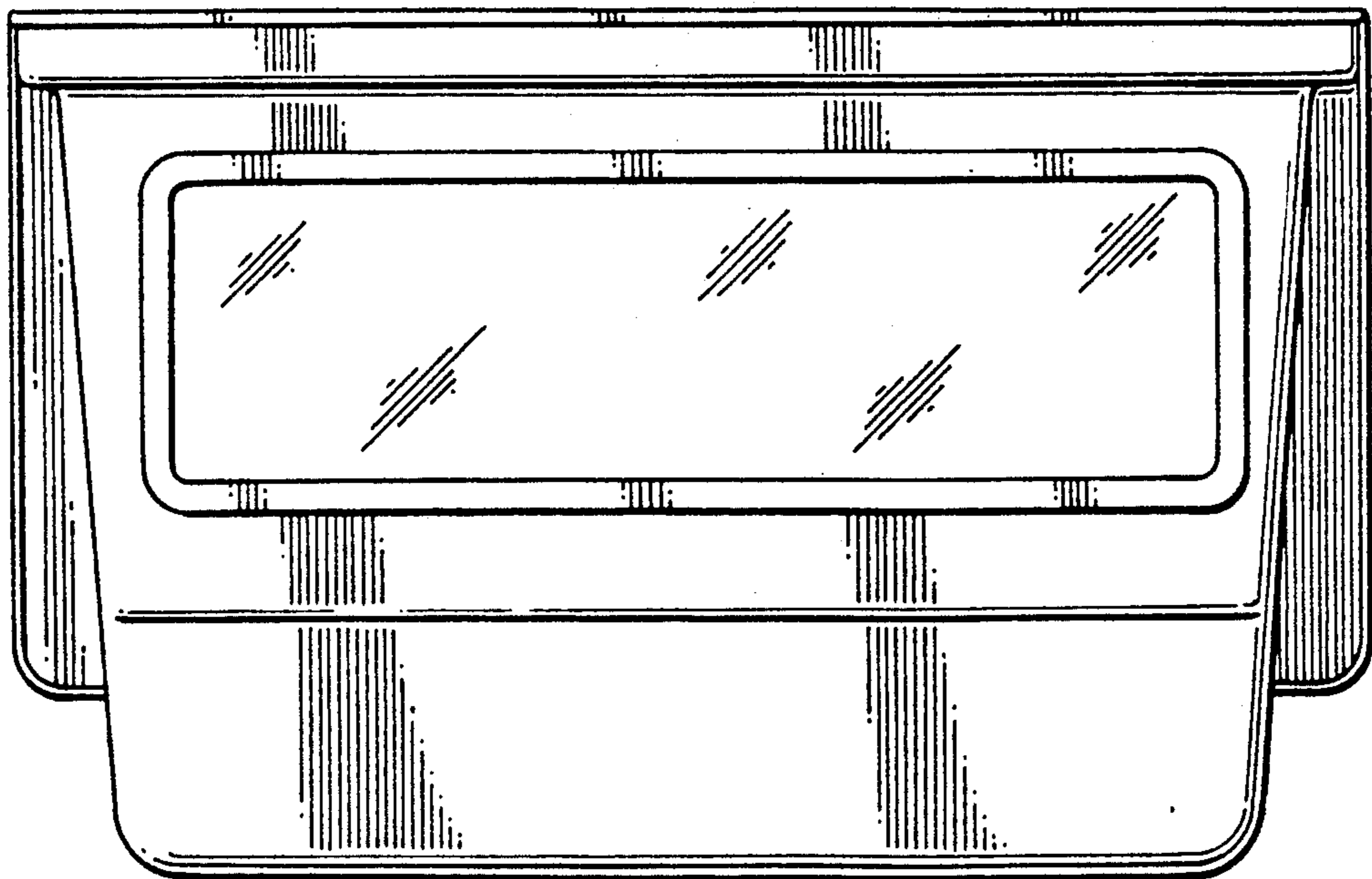


FIG. 10

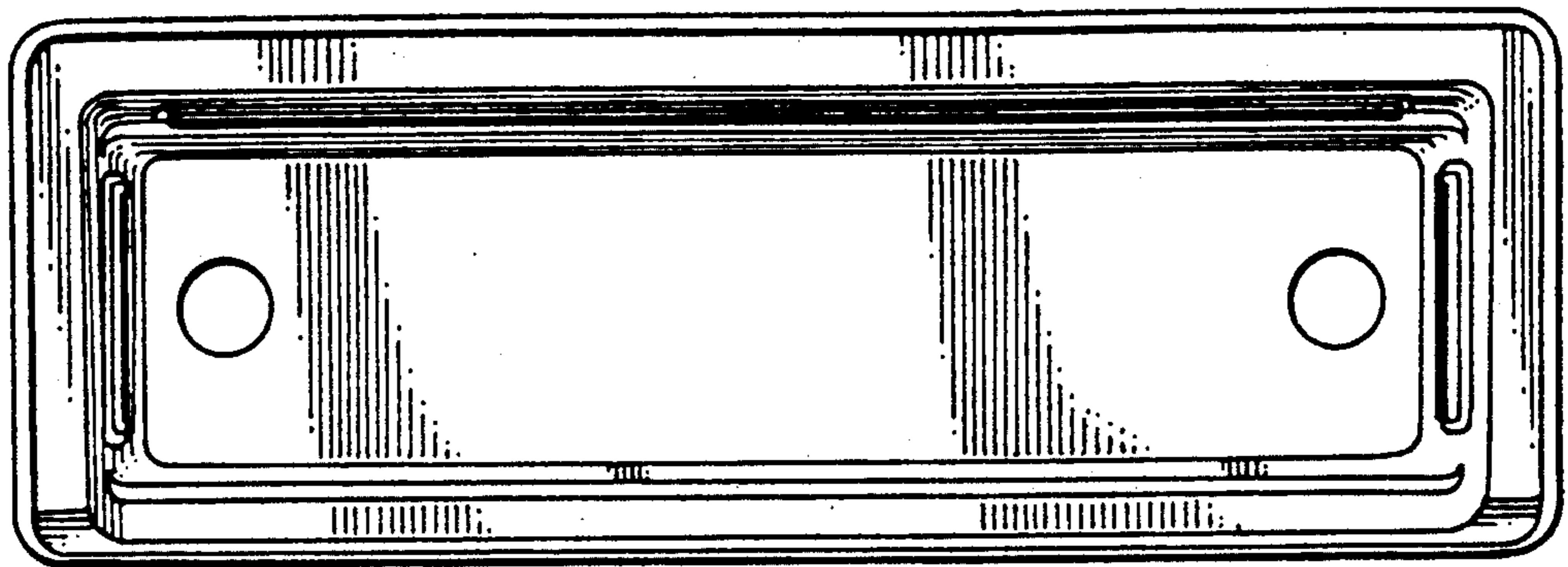


FIG. 11

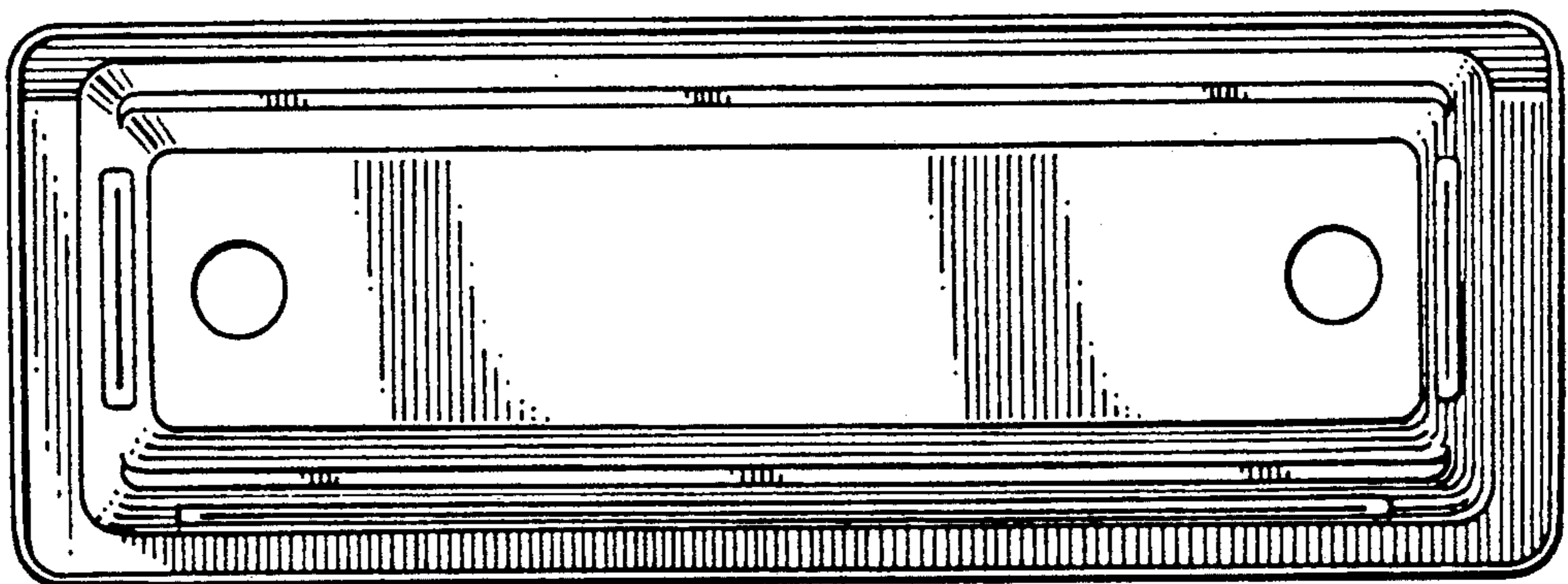


FIG. 12

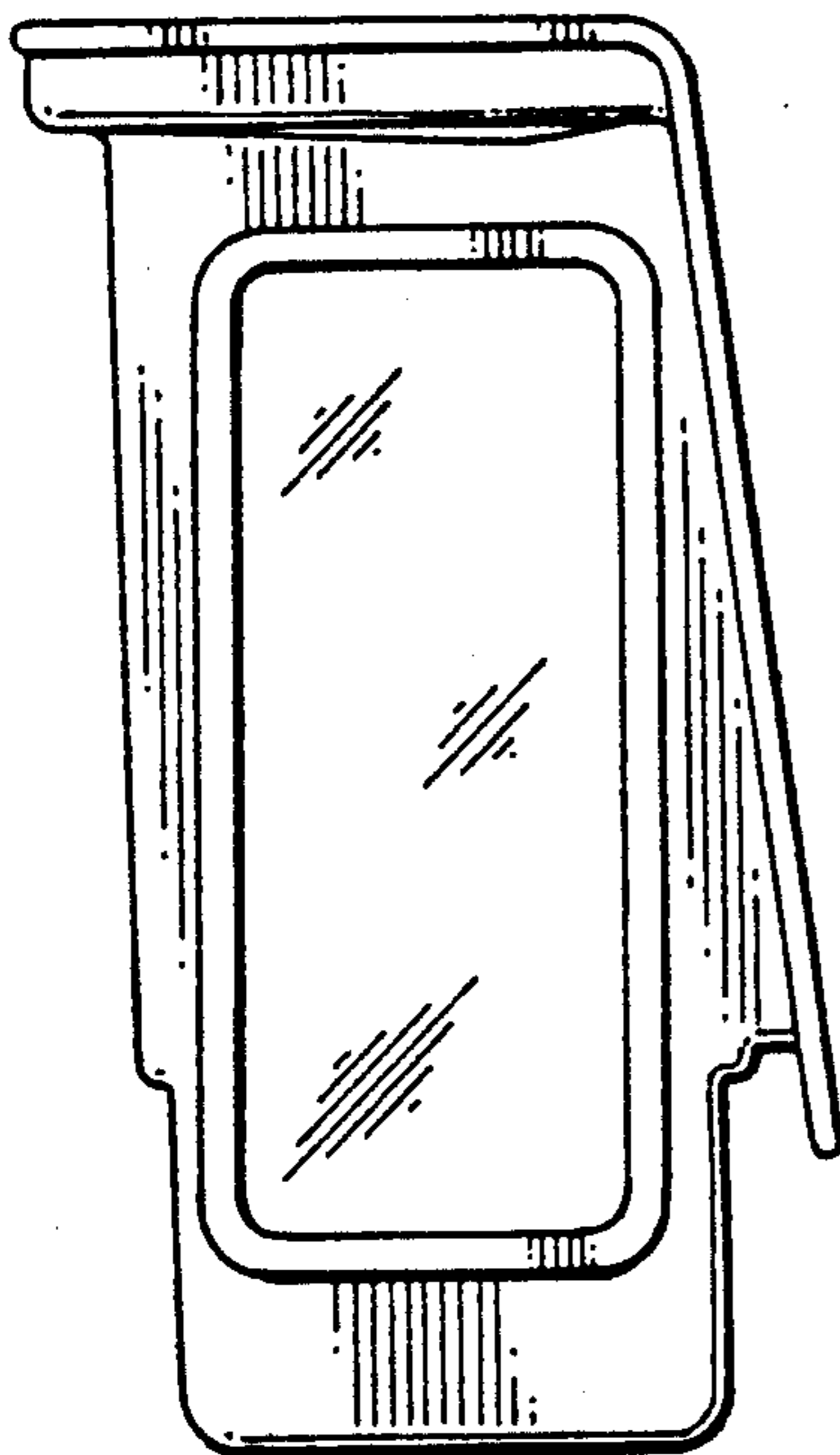


FIG. 13

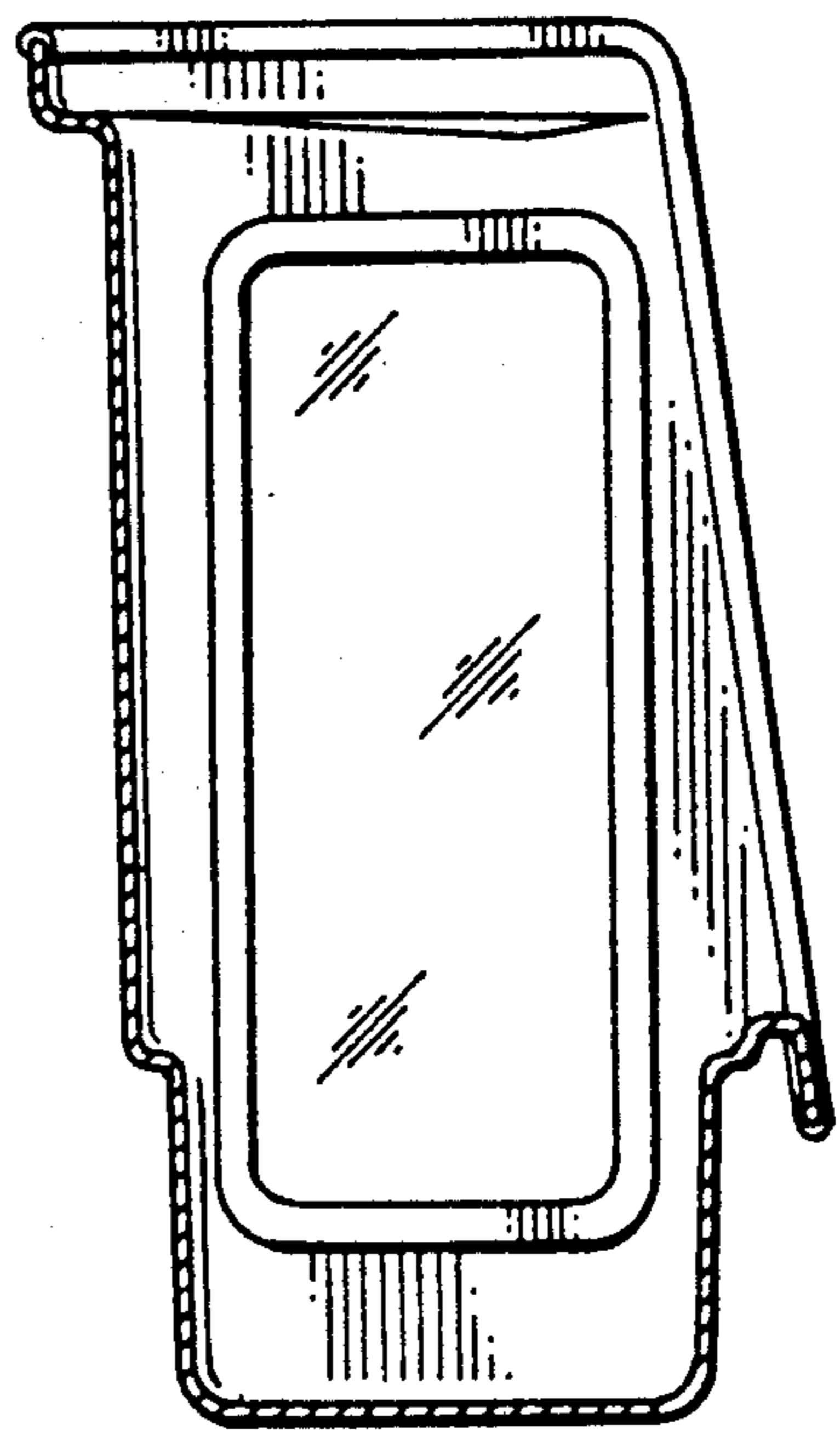


FIG. 14