

[54] BATHTUB

[56] References Cited

[76] Inventor: Thomas E. Taylor, 81 Kingscross Drive, King City, Ontario, Canada, LOG 1K0

U.S. PATENT DOCUMENTS

- D. 216,119 11/1969 Kaiser D23/281
- D. 238,072 12/1975 Ganger D23/281
- D. 243,692 3/1977 Gruber D23/281
- D. 274,456 6/1984 Cuttriss D23/280

[**] Term: 14 Years

Primary Examiner—Susan J. Lucas
Attorney, Agent, or Firm—Ridout & Maybee

[21] Appl. No.: 170,462

[57] CLAIM

The ornamental design for a bathtub, as shown and described.

[22] Filed: Mar. 21, 1988

DESCRIPTION

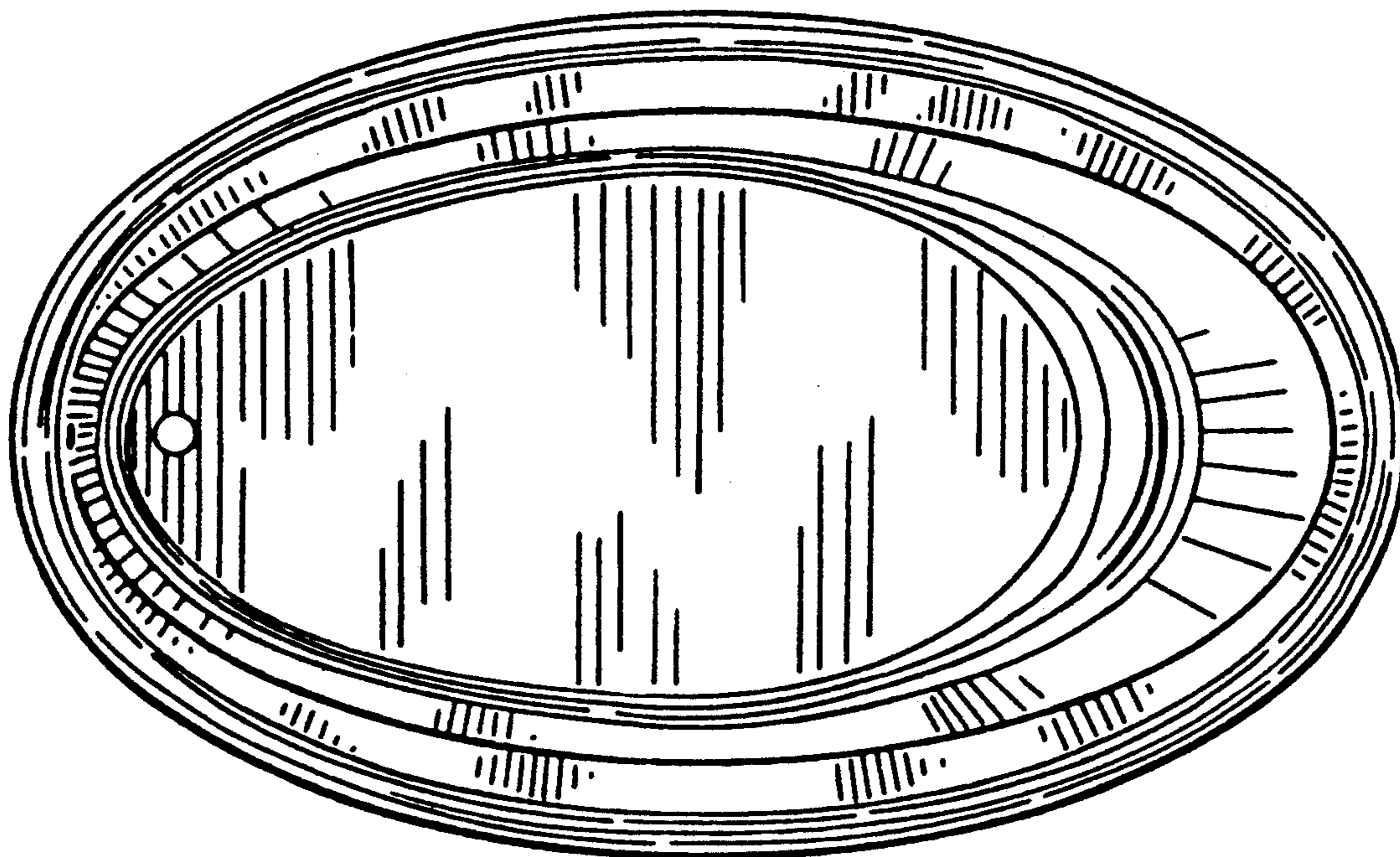
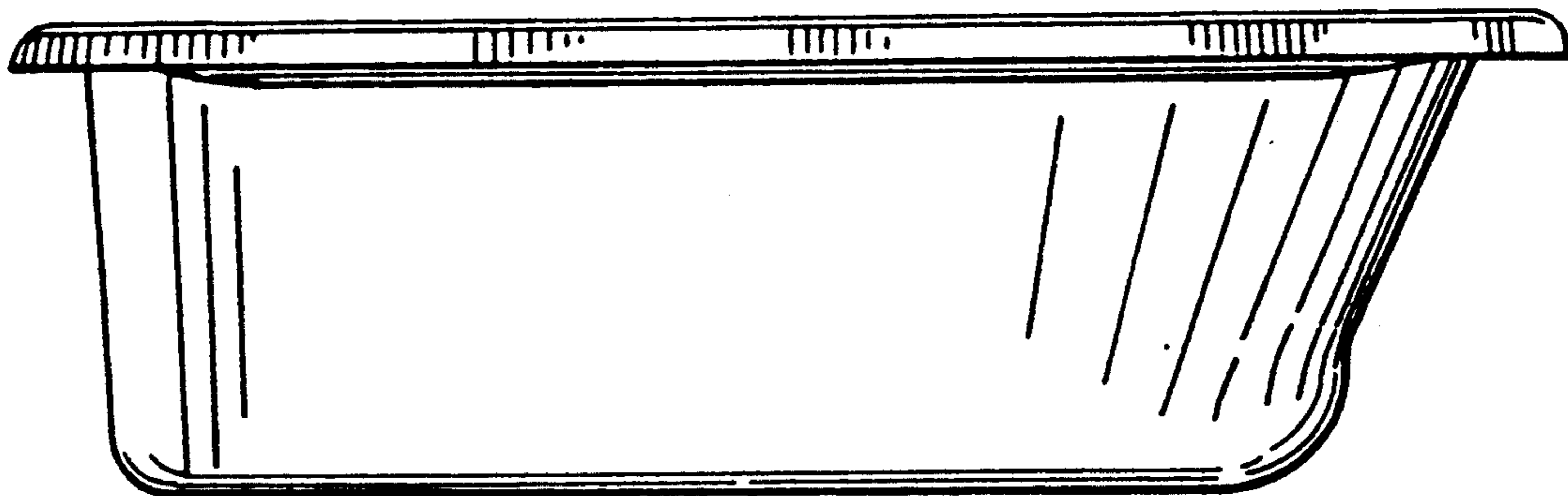
[30] Foreign Application Priority Data

Oct. 9, 1987 [CA] Canada 09-10-87-5

[52] U.S. Cl. D23/281

[58] Field of Search D23/270-275,
D23/276-283, 303, 304; D24/36, 38; 4/538,
539, 541-544, 546, 548, 549, 559, 571-579,
582-584, 589-594; 128/66, 369

FIG. 1 is a top, left end perspective view of a bathtub showing my new design;
FIG. 2 is a top, right end perspective view thereof;
FIG. 3 is a right end elevational view thereof;
FIG. 4 is a side elevational view thereof, the opposite side being a mirror image;
FIG. 5 is a top plan view thereof.



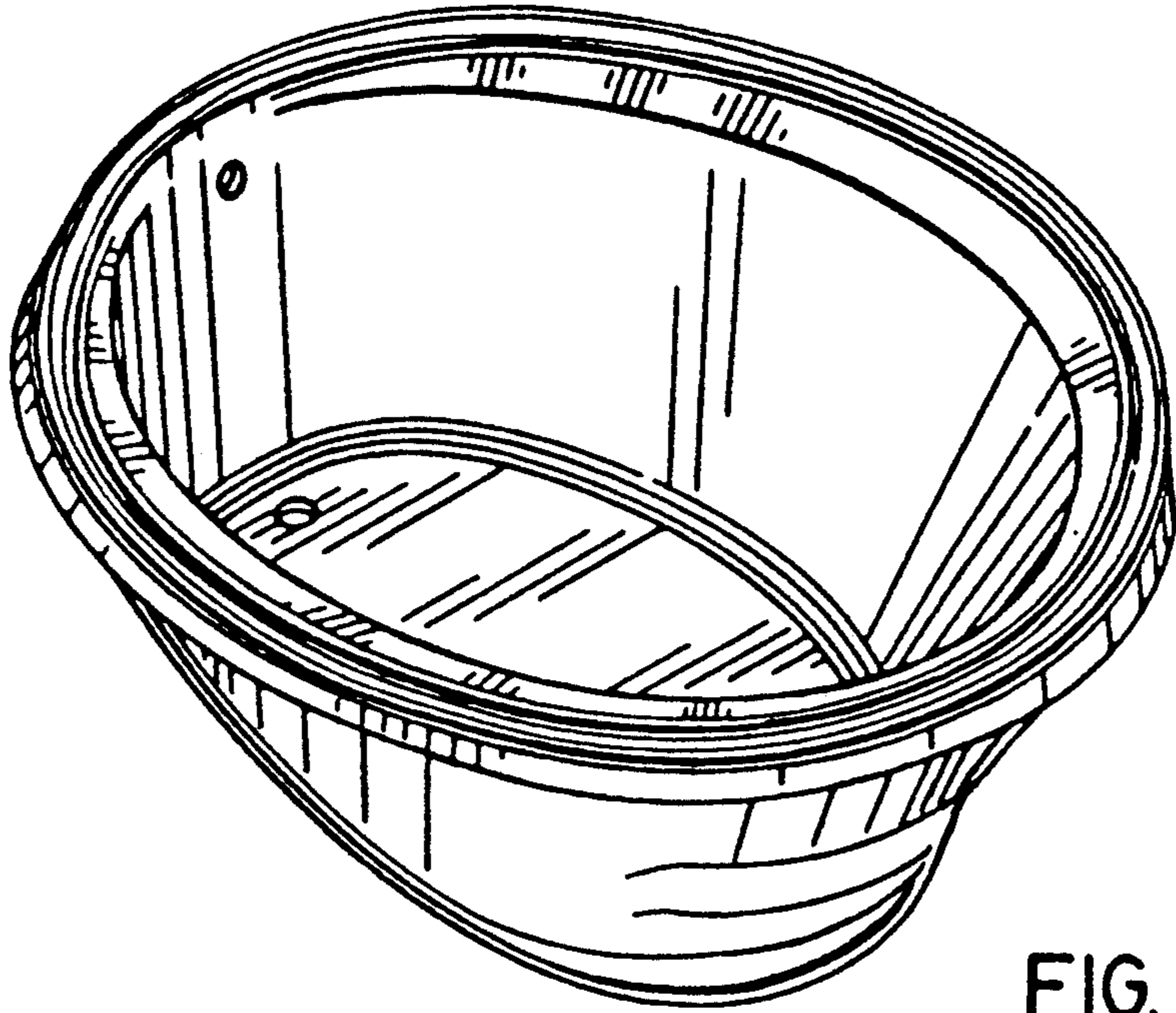


FIG. 1

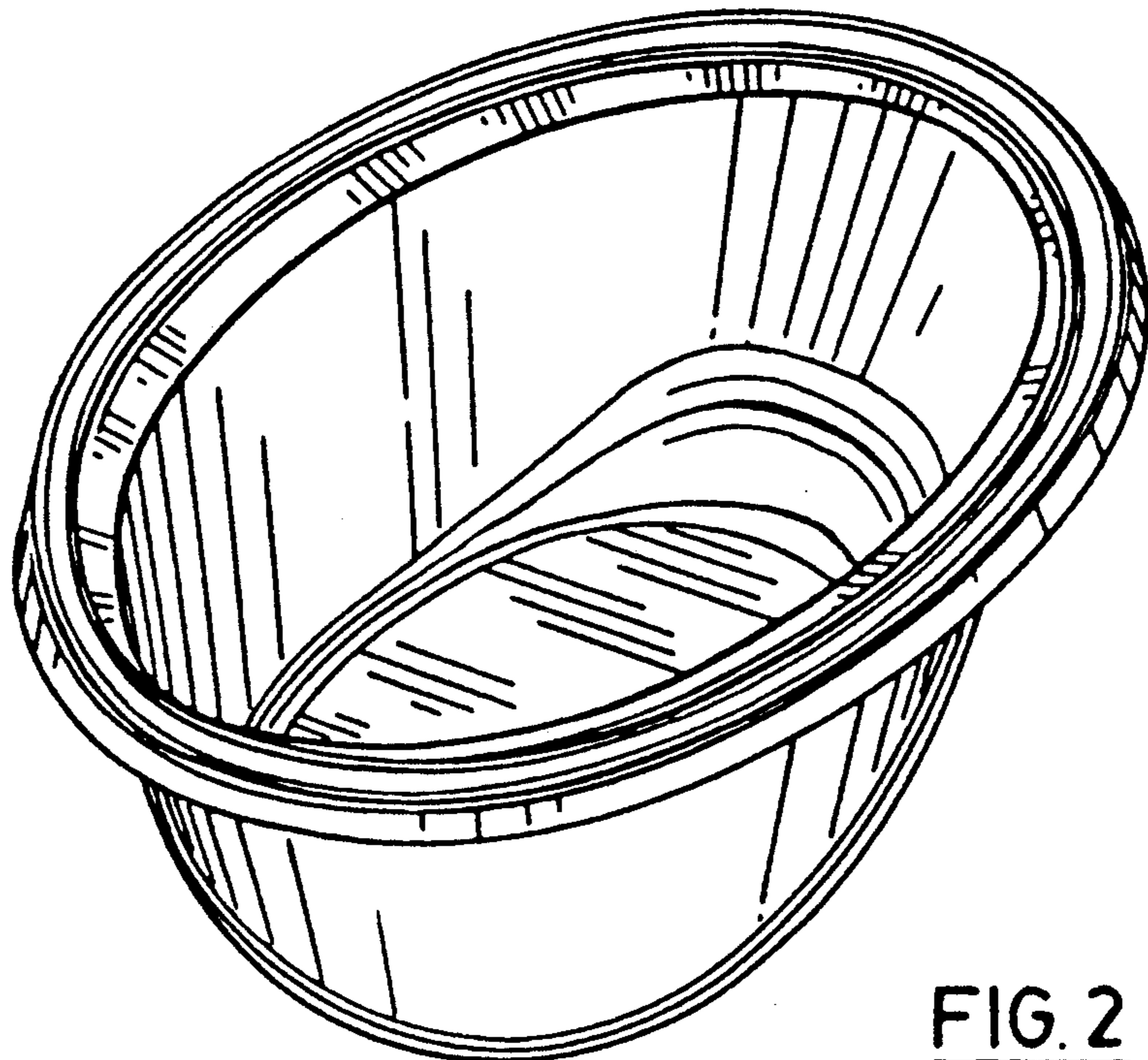


FIG. 2

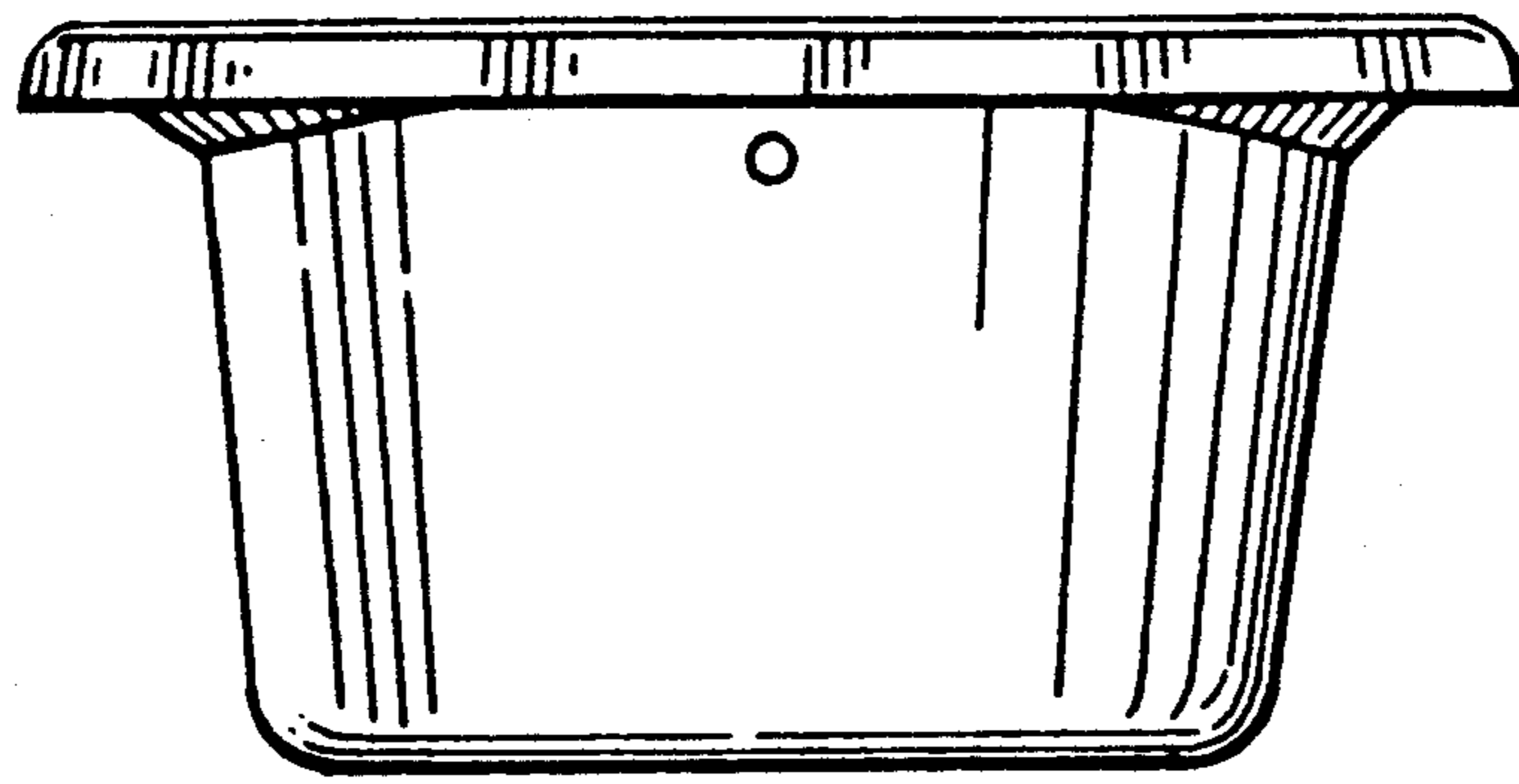


FIG. 3

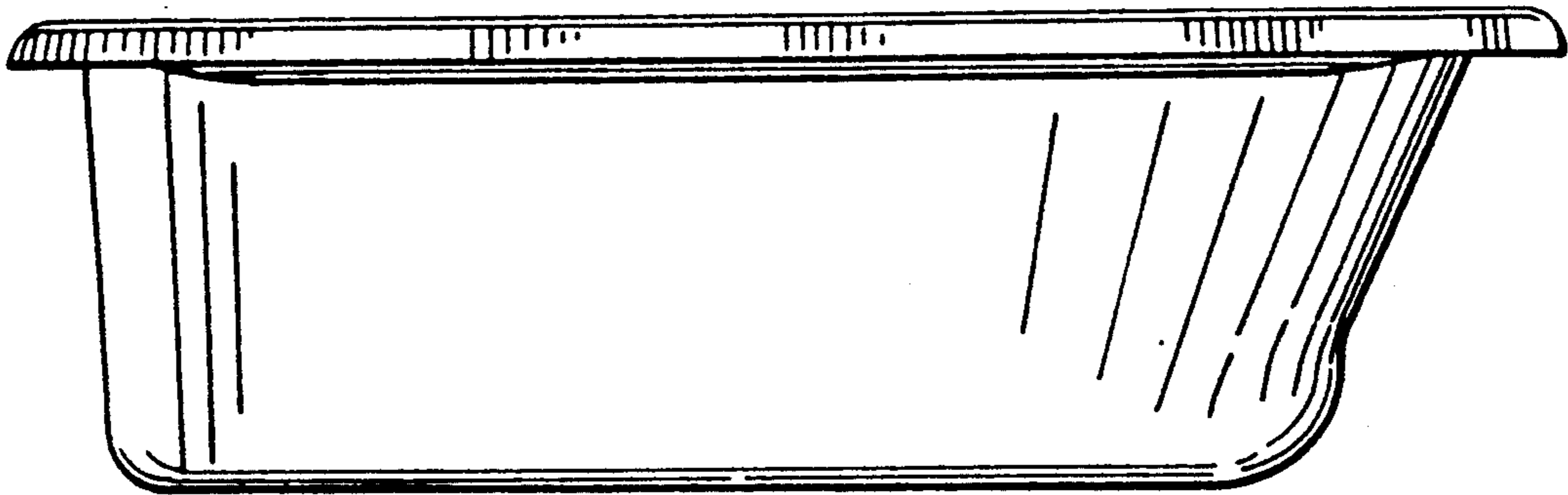


FIG. 4

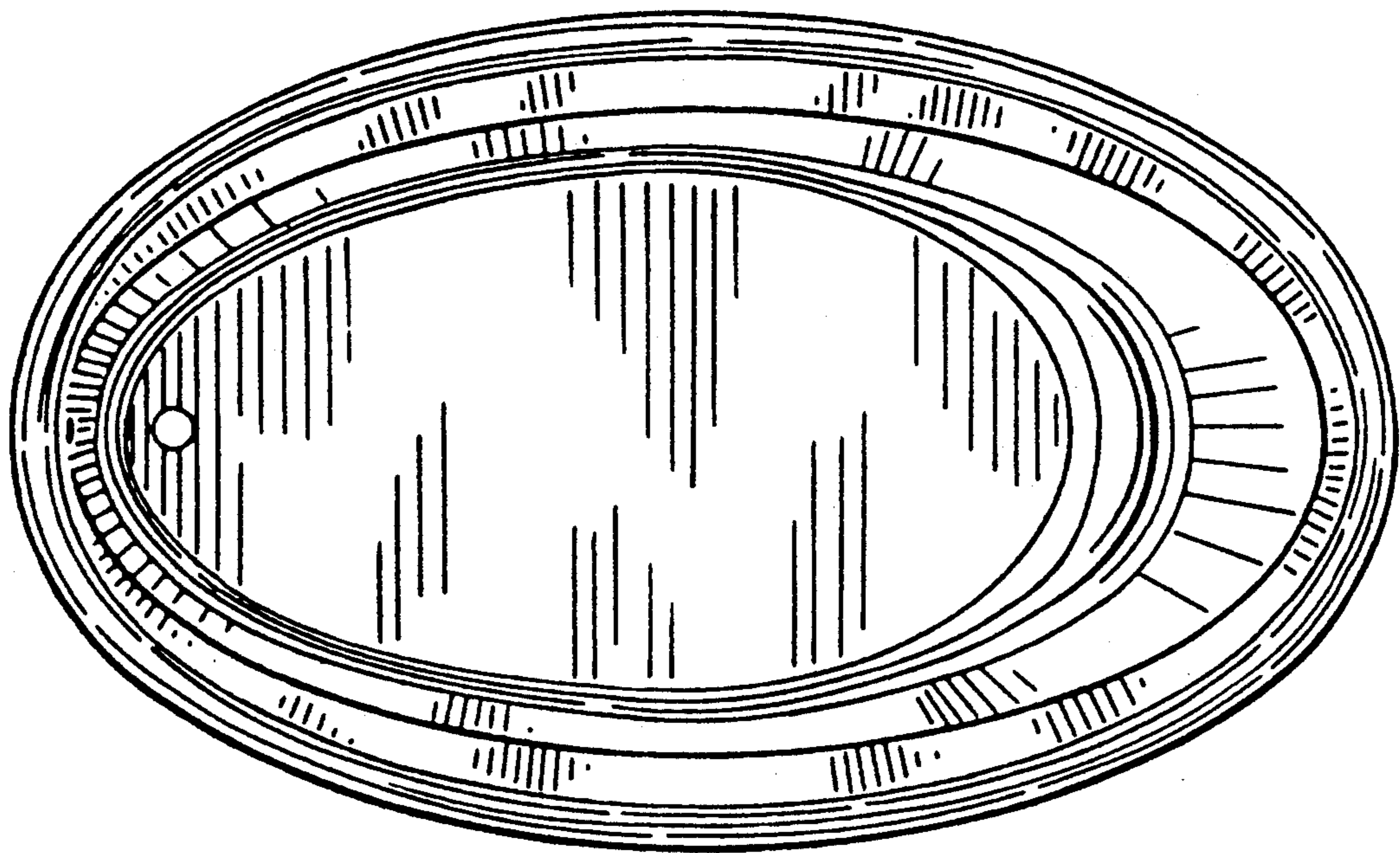


FIG. 5