

[54] **COMBINED BATHTUB AND SHOWER ENCLOSURE**

[76] **Inventor: Hermann Cymara, 162 Horton Rd., Newfield, N.Y. 14867**

[**] **Term: 14 Years**

[21] **Appl. No.: 399,752**

[22] **Filed: Aug. 14, 1989**

[52] **U.S. Cl. D23/275**

[58] **Field of Search D23/271, 275, 277-283, D23/303-337; 4/538, 546, 548, 550, 584**

D. 265,756	8/1982	Ballard	D23/275
D. 281,448	11/1985	Primocci	D23/275
1,815,291	7/1931	Druckenmiller	4/552
2,163,154	6/1939	Radimsky	4/590
3,283,340	11/1966	McMurtrie et al.	4/584
3,557,390	1/1971	Ruggles et al.	4/584
3,827,086	8/1974	Seymour et al.	4/584 X
3,955,219	5/1976	Finch et al.	4/552
4,080,710	3/1978	Hess	4/584
4,109,426	8/1978	Dobija	4/584
4,553,276	11/1985	Paradis	4/596 X
4,578,832	4/1986	Primucci	4/584 X

*Primary Examiner—James R. Largen
Attorney, Agent, or Firm—Charles S. McGuire*

[56] **References Cited**

U.S. PATENT DOCUMENTS

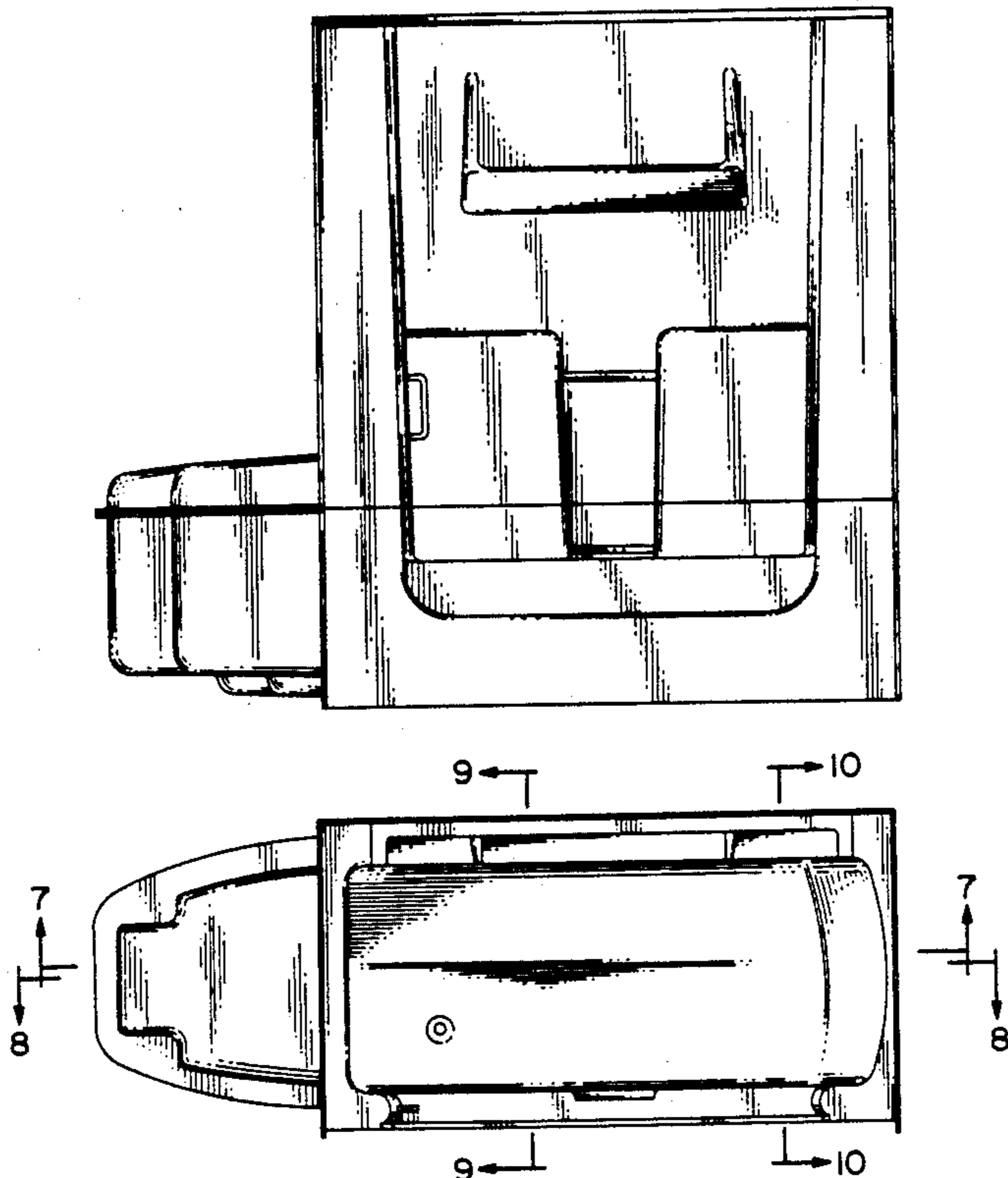
D. 207,096	3/1967	Osika	D23/275
D. 208,528	9/1967	Osika	D23/275
D. 212,946	12/1968	Clark	D23/275
D. 215,717	10/1969	Ruggles et al.	D23/275
D. 217,865	6/1970	Myers	D23/275
D. 217,867	6/1970	Myers	D23/275
D. 219,448	12/1970	Skyhawk	D23/275
D. 219,587	12/1970	Skyhawk	D23/275
D. 221,760	9/1971	Skyhawk	D23/305
D. 225,739	1/1973	Seymour	D23/275
D. 225,995	1/1973	Alexander	D23/275
D. 226,853	5/1973	Korol	D23/305
D. 228,067	8/1973	Humphries, Jr.	D23/275
D. 233,932	12/1974	Seymour	D23/305 X
D. 238,275	12/1975	Folden	D23/275
D. 238,276	12/1975	Alexander	D23/275
D. 248,768	8/1978	Rehbein	D23/275
D. 250,273	11/1978	Rath et al.	D23/275
D. 252,585	8/1979	Clow	D23/275
D. 258,984	4/1981	Vanderhoef	D23/275

[57] **CLAIM**

The ornamental design for combined bathtub and shower enclosure, as shown and described.

DESCRIPTION

FIG. 1 is a front elevational view of a combined bathtub and shower enclosure showing my new design; FIG. 2 is a right end elevational view thereof; FIG. 3 is a top plan view thereof; FIG. 4 is a rear elevational view thereof; FIG. 5 is a left end elevational view thereof; FIG. 6 is a bottom plan view thereof; FIG. 7 is a cross sectional view taken on line 7—7 of FIG. 3; FIG. 8 is a cross sectional view taken on line 8—8 of FIG. 3; FIG. 9 is a cross sectional view taken on line 9—9 of FIG. 3; and FIG. 10 is a cross sectional view taken on line 10—10 of FIG. 3.



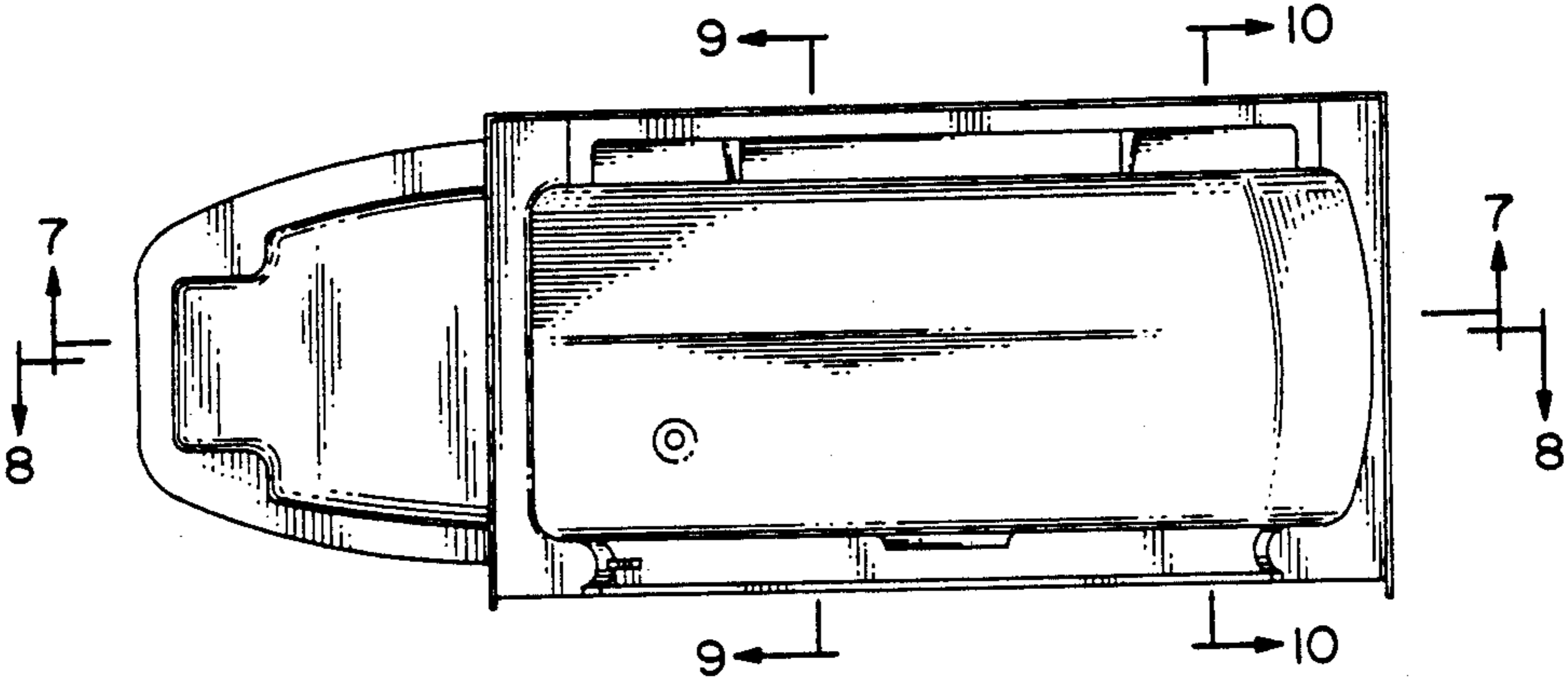


FIG. 3

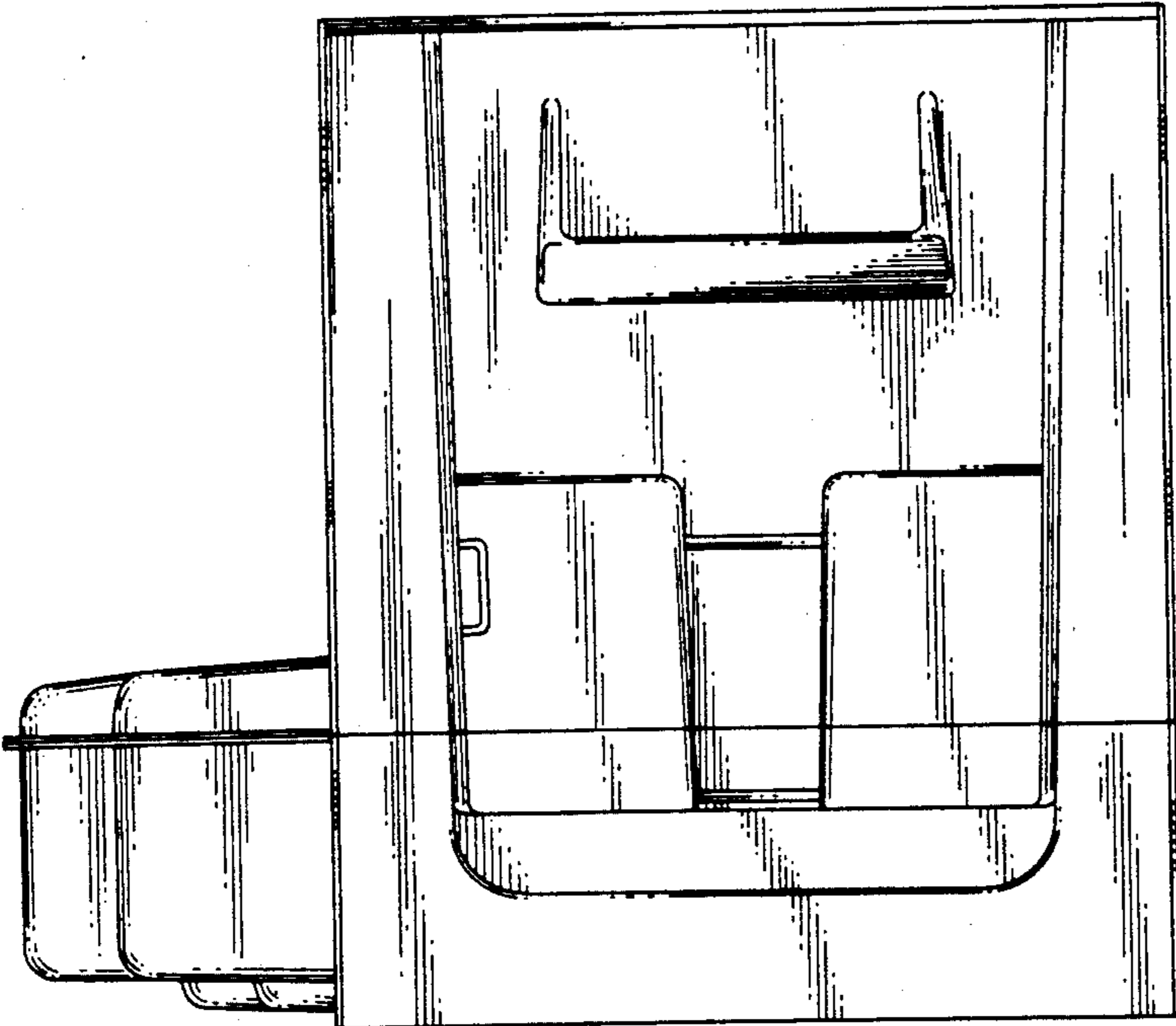


FIG. 1

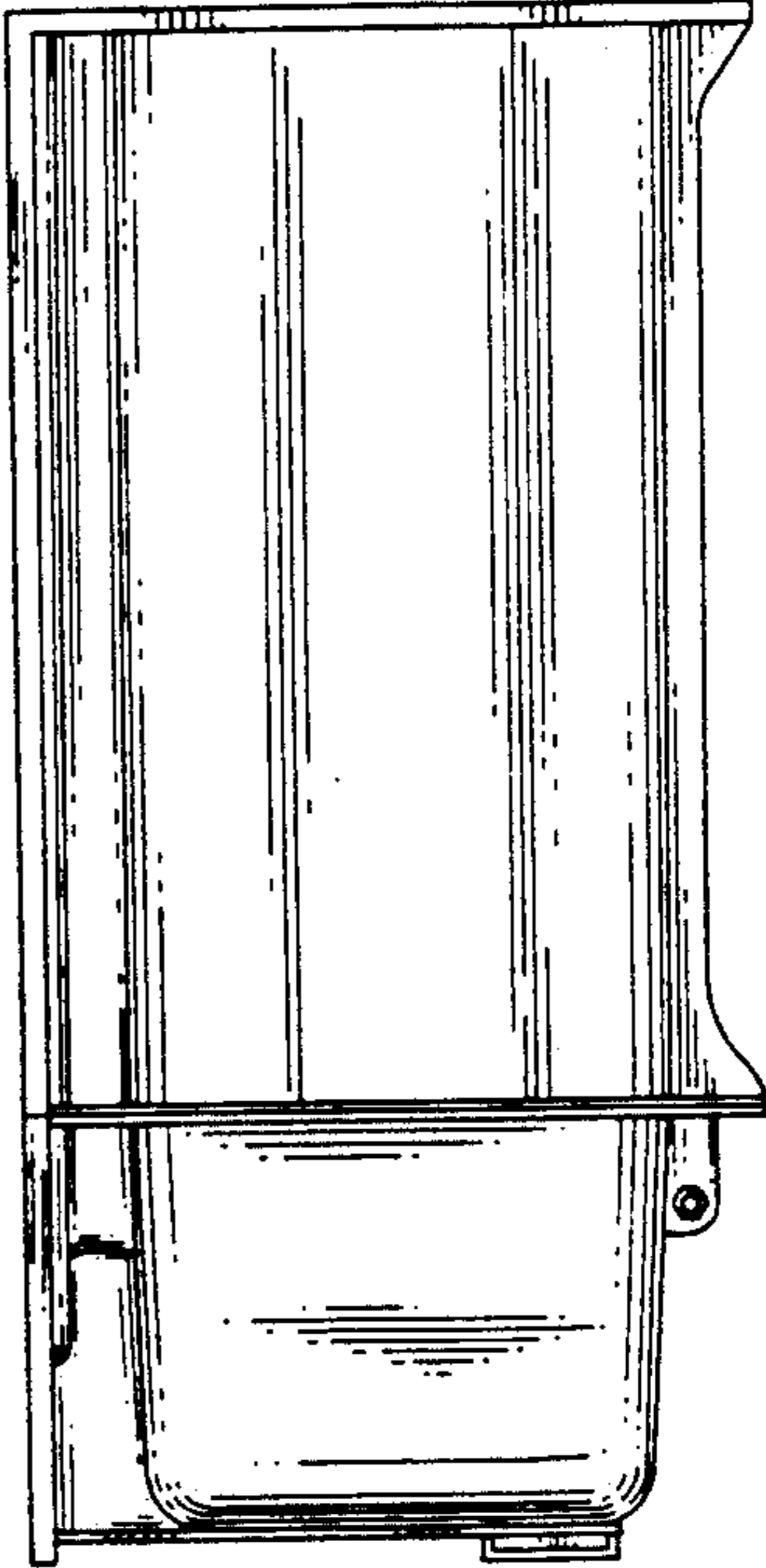


FIG. 2

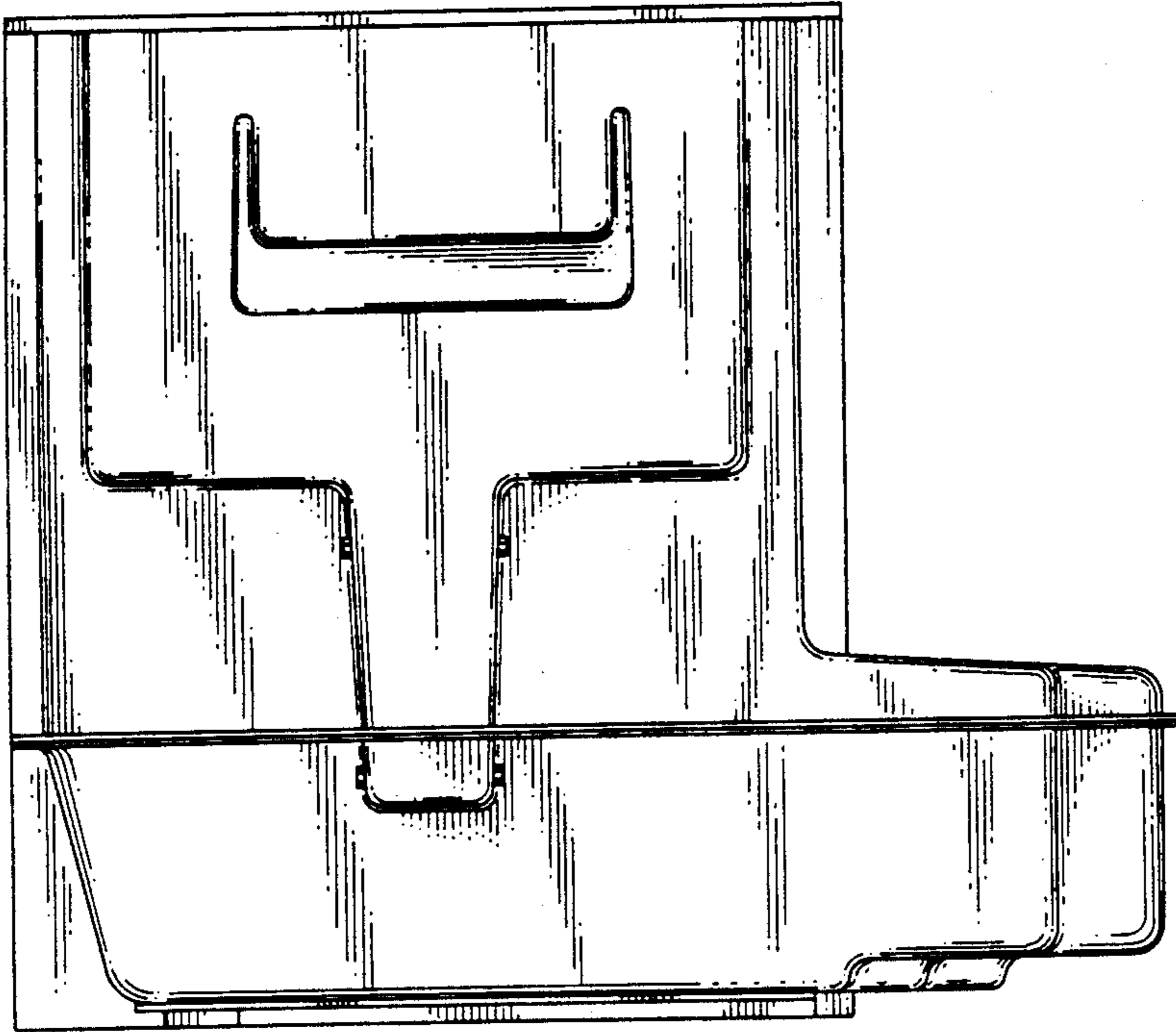


FIG. 4

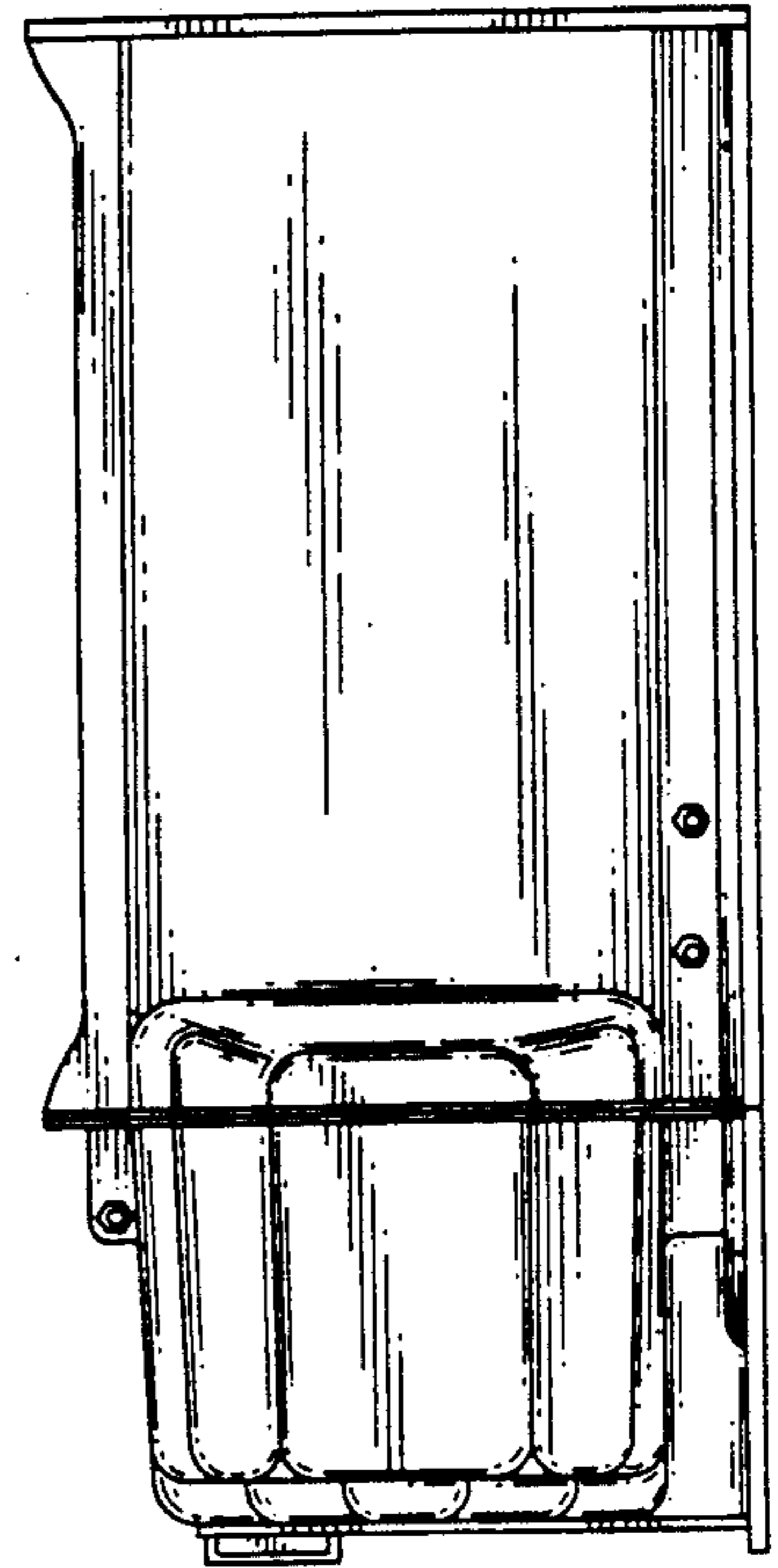


FIG. 5

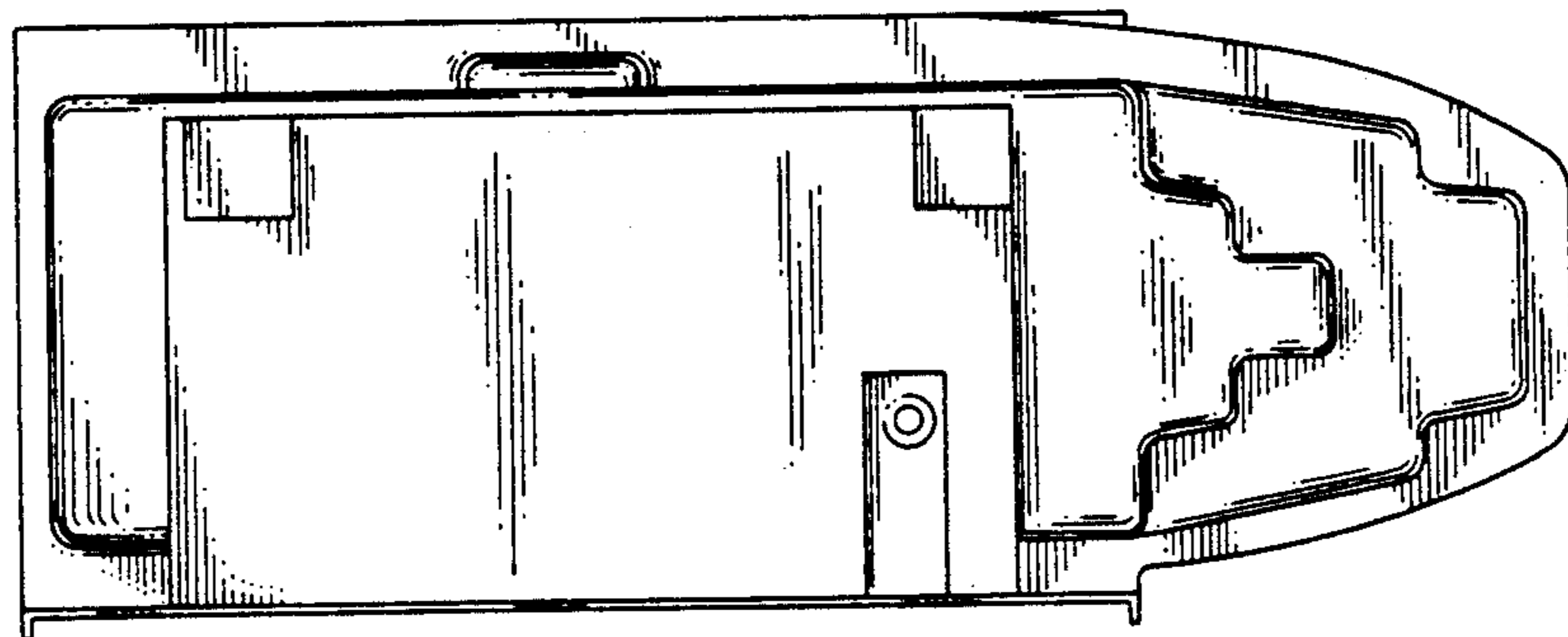


FIG. 6

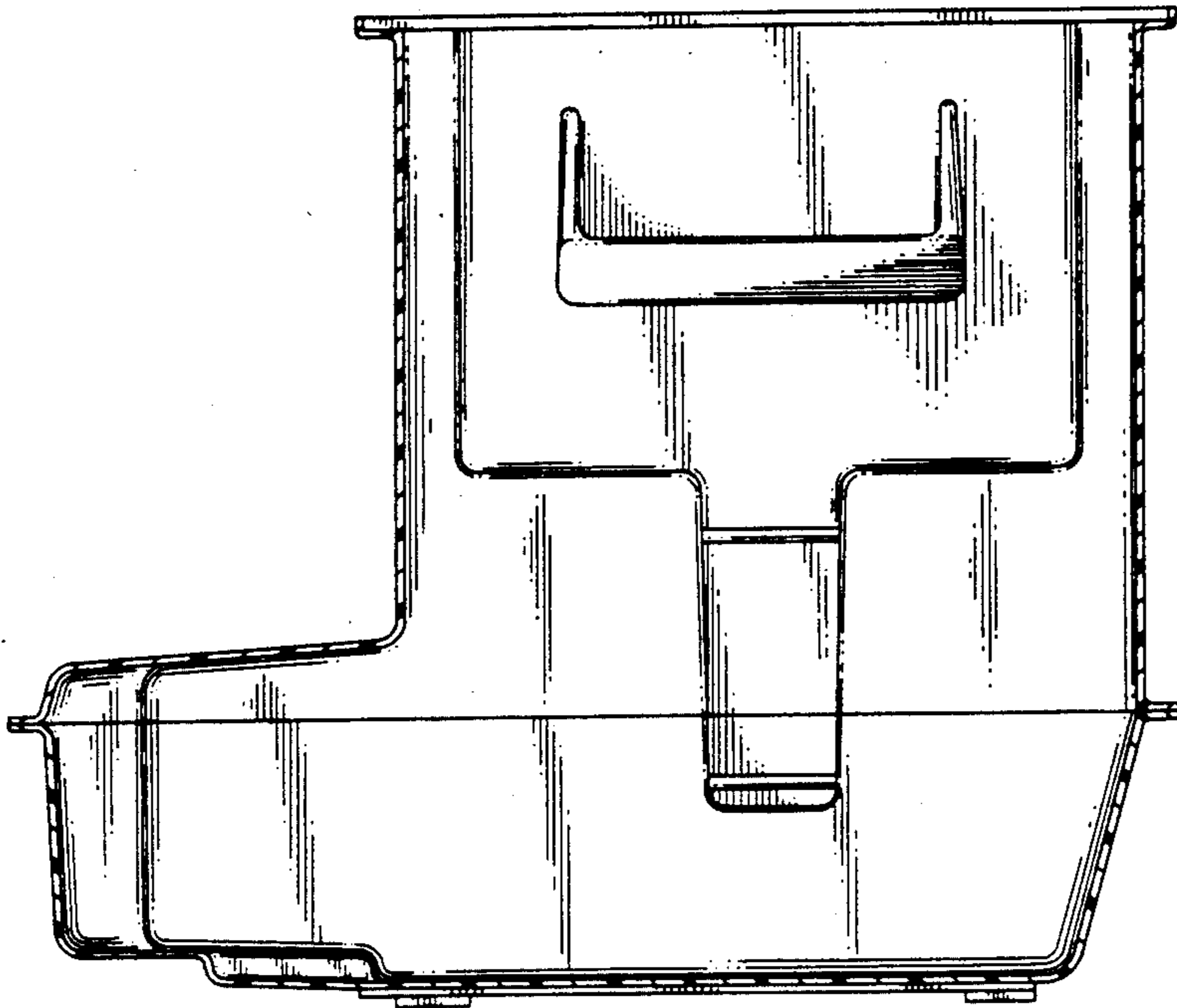


FIG. 7

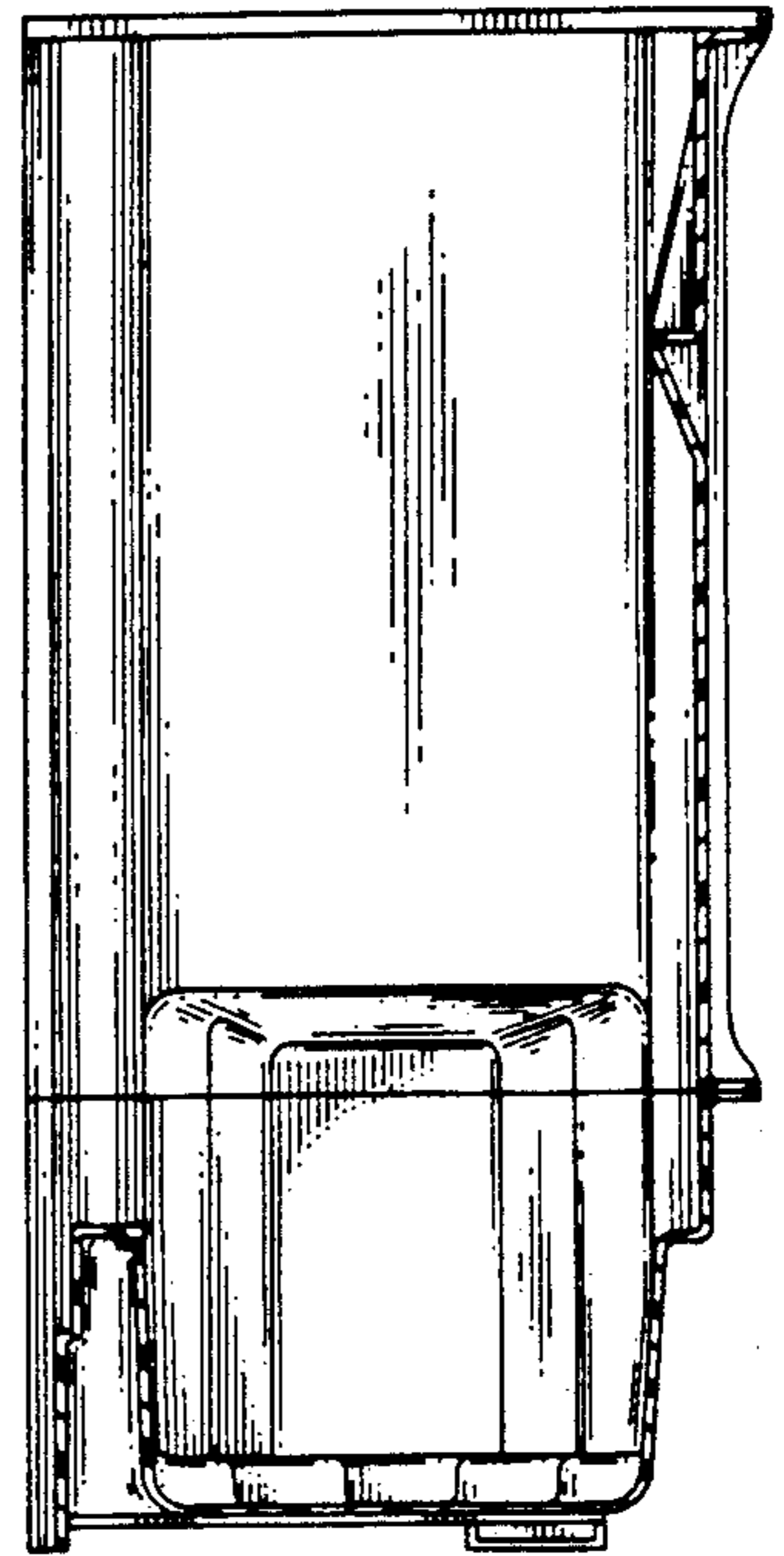


FIG. 9

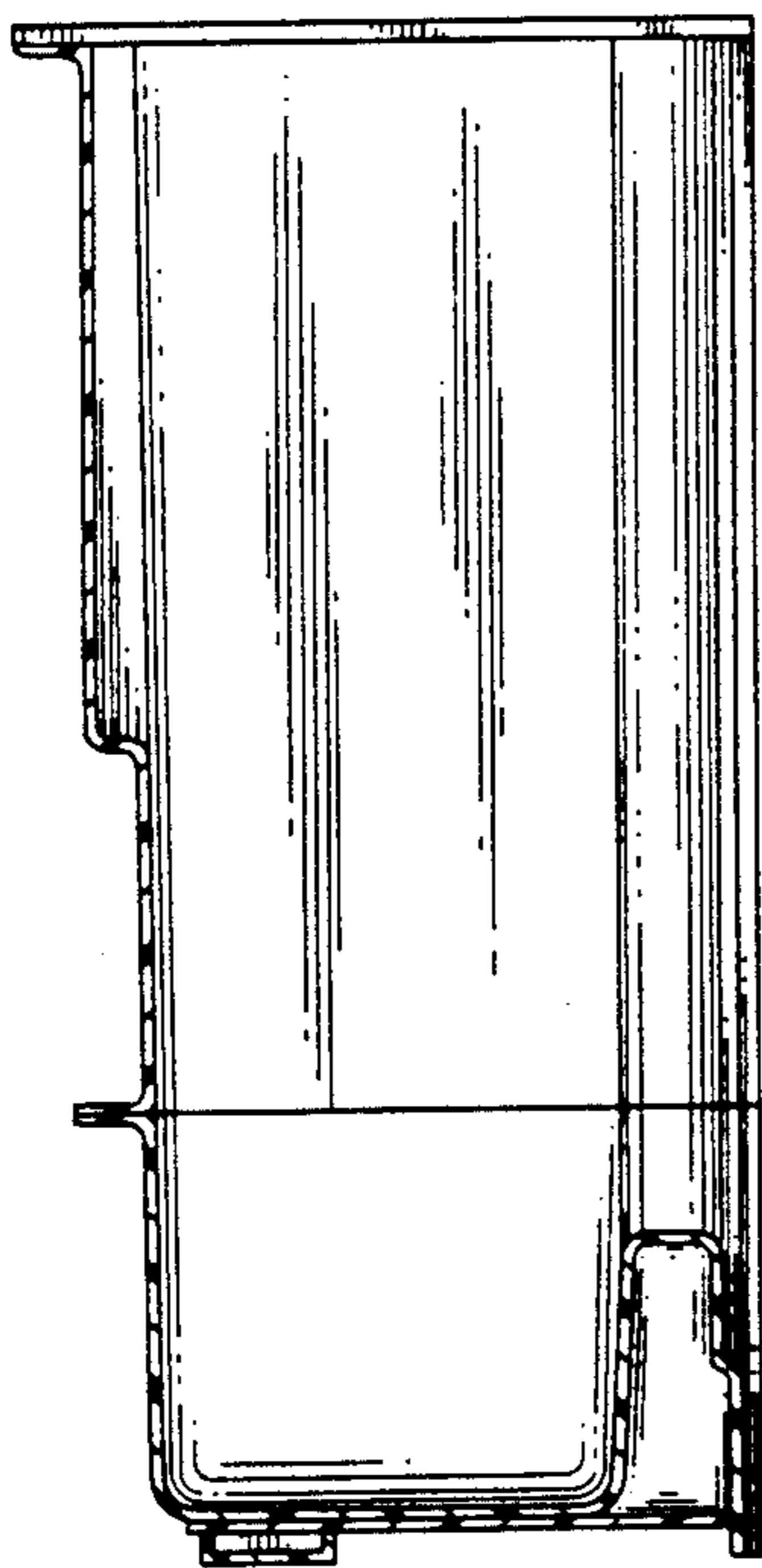


FIG. 10

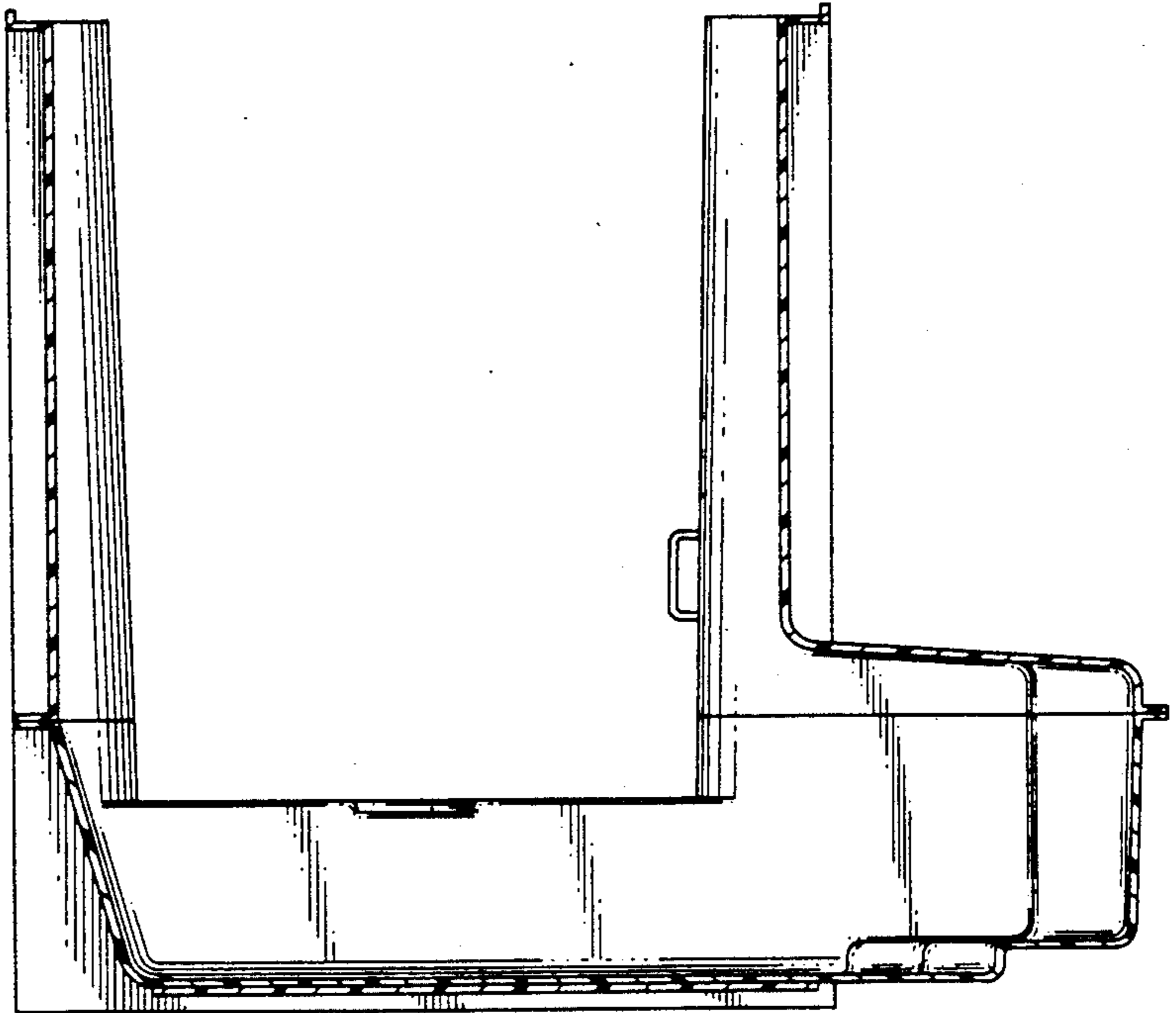


FIG. 8