

[54] **HOSE CLAMP**

[75] **Inventor: Kazuaki Takeuchi, Ohita, Japan**

[73] **Assignee: Chuoh Hatsujyo Kogyo Co., Ltd., Ohita, Japan**

[*] **Notice: The portion of the term of this patent subsequent to Jun. 4, 2005 has been disclaimed.**

[**] **Term: 14 Years**

[21] **Appl. No.: 189,558**

[22] **Filed: May 3, 1988**

[52] **U.S. Cl. D23/265; D8/395; D8/396**

[58] **Field of Search D8/394-396; D23/265; 24/19, 270, 271, 20 R, 20 CW**

[56] **References Cited**

U.S. PATENT DOCUMENTS

D. 274,487 7/1984 Eads et al. D6/553

4,305,179 12/1981 Sakurada 24/20 R
4,380,096 4/1983 Nishida et al. 24/20 R

Primary Examiner—B. J. Bullock
Attorney, Agent, or Firm—Jordan and Hamburg

[57] **CLAIM**

The ornamental design for a hose clamp, as shown and described.

DESCRIPTION

FIG. 1 is a perspective view of a hose clamp showing my new design;
FIG. 2 is a left side view thereof;
FIG. 3 is a right side view thereof;
FIG. 4 is a bottom view thereof;
FIG. 5 is a front elevational view thereof, the rear elevational view being a mirror image of FIG. 5;
FIG. 6 is a top plan view thereof;
FIG. 7 is a sectional view taken in the direction of the arrows on line 7—7 of FIG. 6;
FIG. 8 is a reduced perspective view thereof, the broken lines being for illustrative purposes only.

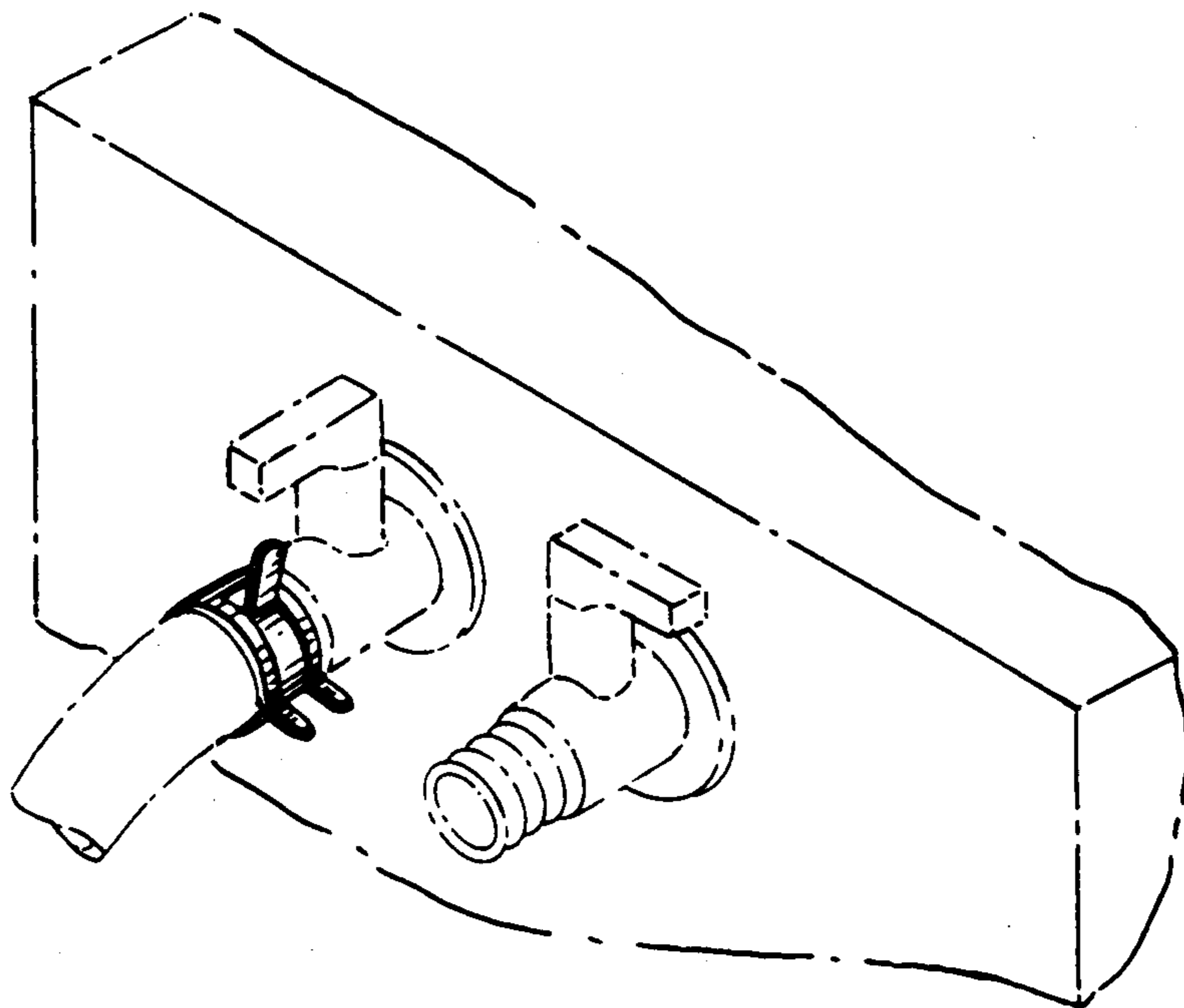
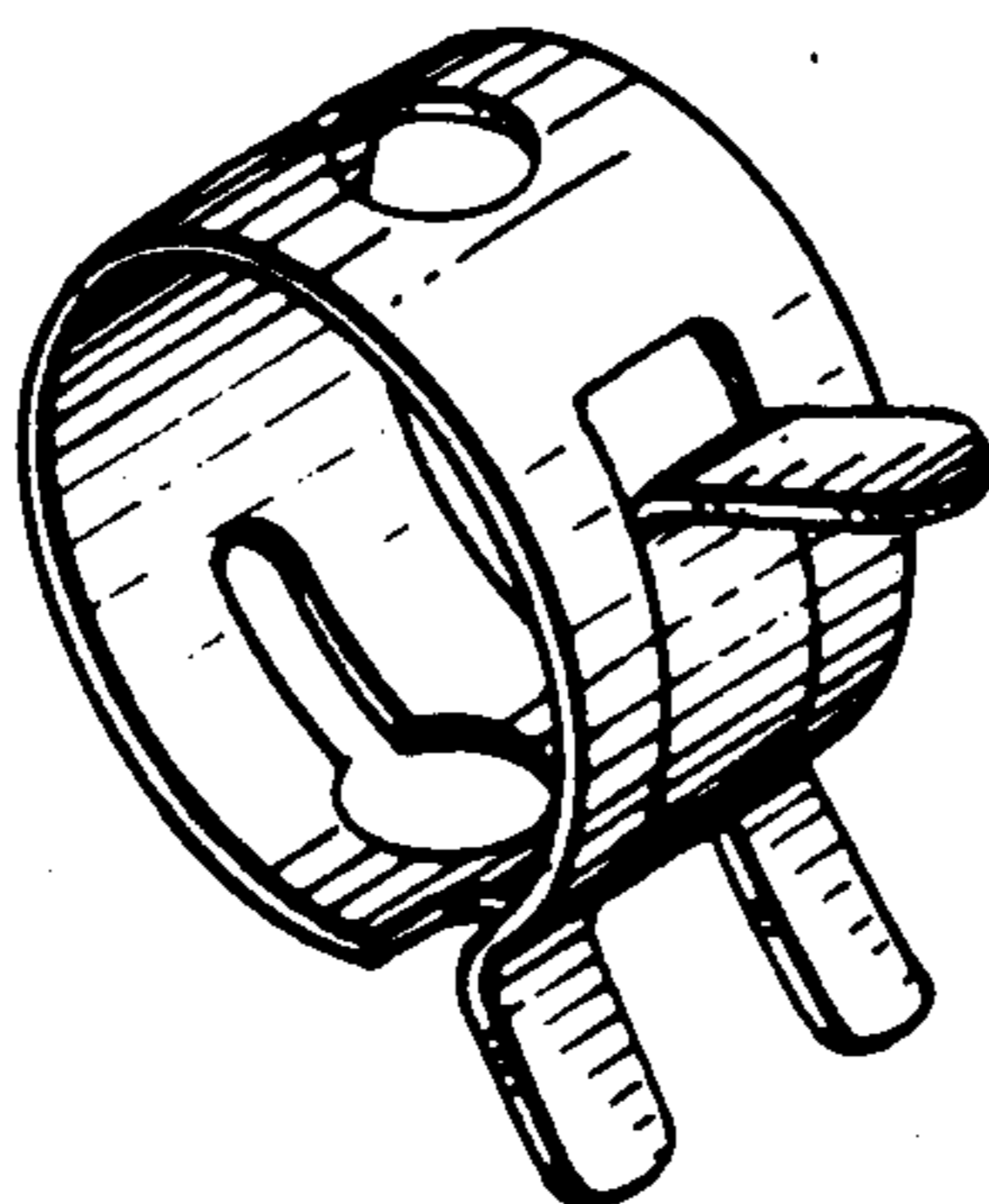


FIG. 1

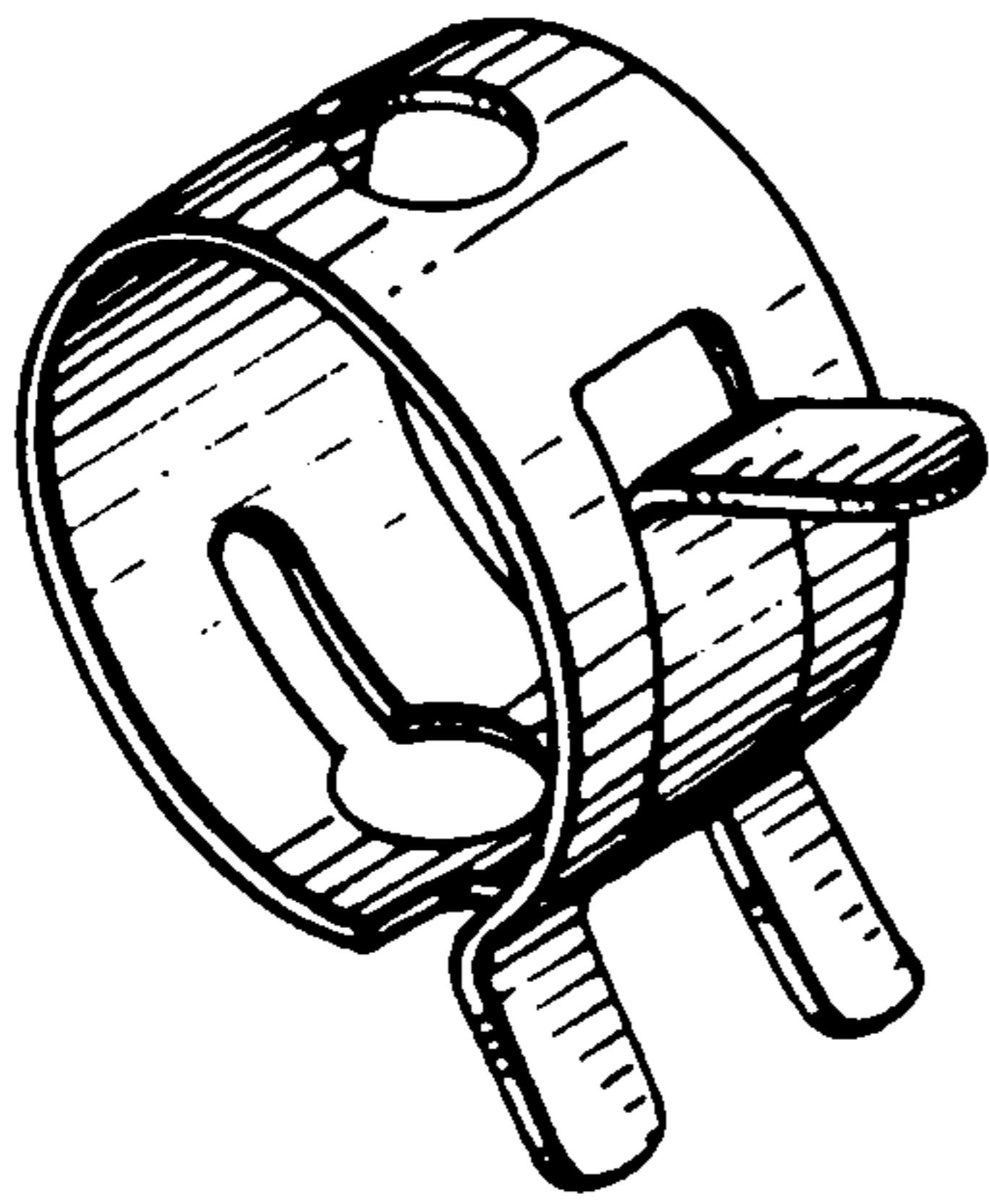


FIG. 2

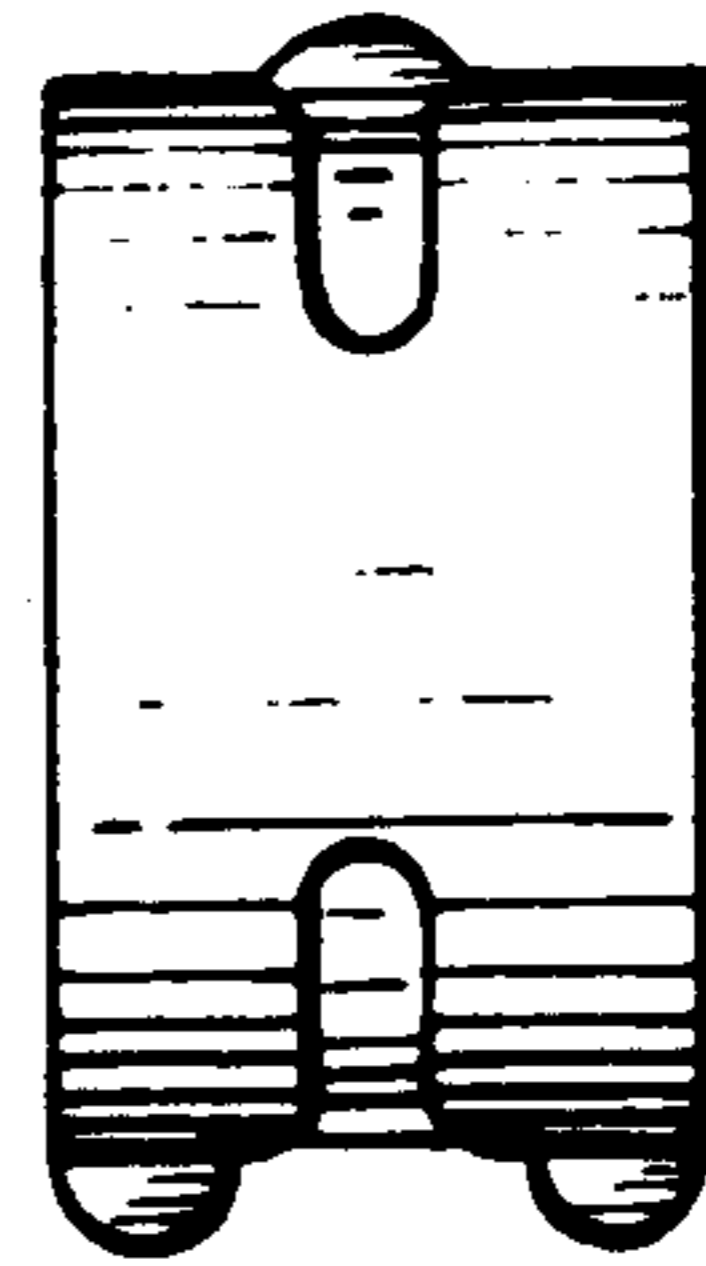


FIG. 3

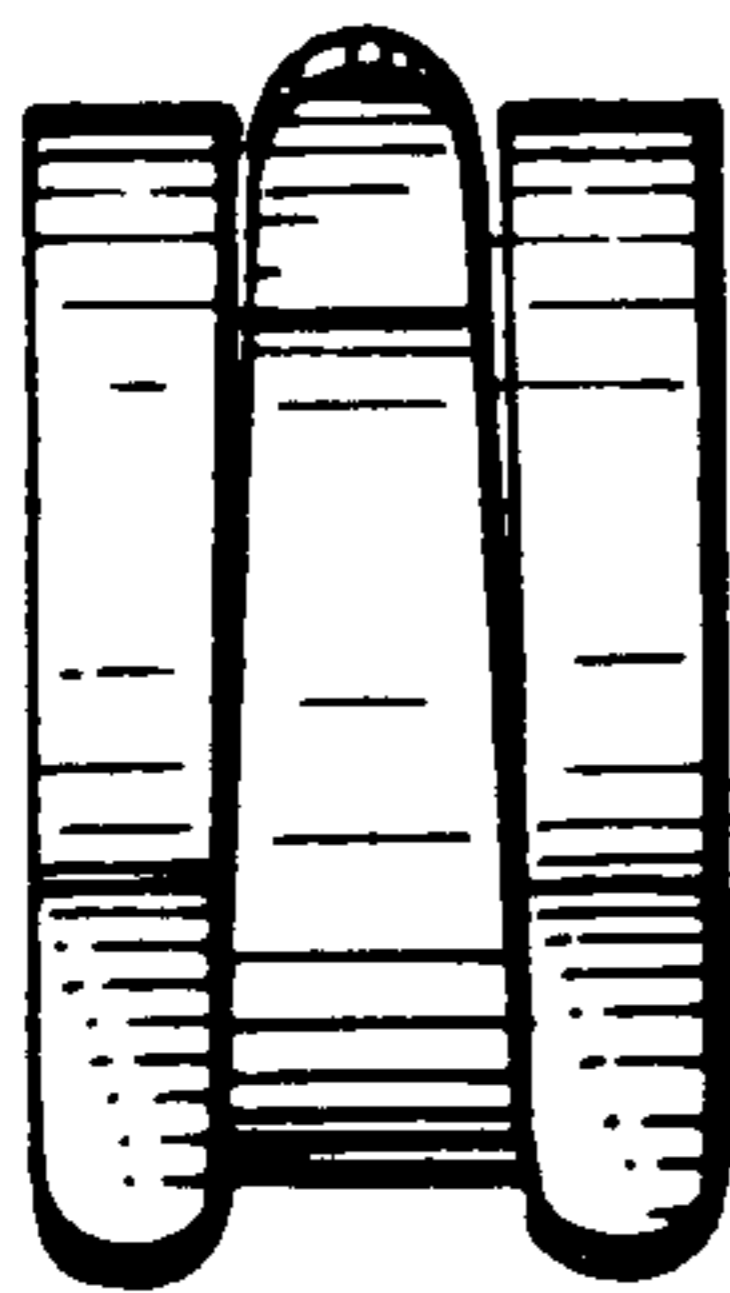


FIG. 4

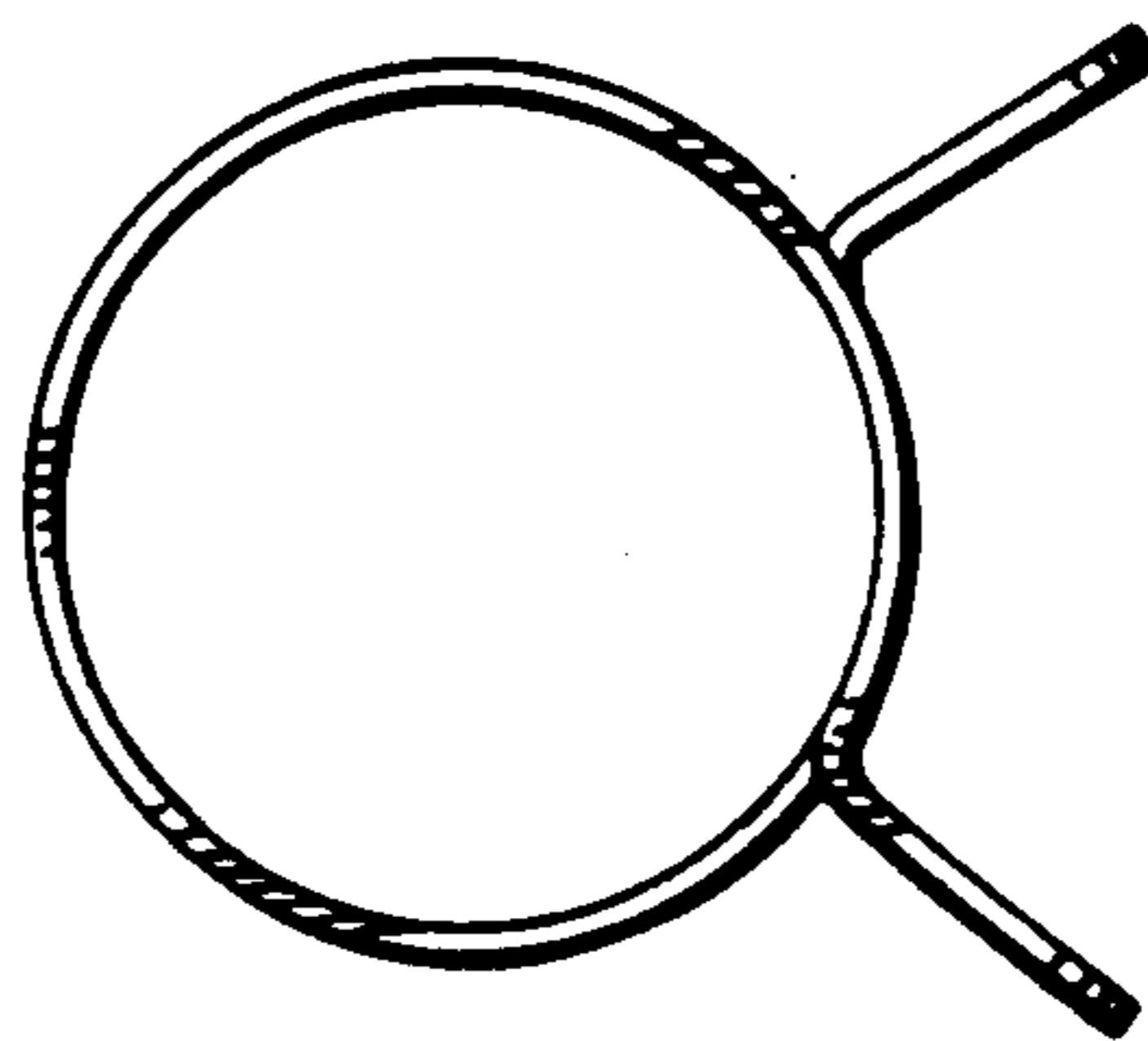
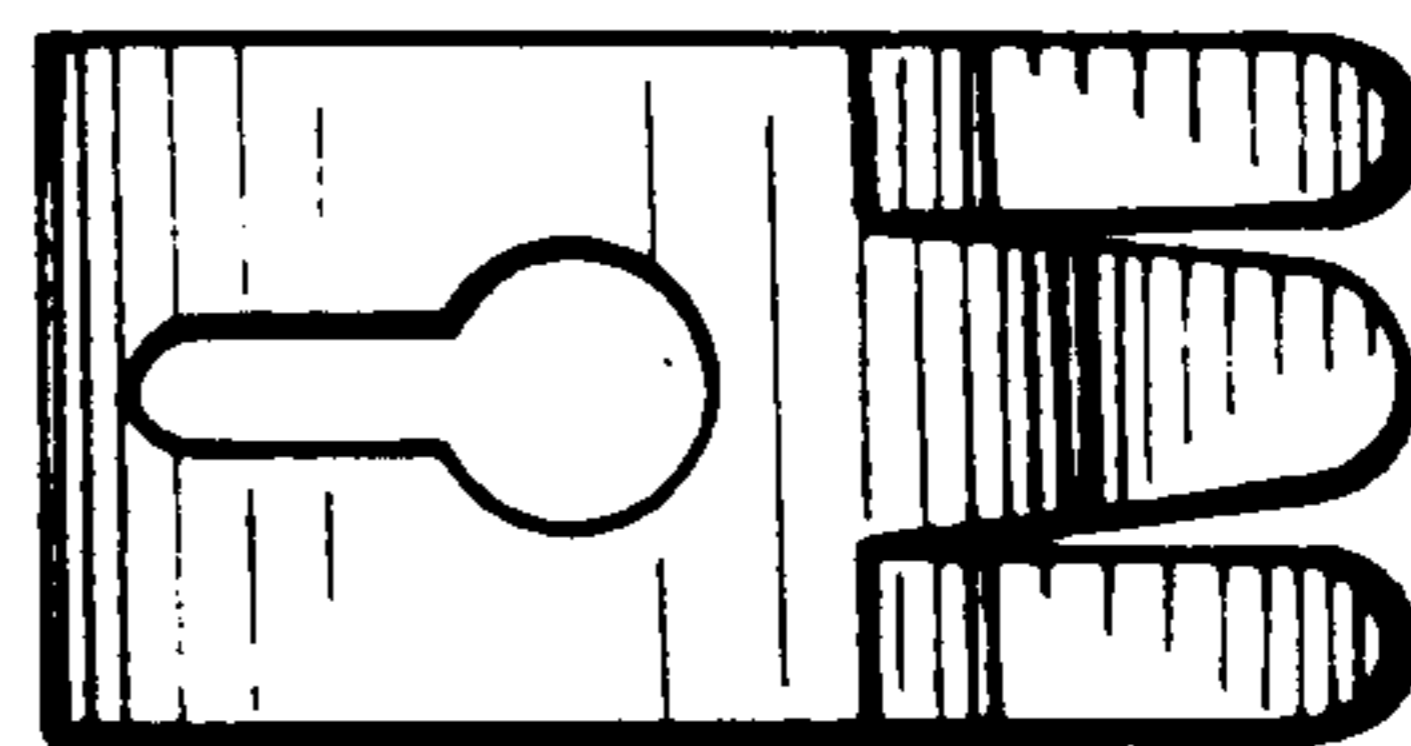


FIG. 5

FIG. 6

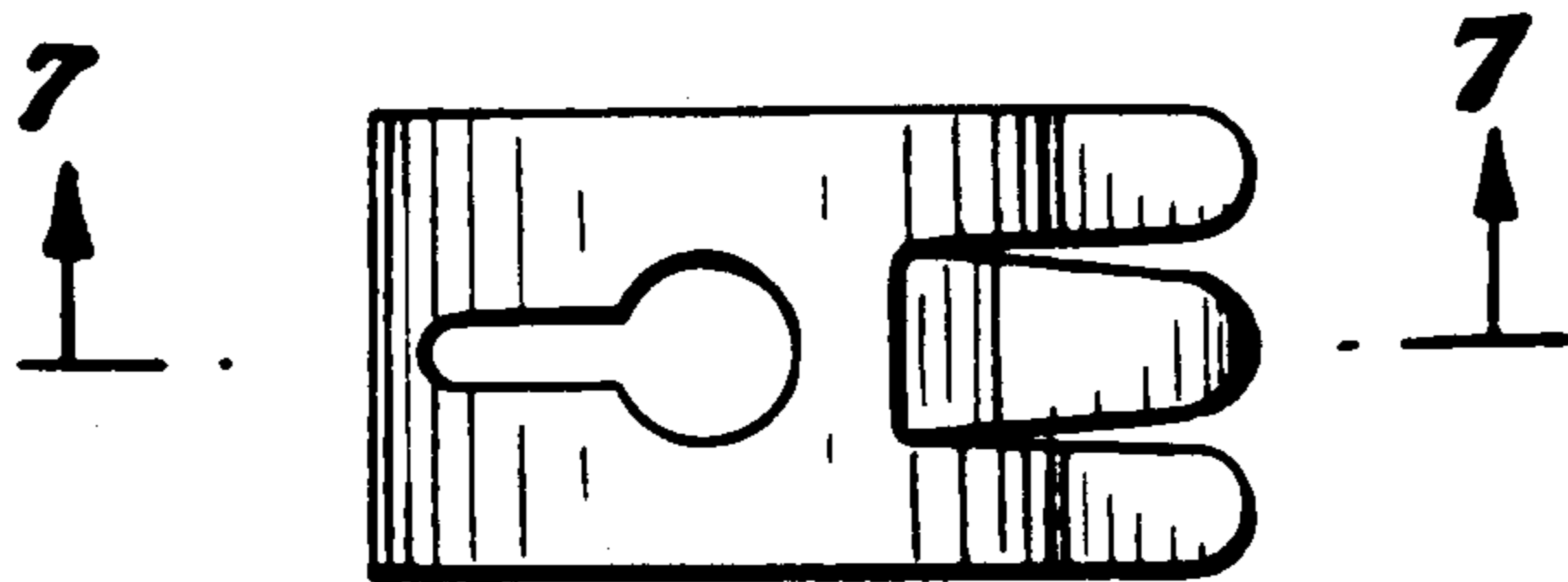


FIG. 7

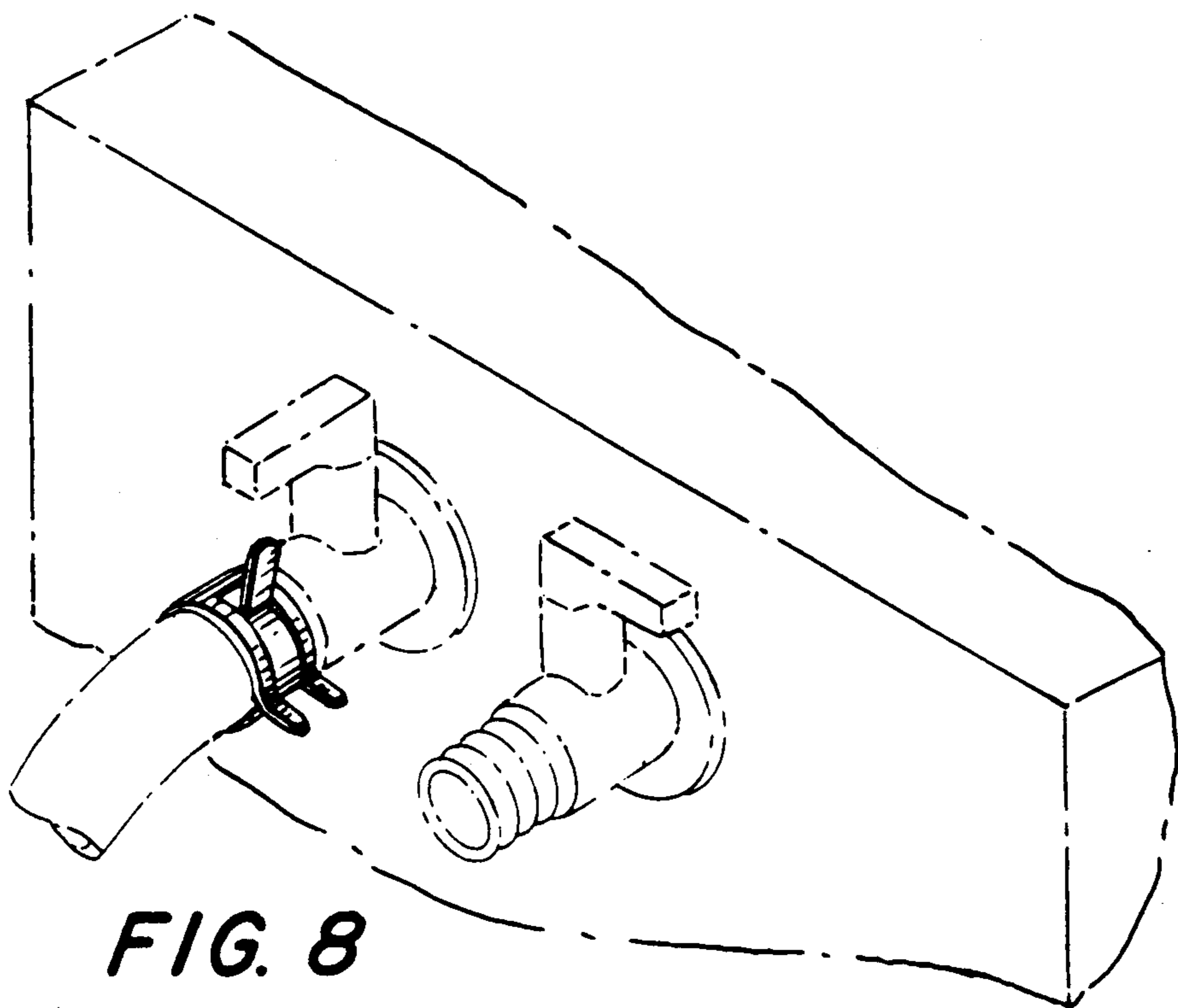
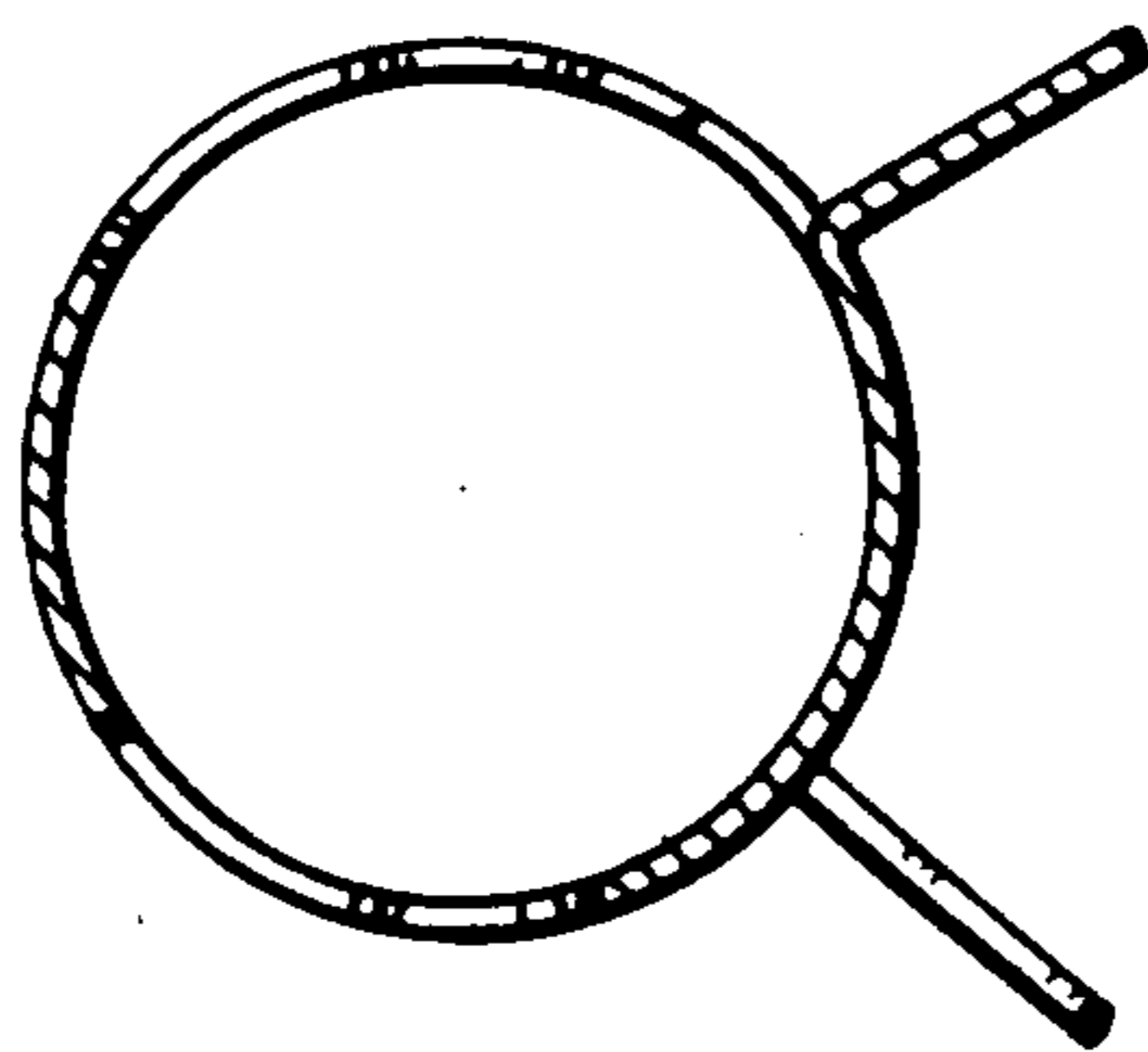


FIG. 8