

[54] TUB SPOUT

[75] Inventor: Marvin Freed, Toronto, Canada

[73] Assignee: Brass-Craft Manufacturing Company, Southfield, Mich.

[**] Term: 14 Years

[21] Appl. No.: 252,716

[22] Filed: Oct. 3, 1988

[52] U.S. Cl. D23/257

[58] Field of Search D23/238-243, D23/255-257; 4/191, 192; 137/801

[56] References Cited

U.S. PATENT DOCUMENTS

- D. 198,830 8/1964 Armstrong D23/255
- D. 218,034 7/1970 Morgerson et al. D23/257
- D. 227,889 7/1973 Rauh D23/255
- D. 295,664 5/1988 Kohler, Jr. et al. D23/255

OTHER PUBLICATIONS

Bathroom Jewelry, Inc., brochure, Model SRW-8 and Model SRW-11.

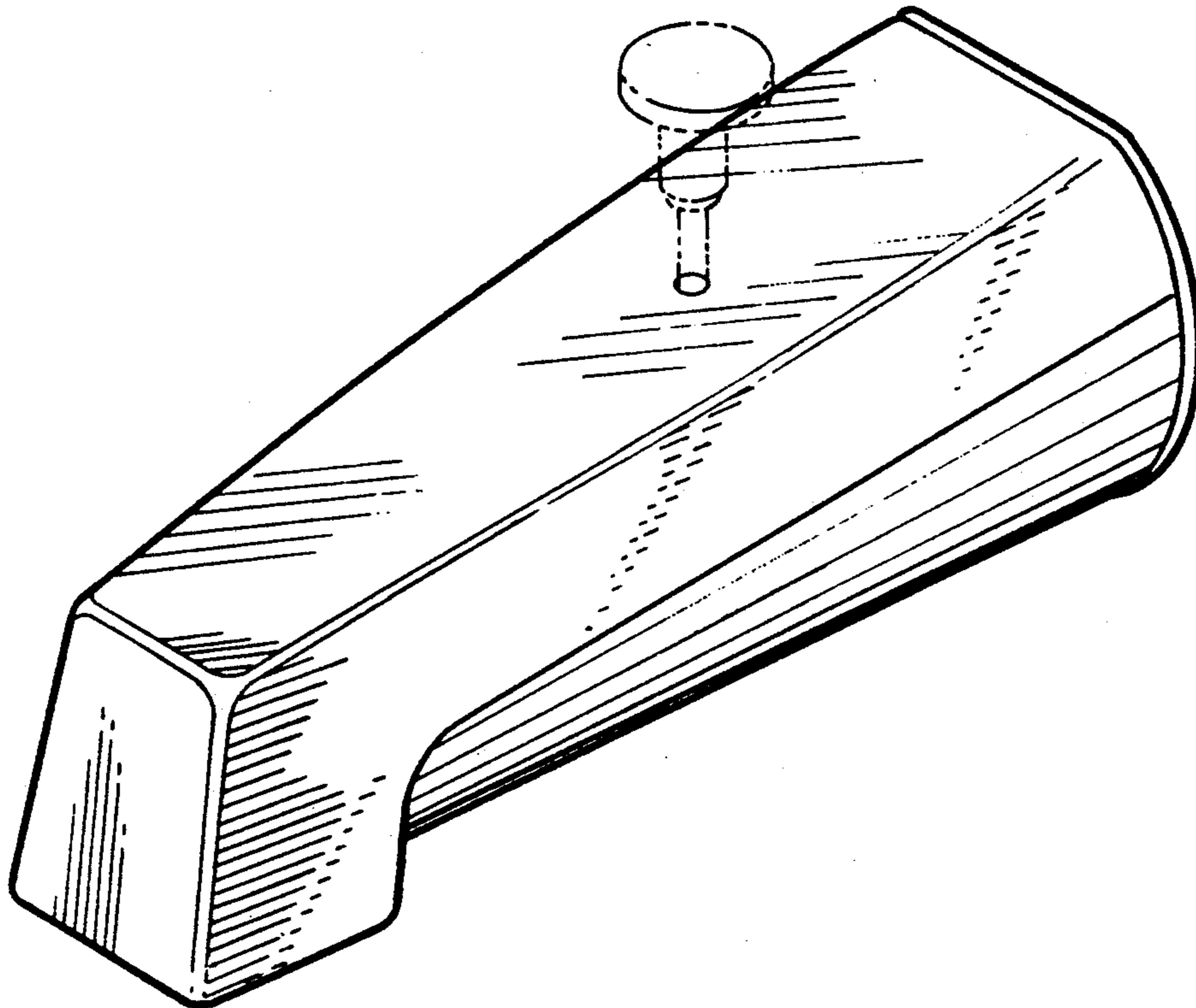
Primary Examiner—James R. Largen
Attorney, Agent, or Firm—Myron B. Kapustij; Edgar A. Zarins; Malcolm L. Sutherland

[57] CLAIM

The ornamental design for a tube spout, as shown and described.

DESCRIPTION

FIG. 1 is a front perspective view of a tub spout showing my new design;
FIG. 2 is a right side elevational view thereof, the left side being a mirror image of the right side shown;
FIG. 3 is a front elevational view thereof;
FIG. 4 is a top plan view thereof; and
FIG. 5 is a bottom plan view thereof.
The broken line representation of a diverter button in FIGS. 1 through 4 is for purposes of illustration only and forms no part of the claimed design.



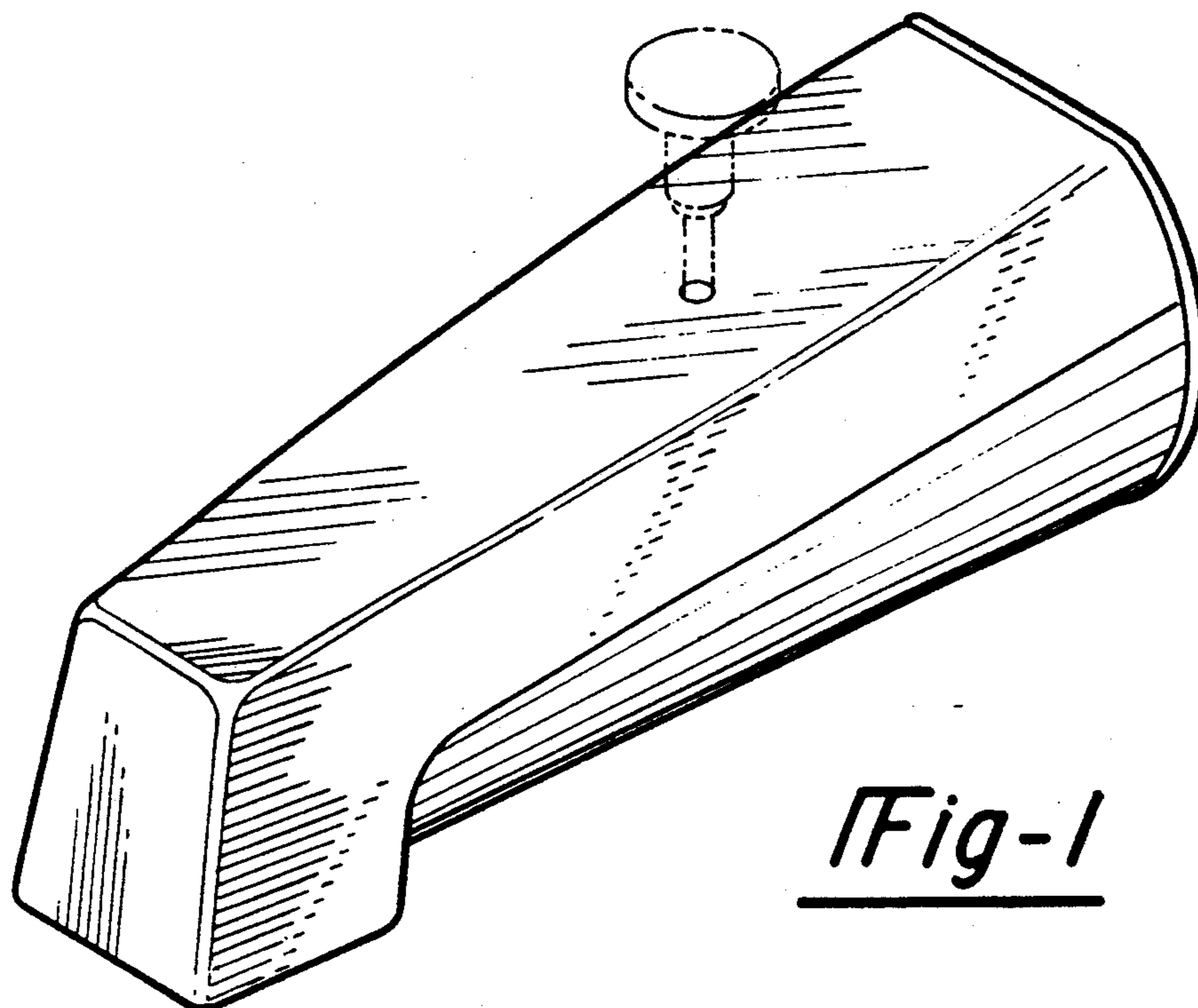


Fig-1

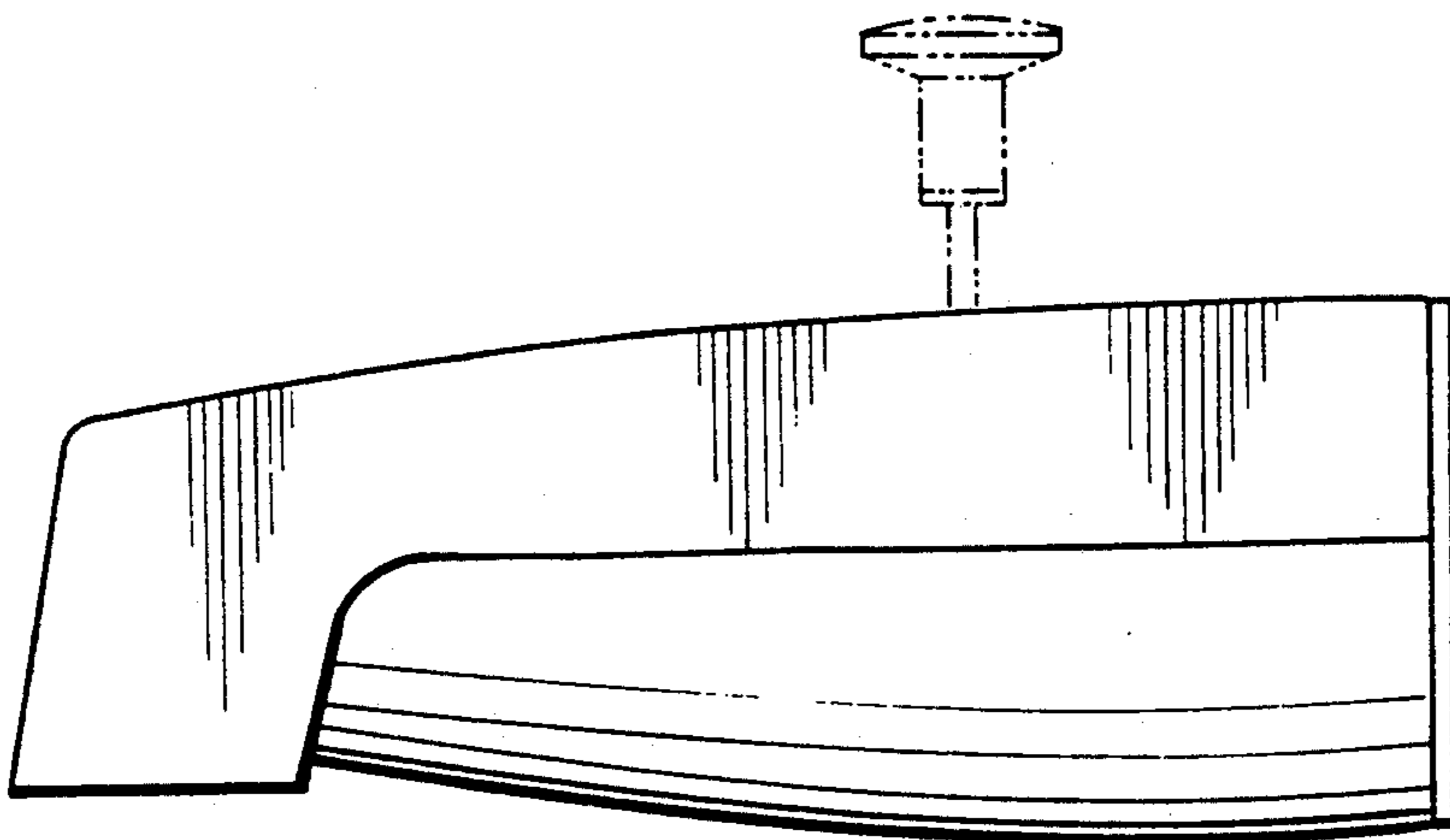


Fig-2

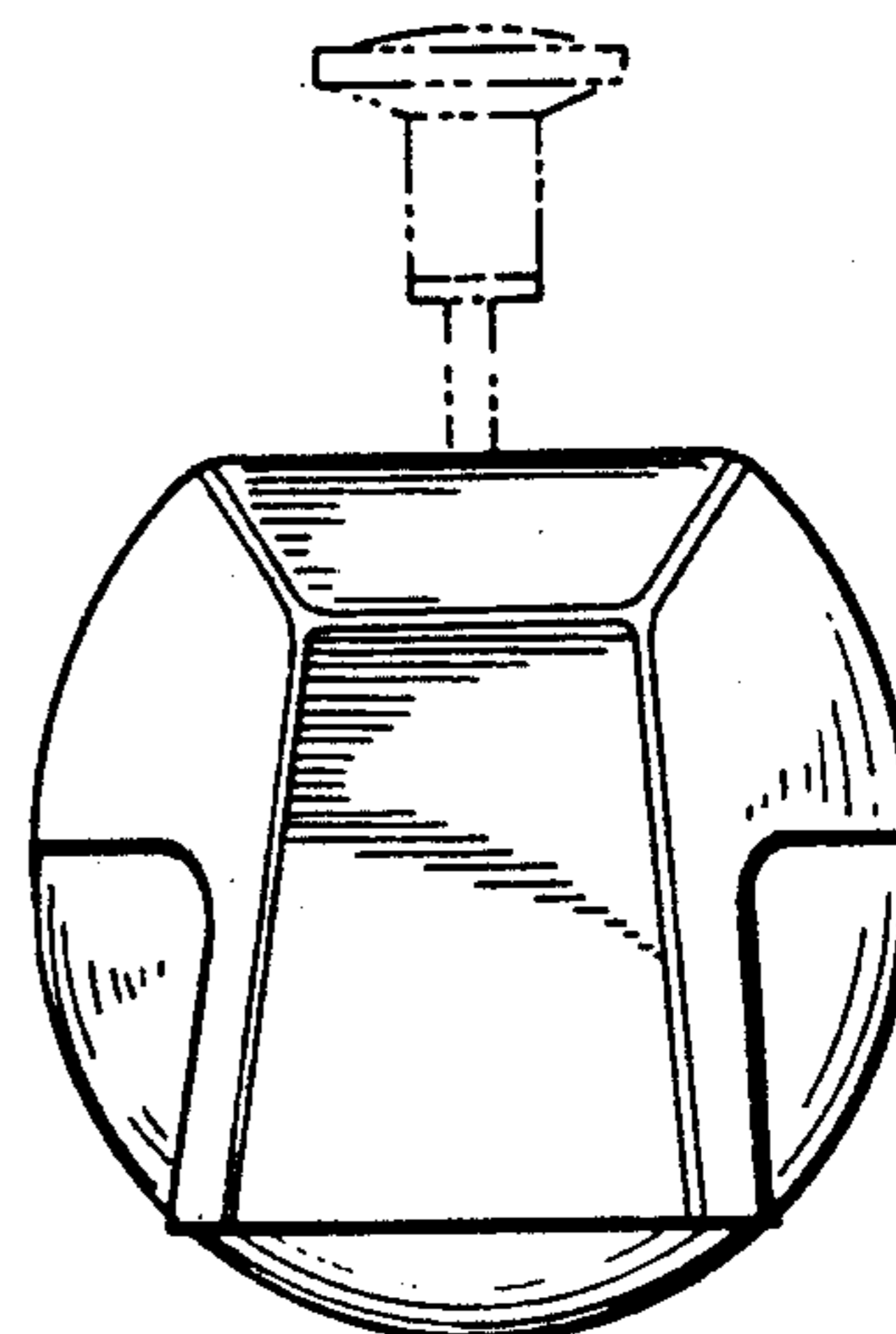


Fig-3

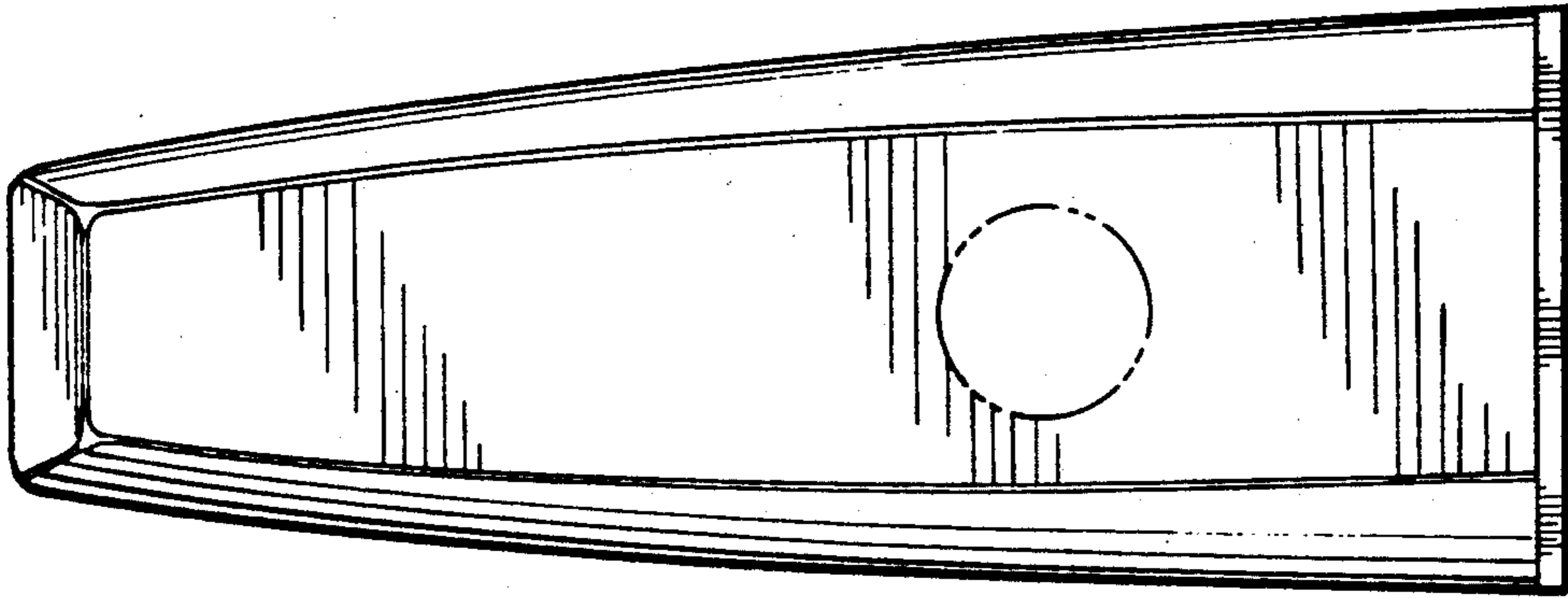


Fig-4

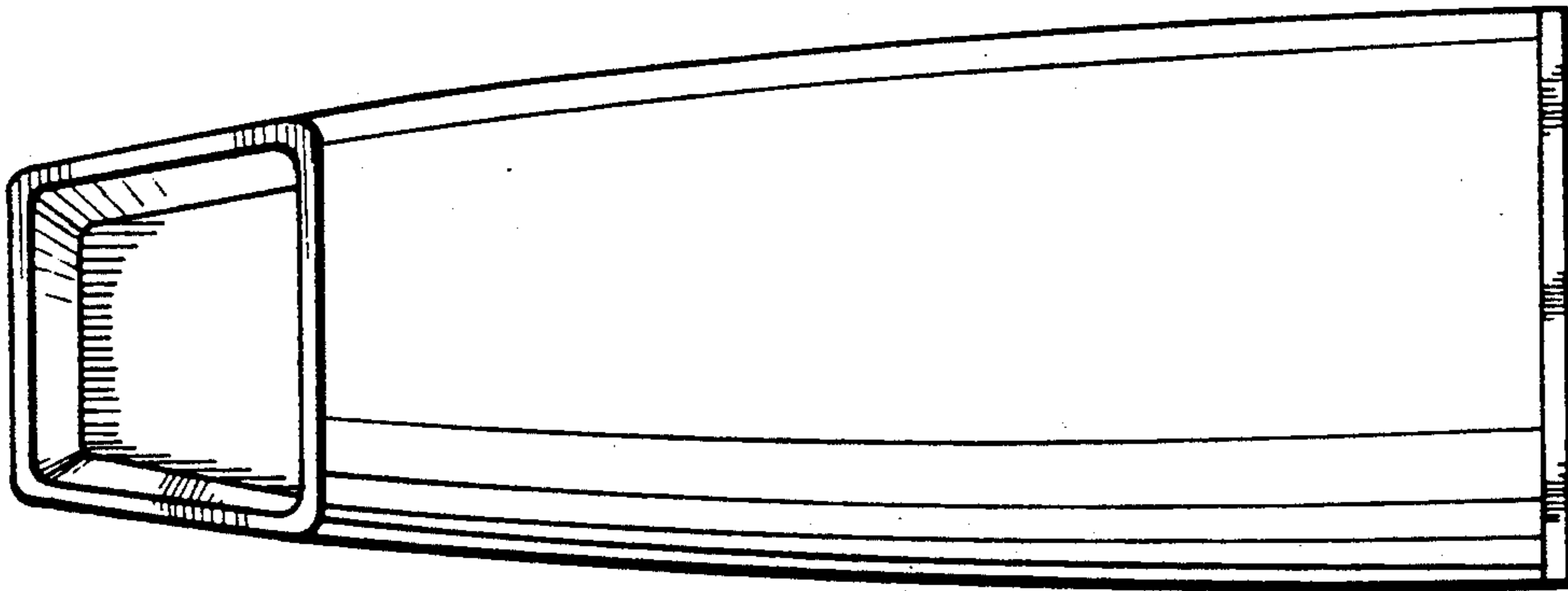


Fig-5