

[54] AERATOR SPRAY FOR LIVE WELL WATER RENEWAL SYSTEMS

[75] Inventor: Warwick M. Whitley, II, Panama City, Fla.

[73] Assignee: Attwood Corporation, Lowell, Mich.

[\*\*] Term: 14 Years

[21] Appl. No.: 209,472

[22] Filed: Jun. 13, 1988

[52] U.S. Cl. .... D23/213

[58] Field of Search ..... D23/213; 239/428.5, 239/597, 589

shank nozzles, item 8121-NY, located at top, right side of page.

P. 4, The Rule Group 1988 Catalog. Pp. 11 and 12, Mayfair Catalog, 1988.

Primary Examiner—Wallace R. Burke  
Assistant Examiner—Hary H. Baynham  
Attorney, Agent, or Firm—Price, Heneveld, Cooper, DeWitt & Litton

[57] CLAIM

The ornamental design for an aerator spray for live well water renewal systems, as shown and described.

[56] References Cited

U.S. PATENT DOCUMENTS

D. 148,411	1/1948	Gimelli	.....	D23/213
D. 308,411	6/1990	Allemann et al.	.....	D23/229
2,837,323	6/1958	Goodrie	.....	239/428.5 X
2,871,059	1/1959	O'Brien	.....	D23/229 X
2,941,729	6/1960	Goodrie	.....	239/428.5 X
2,964,248	12/1960	O'Brien et al.	.....	239/597 X
3,799,450	3/1974	Braukman	.....	239/428.5
4,588,131	5/1986	Yamamoto et al.	.....	239/428.5

OTHER PUBLICATIONS

Teejet Catalog 38A, Dec. 27, 1985, p. 30, nylon hose

DESCRIPTION

FIG. 1 is a front, top, perspective view of an aerator spray for live well water renewal systems, showing my new design;

FIG. 2 is a rear, top, perspective view thereof;

FIG. 3 is a rear, elevational view thereof;

FIG. 4 is a left side, elevational view thereof, it being understood that the right side is a mirror image of this view;

FIG. 5 is a top, plan view thereof;

FIG. 6 is a bottom, plan view thereof; and

FIG. 7 is a front, elevational view thereof.

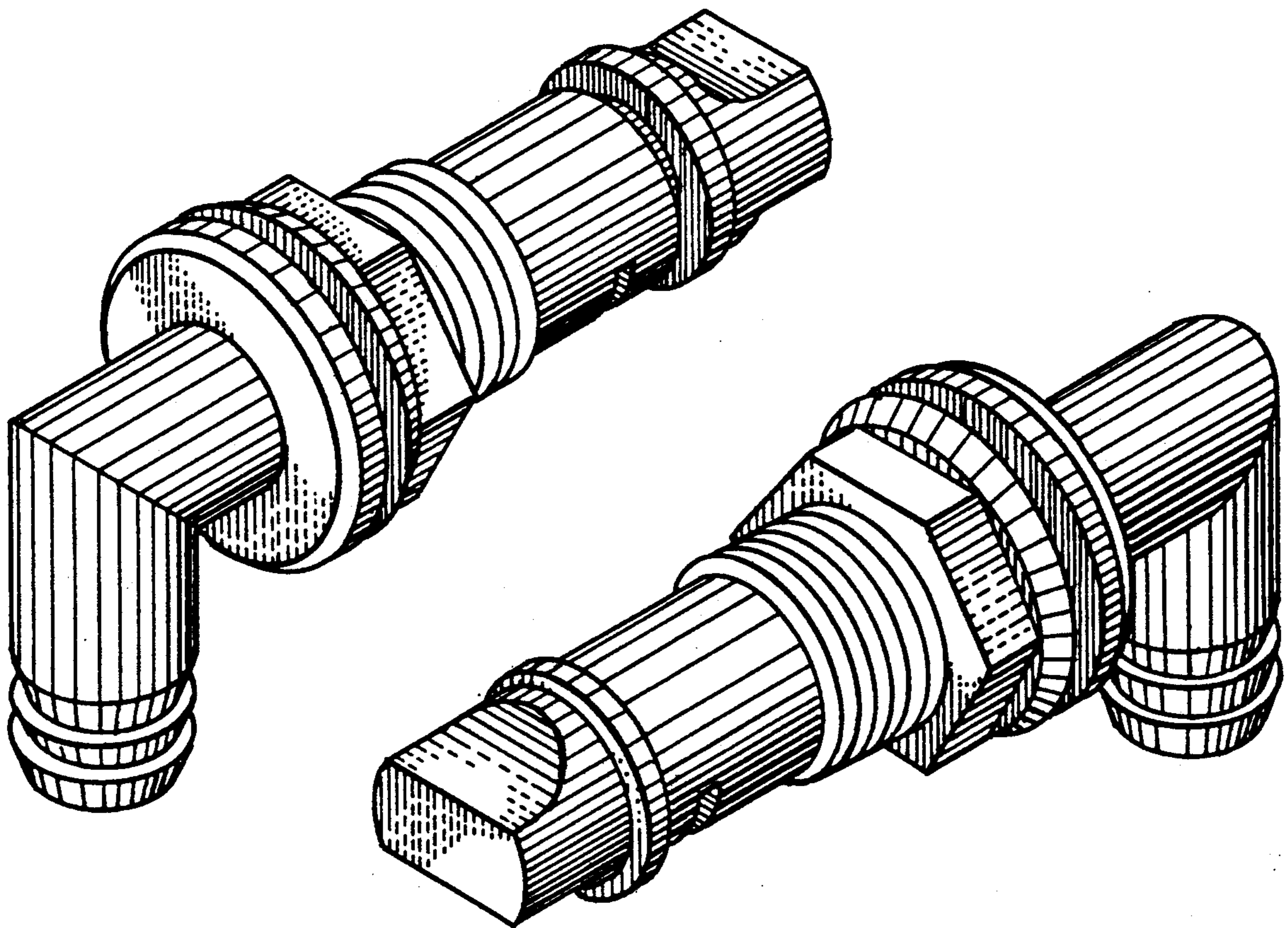


FIG. 2

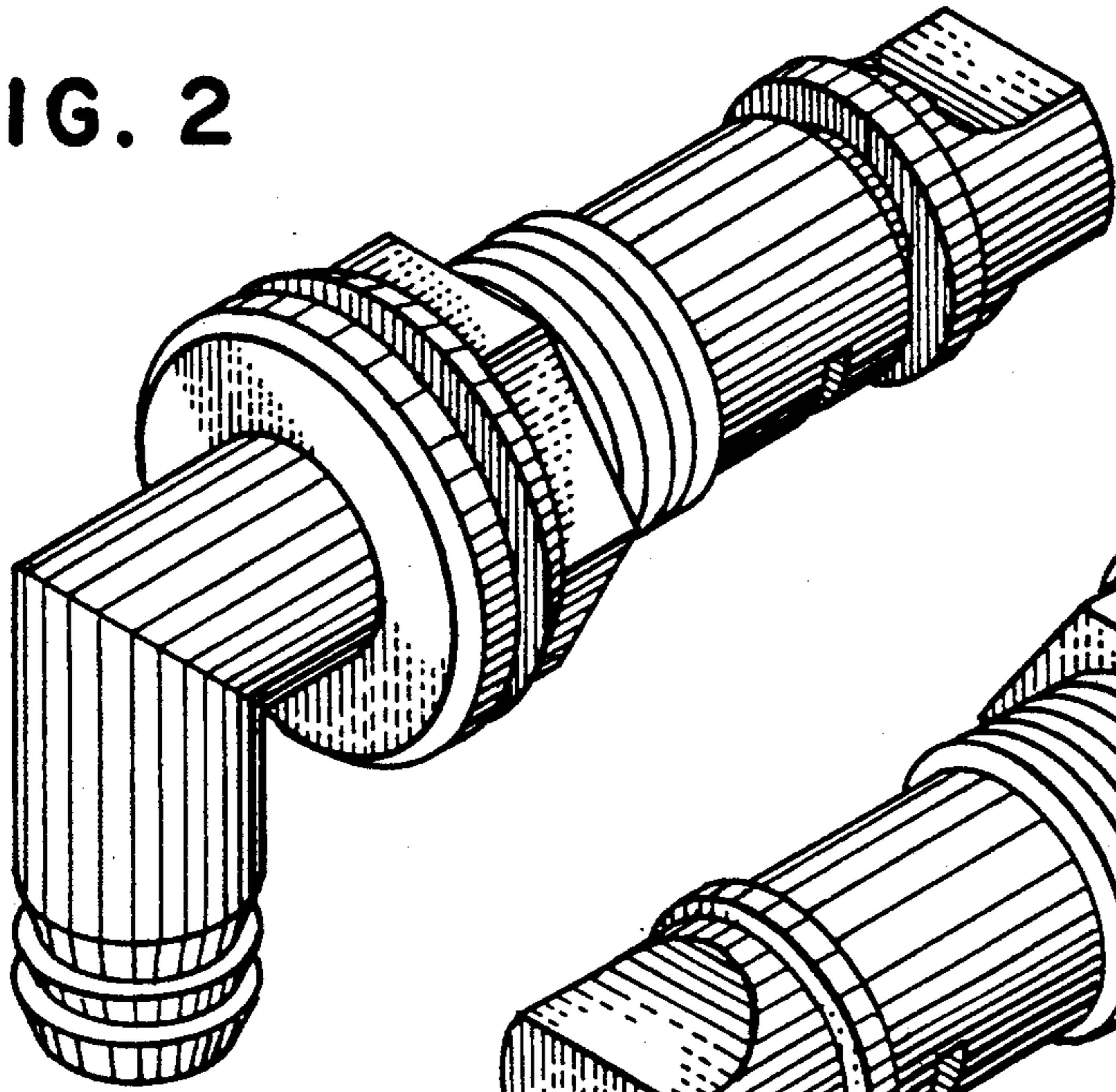


FIG. 1

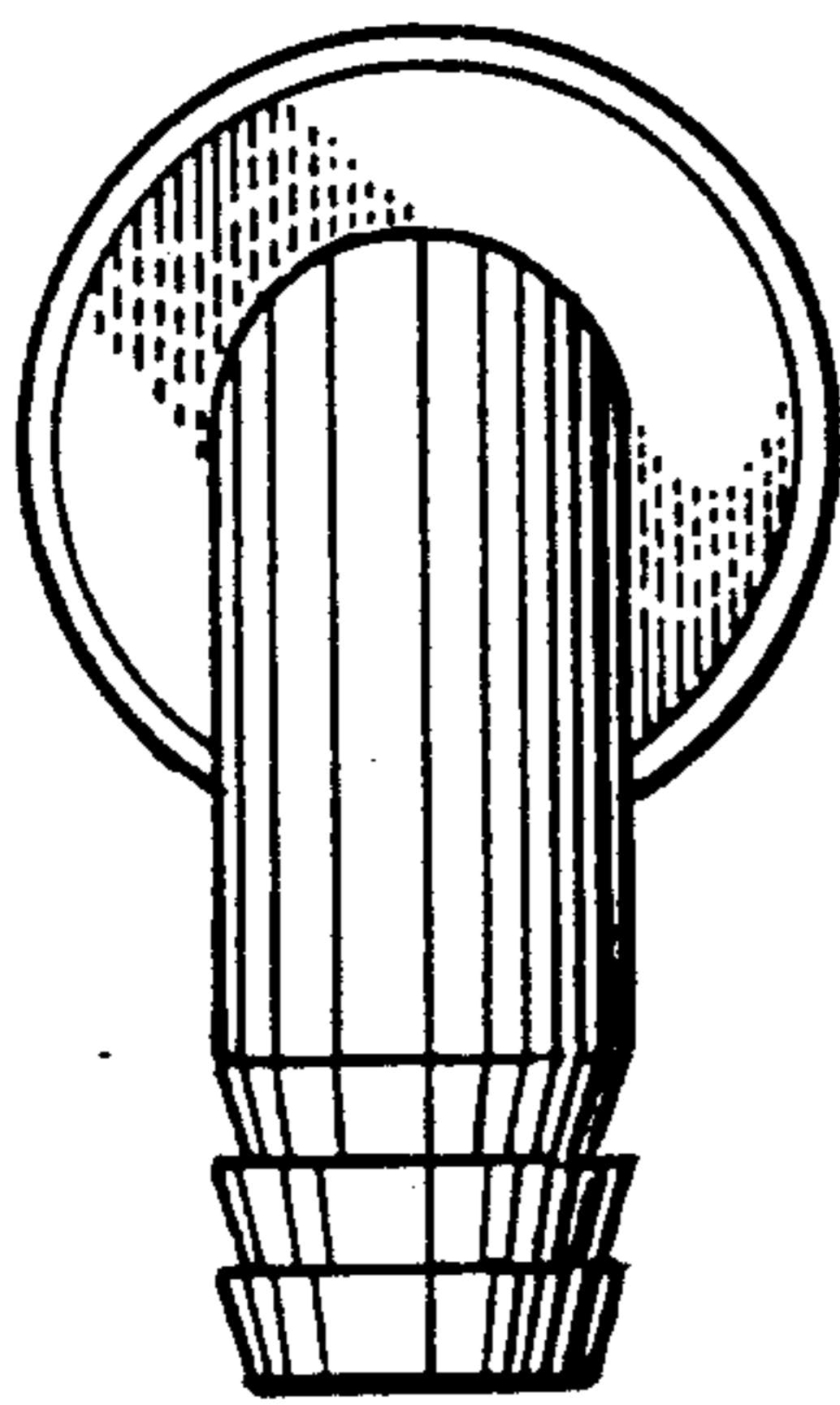
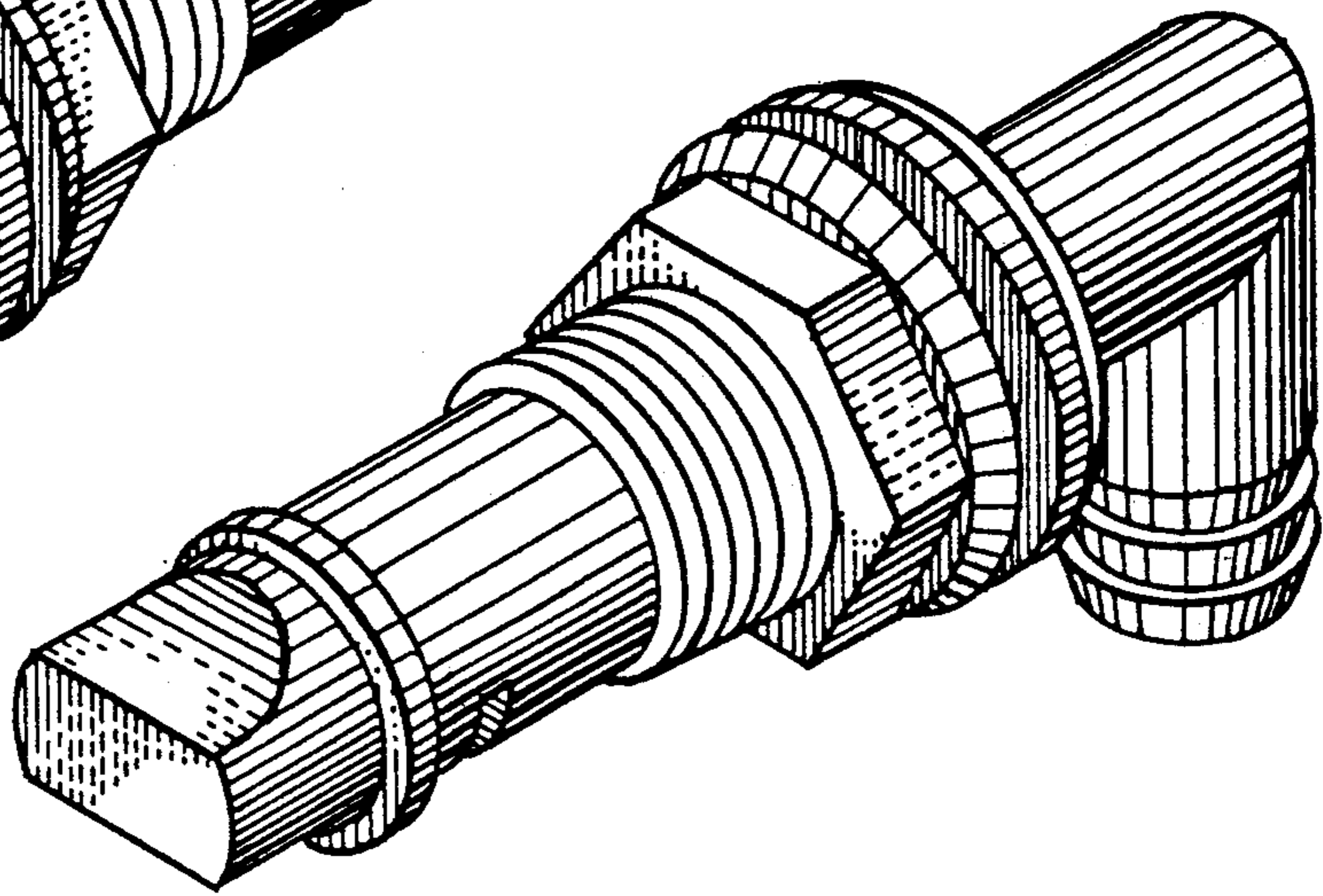


FIG. 3

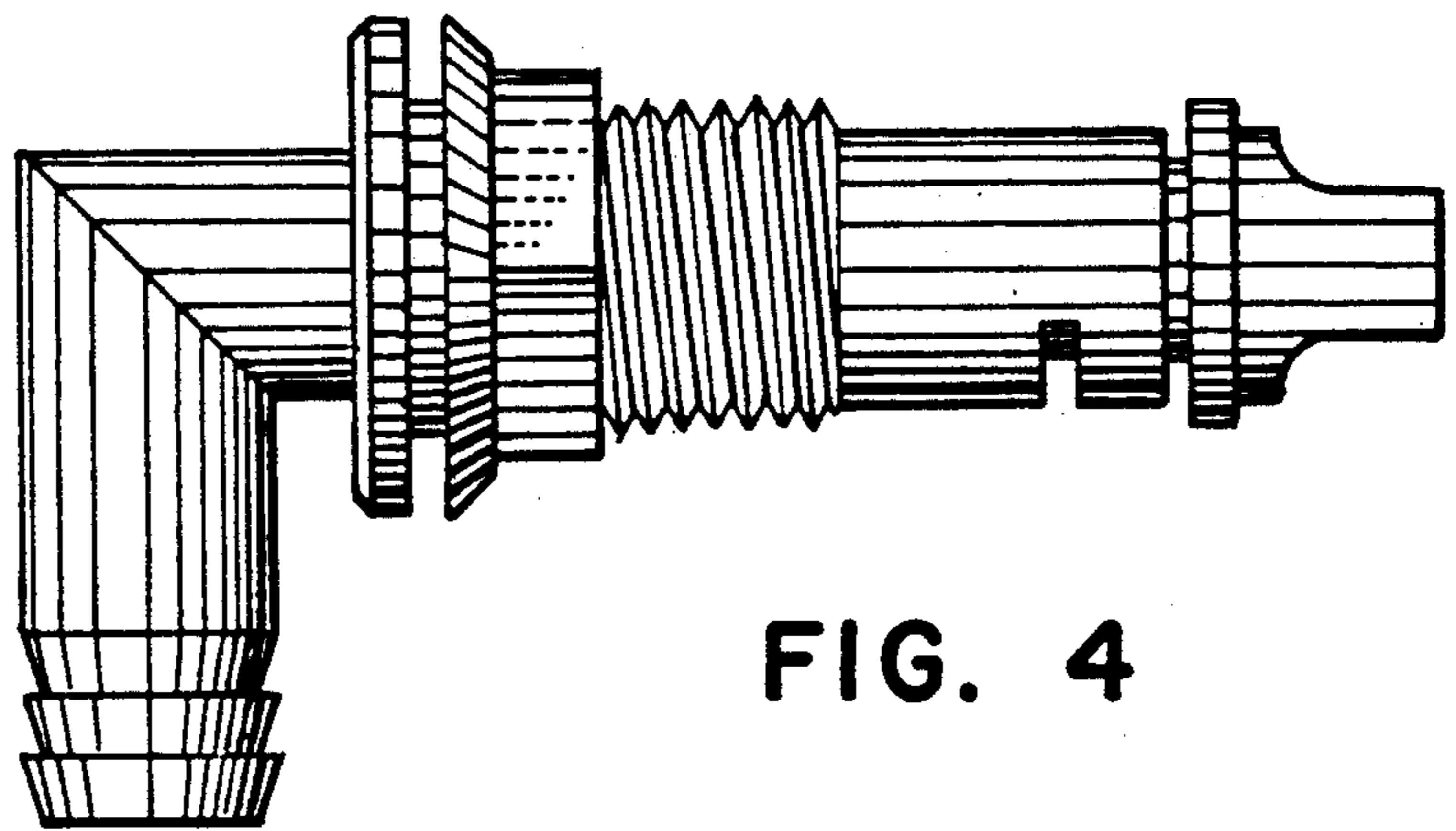


FIG. 4

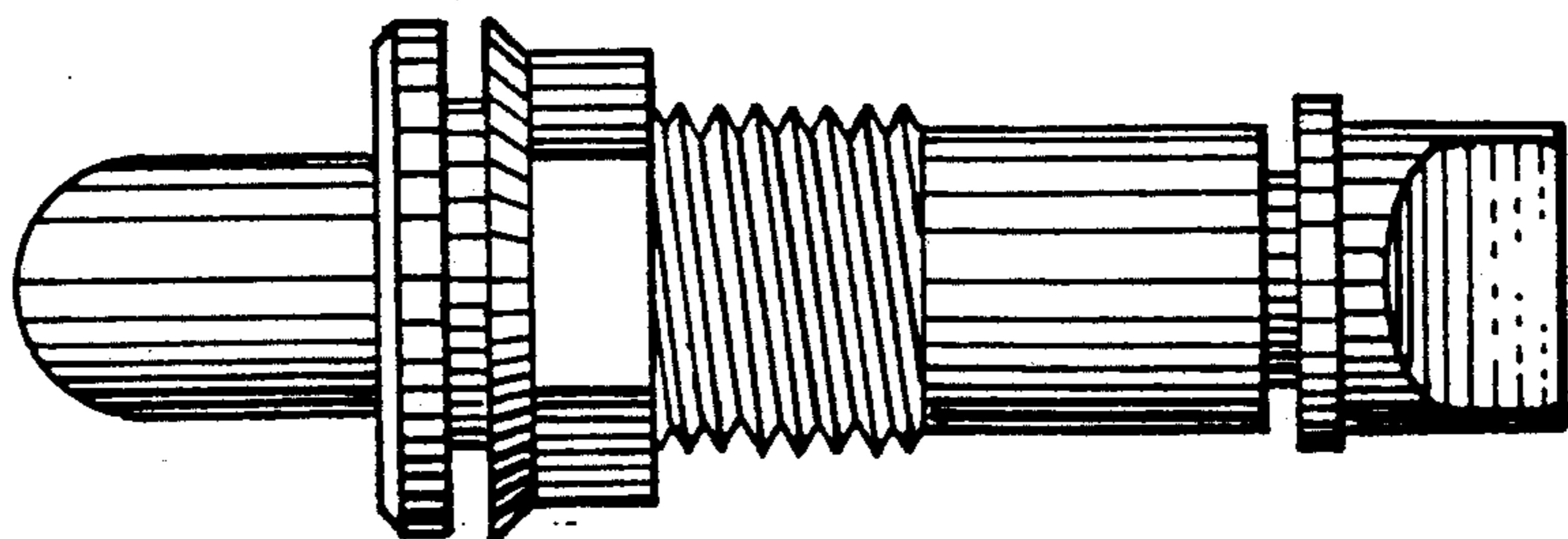


FIG. 5

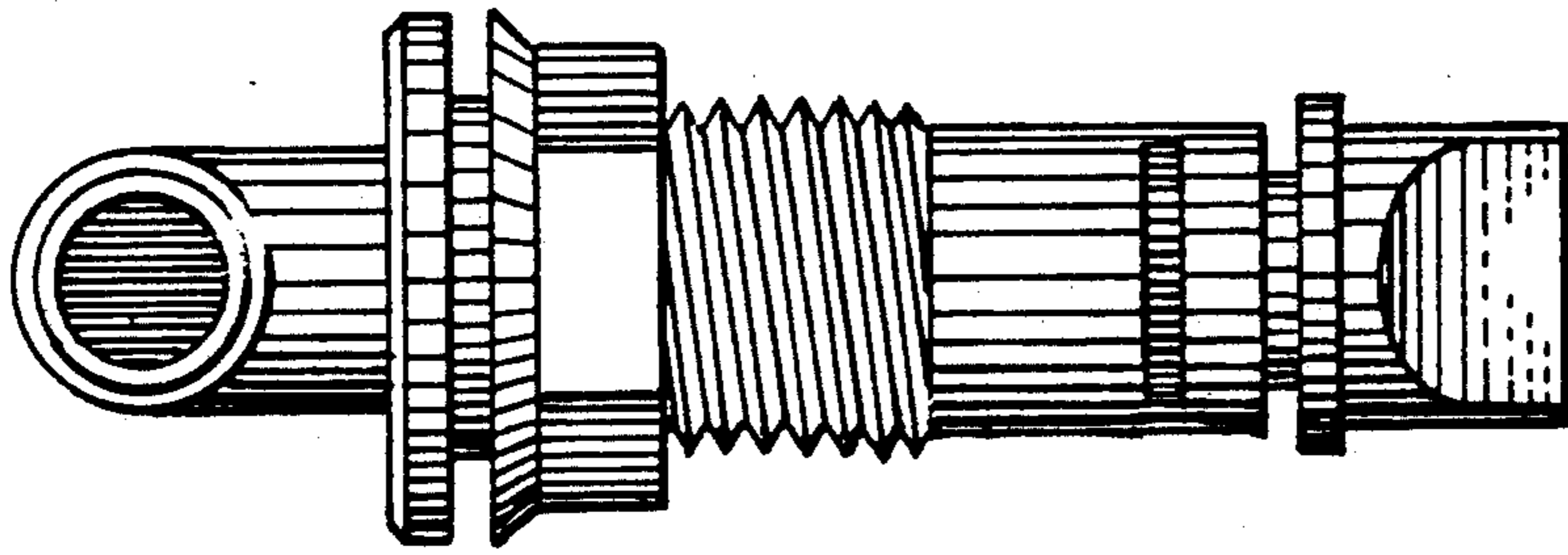


FIG. 6

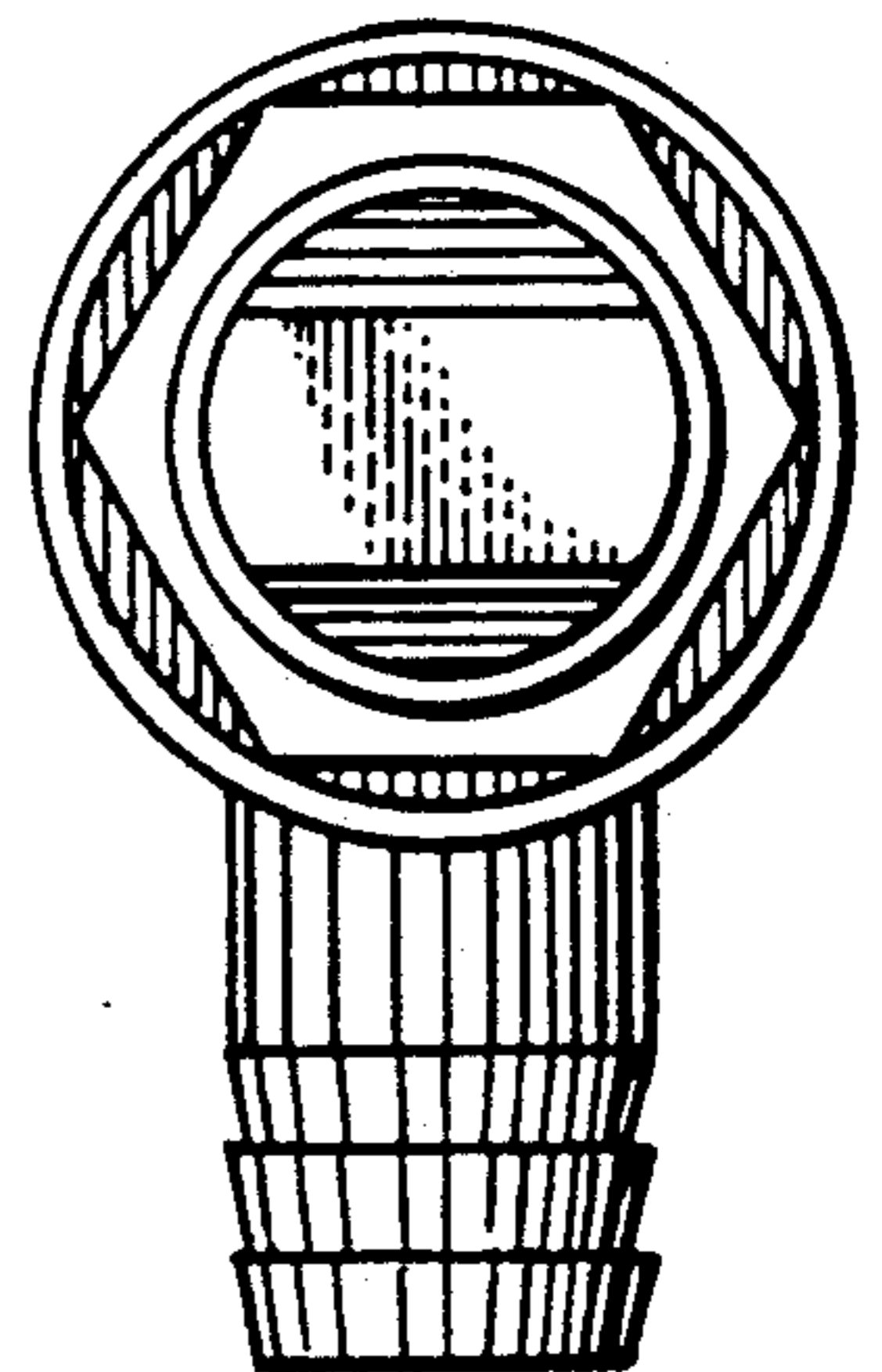


FIG. 7