

[54] **TELESCOPIC SIGHT MOUNT**

[75] **Inventor:** Harry R. Klumpp, South Gate, Calif.
 [73] **Assignee:** Fontaine Industries, Inc., Long Beach, Calif.
 [**] **Term:** 14 Years
 [21] **Appl. No.:** 270,495
 [22] **Filed:** Nov. 14, 1988
 [52] **U.S. Cl.** D22/110
 [58] **Field of Search** D22/110, 109;
 42/100-102; 33/247-250, 252, 258, 245, 261

[56] **References Cited**
U.S. PATENT DOCUMENTS

D. 239,114	3/1976	Kraai	D22/109
D. 249,538	9/1978	Weast	D22/110
2,117,634	5/1938	Smith	33/248
2,653,386	9/1953	Winton	33/248
2,777,202	1/1957	Conte	33/245
2,782,507	2/1957	Fallon et al.	33/249
2,854,748	10/1958	Williams	33/248
3,835,565	9/1974	Weast	33/245 X
4,446,644	5/1984	Jimenez et al.	33/250 X
4,703,576	11/1987	Burriss	33/247 X

OTHER PUBLICATIONS

P&S Sales, Spring/Summer 1971, p. 40, Rifle Scope Mounts by Jason.
 Savage Sporting Arms of Ammunition, p. 14, Weaver Design Telescopic Sights.
Primary Examiner—A. Hugo Word
Assistant Examiner—Doris V. Coles
Attorney, Agent, or Firm—Fulwider, Patton, Rieber, Lee & Utecht

[57] **CLAIM**

The ornamental design for a telescopic sight mount, as shown and described.

DESCRIPTION

FIG. 1 is a left side elevational view of a telescope sight mount, showing my new design;
 FIG. 2 is a top plan view thereof;
 FIG. 3 is a front elevational view thereof;
 FIG. 4 is a right side elevational view thereof;
 FIG. 5 is a bottom plan view thereof;
 FIG. 6 is a rear elevational view thereof; and
 FIG. 7 is a left side elevational view illustrating an alternative appearance of the telescopic sight mount when the telescopic sight is mounted at an angle different from that shown in FIG. 1.

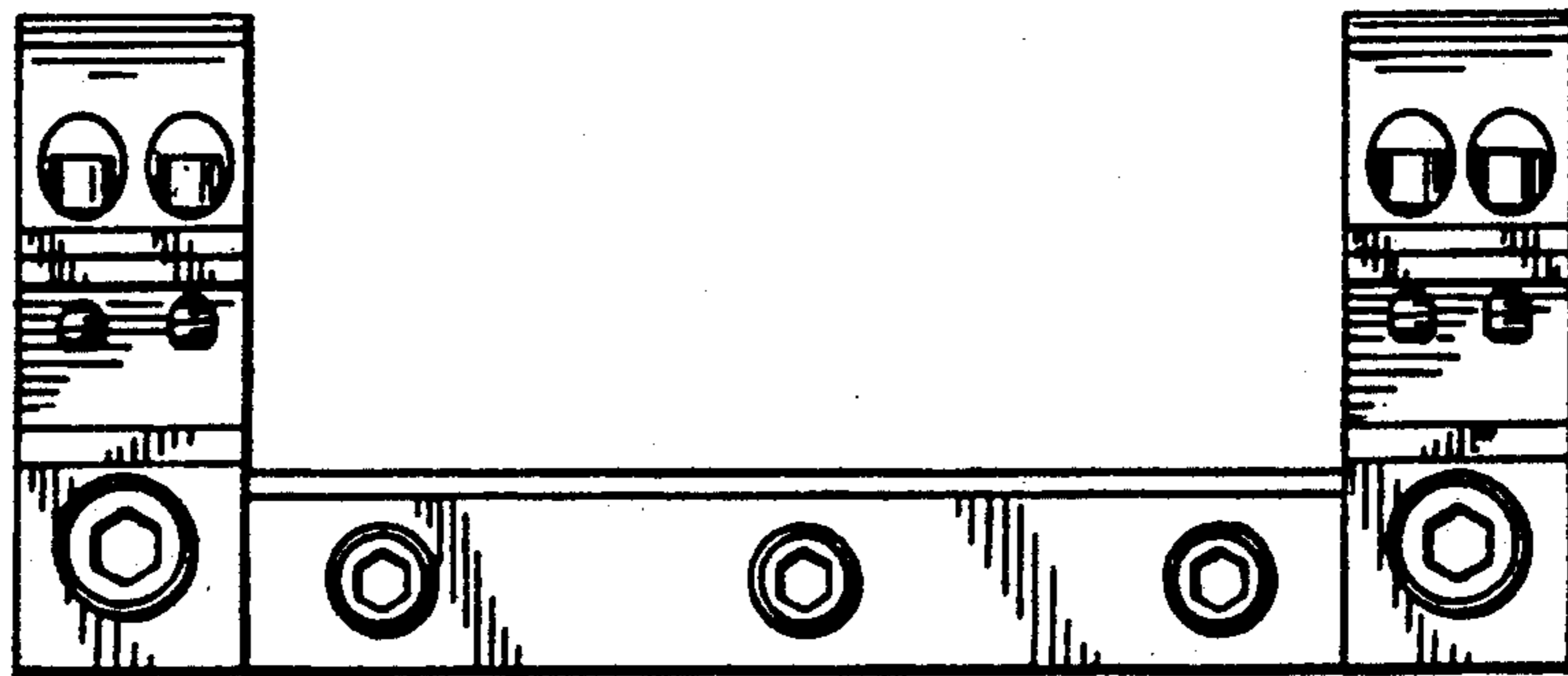


FIG. 1

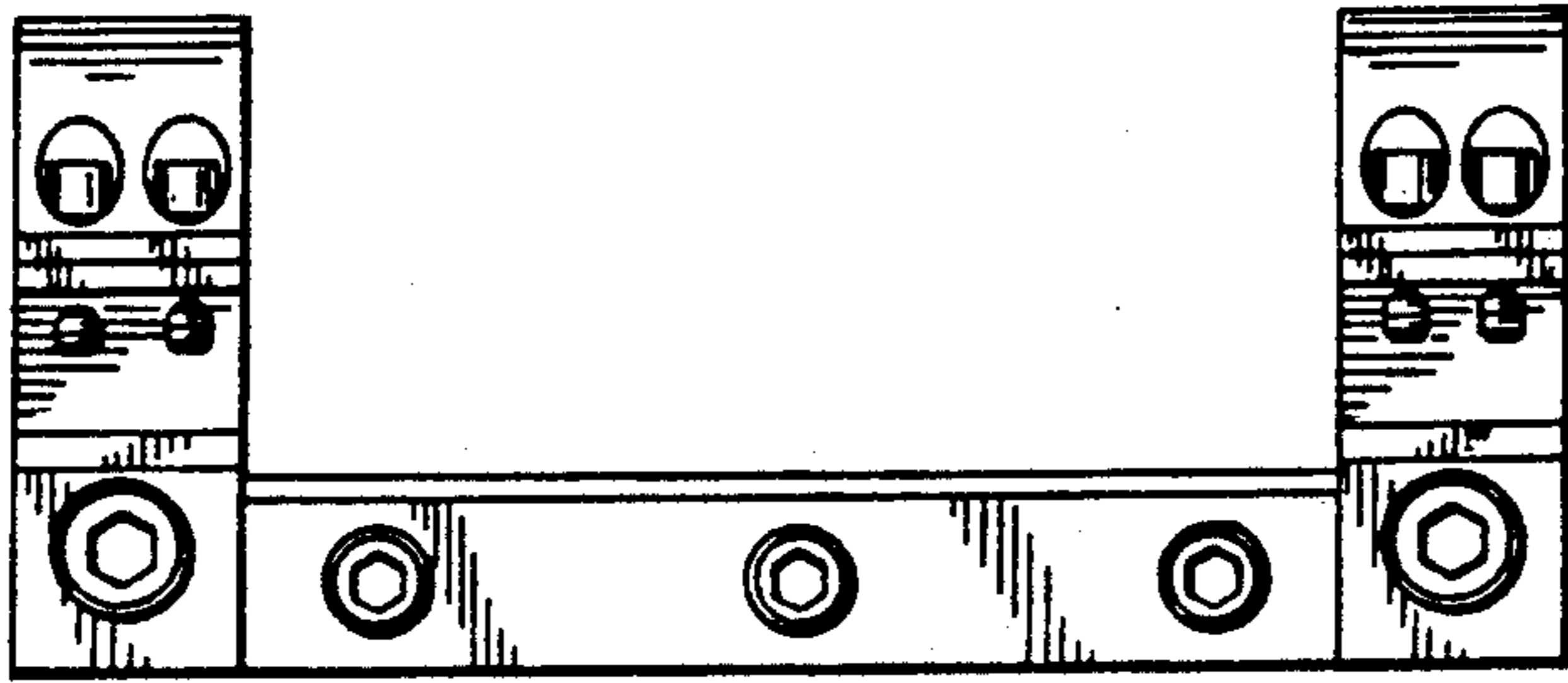


FIG. 2

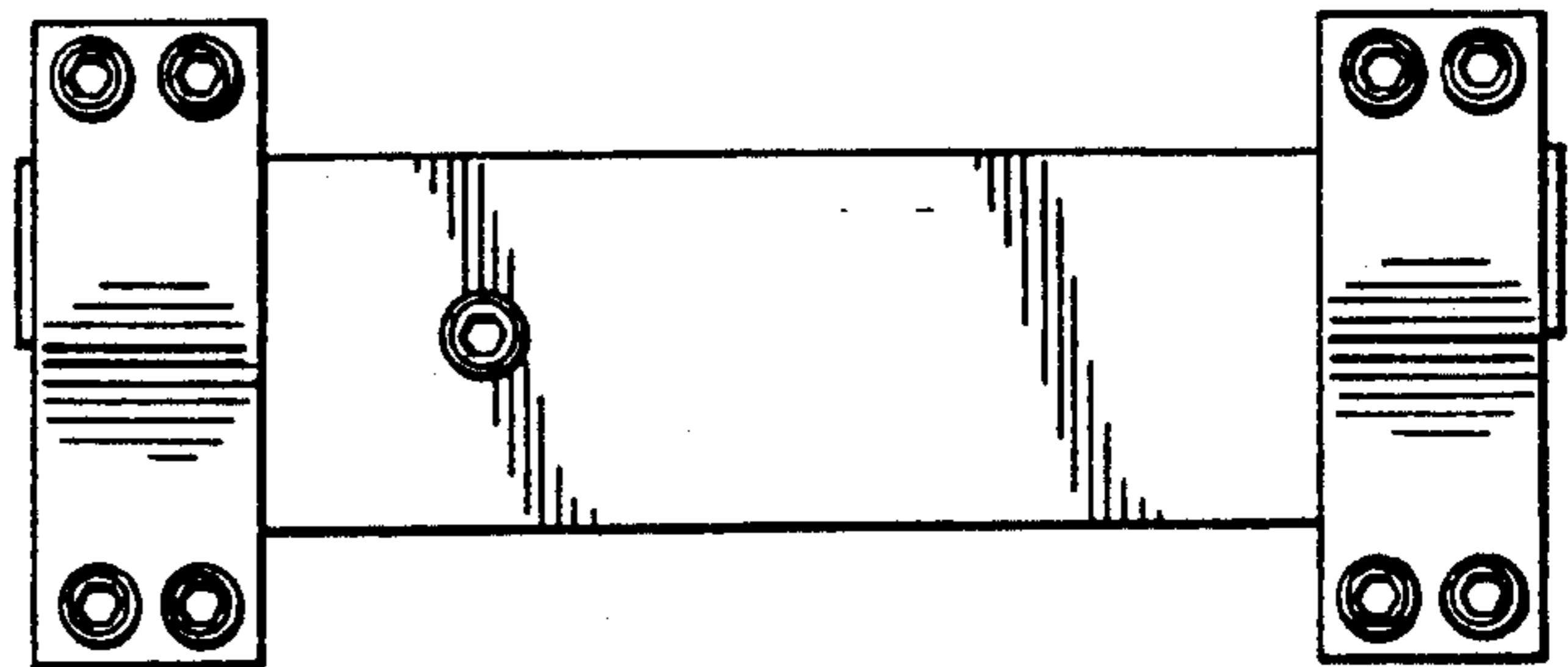


FIG. 3

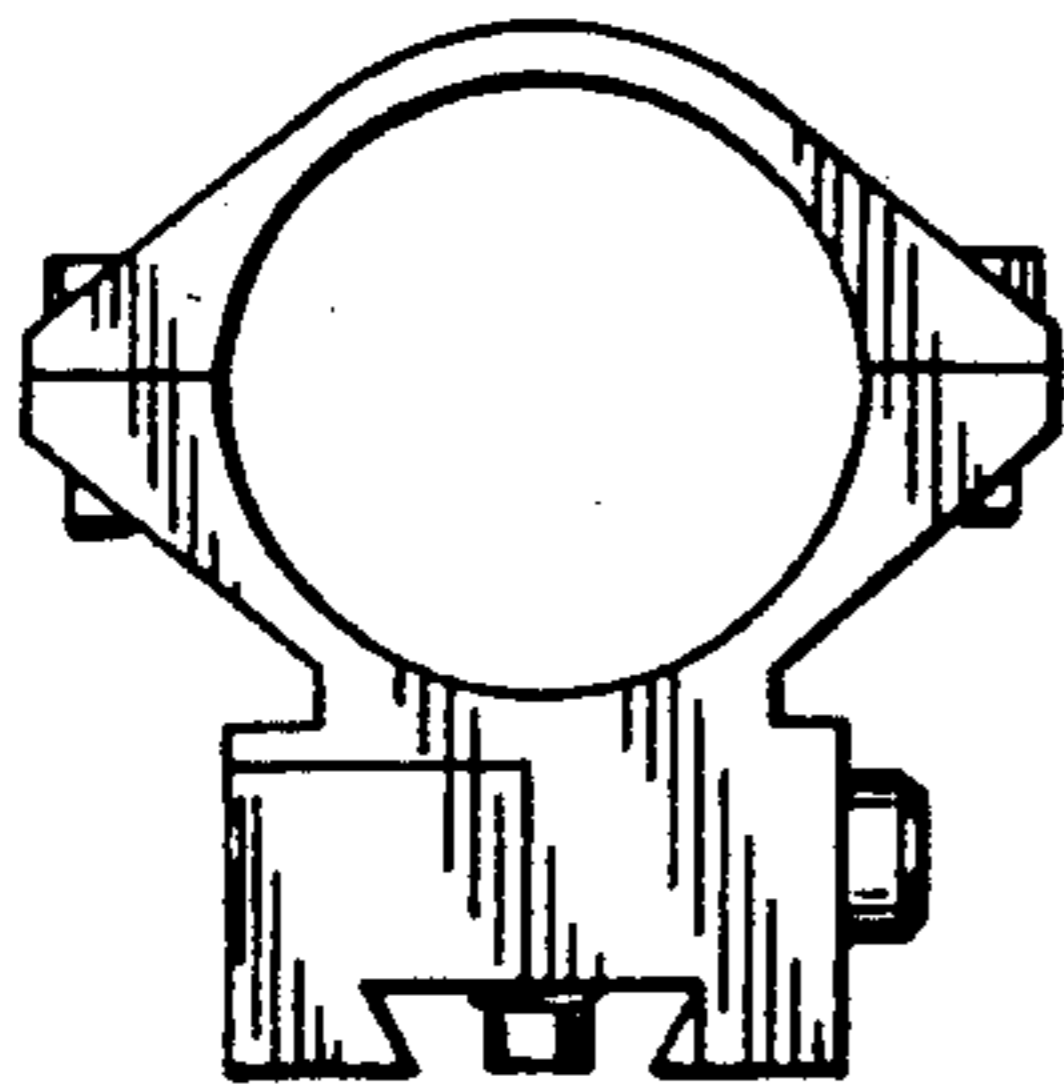


FIG. 4

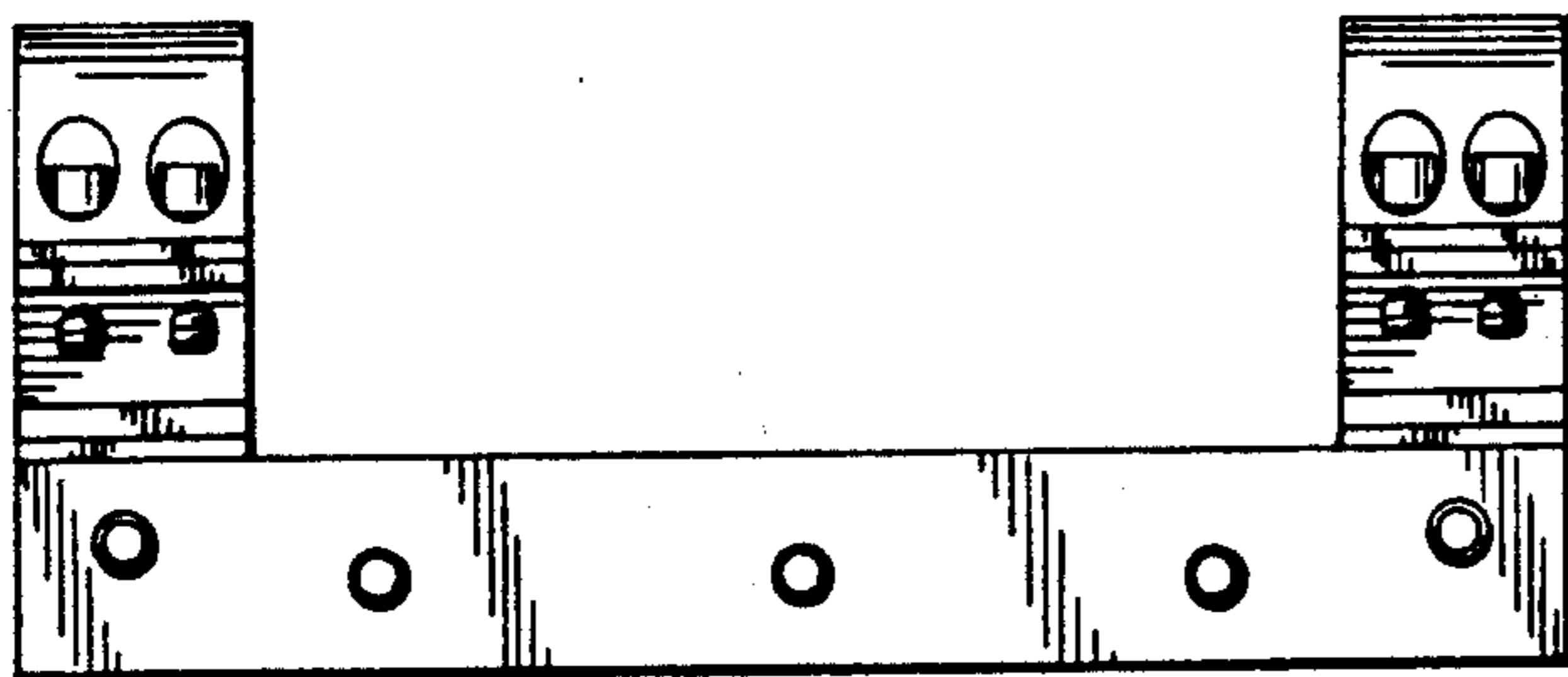


FIG. 5

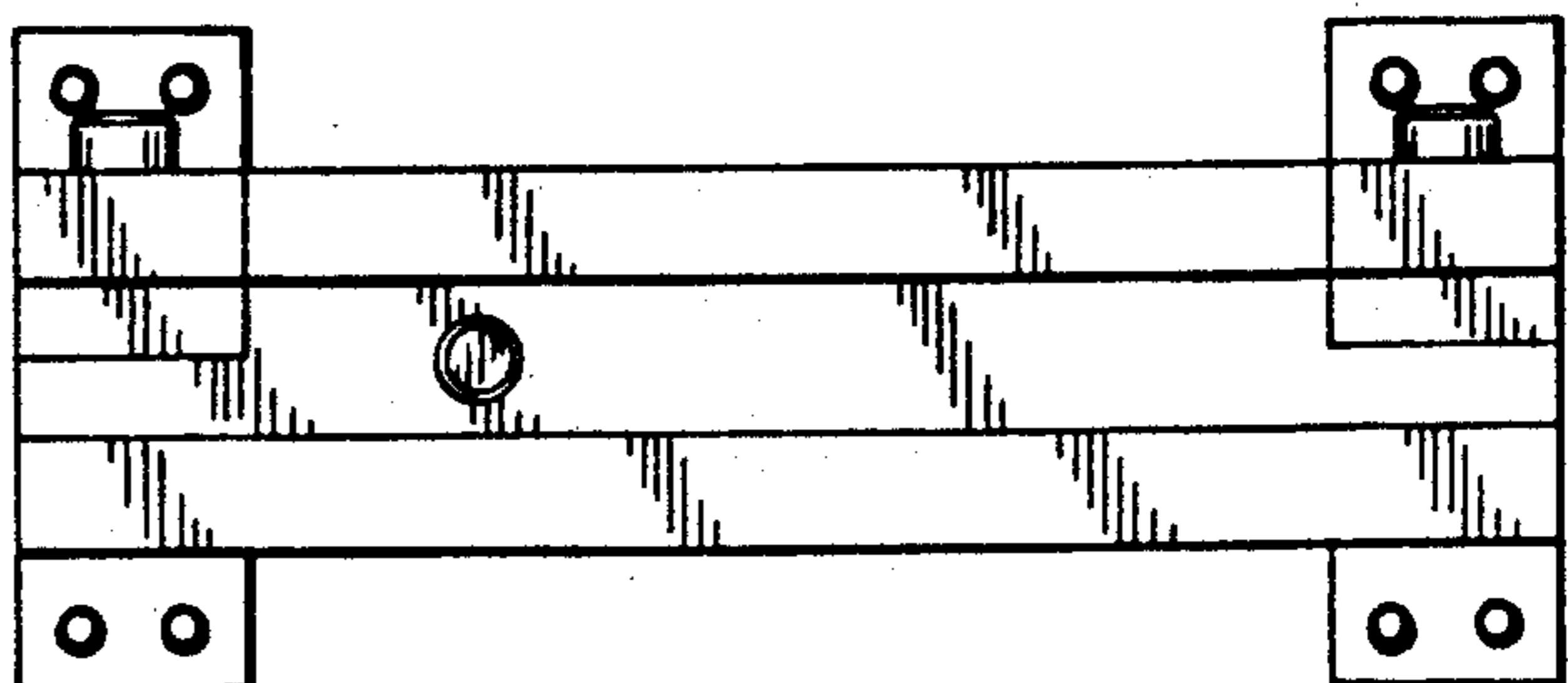
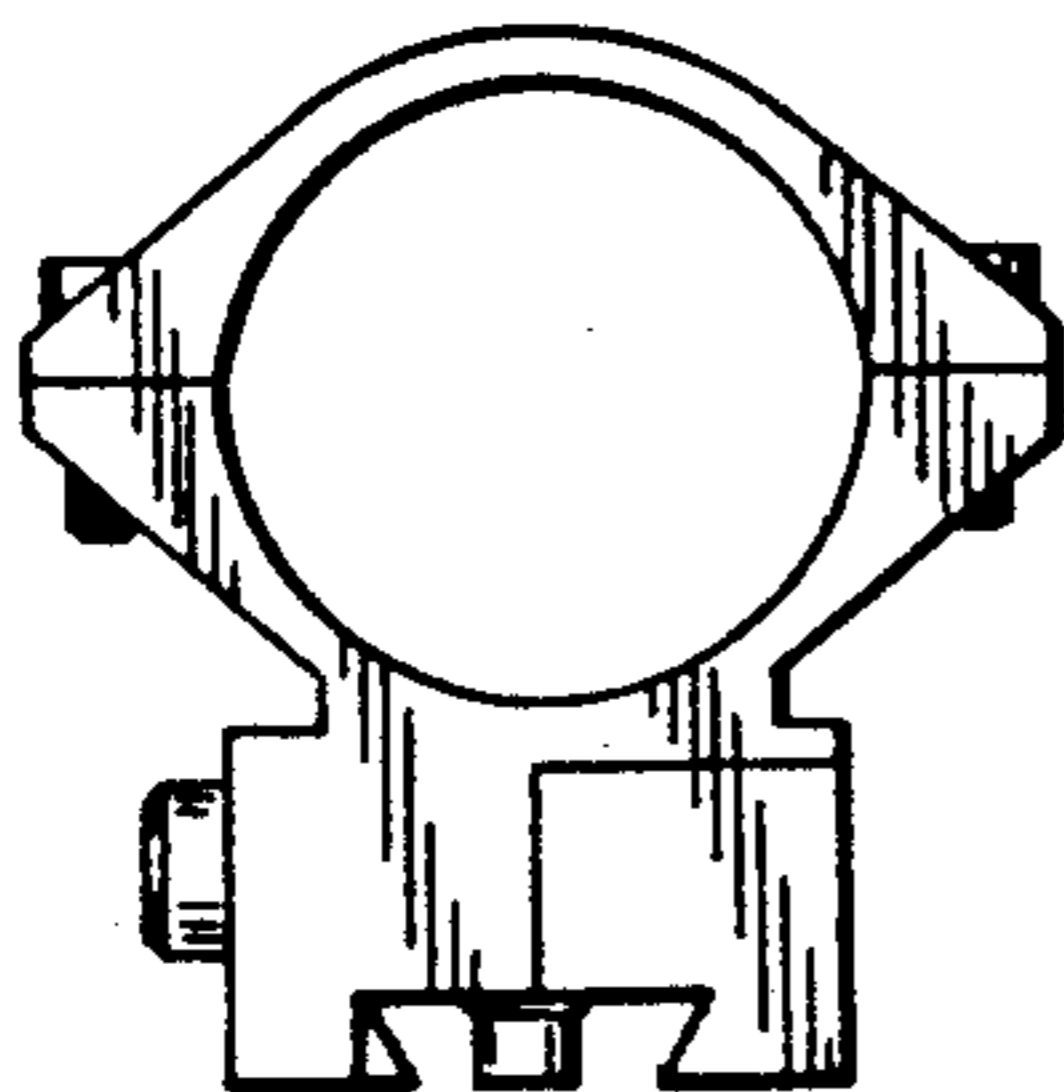


FIG. 6



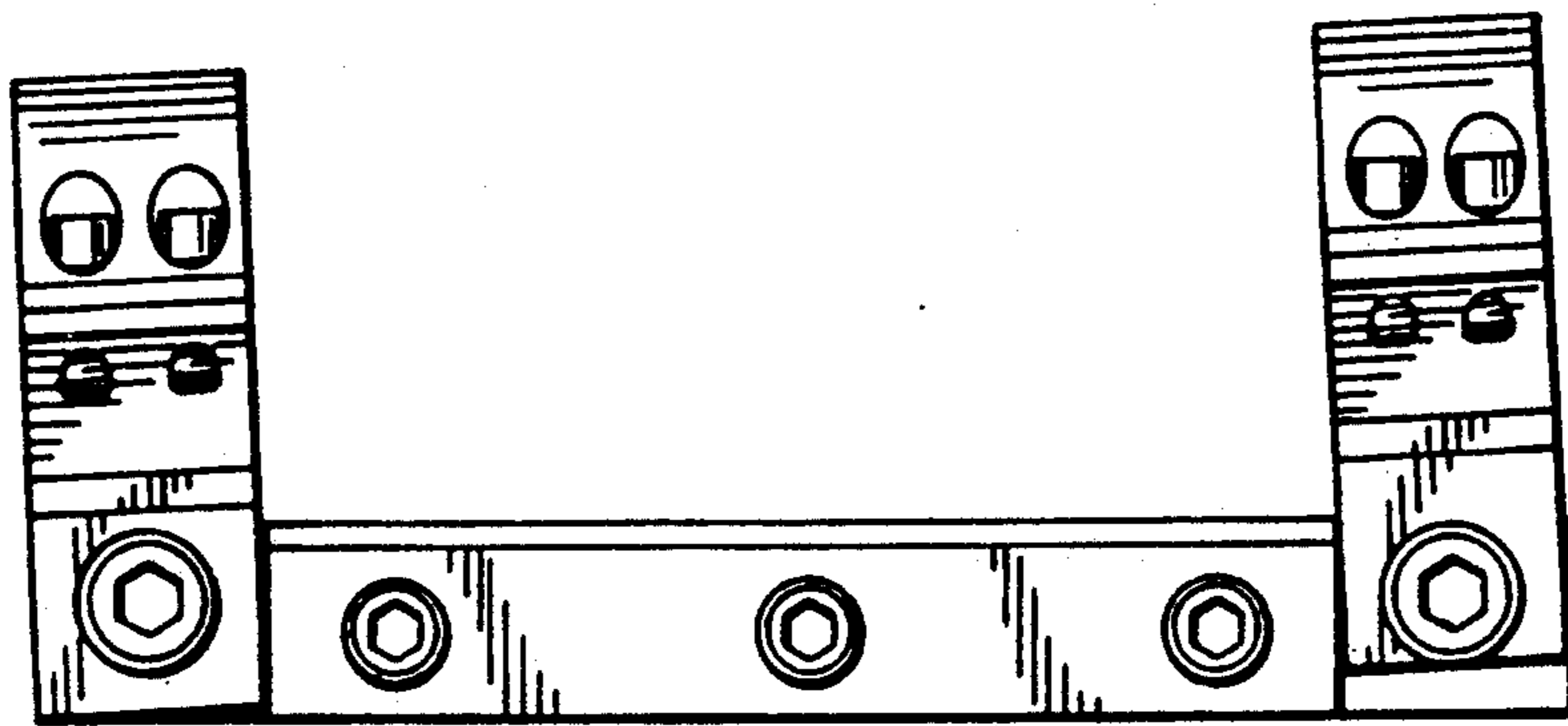


FIG. 7