

[54] TOY TOUCAN BIRD FIGURE

[76] Inventor: Jeffrey L. Peyton, P.O. Box C-32000, Richmond, Va. 23261-2000

[**] Term: 14 Years

[21] Appl. No.: 94,105

[22] Filed: Sep. 8, 1987

[52] U.S. Cl. D21/160

[58] Field of Search D21/160; D11/162; 446/387, 388

[56] References Cited

U.S. PATENT DOCUMENTS

- D. 232,456 8/1984 Wormser D21/160
- D. 268,429 3/1983 Rodgers D21/160
- 2,096,130 10/1937 Phillips 446/388

- 2,395,247 2/1946 Buffenbarger 446/388
- 4,687,460 8/1987 Katzmarzik D21/150

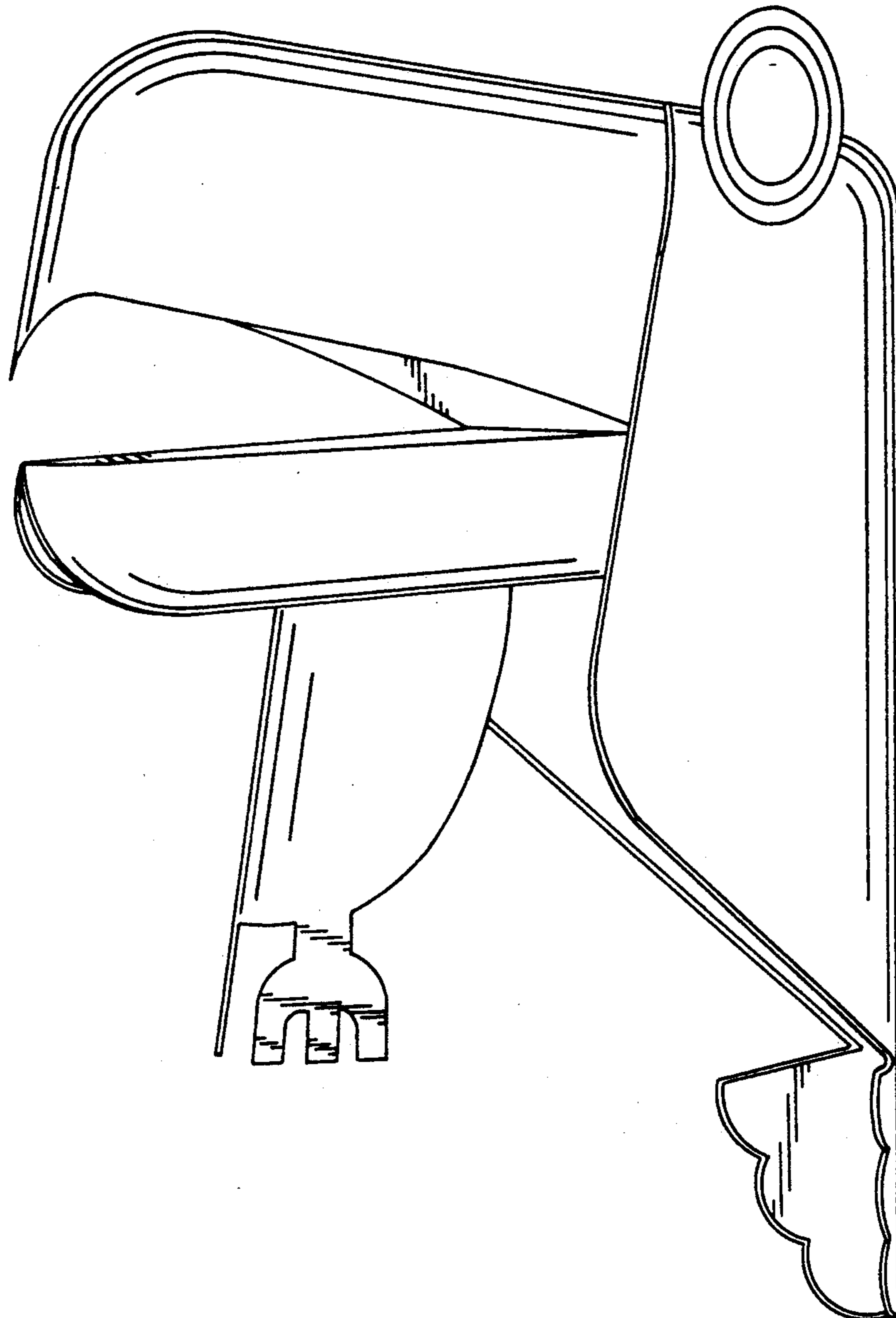
Primary Examiner—Melvin B. Feifer
Attorney, Agent, or Firm—Norman B. Rainer

[57] CLAIM

The ornamental design for a toy toucan bird figure, as shown and described.

DESCRIPTION

FIG. 1 is a side view of a toy toucan bird figure showing my new design, and shown with the mouth open, the unshown opposite side being of identical appearance; FIG. 2 is a front view thereof, with mouth closed; FIG. 3 is a rear view thereof; FIG. 4 is a bottom view thereof; and FIG. 5 is a perspective view thereof.



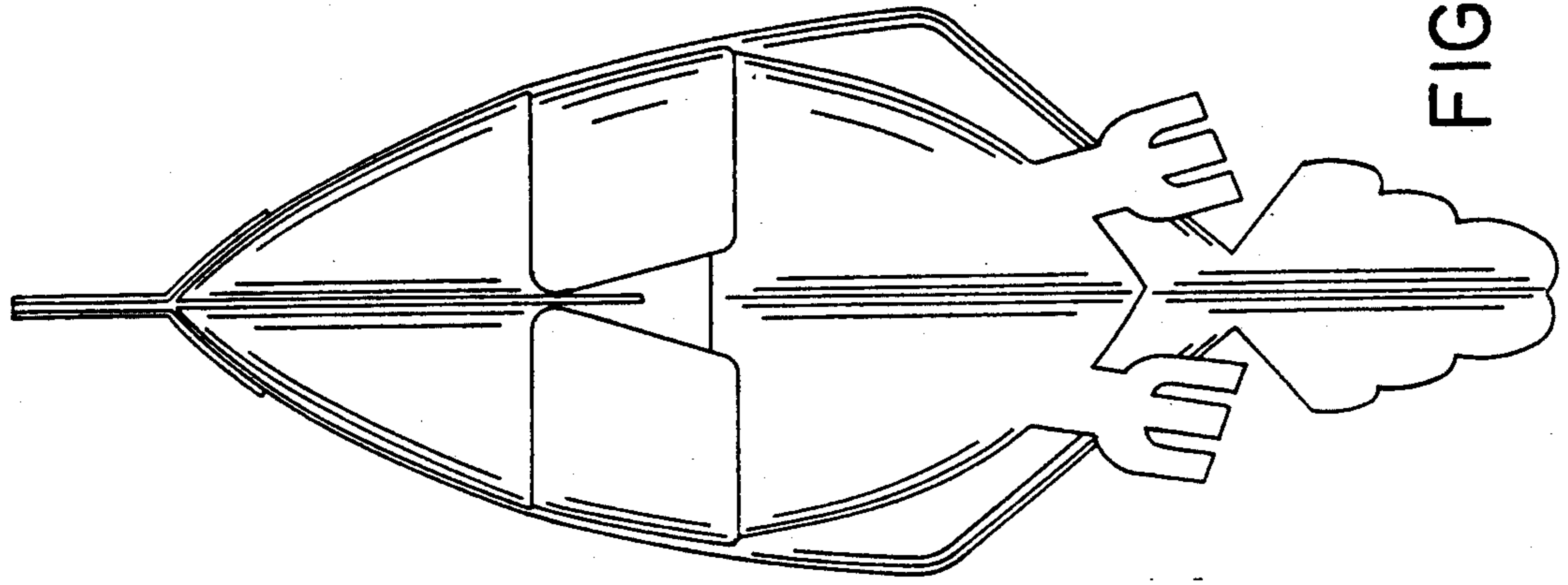


FIG. 2

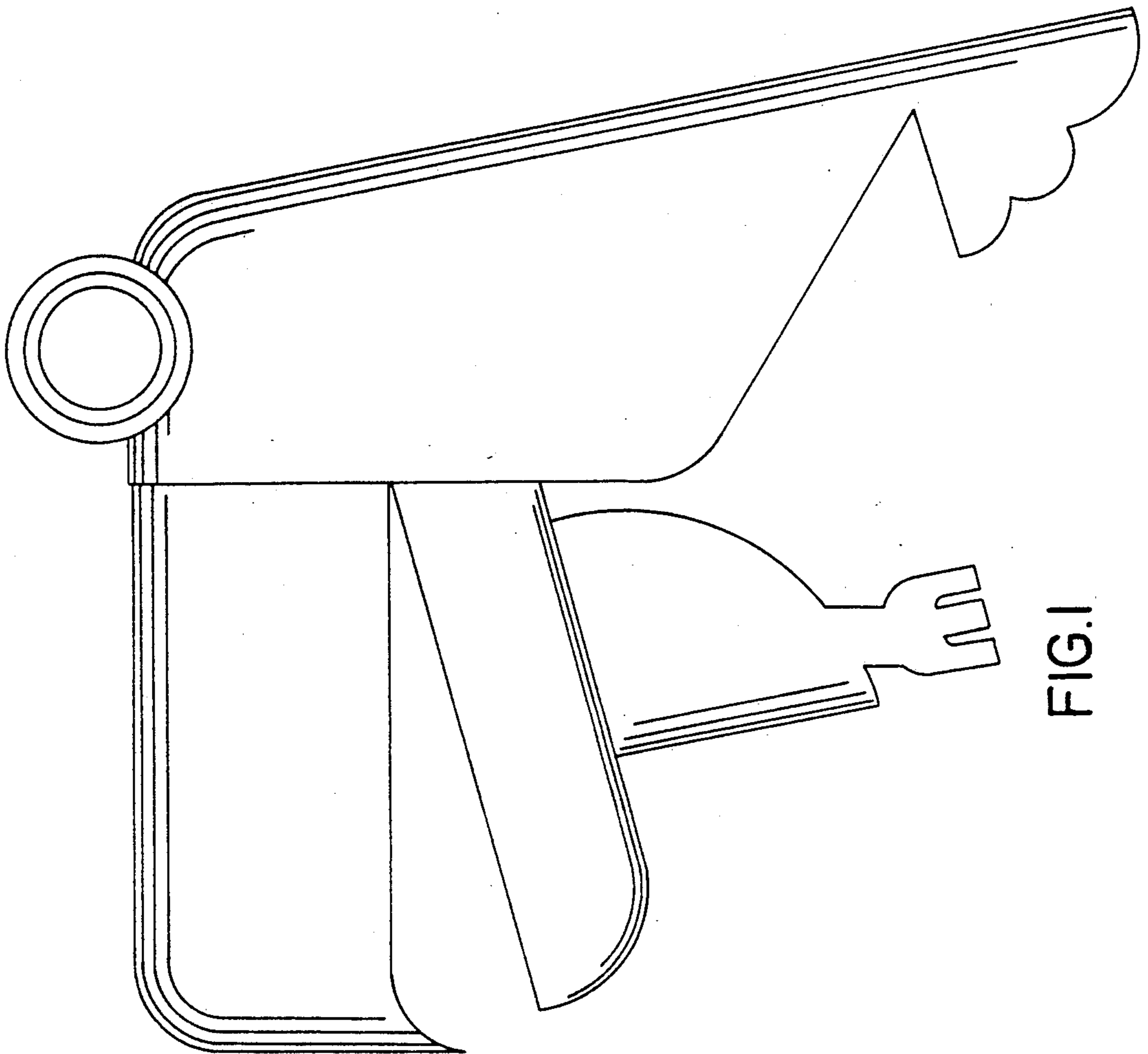


FIG. 1

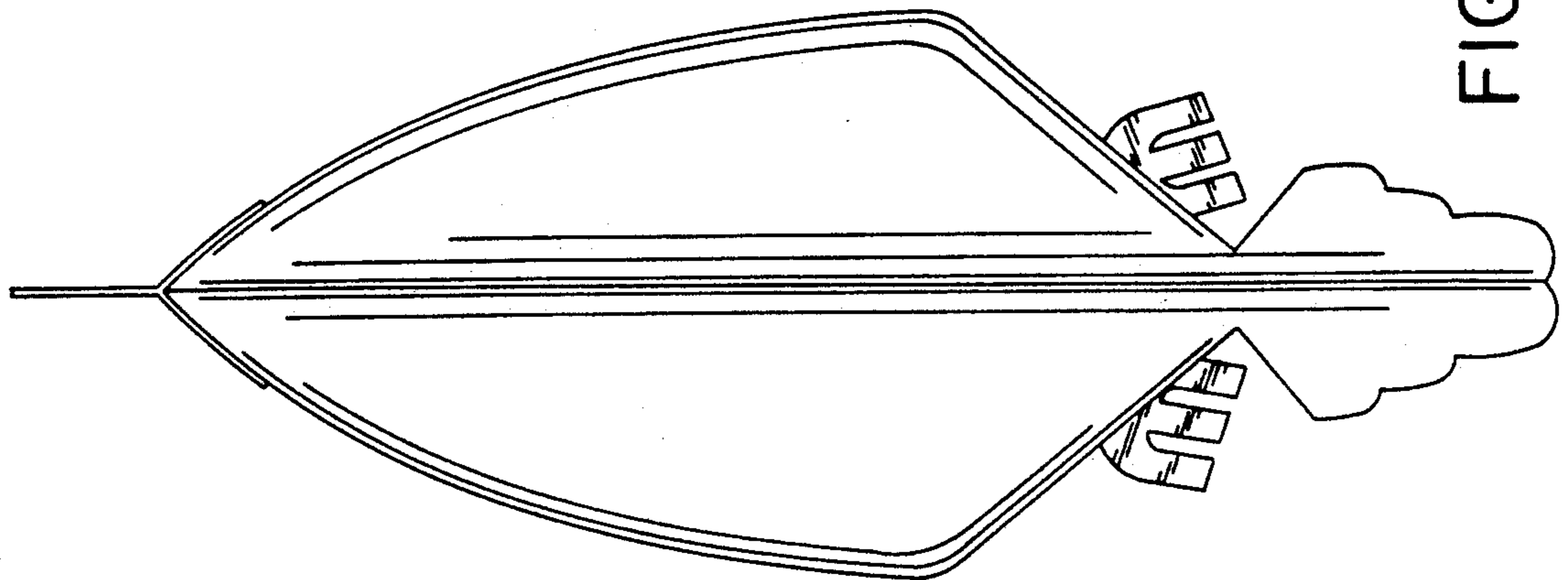


FIG. 3

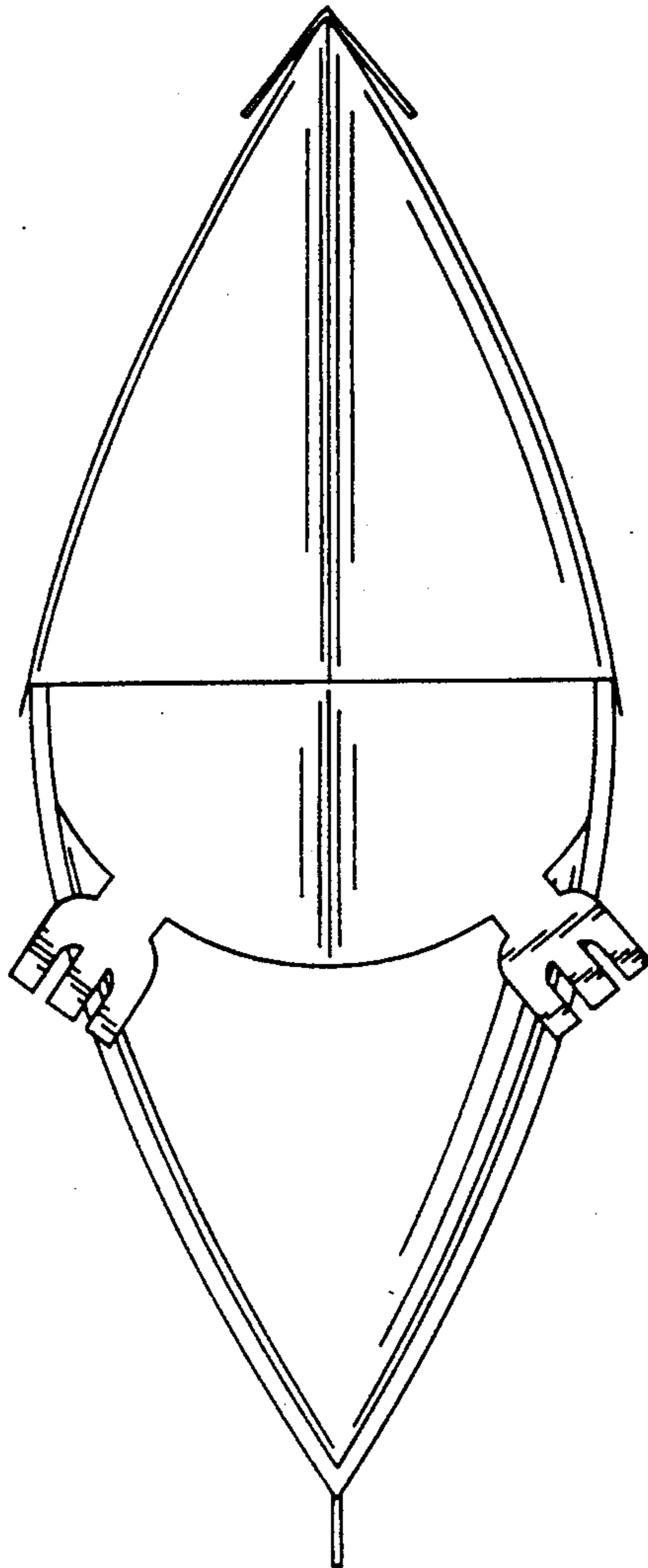


FIG. 4

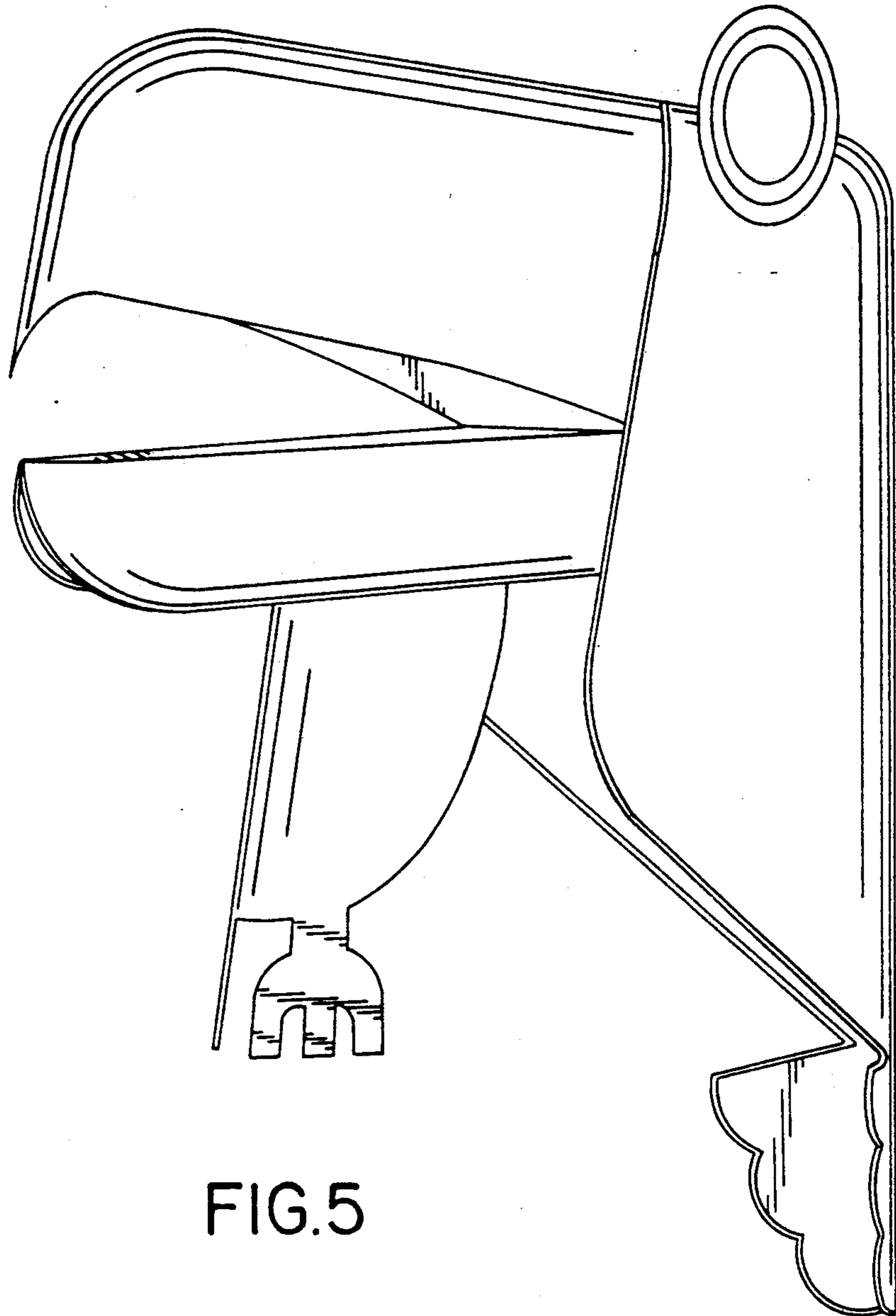


FIG.5