

# United States Patent [19]

Takahashi et al.

[11] Patent Number: **Des. 317,334**

[45] Date of Patent: **\*\* Jun. 4, 1991**

[54] **TOY VEHICLE**

[75] Inventors: **Takehiko Takahashi; Yoshiyasu Ishii; Taira Hanashima; Kazunobu Koike,** all of Tokyo, Japan

[73] Assignee: **Combi Co., Ltd., Tokyo, Japan**

[\*\*] Term: **14 Years**

[21] Appl. No.: **384,519**

[22] Filed: **Jul. 25, 1989**

[30] **Foreign Application Priority Data**

Feb. 7, 1989 [JP] Japan ..... 1-4022  
[52] U.S. Cl. .... **D21/76**  
[58] Field of Search ..... D21/71, 76, 136, 137,  
D21/78; 280/87.021, 87.01, 47.34, 47.371, 296,  
177

[56] **References Cited**

**U.S. PATENT DOCUMENTS**

D. 252,653 8/1979 Nakao et al. .... D21/78  
D. 252,829 9/1979 Nakao et al. .... D21/78  
D. 253,710 12/1979 Nakao et al. .... D21/78  
D. 259,730 6/1981 Arad et al. .... D21/78  
D. 265,219 6/1982 Kassai ..... D21/78  
D. 281,792 12/1985 Nakao ..... D21/78

D. 293,329 12/1987 Nakao ..... D21/78  
D. 294,153 2/1988 Nakao ..... D21/78  
D. 303,273 9/1989 Takahashi ..... D21/76  
4,261,588 4/1981 Kassai ..... 280/87.021

**OTHER PUBLICATIONS**

International Playthings, 1984, p. 24, lower rt (Toy Catalogs 84-87 Digest).  
Montgomery Ward Catalog—Christmas Value '83, p. 119, "I".  
Coleco Catalog 1987, p. 43, middle (Toy Fair 1987).

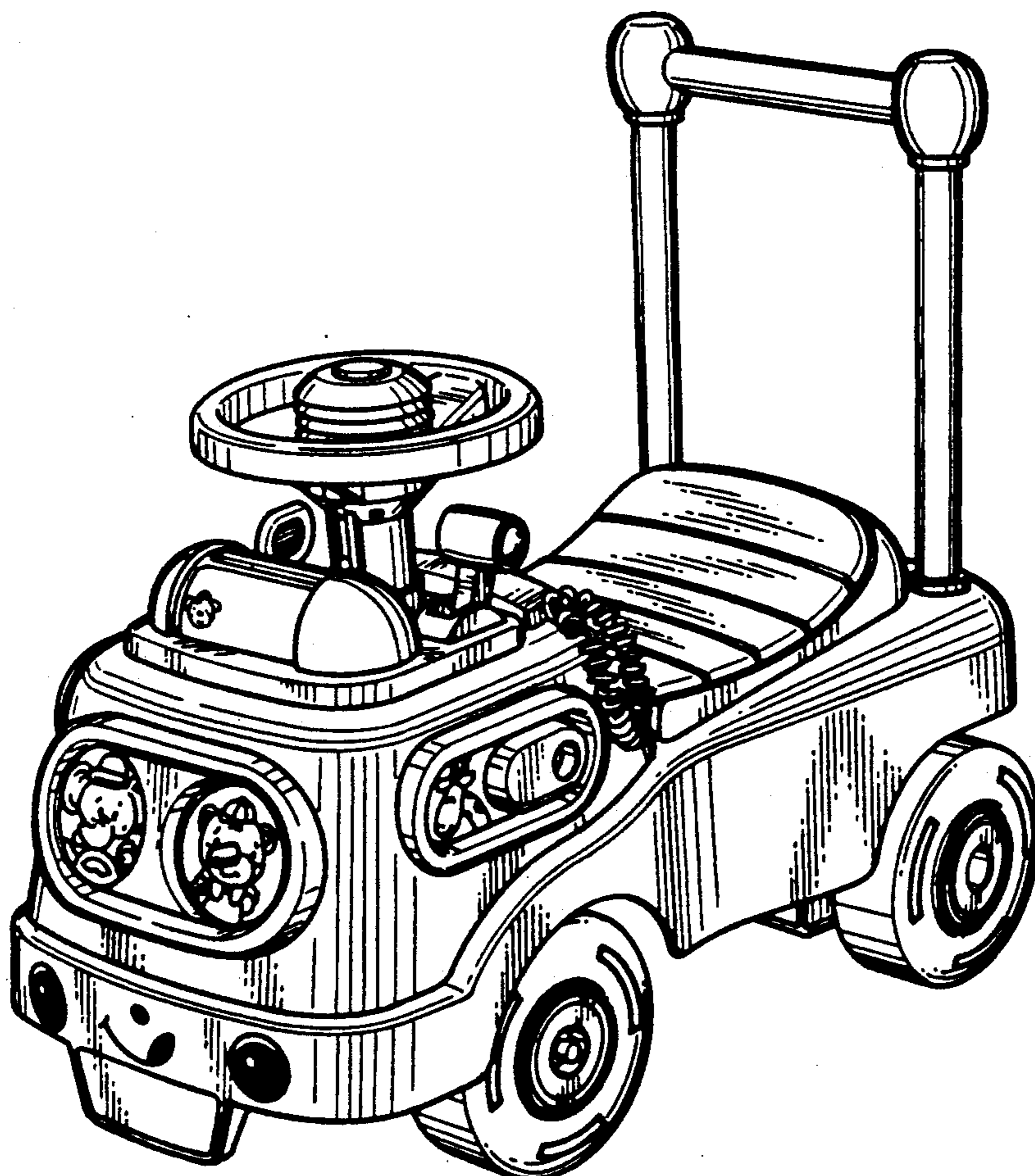
*Primary Examiner*—Charles A. Rademaker  
*Assistant Examiner*—R. Barkai  
*Attorney, Agent, or Firm*—Sughrue, Mion, Zinn, Macpeak & Seas

[57] **CLAIM**

The ornamental design for a toy vehicle, as shown.

**DESCRIPTION**

FIG. 1 is a front, top and right side perspective view of a toy vehicle showing our new design; FIG. 2 is a front elevational view thereof; FIG. 3 is a rear elevational view thereof; FIG. 4 is a top plan view thereof; FIG. 5 is a bottom plan view thereof; FIG. 6 is a left side elevational view thereof; and FIG. 7 is a right side elevational view thereof.



*Fig. 1*

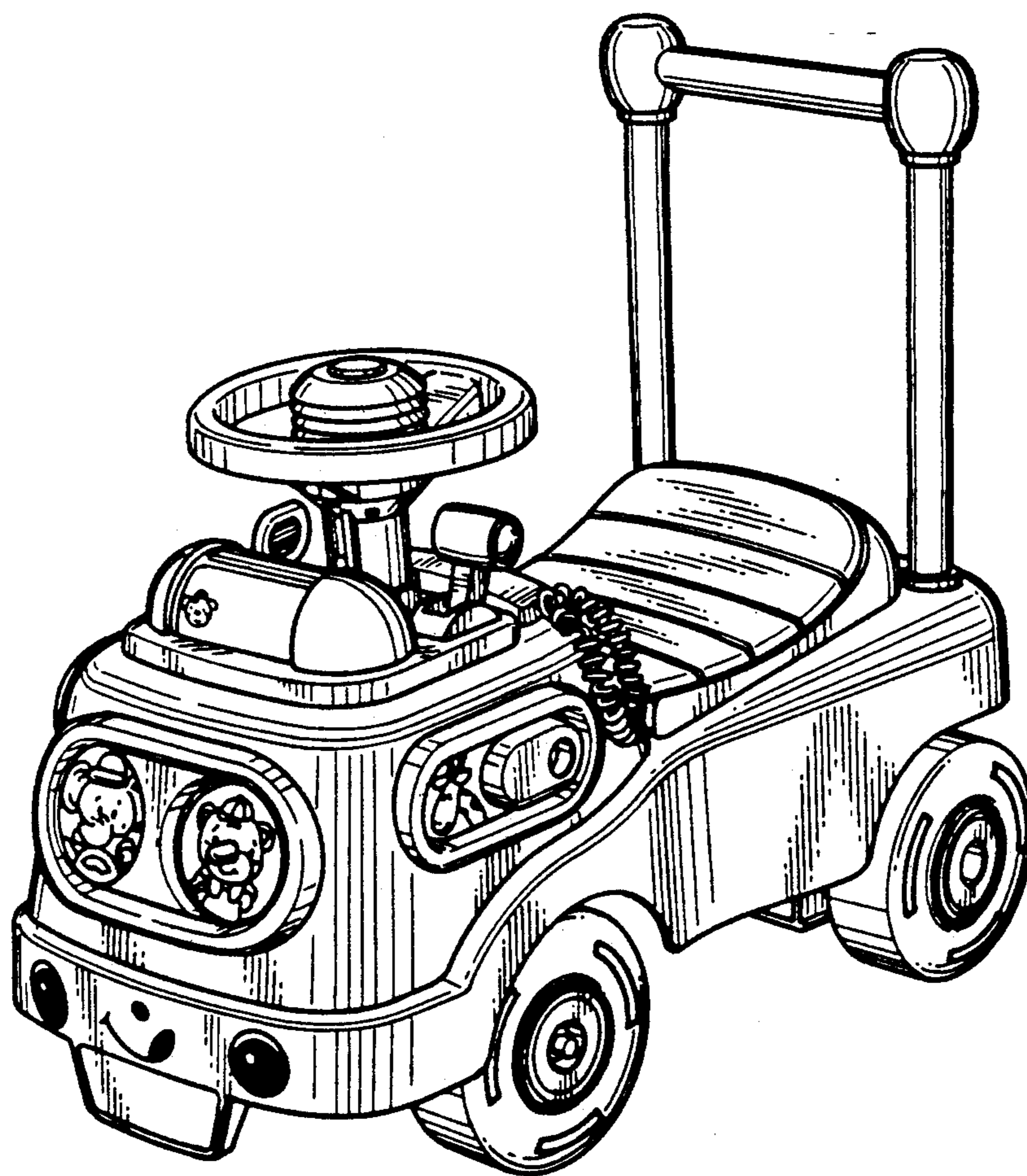


Fig. 3

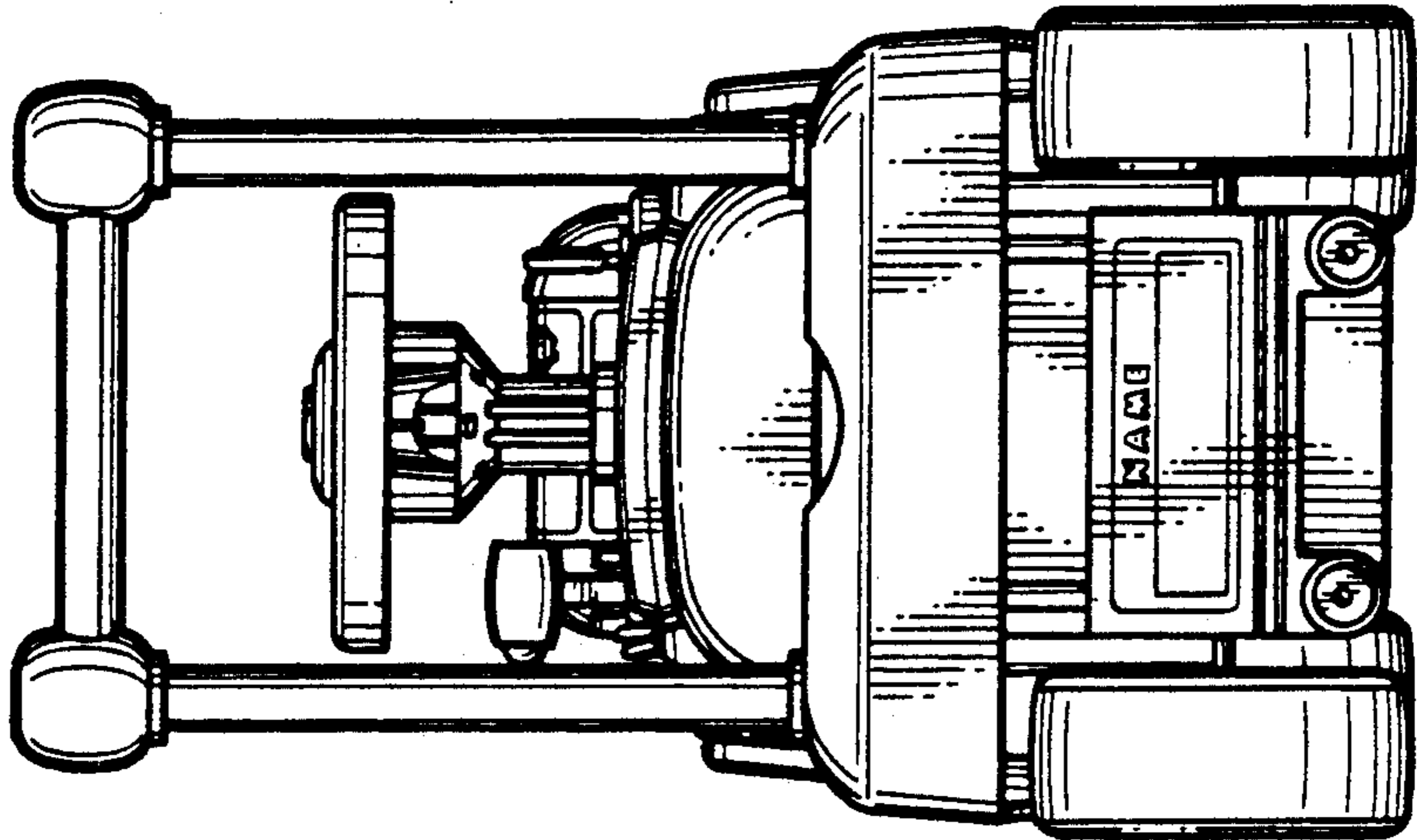


Fig. 2

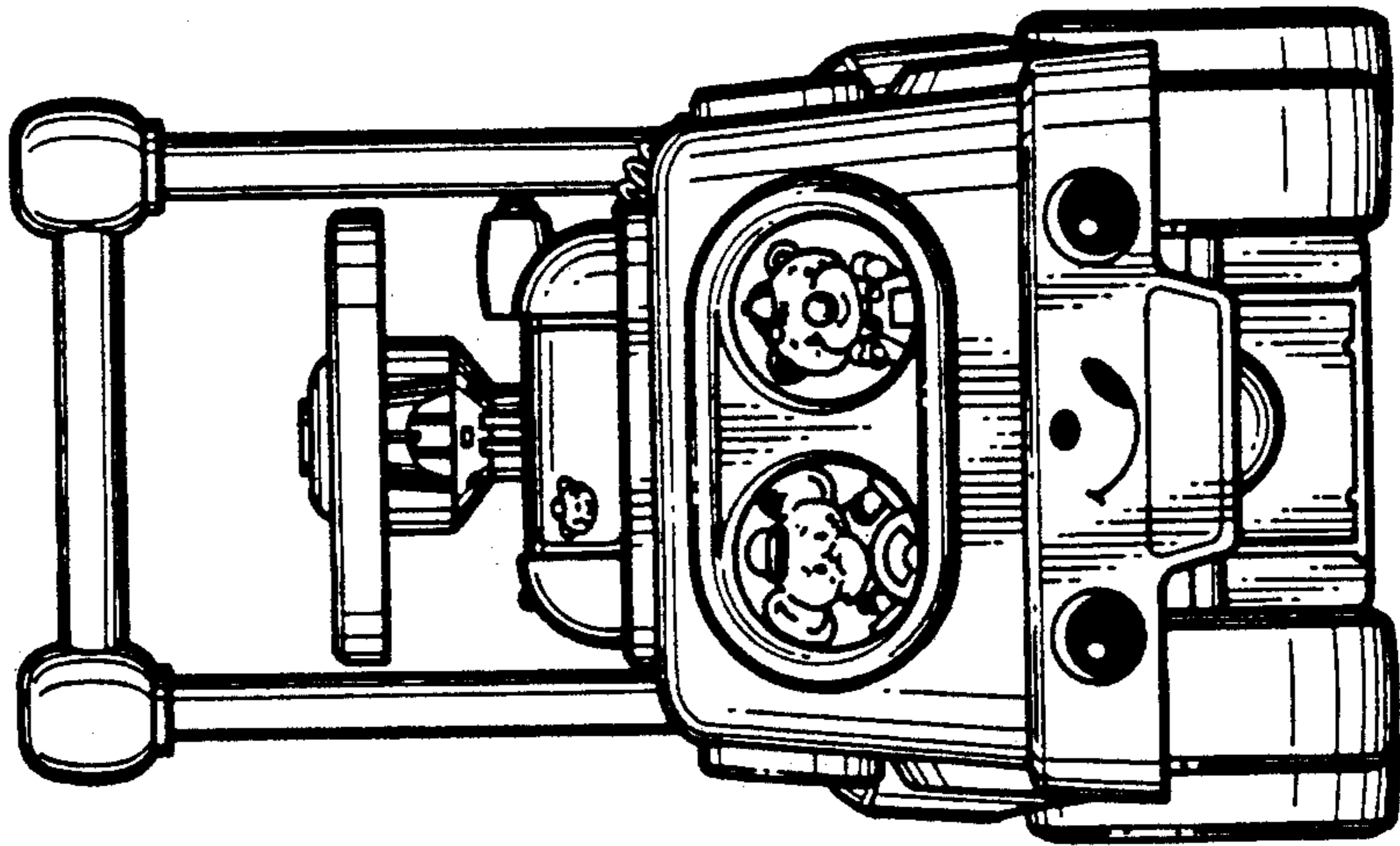


Fig. 5

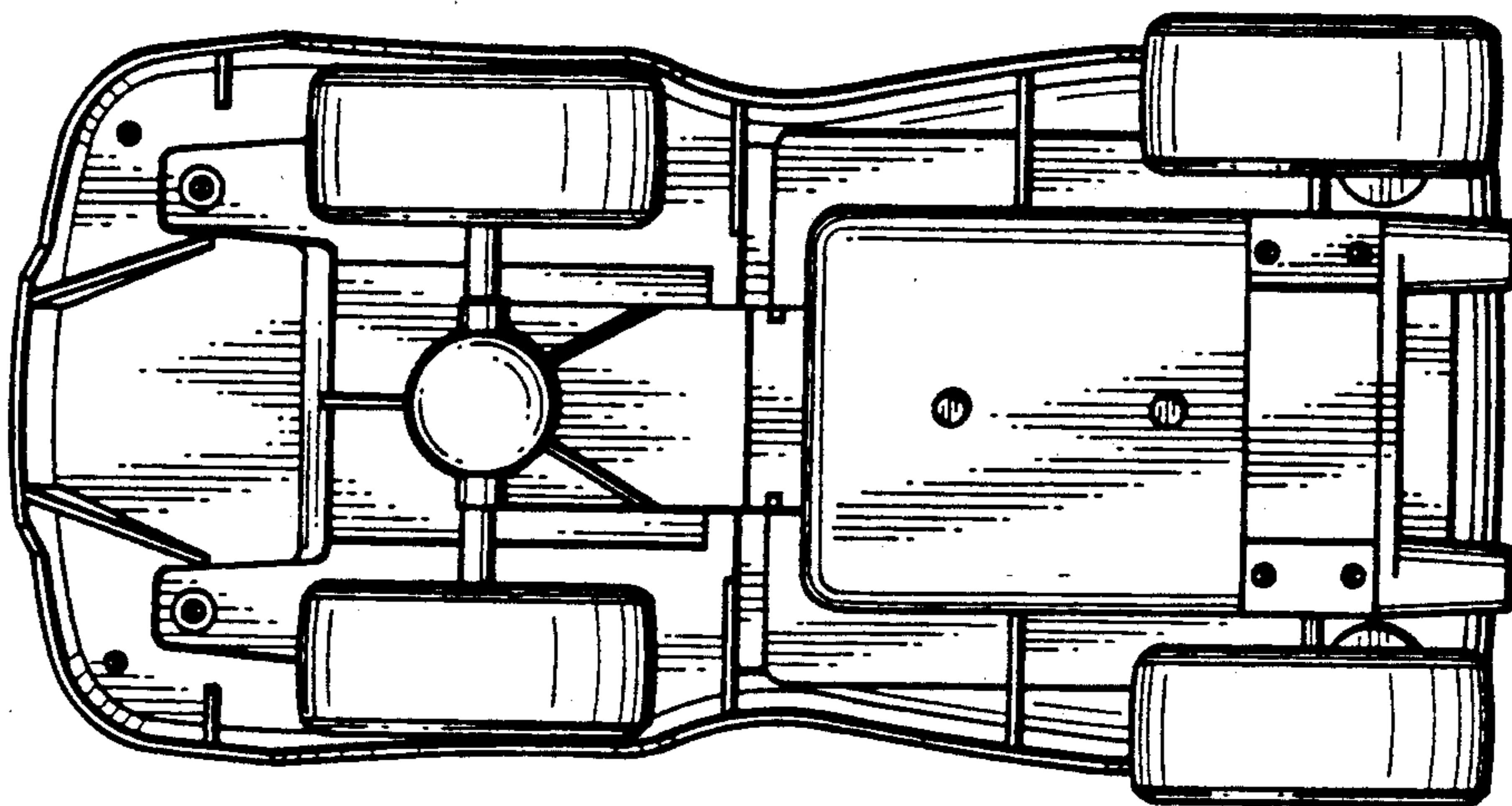
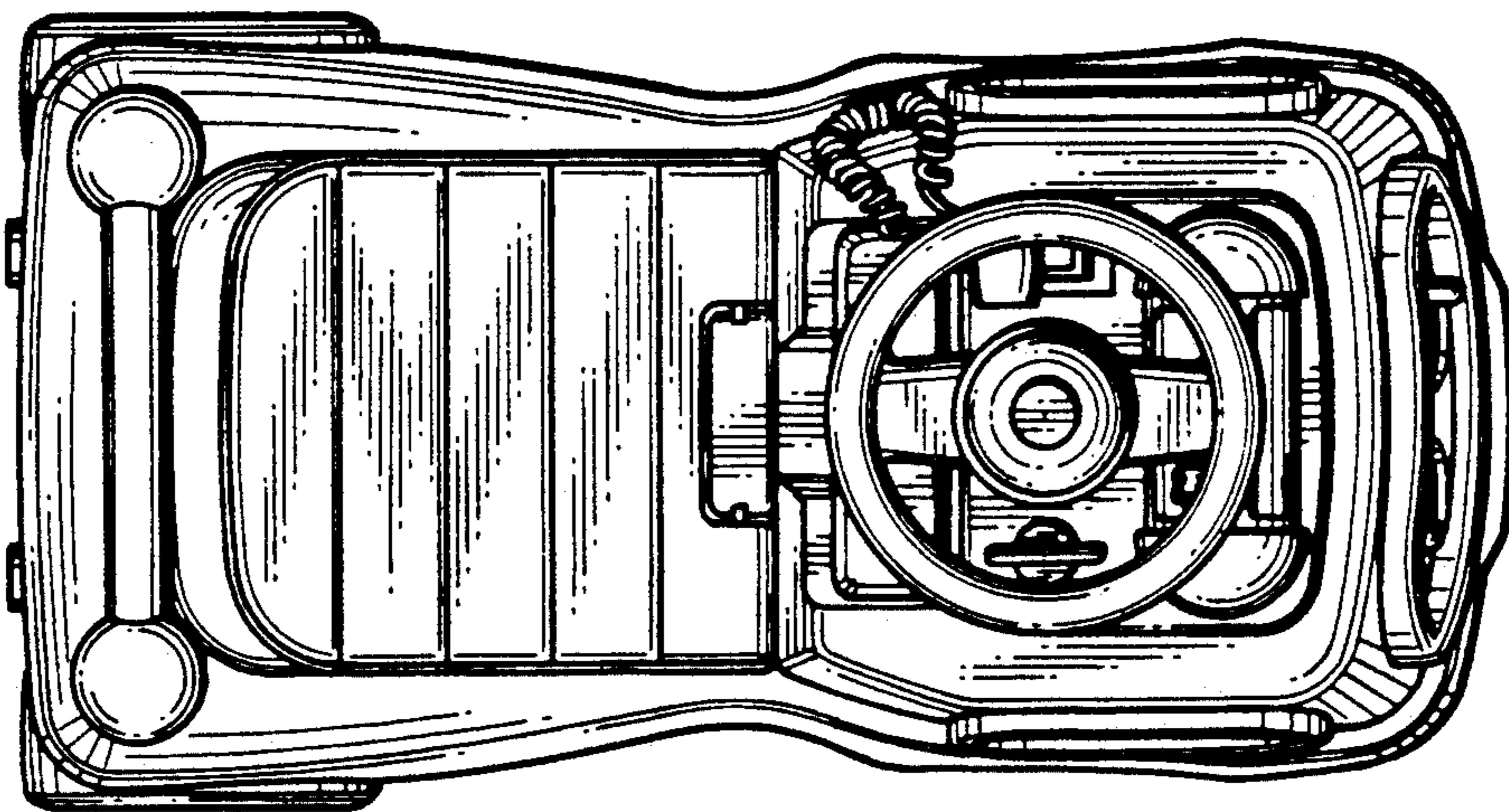
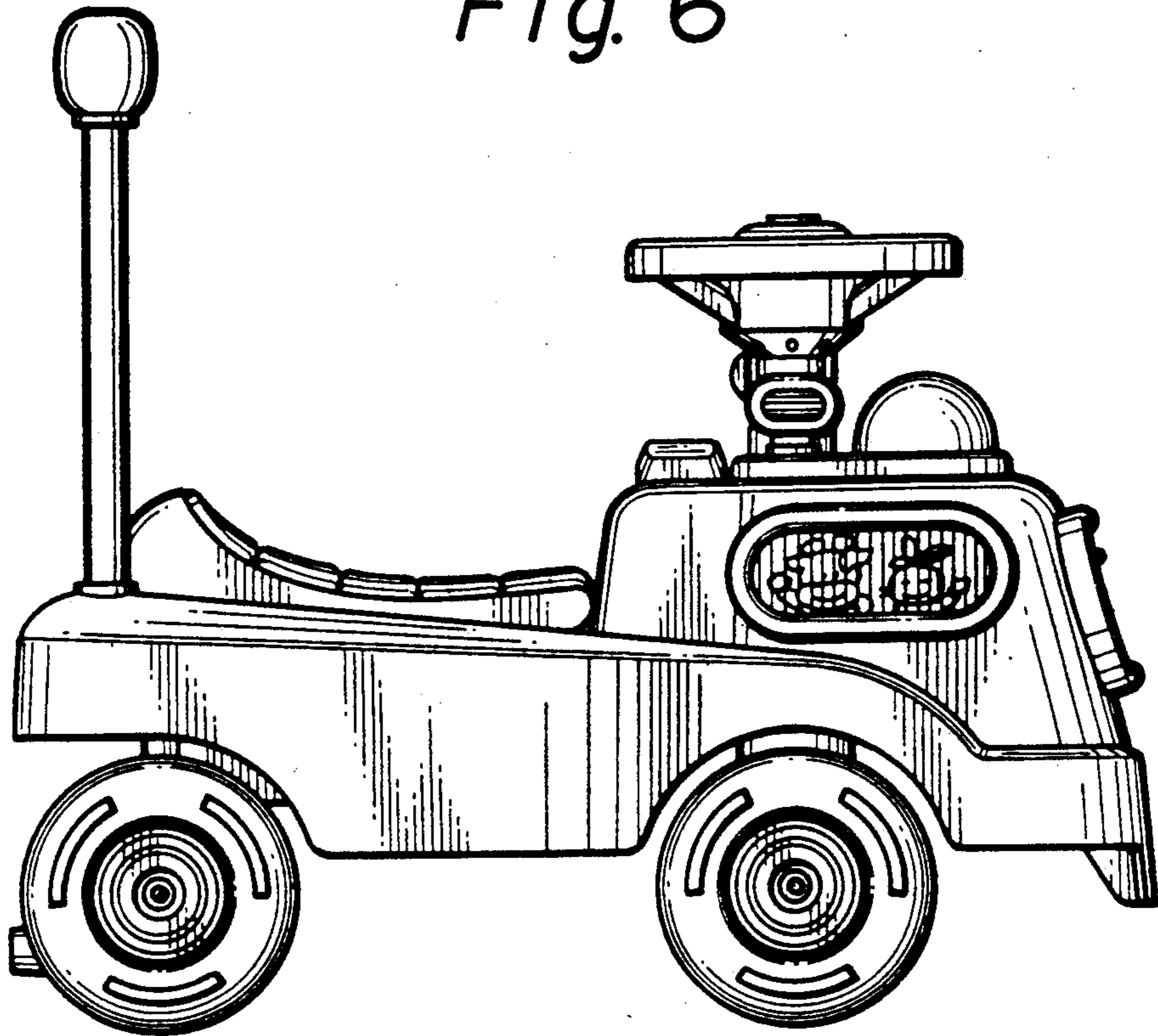


Fig. 4



*Fig. 6*



*Fig. 7*

