

United States Patent [19]

Thomson et al.

[11] Patent Number: **Des. 317,333**

[45] Date of Patent: **** Jun. 4, 1991**

[54] **BATH TOY**

[75] Inventors: **Harry S. Thomson, Richmond; John Pape, Hitchin, both of England**

[73] Assignee: **Monami Products Limited, Richmond, England**

[**] Term: **14 Years**

[21] Appl. No.: **272,262**

[22] Filed: **Nov. 15, 1988**

[30] **Foreign Application Priority Data**

Jul. 18, 1988 [GB] United Kingdom 1052365

[52] U.S. Cl. **D21/59**

[58] Field of Search D21/63, 64, 65, 59; 446/227; 434/259

[56] **References Cited**

U.S. PATENT DOCUMENTS

D. 262,550 1/1982 Fisher D21/63

D. 300,333 3/1989 Thomson D21/63

OTHER PUBLICATIONS

Constructive Playthings Catalog, 1987-1988 Fall & Winter Edition, p. 15, "Tub-Play-Center".

Primary Examiner—Charles A. Rademaker
Attorney, Agent, or Firm—Armstrong, Nikaido, Marmelstein, Kubovcik & Murray

[57] **CLAIM**

The ornamental design for a bath toy, as shown.

DESCRIPTION

FIG. 1 is a front perspective view of a bath toy showing our new design;

FIG. 2 is a front elevational view thereof;

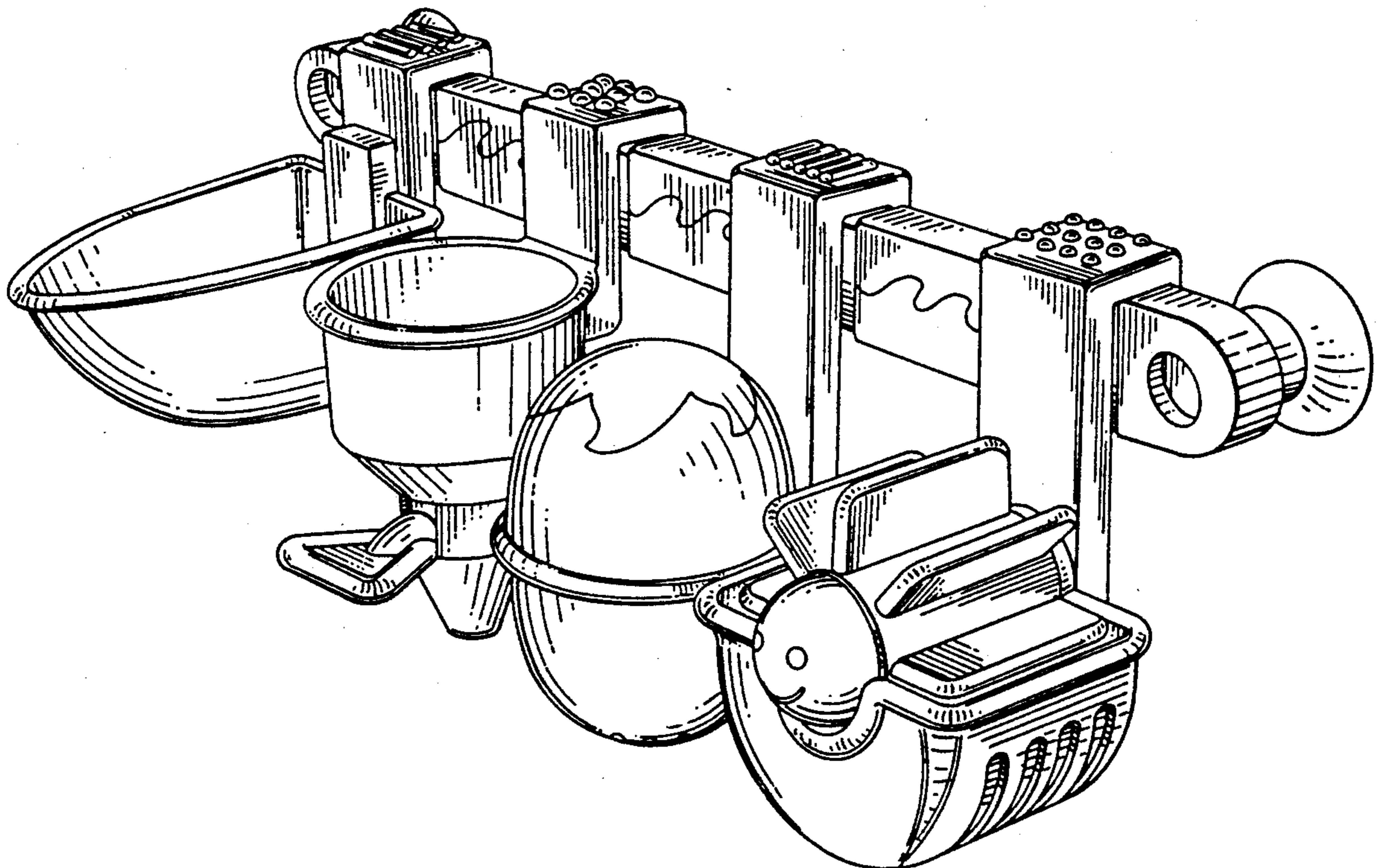
FIG. 3 is a rear elevational view thereof;

FIG. 4 is an end elevational view thereof;

FIG. 5 is an end elevational view of the end opposite that shown in FIG. 4;

FIG. 6 is a top plan view thereof; and

FIG. 7 is a bottom plan view thereof.



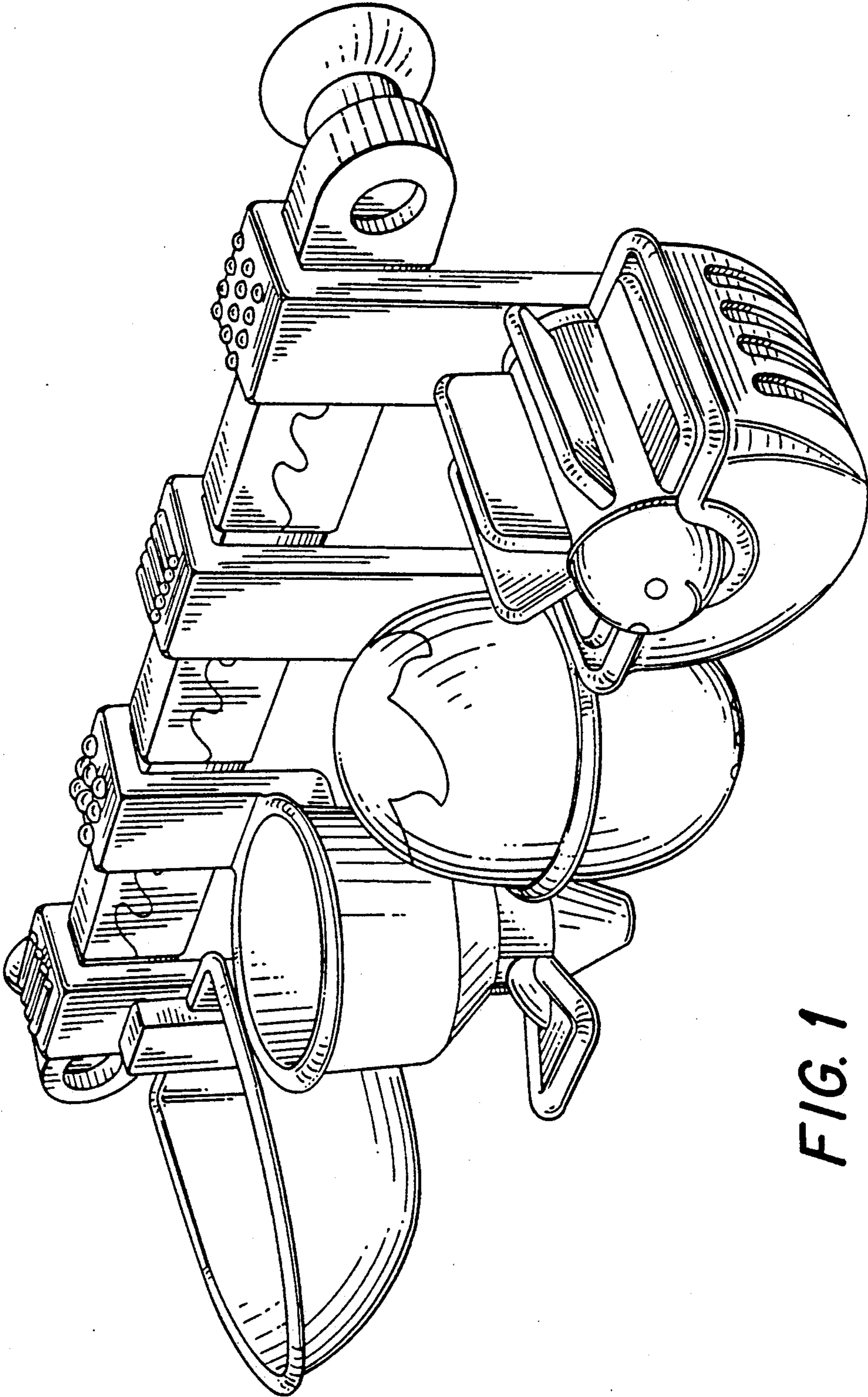


FIG. 1

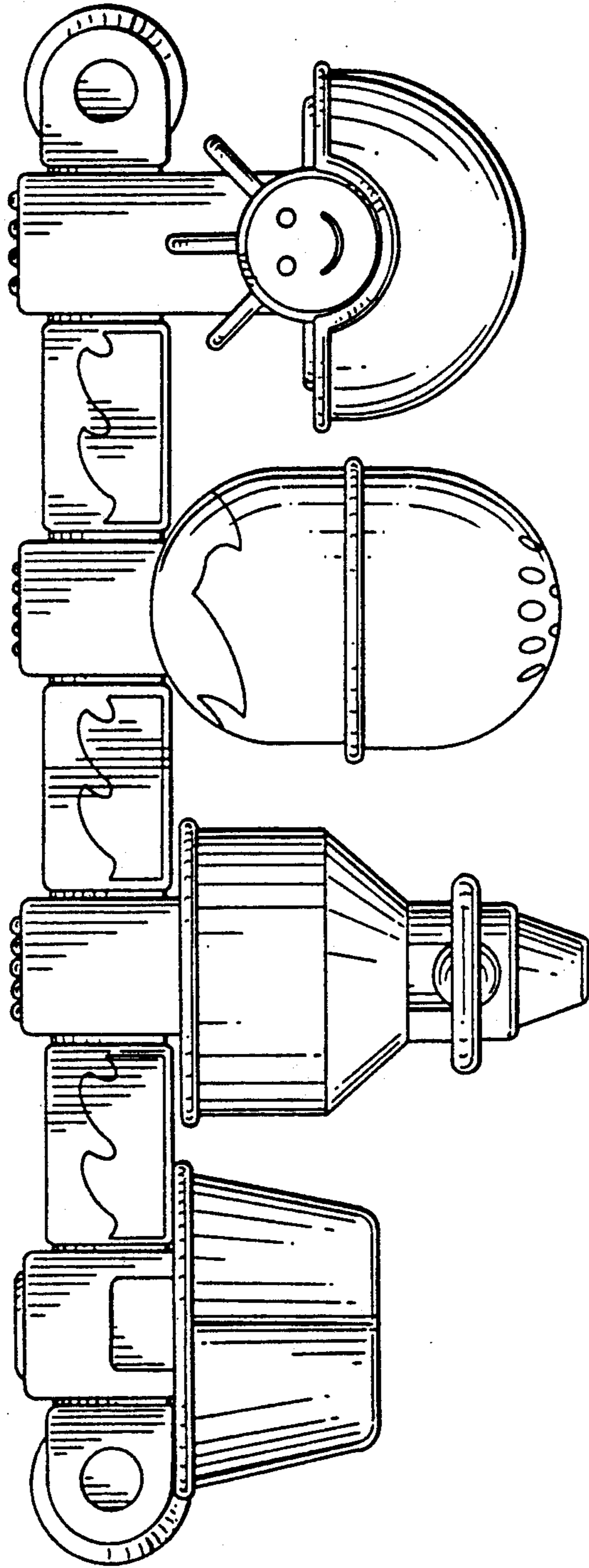


FIG. 2

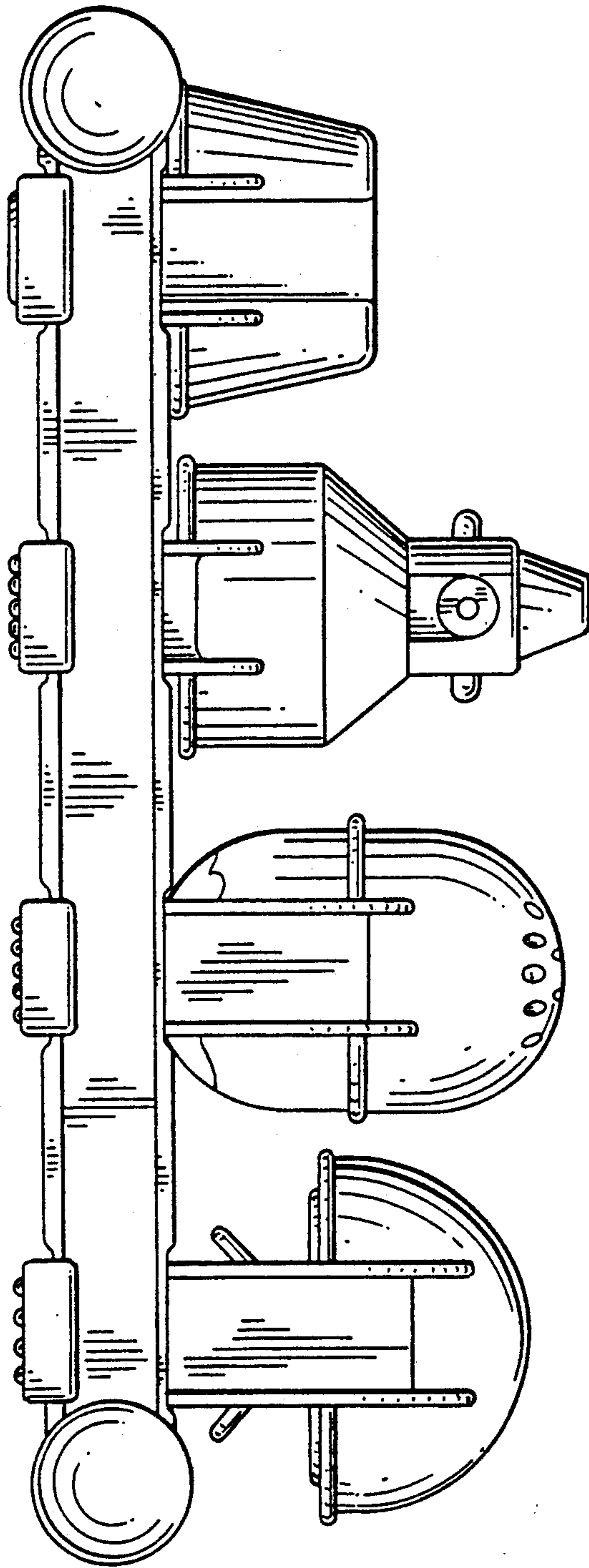


FIG. 3

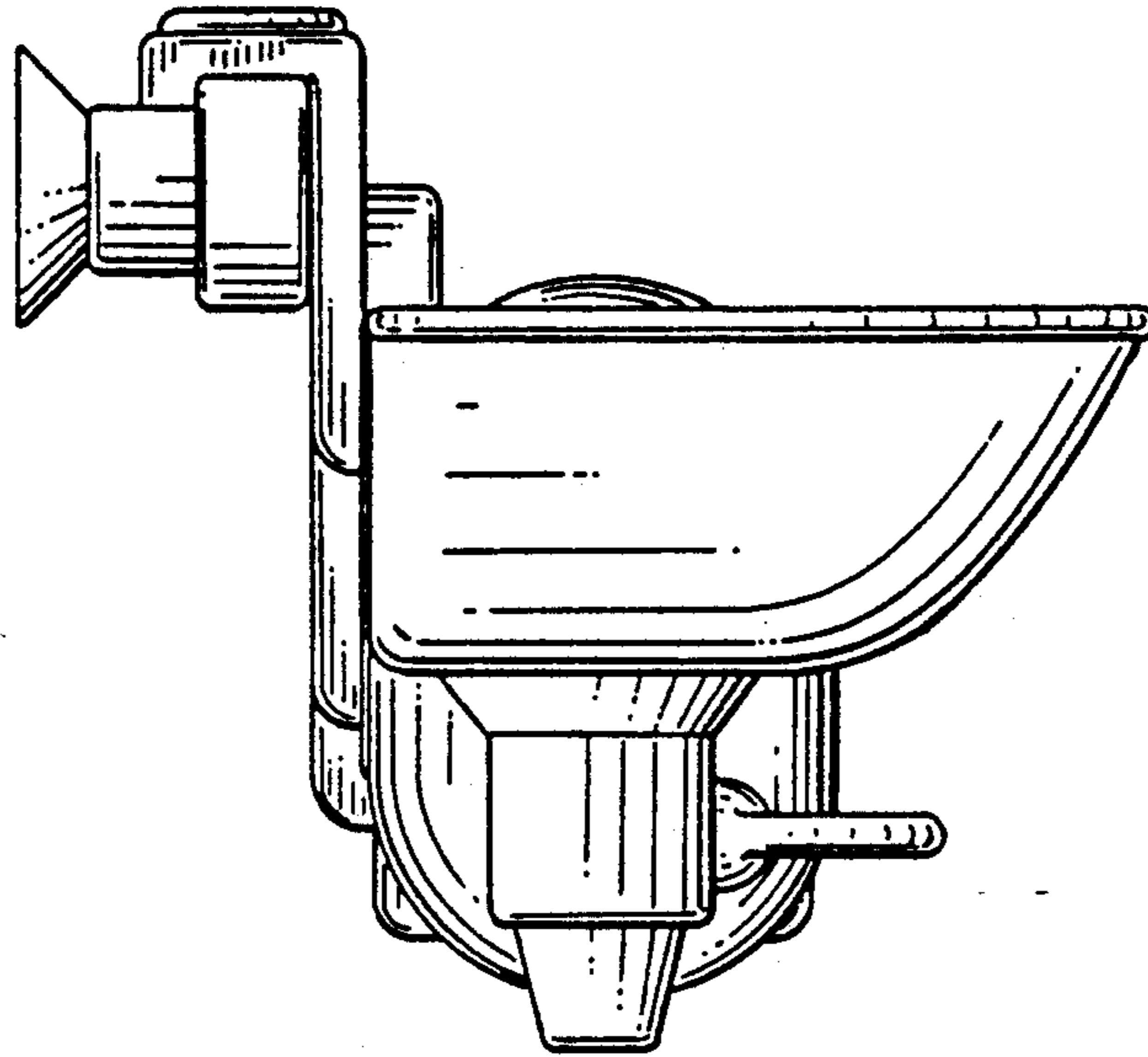


FIG. 4

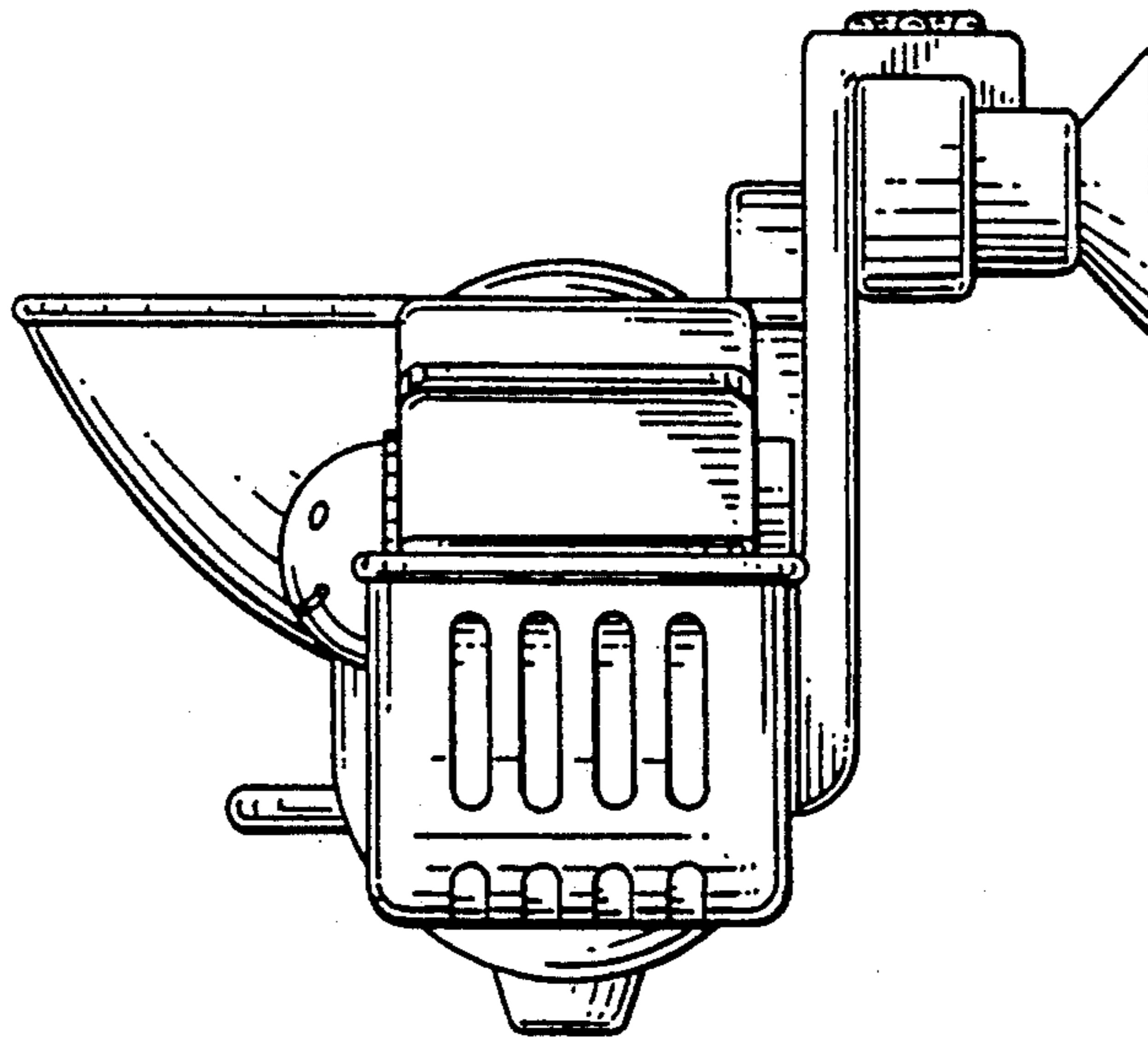


FIG. 5

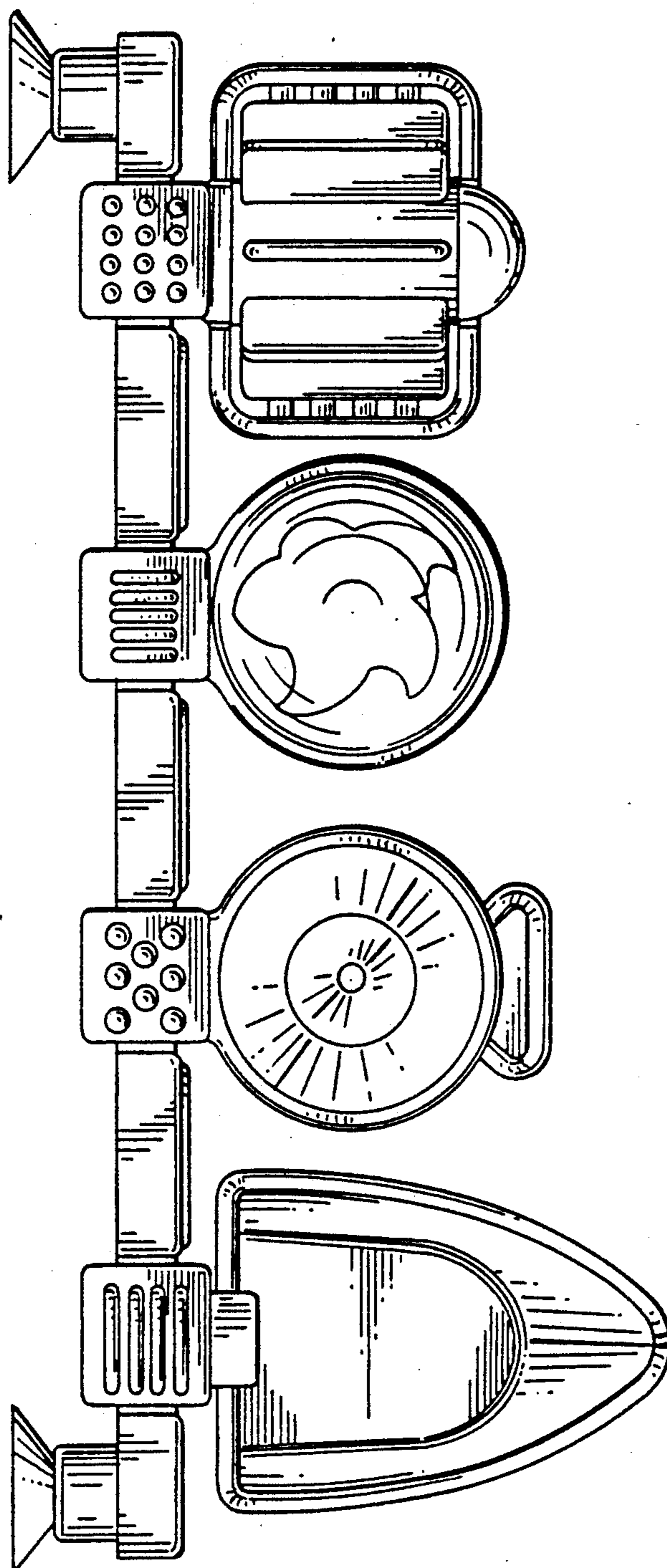


FIG. 6

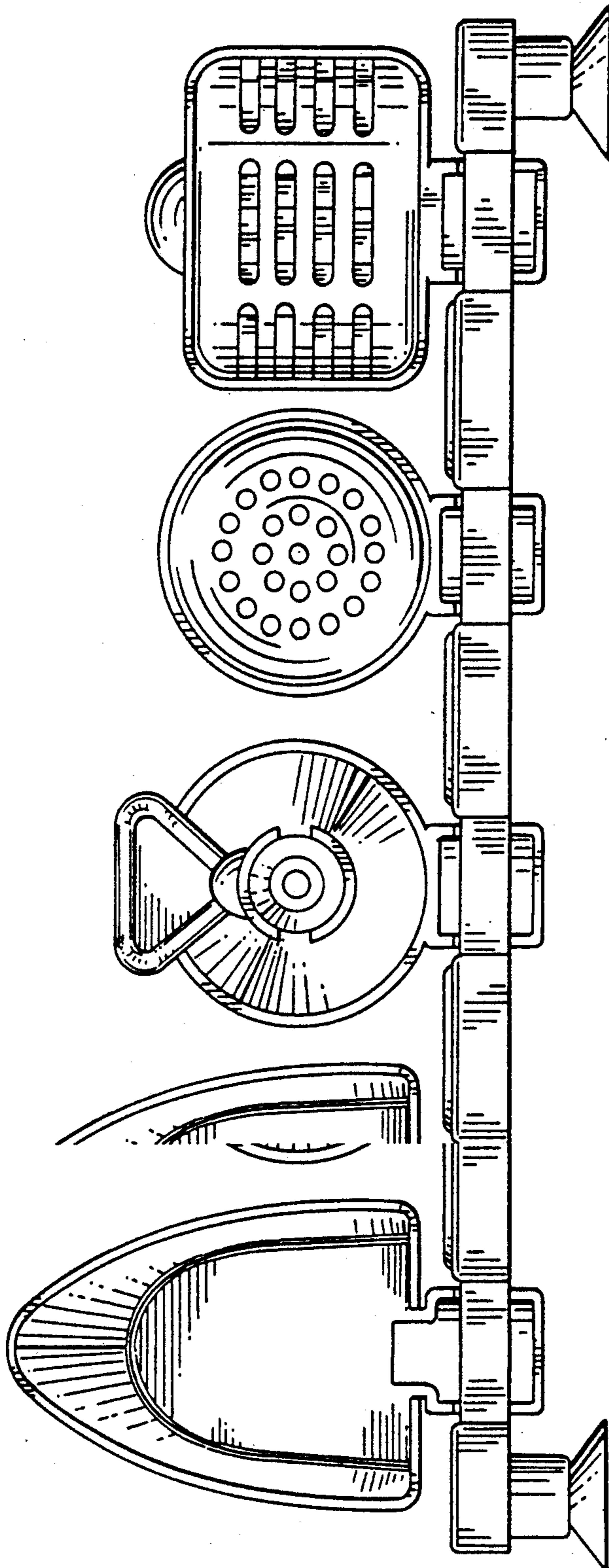


FIG. 7