

[54] FOLDABLE TRAY FOR PUZZLE OR THE LIKE

3,151,741 10/1964 Haecker D21/15 X
3,346,259 10/1967 Froehlig 273/285
3,458,216 7/1969 Harrison 273/285 X

[76] Inventor: George Annand, 332 Mastin Plz., Ridgewood, N.J. 07450

Primary Examiner—Bernard Ansher
Assistant Examiner—Prabhakar Deshmukh
Attorney, Agent, or Firm—Evelyn M. Sommer

[**] Term: 14 Years

[21] Appl. No.: 259,899

[57] CLAIM

The ornamental design for a foldable tray for puzzle or the like, as shown and described.

[22] Filed: Oct. 19, 1988

[52] U.S. Cl. D21/14

DESCRIPTION

[58] Field of Search D21/14, 15, 48, 34;
273/285, 236, 287; D19/52, 54; D25/119;
D6/429, 430, 431

FIG. 1 is a top plan view of a foldable tray for puzzle or the like showing my new design;
FIG. 2 is a bottom plan view thereof;
FIG. 3 is a rear elevation view thereof;
FIG. 4 is a front elevation thereof;
FIG. 5 is a left side elevation thereof;
FIG. 6 is a right side elevation thereof;
FIG. 7 is a perspective view thereof; showing assembly of parts for clarity of illustration; and
FIG. 8 is a perspective view of the board thereof; in folded position.

[56] References Cited

U.S. PATENT DOCUMENTS

- D. 162,842 4/1951 Klein D25/119
- D. 166,790 5/1952 Bell et al. D21/54
- D. 223,708 5/1972 Edwards D25/119 X
- D. 246,180 10/1977 Yamauchi D19/52
- D. 296,797 7/1980 Andrews D21/15
- D. 301,346 5/1989 Sjostrand et al. D21/15

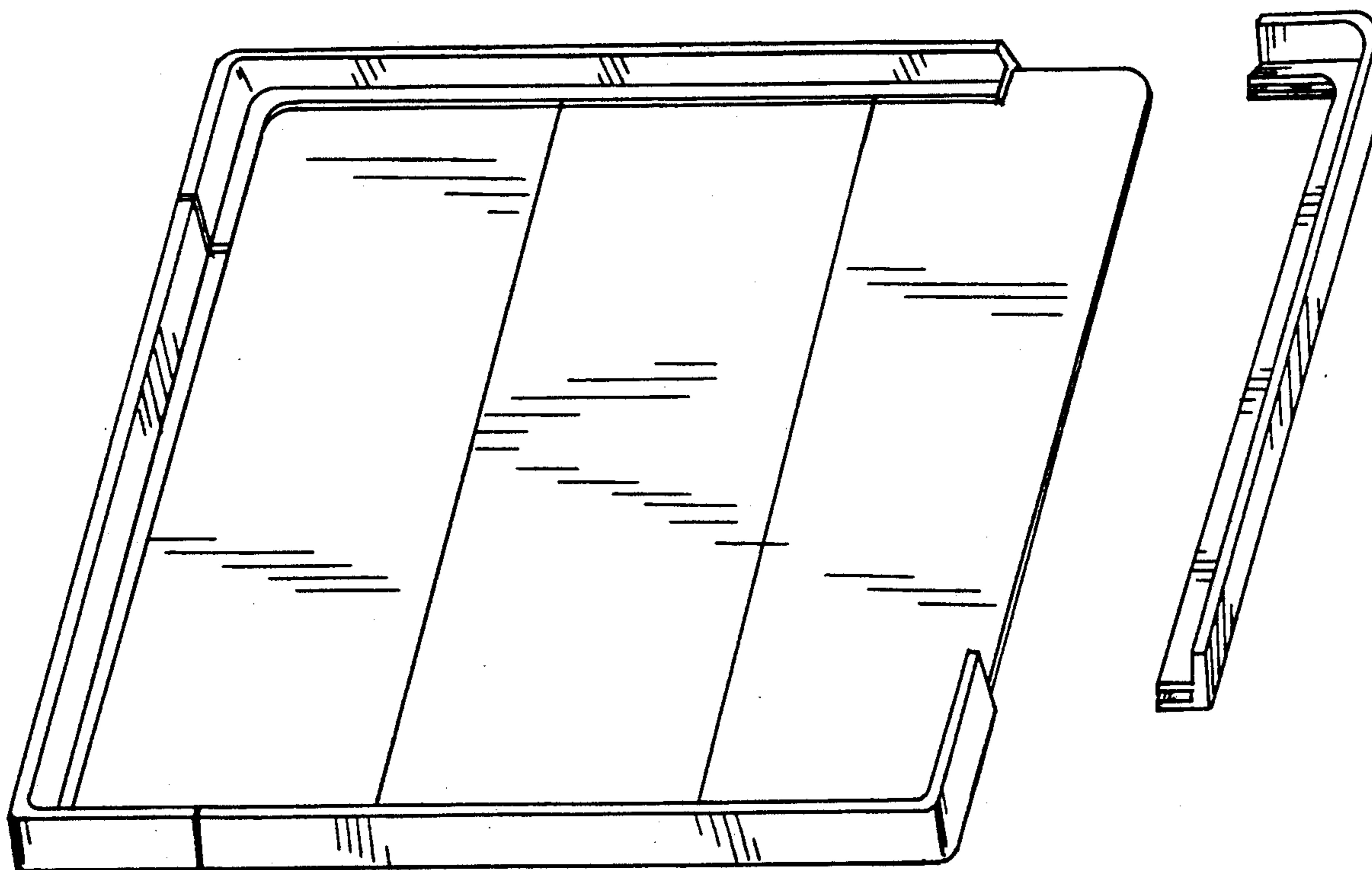


FIG. 1

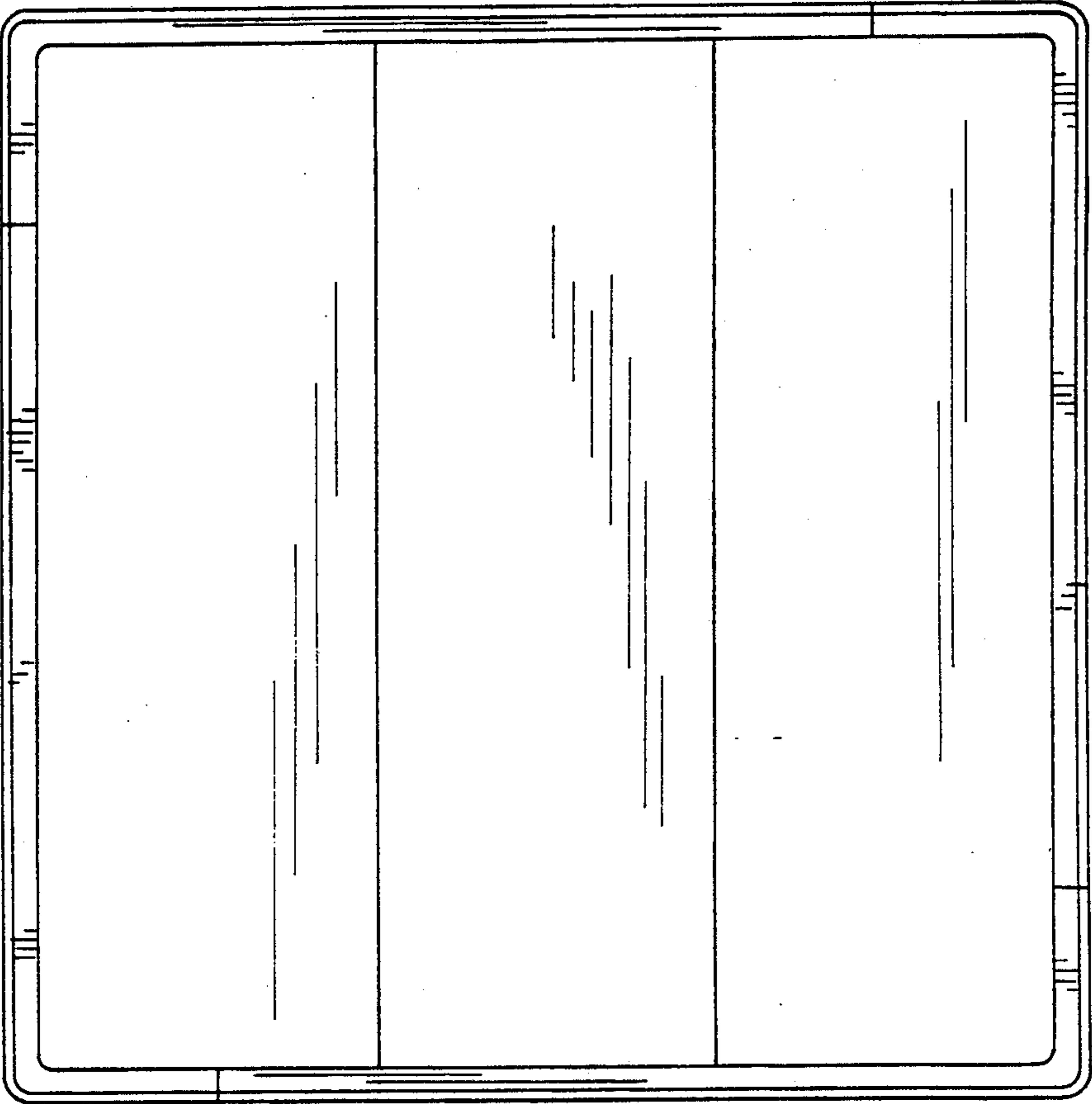


FIG. 2

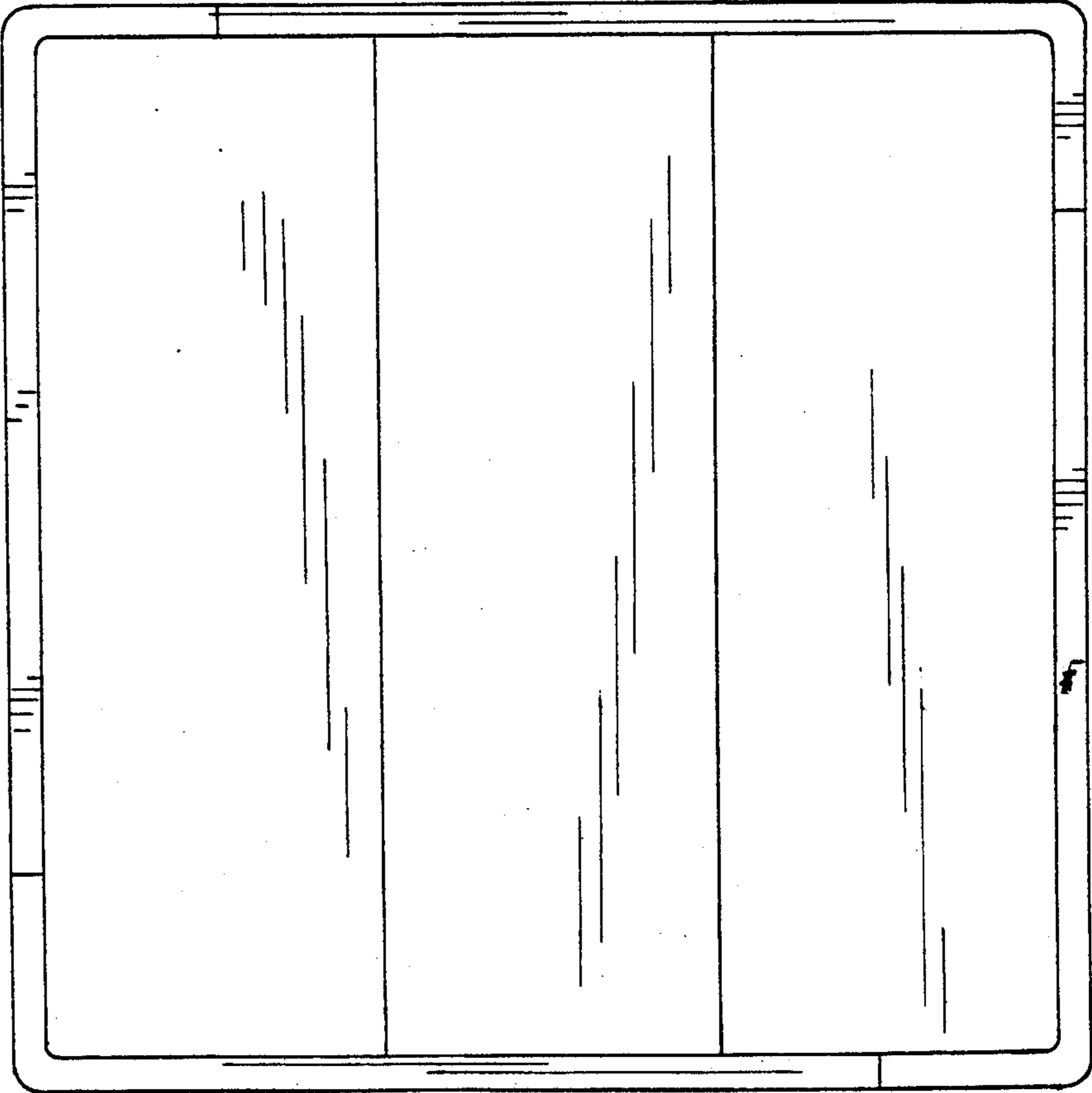




FIG. 3



FIG. 4



FIG. 5



FIG. 6

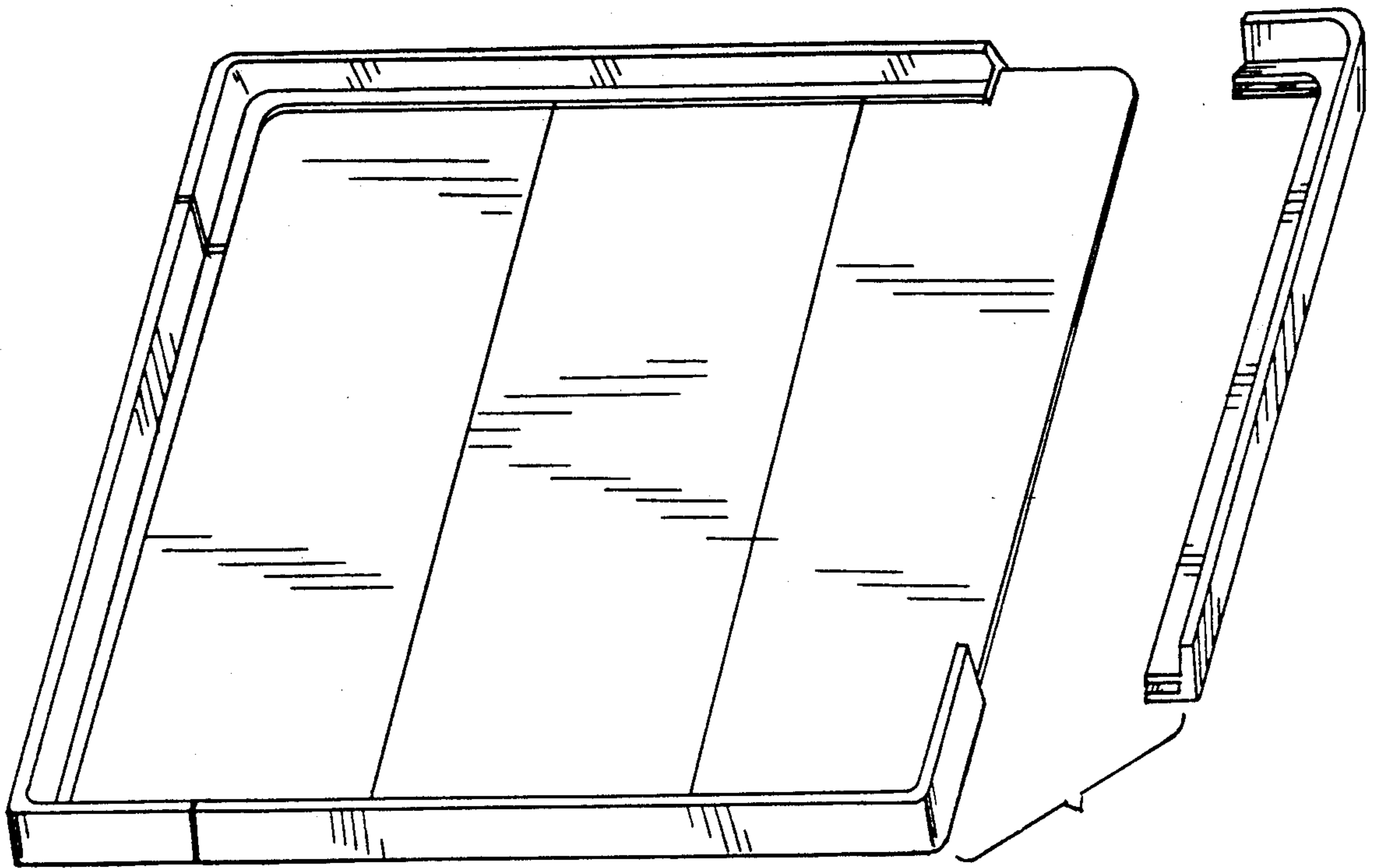


FIG. 7

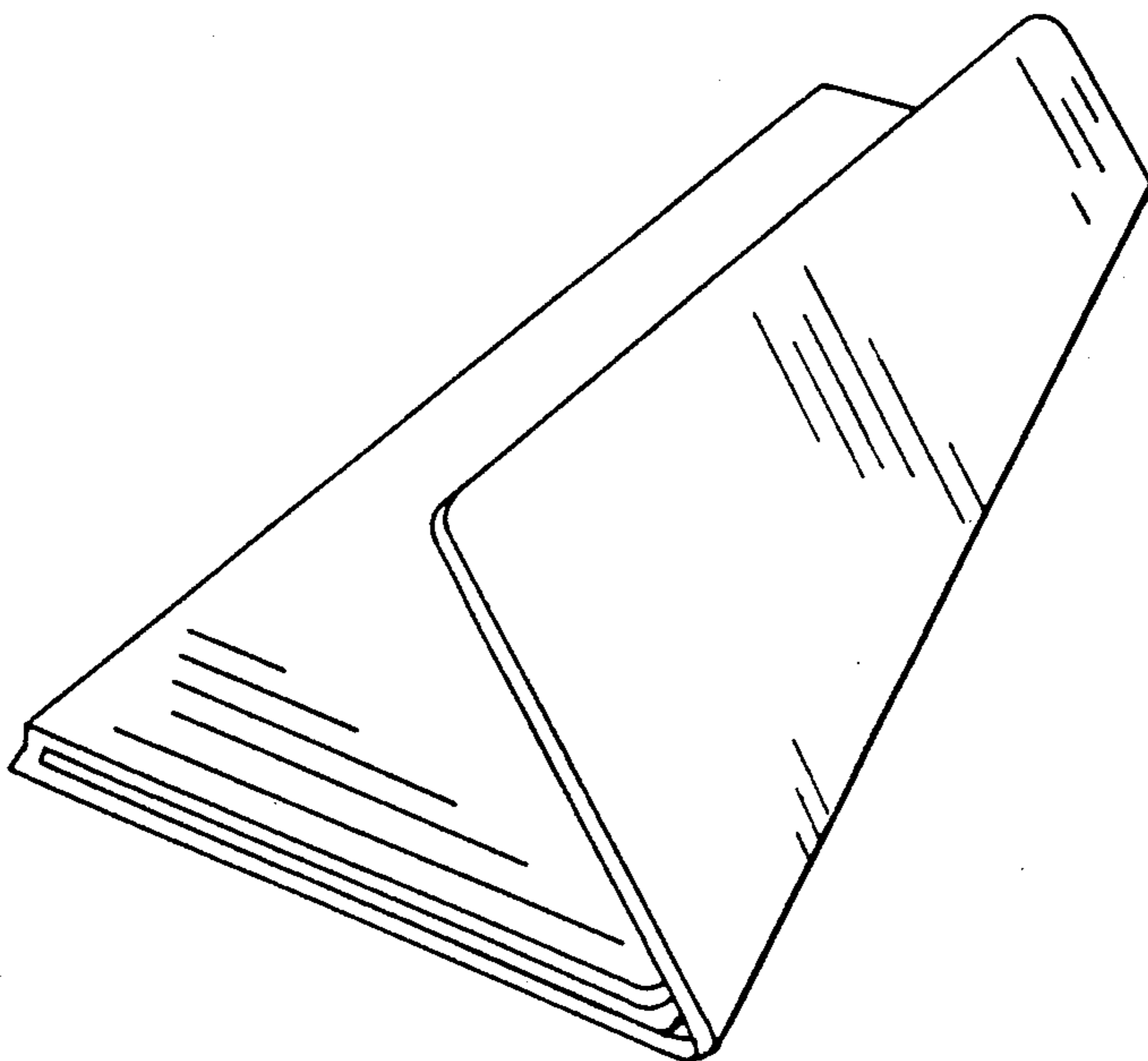


FIG. 8