

# United States Patent [19]

Chan

[11] Patent Number: **Des. 317,318**

[45] Date of Patent: **\*\* Jun. 4, 1991**

[54] CAMERA

[75] Inventor: **Yet Chan, Kowloon, Hong Kong**

[73] Assignee: **Achiever Industries Ltd., Kowloon, Hong Kong**

[\*\*] Term: **14 Years**

[21] Appl. No.: **155,648**

[22] Filed: **Feb. 12, 1988**

[30] Foreign Application Priority Data

Nov. 16, 1987 [GB] United Kingdom ..... 1046359

[52] U.S. Cl. .... **D16/209; D16/213; D16/218**

[58] Field of Search ..... **D16/200, 201, 202, 203, D16/208, 209, 210, 211, 212, 213, 216, 217, 218; 354/149.11, 219, 288**

[56] References Cited

### U.S. PATENT DOCUMENTS

D. 250,120 10/1978 Munakata et al. .... D16/218

D. 287,976 1/1987 Nakazawa et al. .... D16/211

D. 295,526 5/1988 Baba ..... D16/218  
4,685,787 8/1987 Kinnard ..... 354/219

### OTHER PUBLICATIONS

Hong Kong Enterprise, Nov. 1987, p. 239 (Epcot Camera).

*Primary Examiner*—Bernard Ansher  
*Assistant Examiner*—Adir Aronovich  
*Attorney, Agent, or Firm*—Burns, Doane, Swecker & Mathis

[57] CLAIM

The ornamental design for a camera, as shown.

### DESCRIPTION

FIG. 1 is a front elevational view of a camera showing my new design;  
FIG. 2 is a bottom plan view thereof;  
FIG. 3 is a left side elevational view thereof;  
FIG. 4 is a top plan view thereof;  
FIG. 5 is a rear elevational view thereof;  
FIG. 6 is a right side elevational view thereof; and  
FIG. 7 is a perspective view thereof.

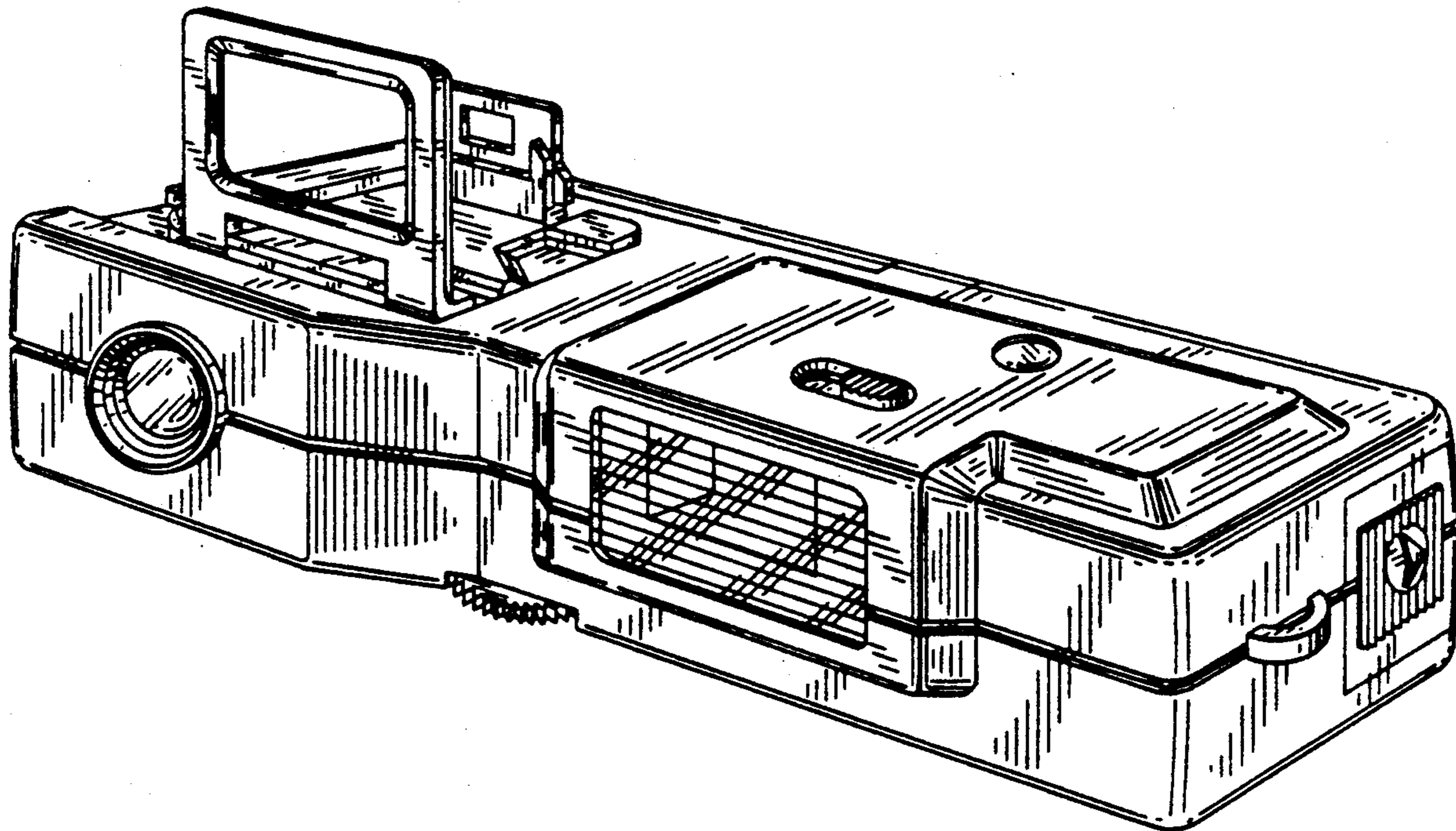


FIG. 1

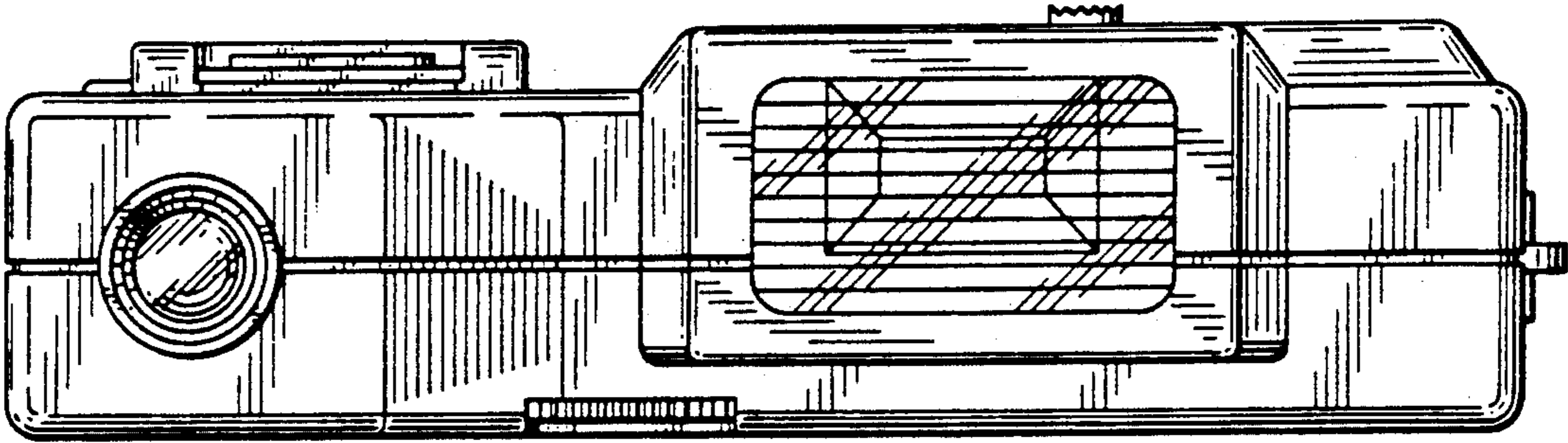


FIG. 2

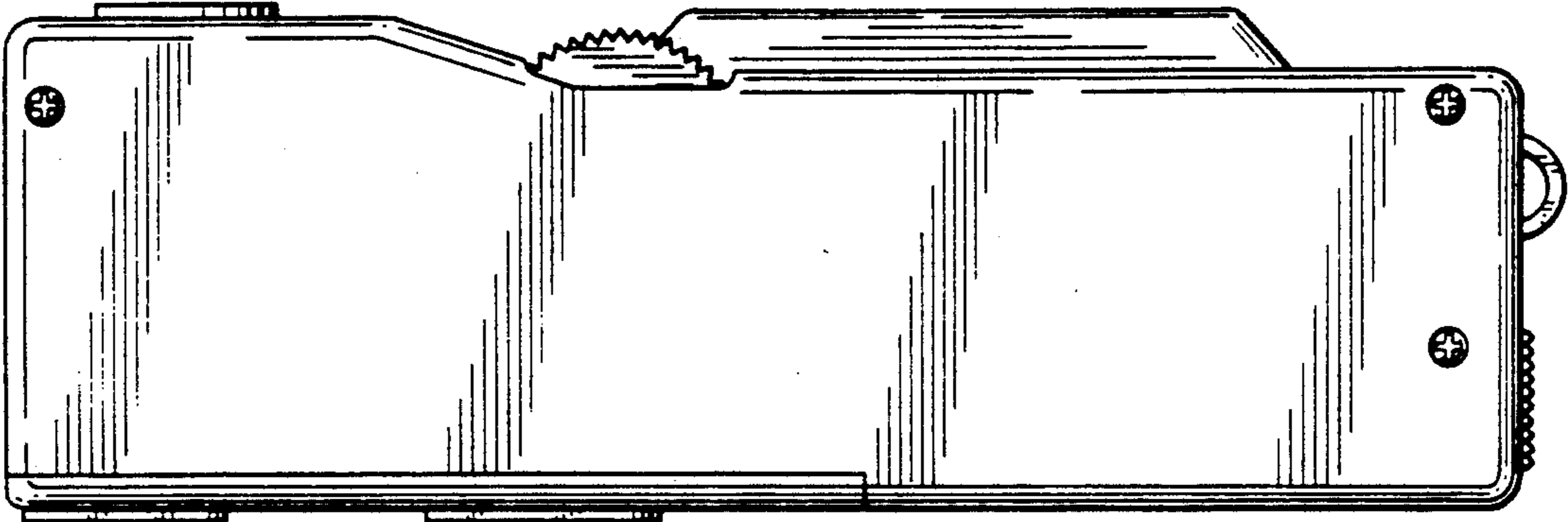


FIG. 3

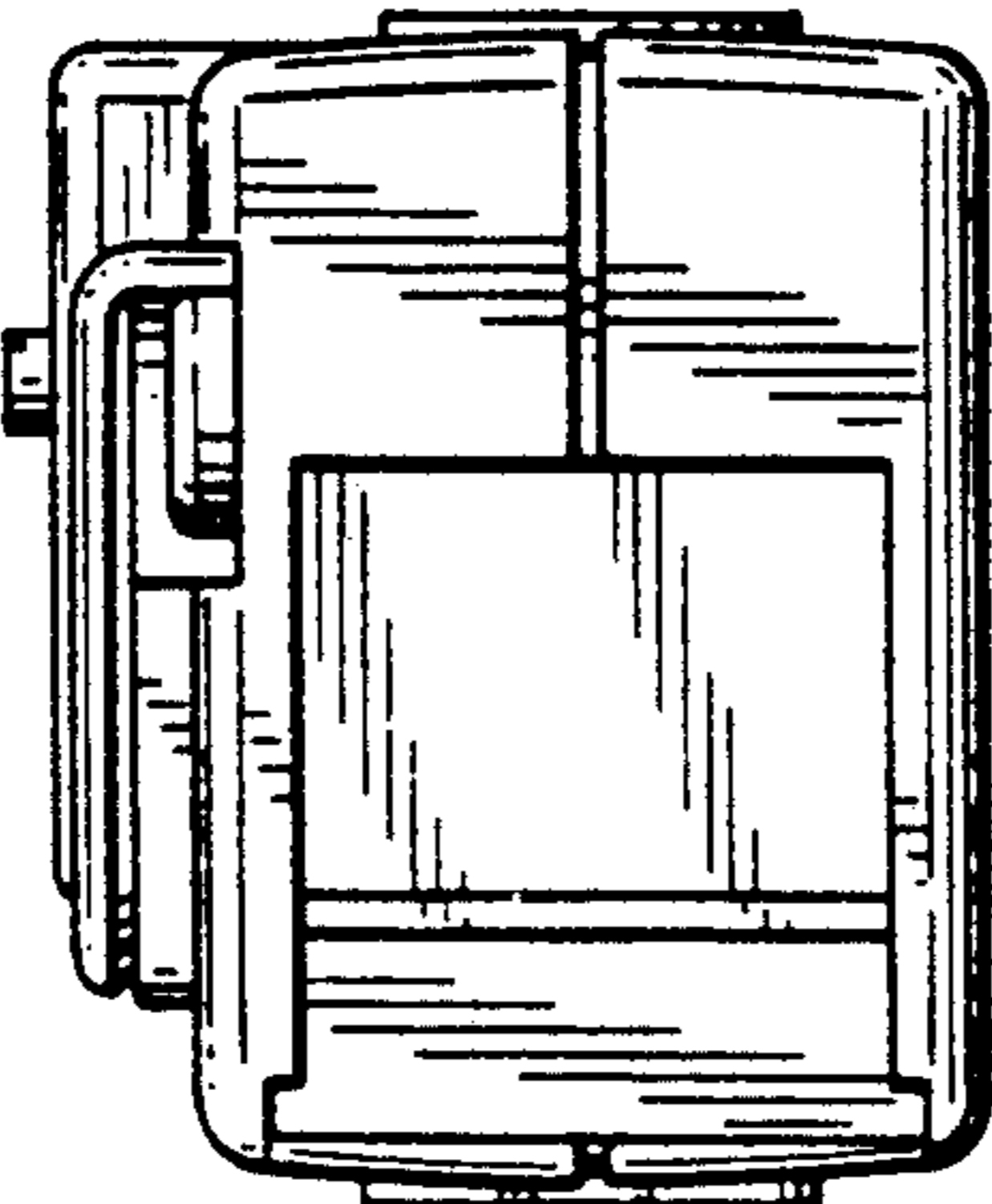


FIG. 4

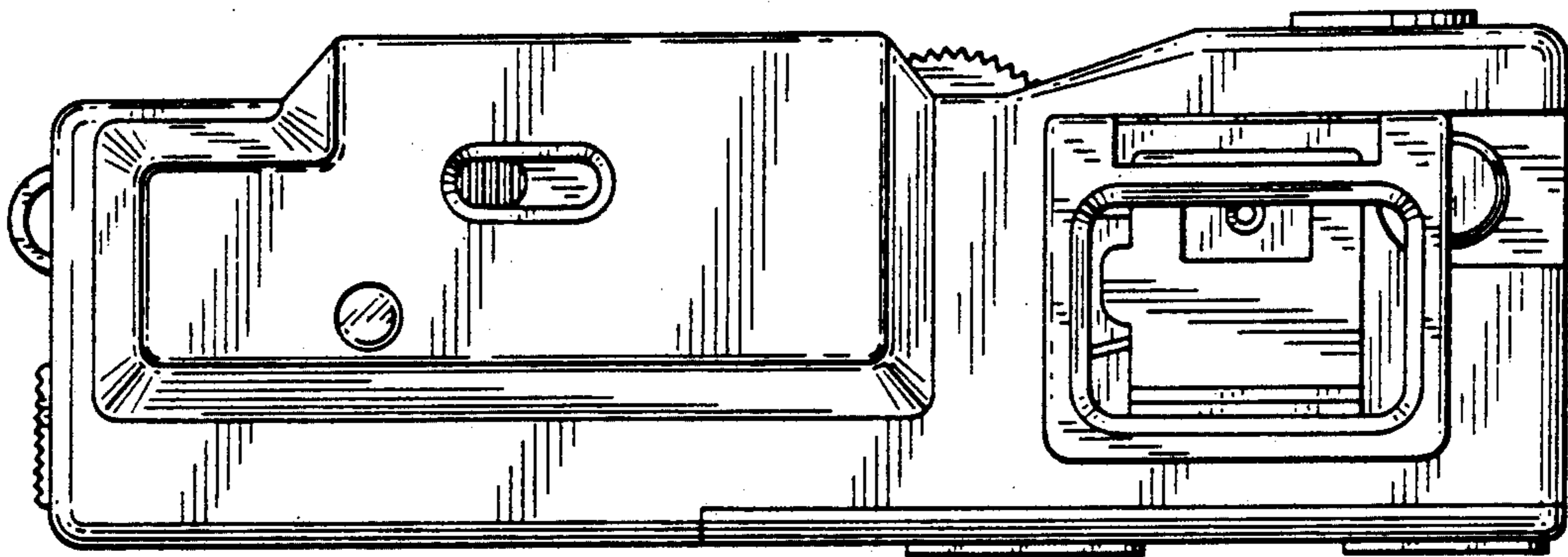


FIG. 5

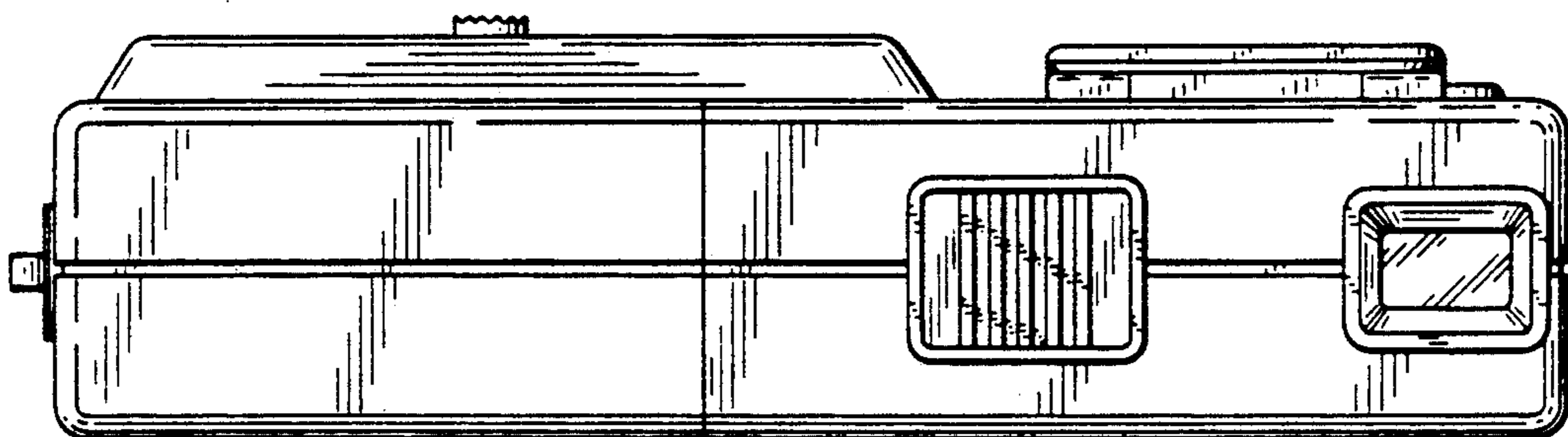


FIG. 6

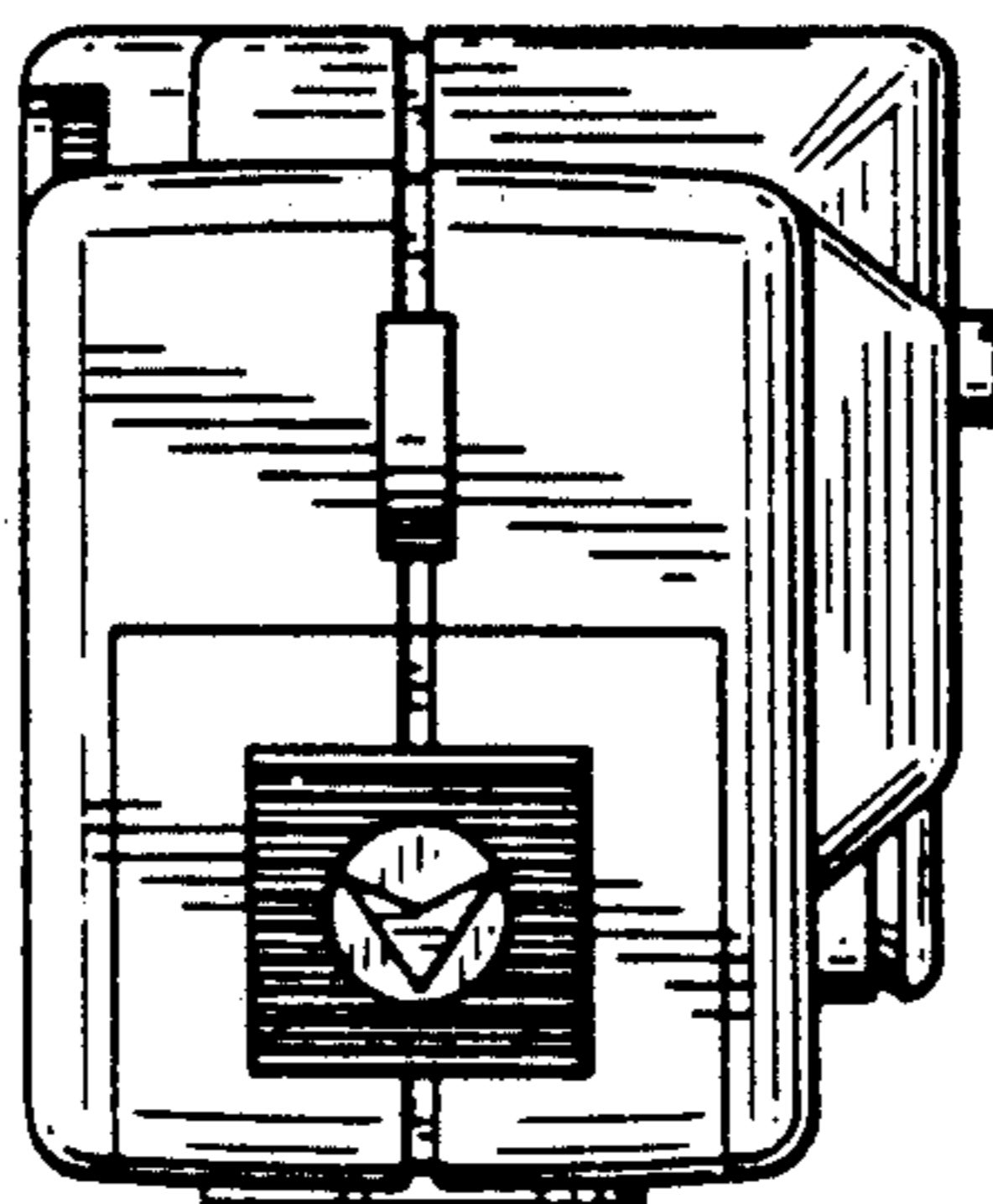


FIG. 7

