

[54] LUBRICATOR

[75] Inventors: Kouichi Miyake, Kani; Tatsuaki Aoyama, Ichinomiya; Hisanobu Niwa, Komaki, all of Japan

[73] Assignee: CKD Kabushiki Kaisha, Komaki, Japan

[**] Term: 14 Years

[21] Appl. No.: 330,738

[22] Filed: Mar. 30, 1989

[30] Foreign Application Priority Data

Sep. 30, 1988 [JP] Japan 63-38444

[52] U.S. Cl. D15/150; D23/209

[58] Field of Search D15/150; D23/200, 207, D23/209, 233-237, 243-247; 357/453; 137/237; 184/26, 55.1, 55.2, 103.1

[56] References Cited

U.S. PATENT DOCUMENTS

D. 96,405	7/1935	Murphy	D23/235
D. 103,582	3/1937	Murphy	D23/235
D. 106,584	10/1937	Russel	D23/235
D. 106,585	10/1937	Russel	D23/235
D. 145,393	8/1946	Folke et al.	D15/150
D. 192,398	3/1962	Grove	D23/245
D. 234,356	2/1975	Holden et al.	D23/209
D. 234,357	2/1975	Humphrey	D23/209
D. 234,359	2/1975	Holden et al.	D23/235

D. 234,843	4/1975	Taylor	D23/207
D. 236,263	8/1975	Dussardier et al.	D23/209
D. 236,264	8/1975	Taylor	D23/209
D. 236,265	8/1975	Dussardier	D23/209
D. 301,917	6/1989	Ogasawara et al.	D23/235
2,318,721	5/1943	Siver	D23/235
2,865,469	12/1958	Lyden	184/55.2
2,887,181	5/1959	Dillon	184/55.2
3,720,290	3/1973	Lansky et al.	184/55.2
3,912,046	10/1975	Ferguson et al.	184/55.2
4,291,785	9/1981	Matysak	184/55.2
4,342,376	8/1982	Lyden	184/103.1
4,721,186	1/1988	Fujikira	184/55.1

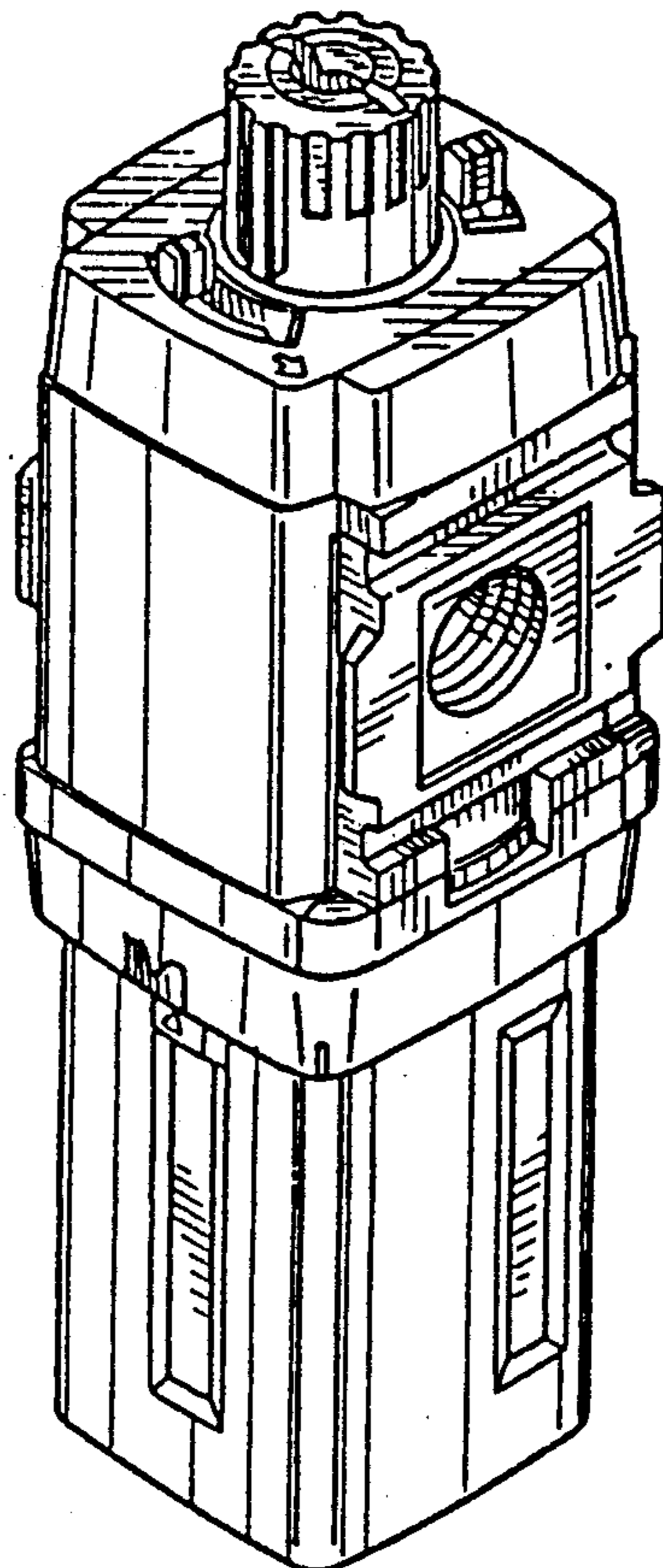
Primary Examiner—James R. Largen
Assistant Examiner—Demetrius Reynolds
Attorney, Agent, or Firm—Neuman, Williams, Anderson & Olson

[57] CLAIM

The ornamental design for a lubricator, as shown.

DESCRIPTION

FIG. 1 is a left side elevational view of a lubricator showing my new design;
FIG. 2 is a front elevational view thereof;
FIG. 3 is a right side elevational view thereof;
FIG. 4 is a rear elevational view thereof;
FIG. 5 is a top plan view thereof;
FIG. 6 is a bottom plan view thereof; and
FIG. 7 is a front, top and right side perspective view thereof.



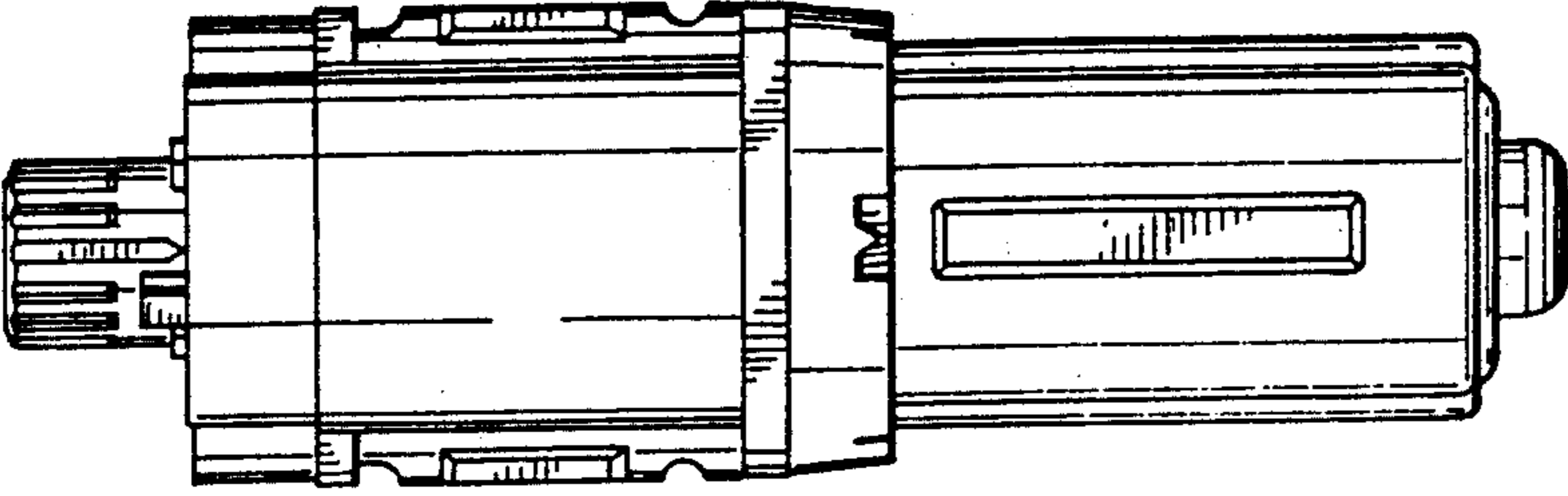


FIG. 1

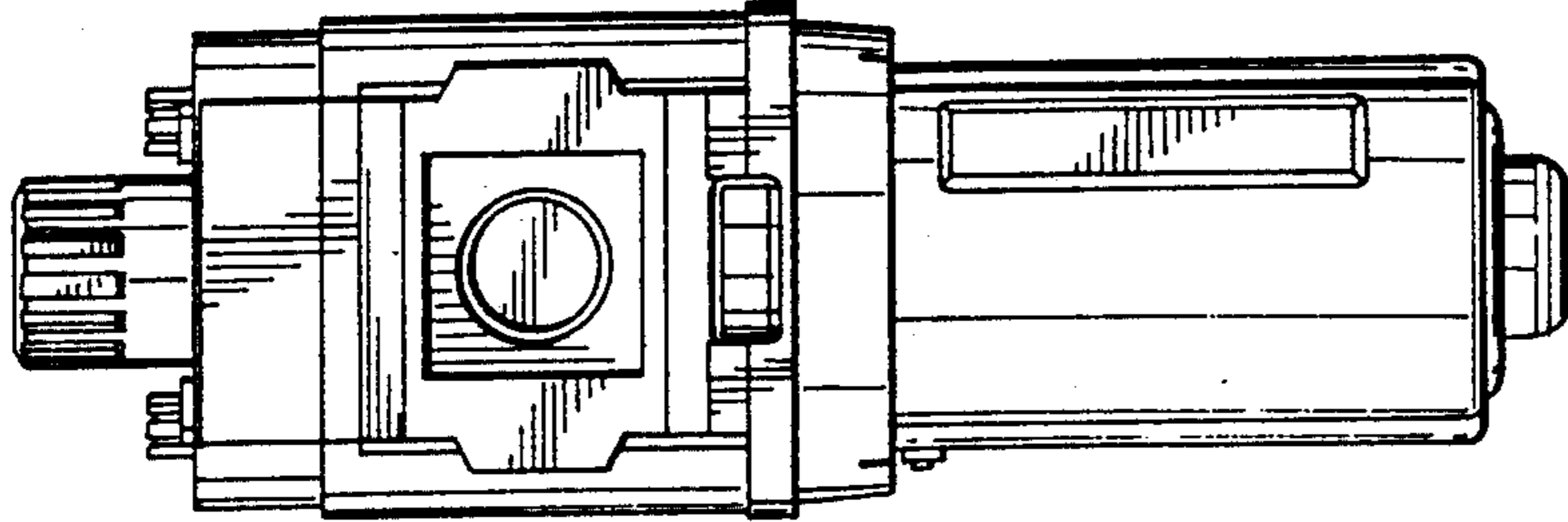


FIG. 2

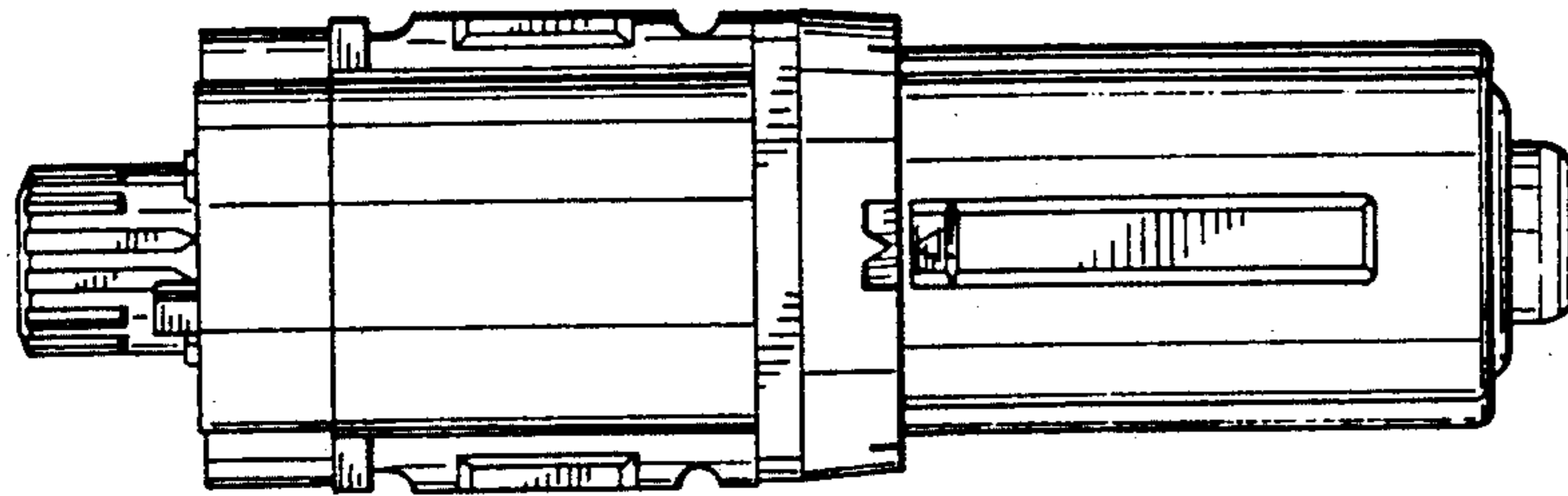


FIG. 3

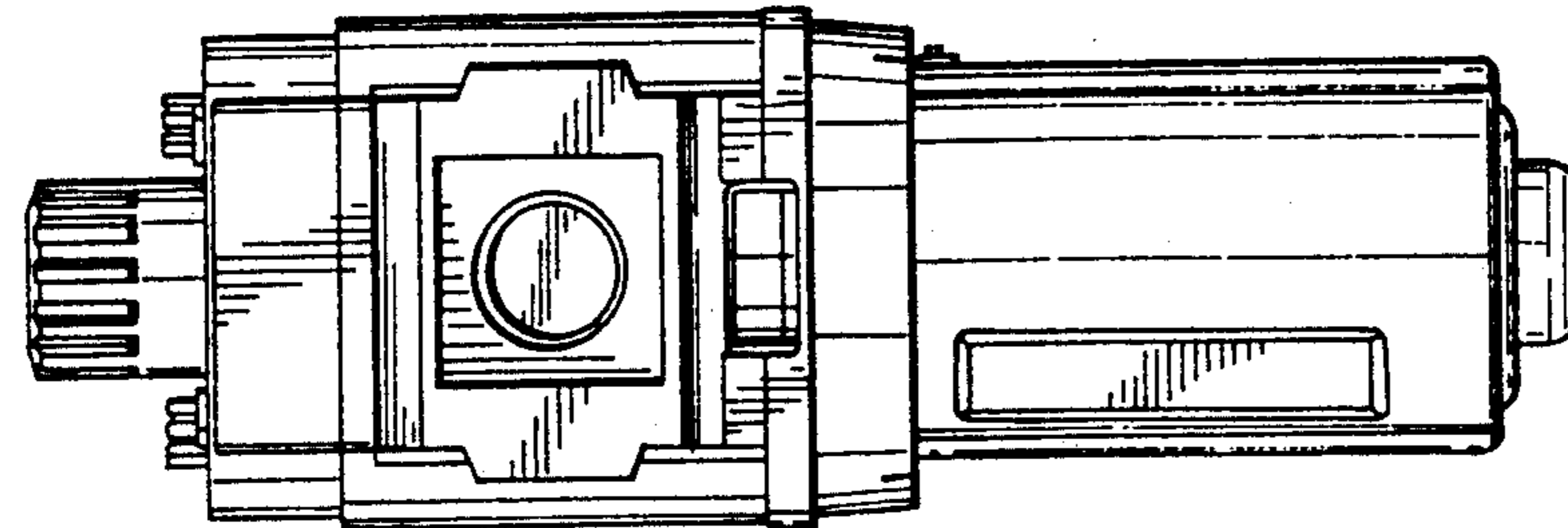


FIG. 4

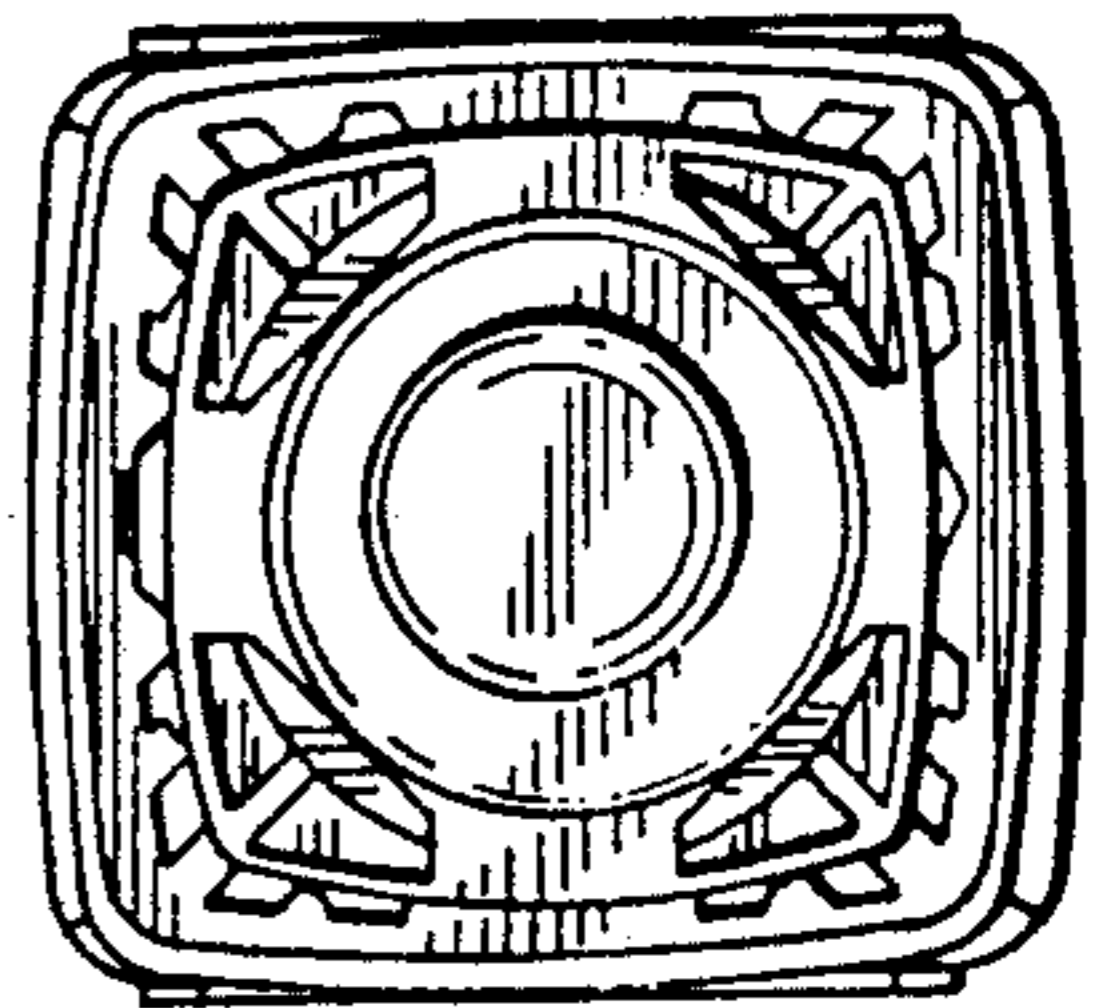


FIG. 5

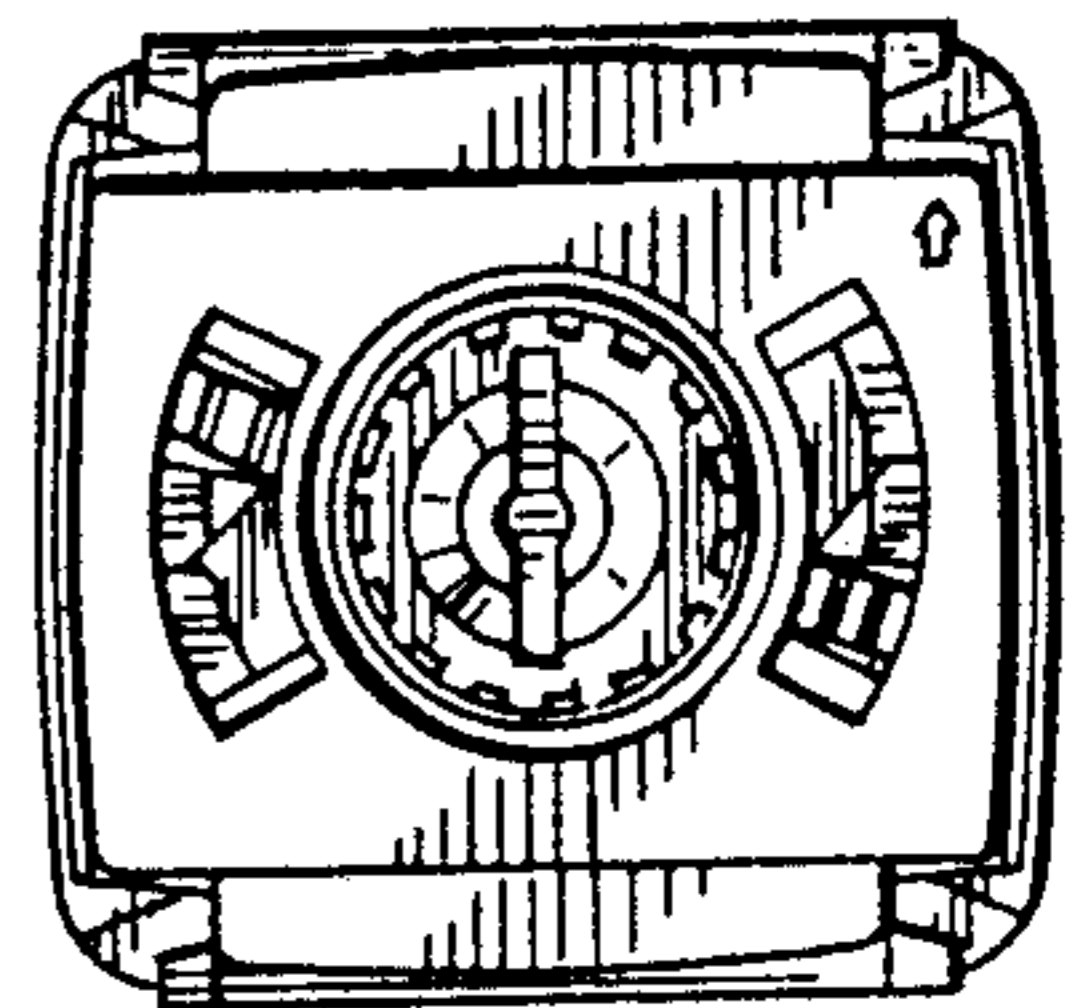


FIG. 6

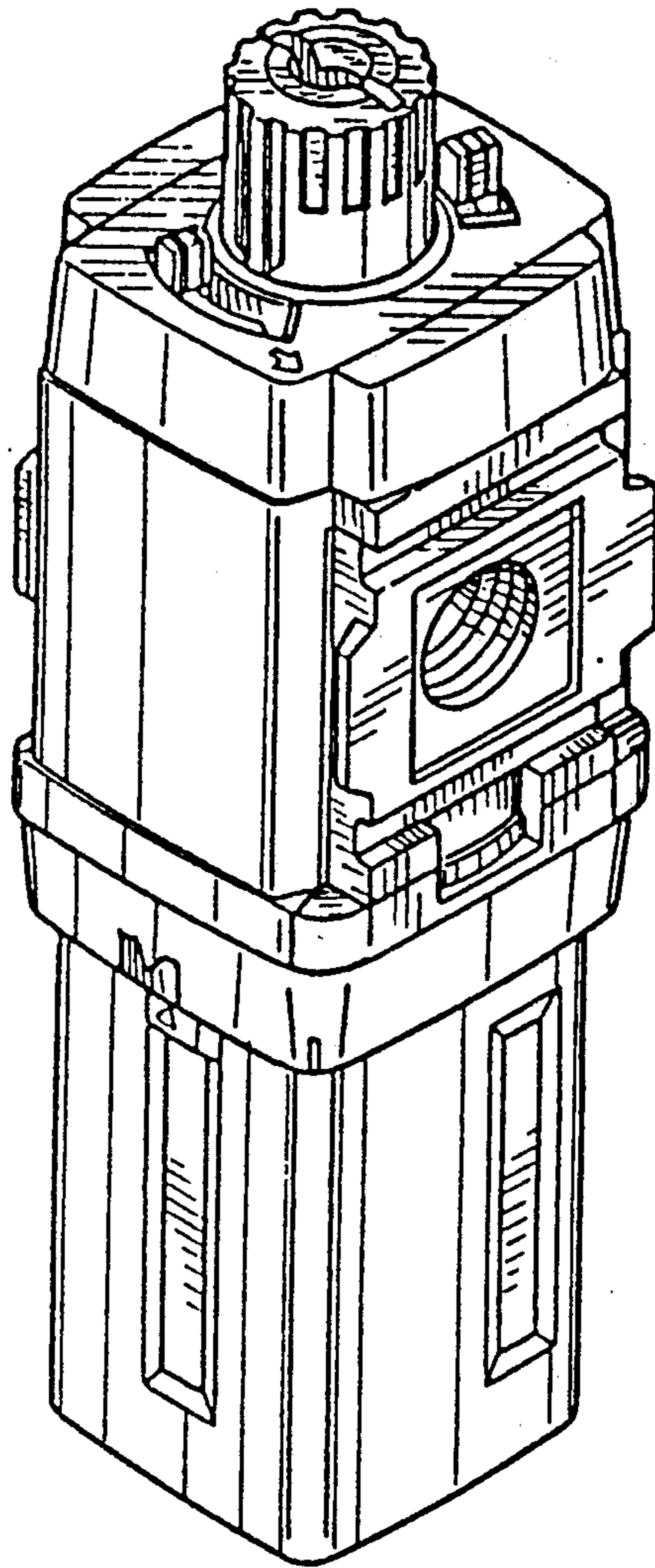


FIG. 7