

[54] **AGRICULTURAL CHEMICAL SPRAYER**

[75] **Inventor: Eiji Yanagi, Chiba, Japan**  
 [73] **Assignee: Maruyama Mfg. Co., Inc., Tokyo, Japan**

[\*\*] **Term: 14 Years**

[21] **Appl. No.: 262,012**

[22] **Filed: Oct. 25, 1988**

[52] **U.S. Cl. .... D15/13**

[58] **Field of Search ..... D15/10, 13, 14;  
 47/48.5; 239/77, 78, 172**

[56] **References Cited**

**U.S. PATENT DOCUMENTS**

D. 205,404	8/1966	Wolford	.....	D15/13
D. 241,349	9/1976	Parke	.....	D15/13
3,489,351	1/1970	Patterson	.....	239/77
4,465,233	8/1984	Ballu	.....	239/77
4,823,268	4/1989	Giles et al.	.....	239/77

**FOREIGN PATENT DOCUMENTS**

58-2441 1/1983 Japan .  
 59-6902 3/1984 Japan .  
 59-6903 3/1984 Japan .

*Primary Examiner*—B. J. Bullock  
*Assistant Examiner*—Sandra Morris  
*Attorney, Agent, or Firm*—Fleit, Jacobson, Cohn, Price, Holman & Stern

[57] **CLAIM**

The ornamental design for an agricultural chemical sprayer, as shown and described.

**DESCRIPTION**

FIG. 1 is a front elevational view of the agricultural chemical sprayer showing my new design; FIG. 2 is a rear elevational view thereof; FIG. 3 is a top plan view thereof; FIG. 4 is a bottom plan view thereof; FIG. 5 is a left side elevational view thereof; FIG. 6 is a right side elevational view thereof; FIG. 7 is a rear perspective view thereof; and FIG. 8 is a front perspective view thereof.

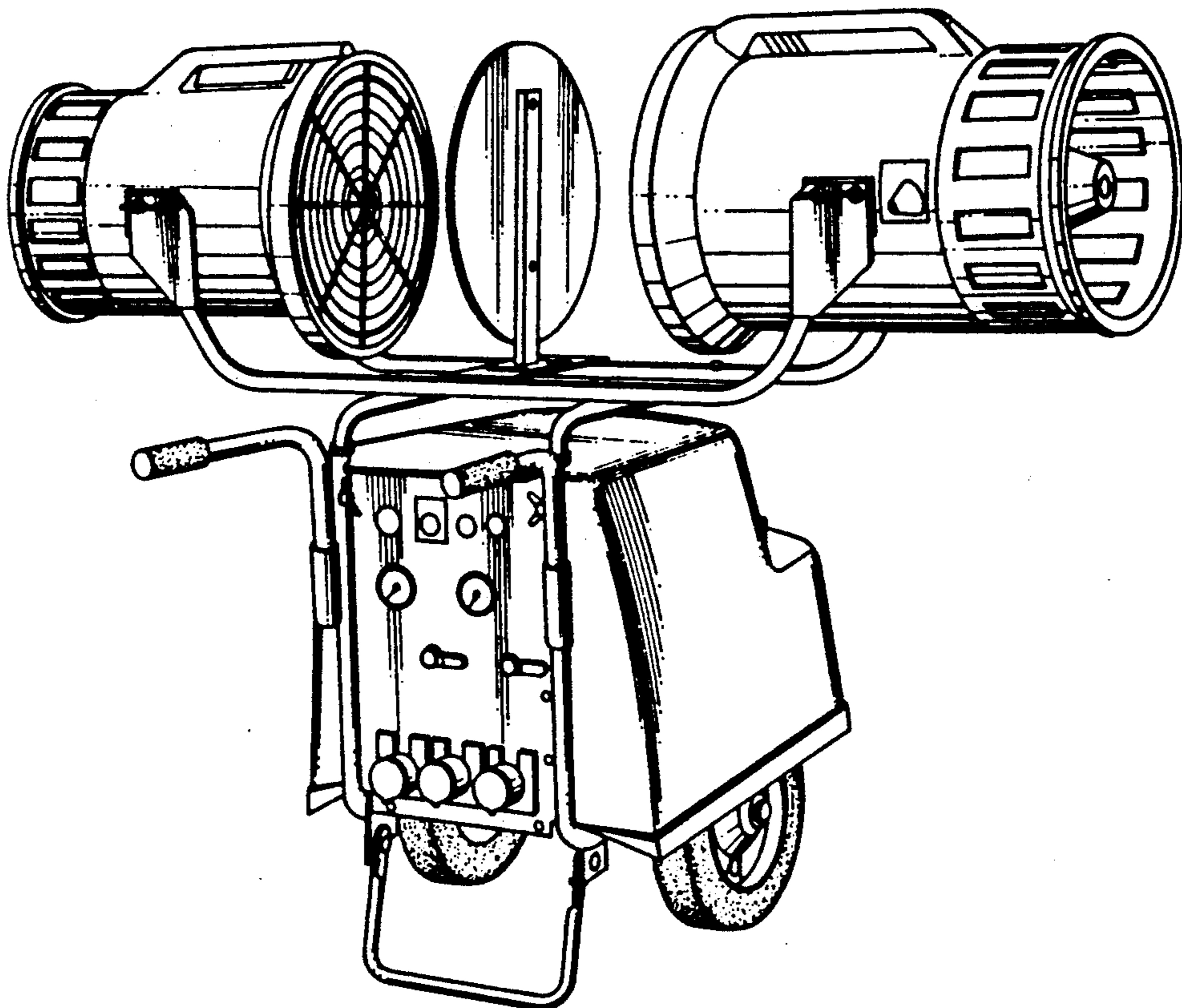


FIG. 1

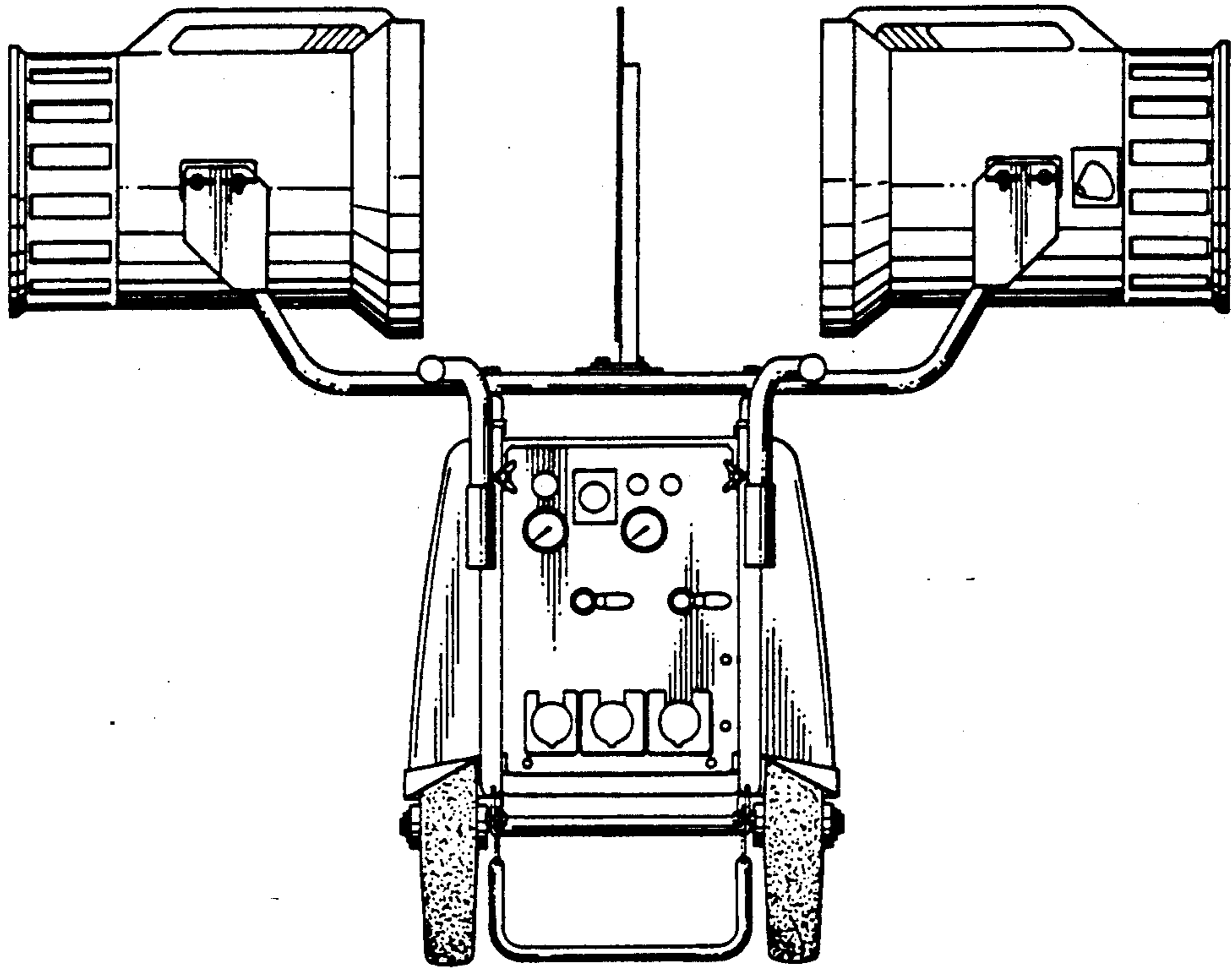


FIG. 2

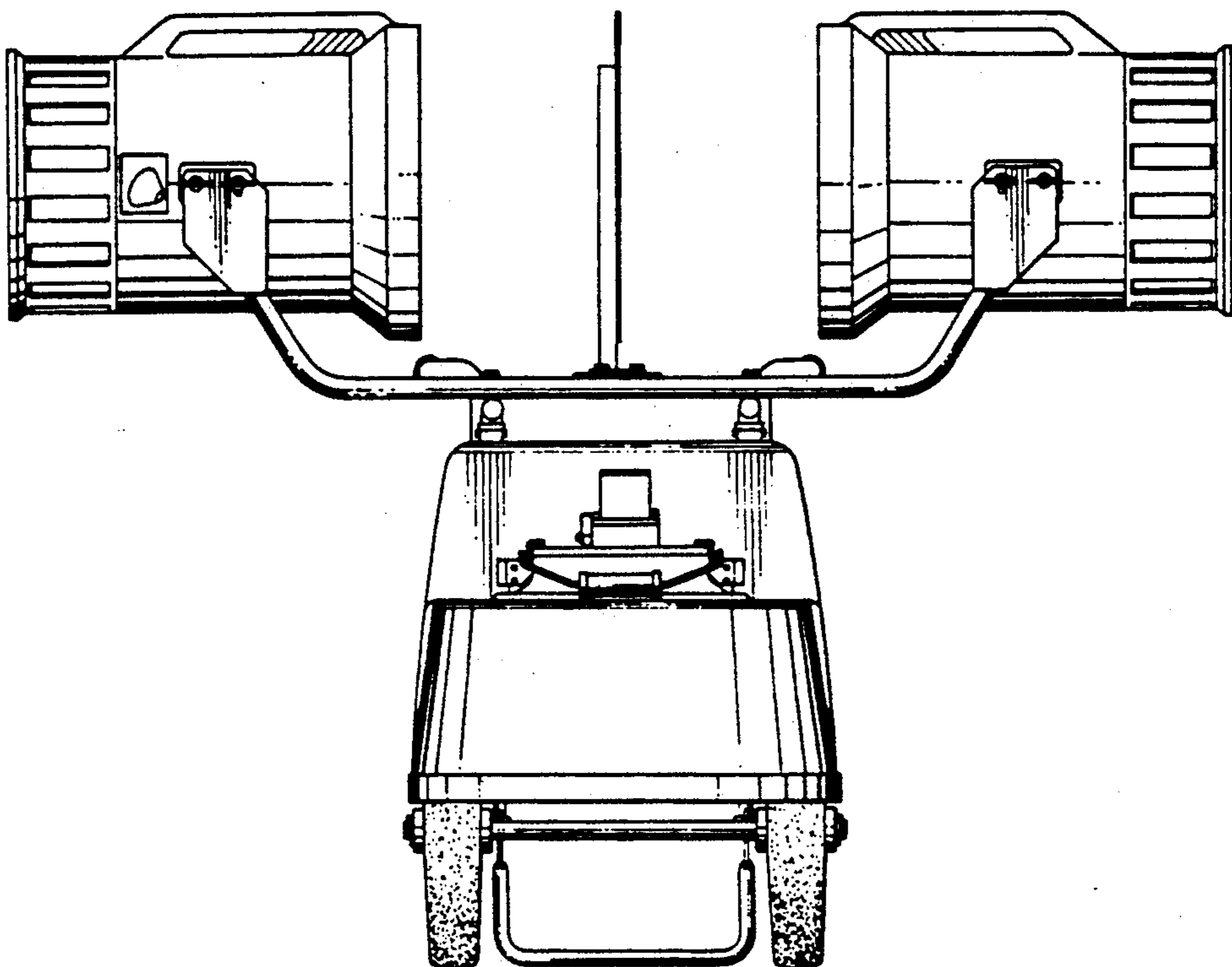


FIG. 3

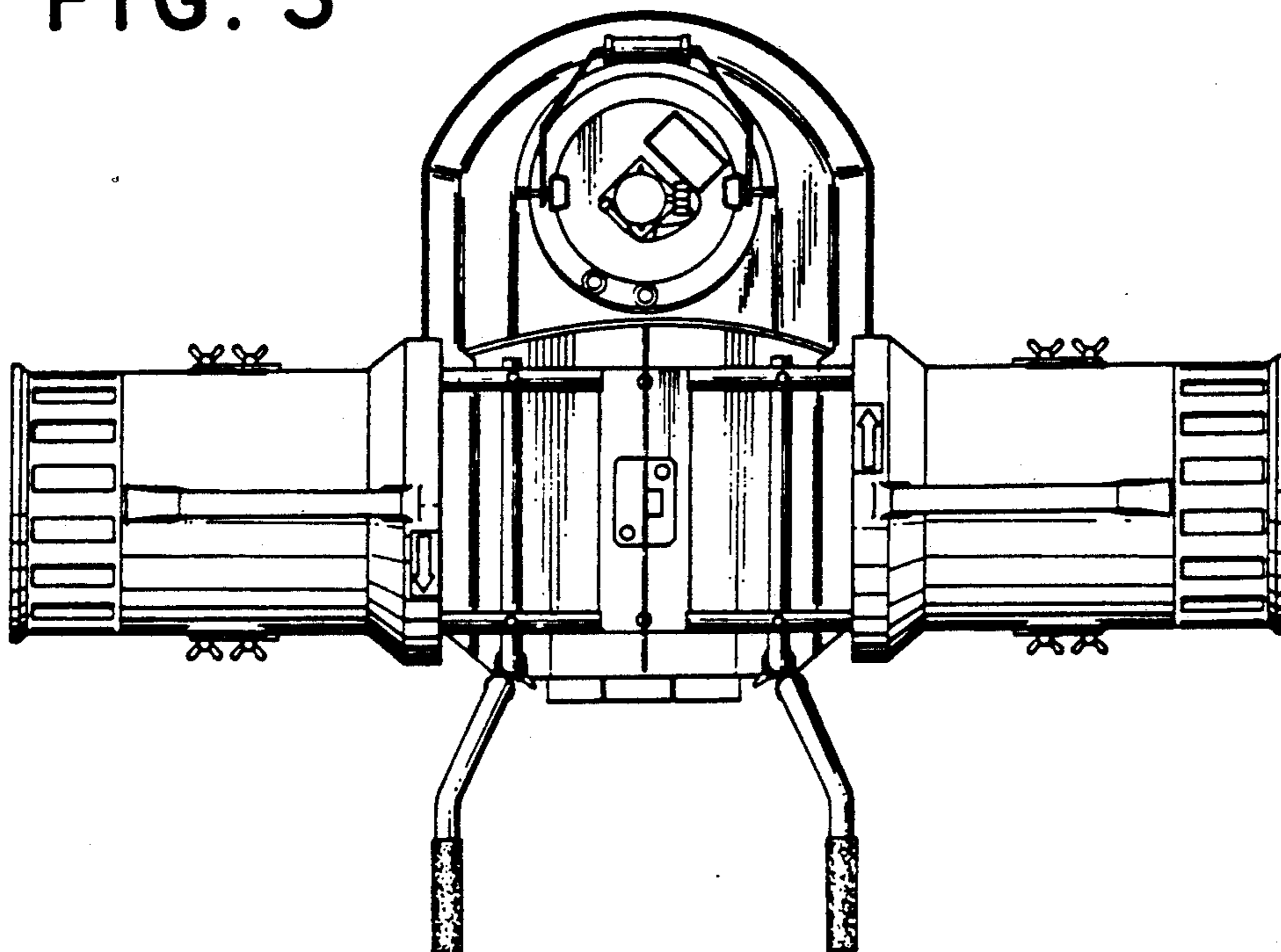


FIG. 4

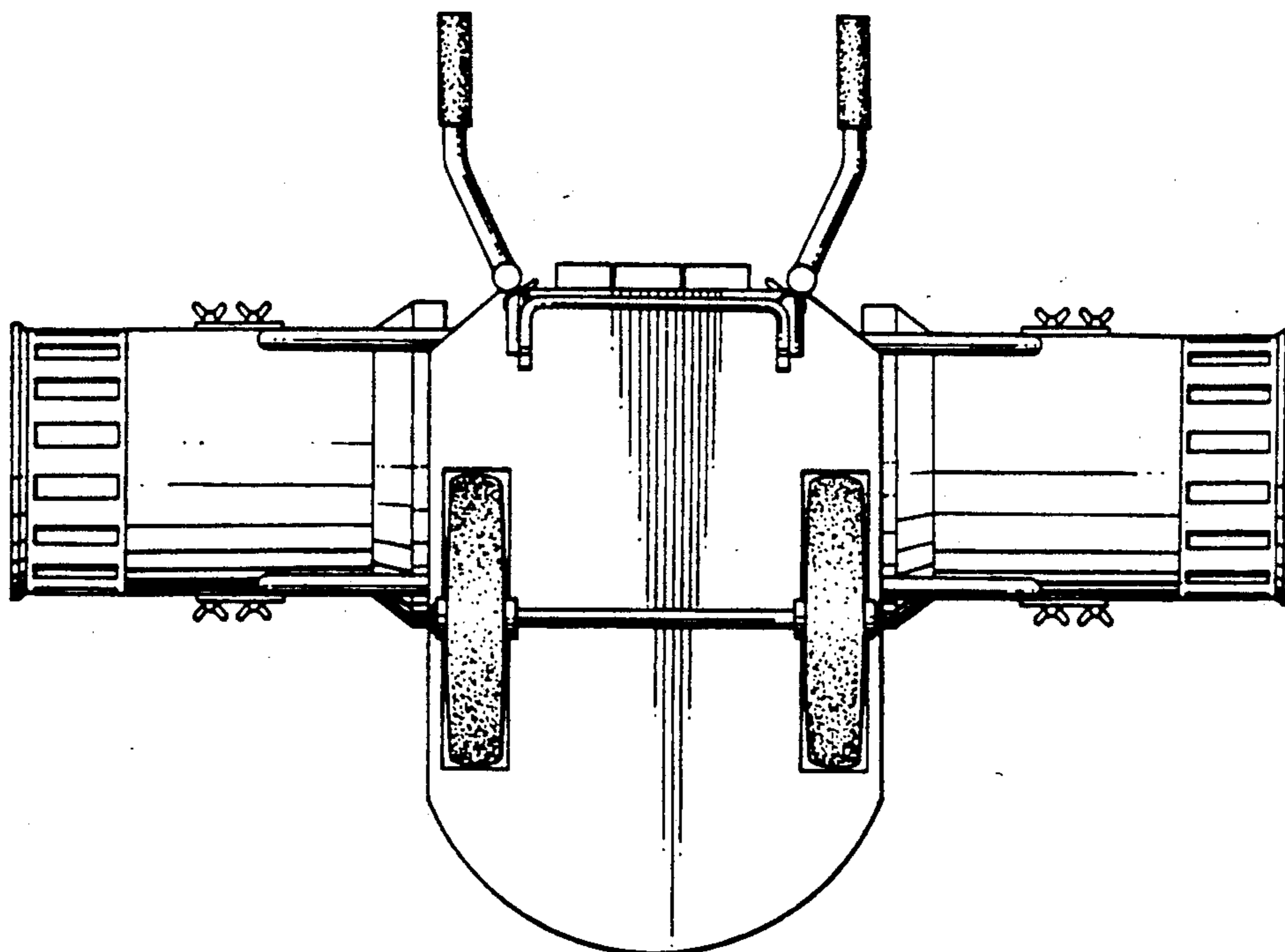


FIG. 5

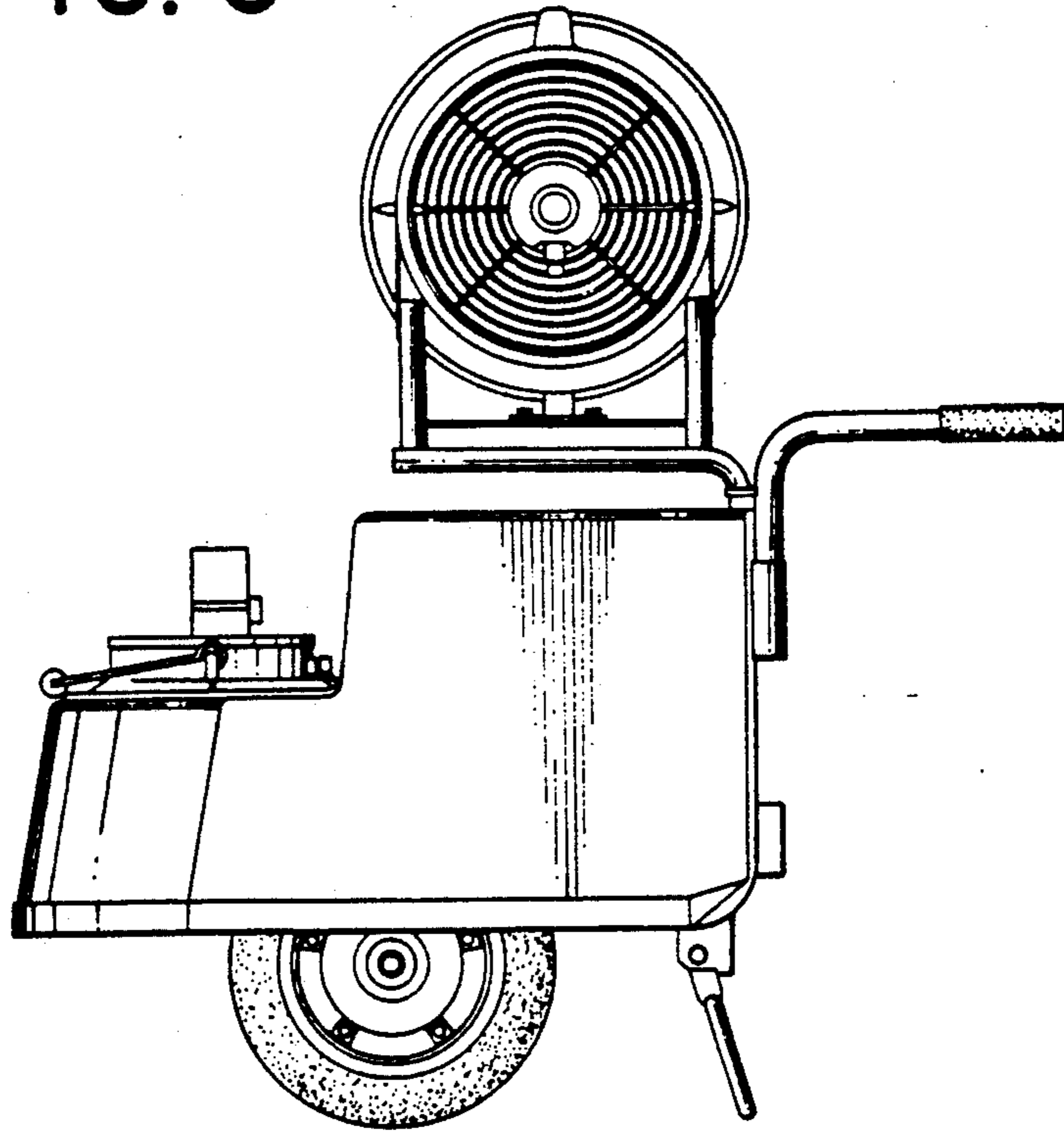


FIG. 6

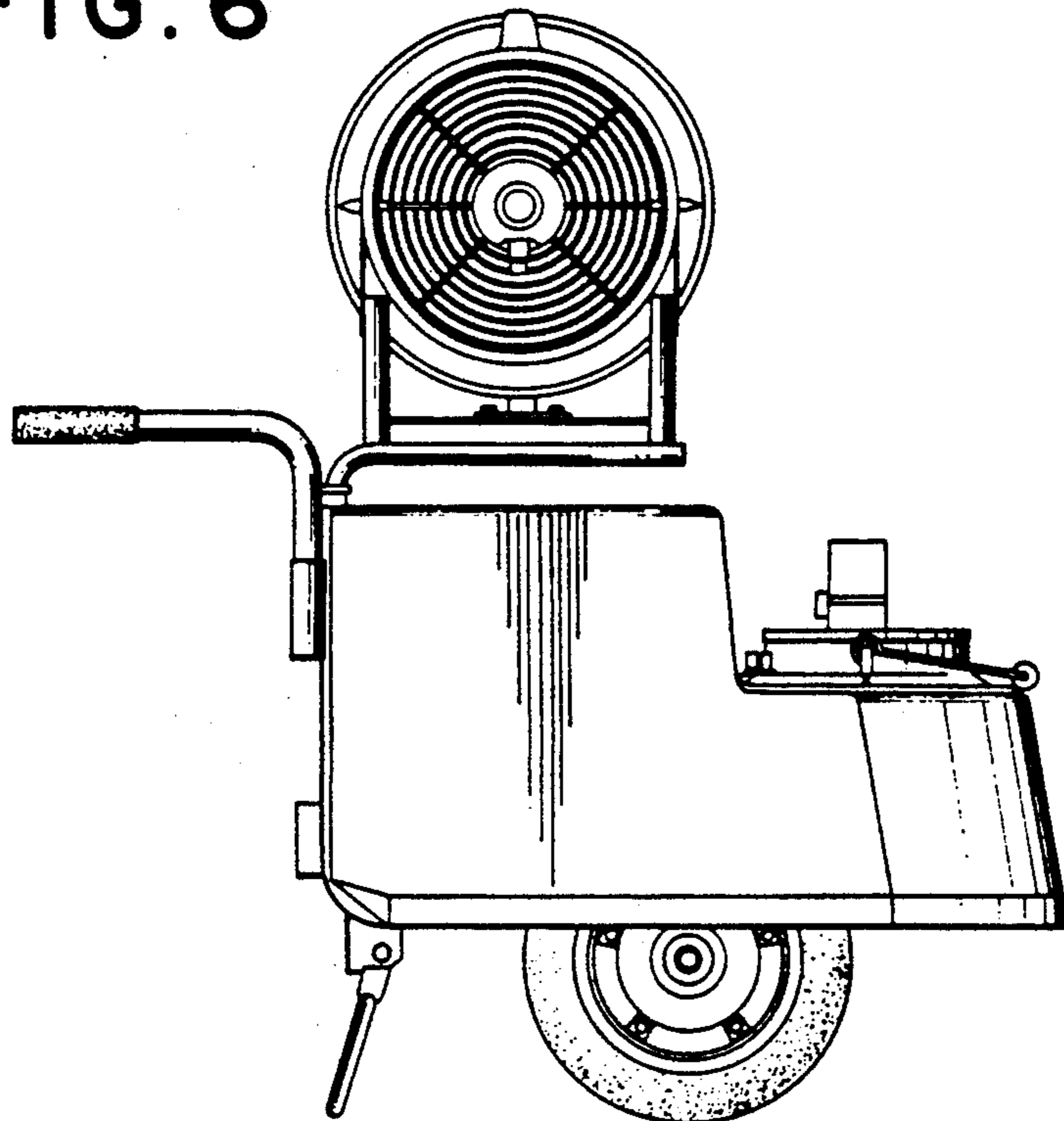


FIG. 7

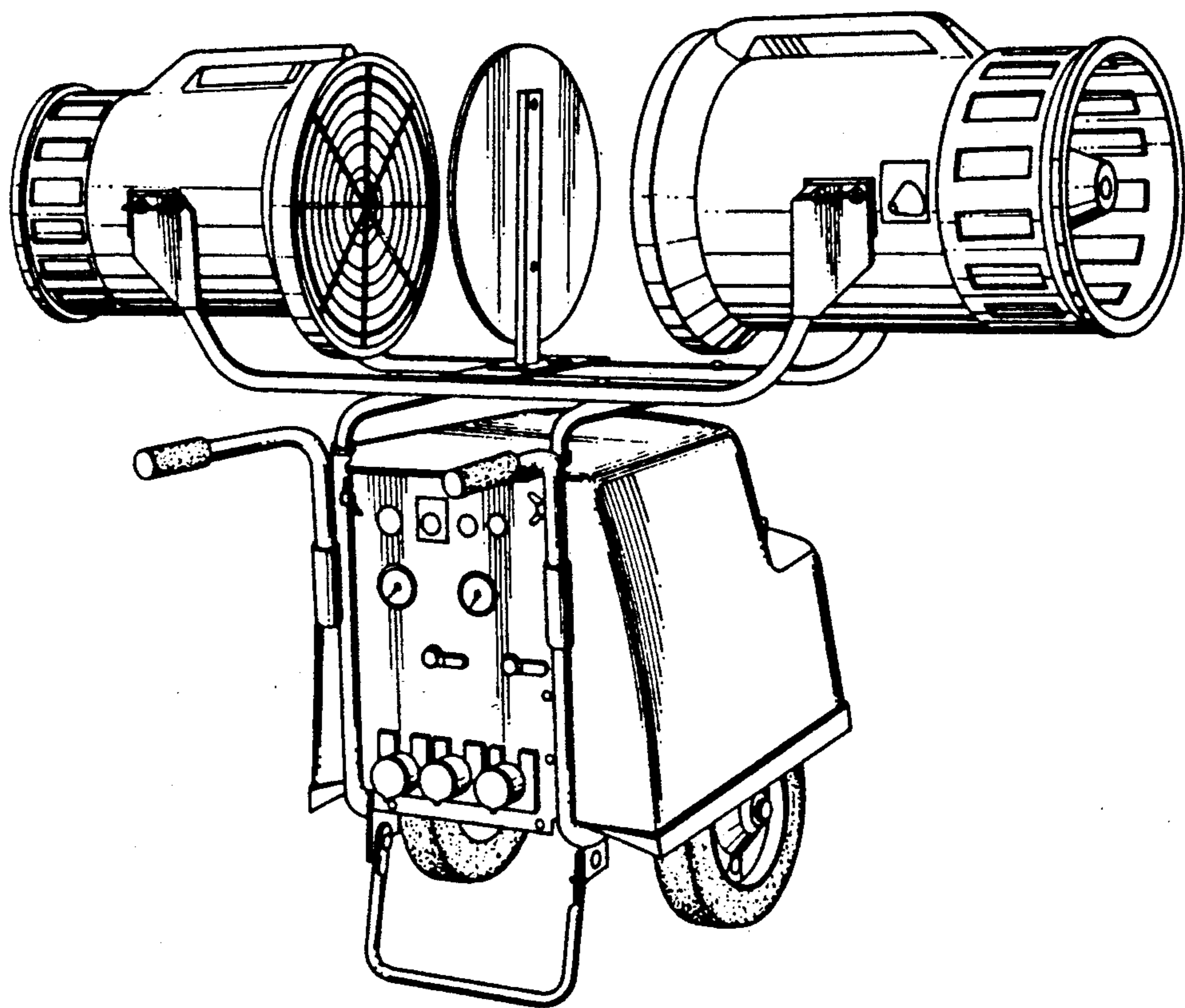


FIG. 8

