

United States Patent [19]

Yoshida et al.

[11] Patent Number: **Des. 317,313**

[45] Date of Patent: **** Jun. 4, 1991**

[54] **ROTARY COMPRESSOR**

[75] Inventors: **Masatoshi Yoshida; Mamoru Egawa; Makoto Sugiyama**, all of Shizuoka, Japan

[73] Assignee: **Kabushiki Kaisha Toshiba**, Kanagawa, Japan

[**] Term: **14 Years**

[21] Appl. No.: **316,682**

[22] Filed: **Feb. 28, 1989**

[30] **Foreign Application Priority Data**

Sep. 30, 1988 [JP] Japan 63-38188

[52] U.S. Cl. **D15/9**

[58] Field of Search D15/7, 8, 9, 9.1, 9.2, D15/9.3; 417/415, 419

[56] **References Cited**

U.S. PATENT DOCUMENTS

D. 137,172 2/1944 Bluemink D15/7
D. 242,651 12/1976 Arakawa D15/7

D. 274,433 6/1984 Boller D15/7
D. 282,546 2/1986 Ozu et al. D15/9

FOREIGN PATENT DOCUMENTS

609529 10/1983 Japan .
619441 2/1984 Japan .
621030 3/1984 Japan .

Primary Examiner—Louis S. Zarfes
Assistant Examiner—R. T. Seifert
Attorney, Agent, or Firm—Banner, Birch, McKie & Beckett

[57] **CLAIM**

The ornamental design for a rotary compressor, as shown.

DESCRIPTION

FIG. 1 is a front elevational view of a rotary compressor showing our new design, FIG. 2 is a rear elevational view thereof, FIG. 3 is a right side elevational view thereof, FIG. 4 is a left side elevational view thereof, FIG. 5 is a top plan view thereof, and FIG. 6 is a bottom plan view thereof.

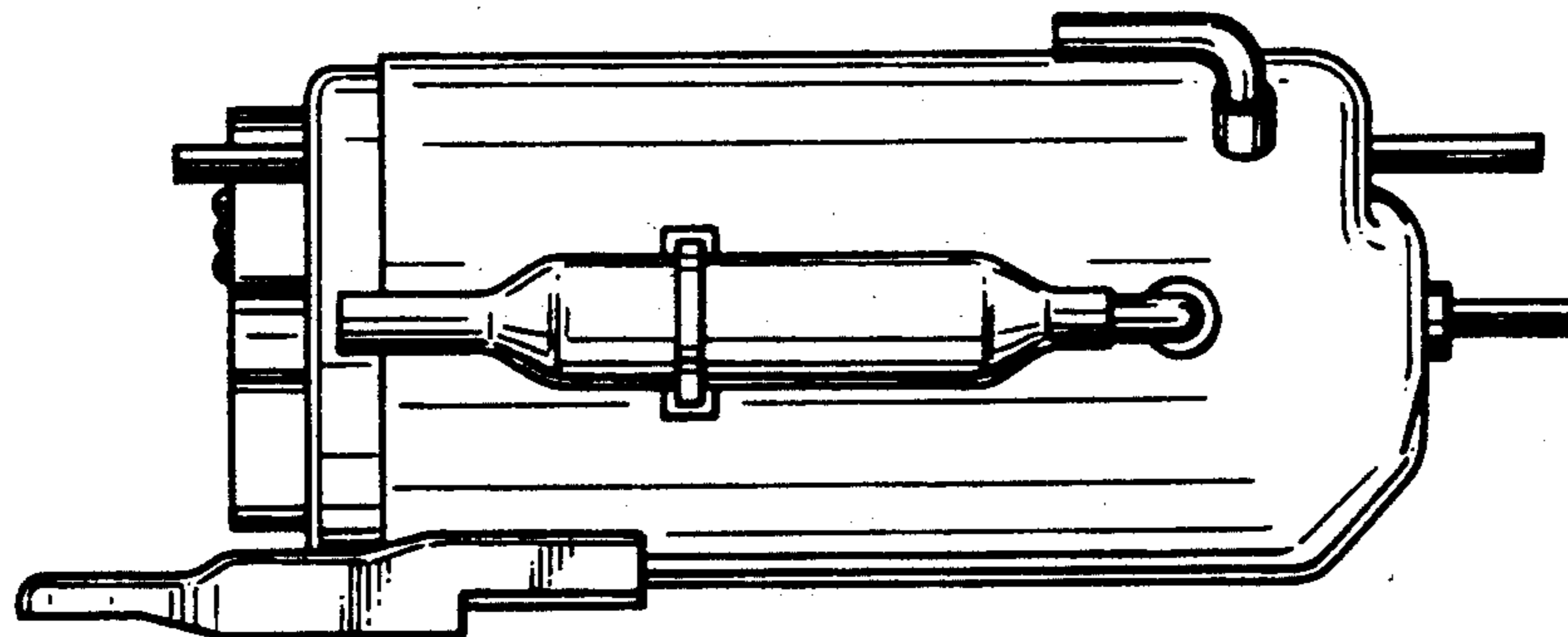


FIG. 1

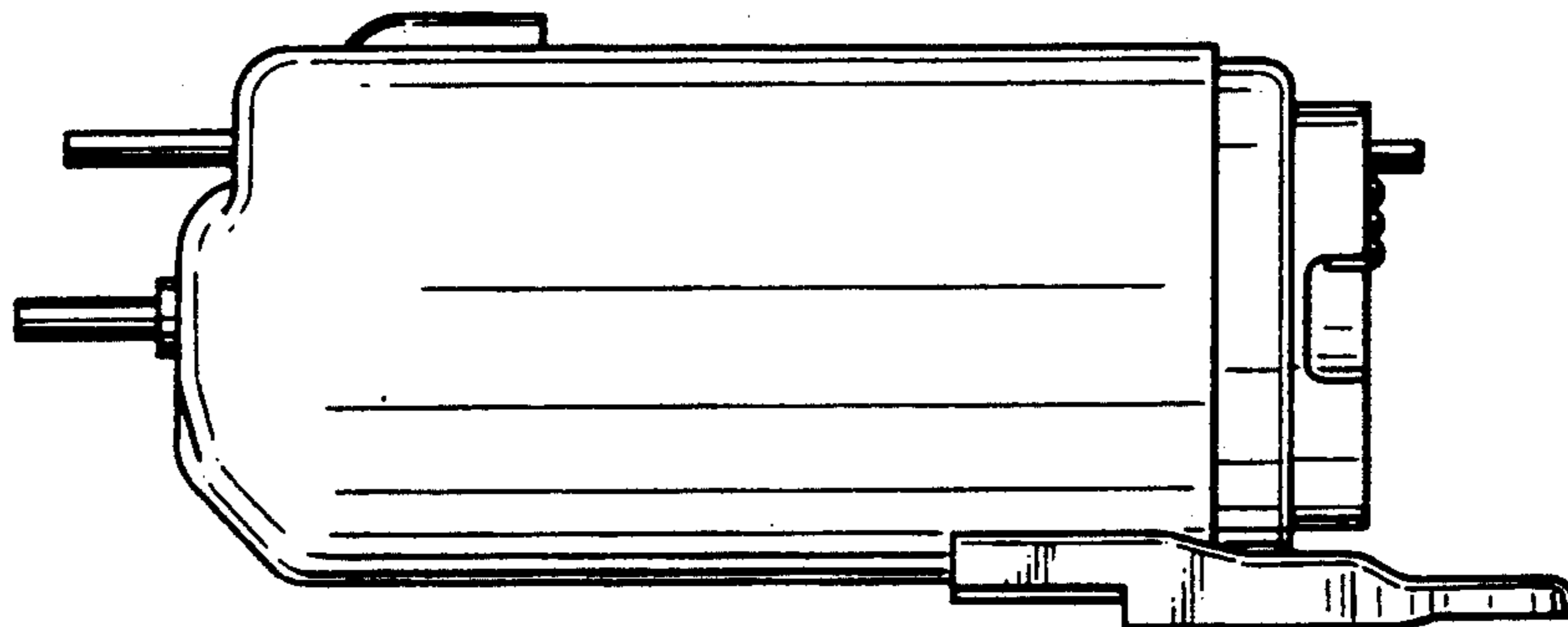


FIG. 2

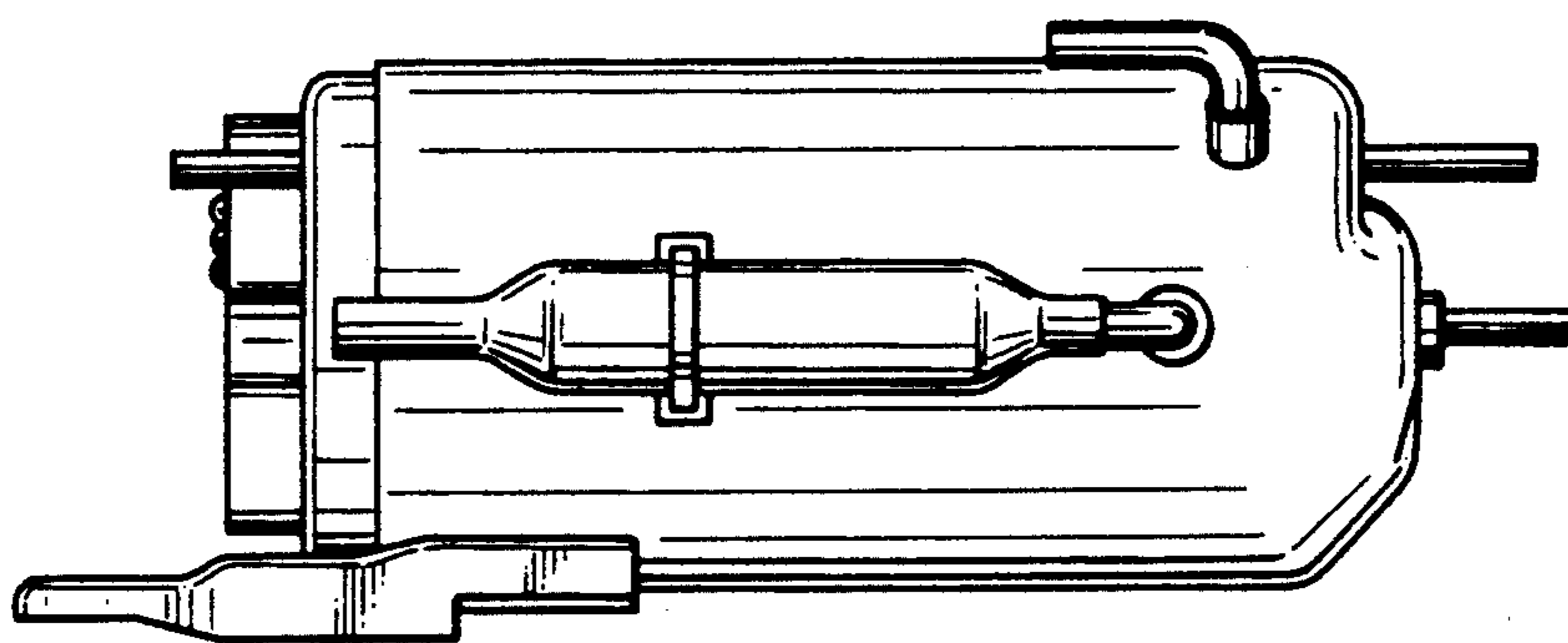


FIG. 3

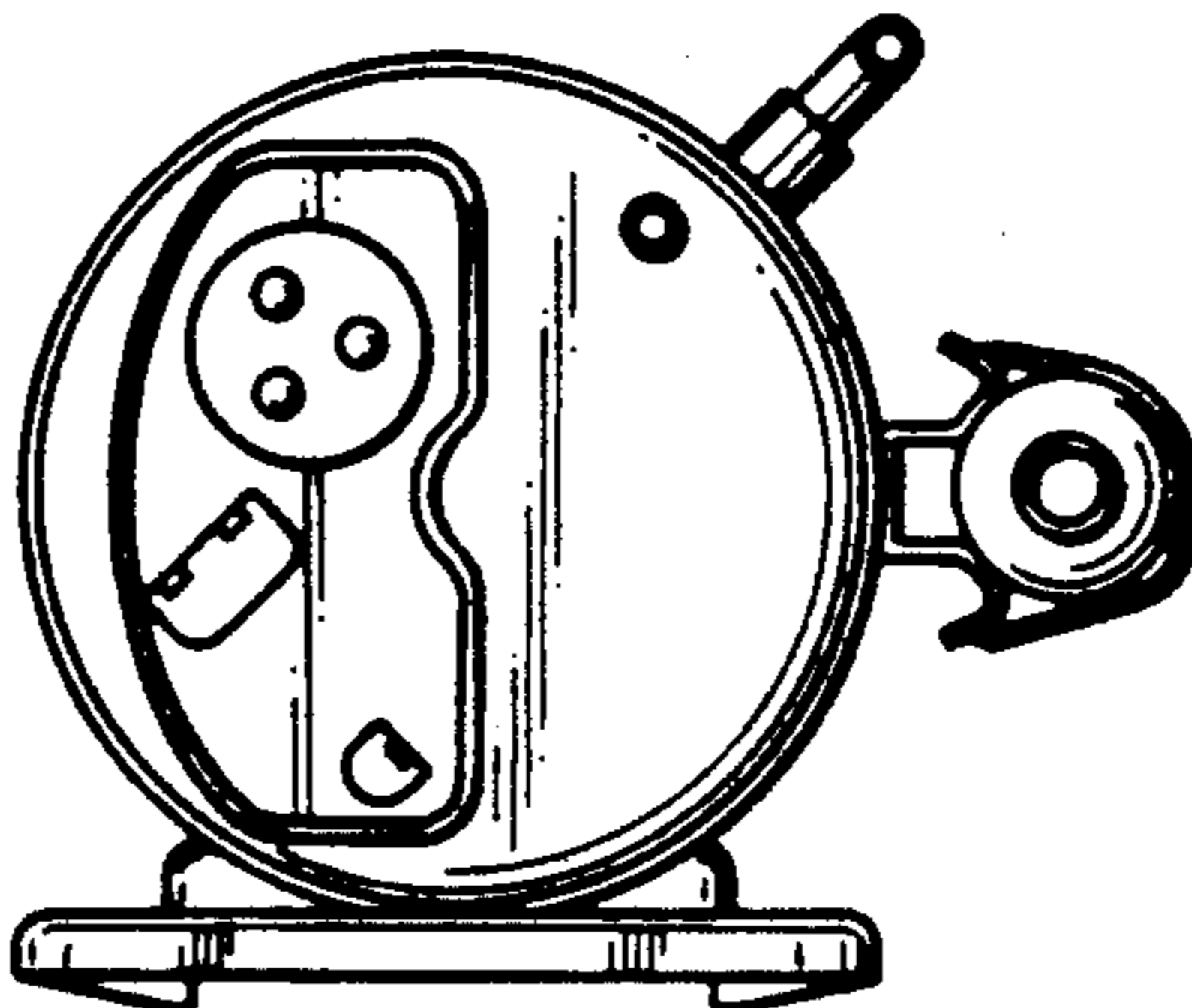


FIG.4

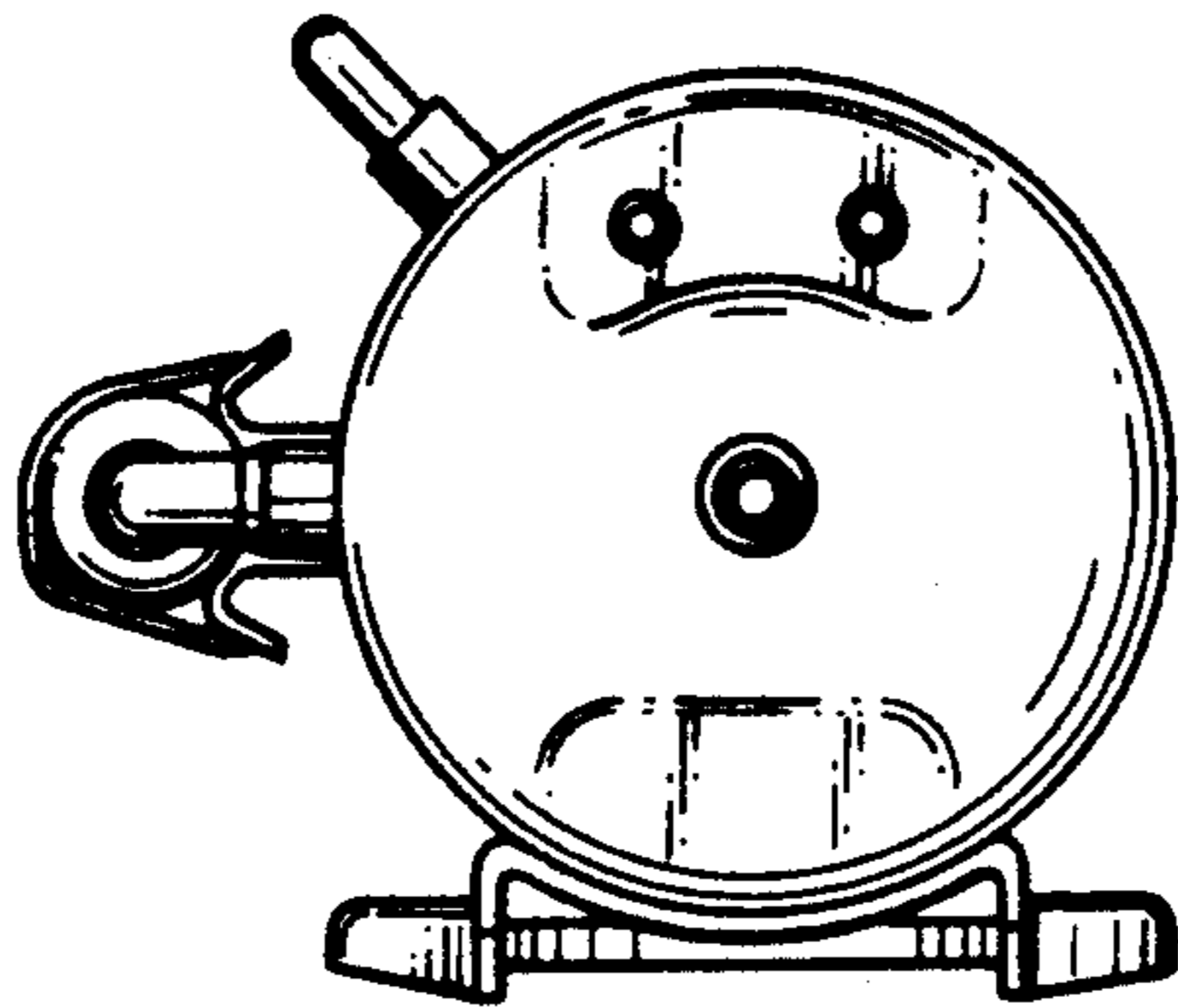


FIG.5

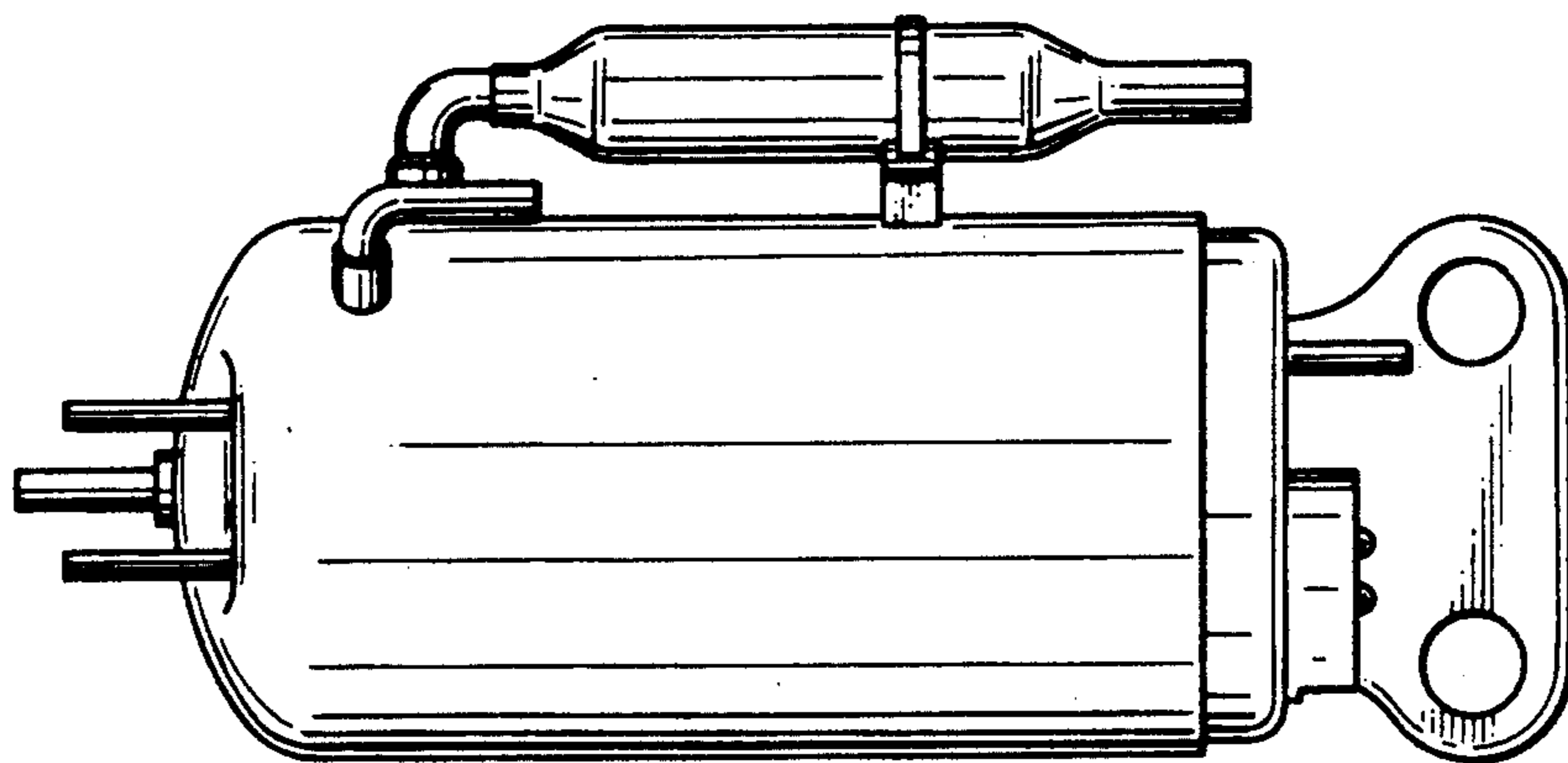


FIG.6

