

[54] REMOTE TELEPHONE PROGRAMMER FOR A VCR WITH INFRARED TRANSMITTER

[76] Inventors: Todd J. Anderson; Julie A. Anderson, both of 4467 Buffalo Rd., North Chili, N.Y. 14514

[**] Term: 14 Years

[21] Appl. No.: 176,380

[22] Filed: Mar. 31, 1988

[52] U.S. Cl. D14/240; D14/114; D14/242

[58] Field of Search D14/100, 114, 124, 140, D14/240, 244, 245, 242, 218, 256, 191; D13/158, 162, 154, 133, 184, 199, 123, 120, 140, 168, 139; 358/248, 249, 254; 379/90, 106, 102, 110, 438, 441, 447, 457

[56] References Cited

U.S. PATENT DOCUMENTS

D. 208,475	9/1967	Wood et al.	D14/100
D. 215,159	9/1969	Dreyfuss et al.	D14/140
D. 268,753	4/1983	Fenne	D13/158 X
D. 275,754	10/1984	Matsuda et al.	D14/218
D. 309,447	7/1990	Bandari	D13/158
4,249,040	2/1981	Cutter	379/102
4,491,690	1/1985	Daley	379/102 X

4,682,169 7/1987 Swanson 379/107 X

OTHER PUBLICATIONS

Hello Direct Catalog, May 1988, Call Forwarding Machine, (top left of page). Wang Direct, Fall/Winter 1987, back cover, TP Adapter, Computer Box.

Primary Examiner—Wallace R. Burke
Assistant Examiner—Freda S. Nunn
Attorney, Agent, or Firm—Jerry T. Kearns

[57] CLAIM

The ornamental design for a remote telephone programmer for a VCR with infrared transmitter, as shown and described.

DESCRIPTION

FIG. 1 is a front elevational view of a remote telephone programmer for a VCR with infrared transmitter showing our new design;
FIG. 2 is a rear elevational view thereof;
FIG. 3 is a left side elevational view thereof;
FIG. 4 is a right side elevational view thereof;
FIG. 5 is a top plan view thereof;
FIG. 6 is a bottom plan view thereof;
FIG. 7 is a perspective view thereof.
The cord has been shortened in FIGS. 1, 2, 5, 6, and 7 for convenience of illustration.

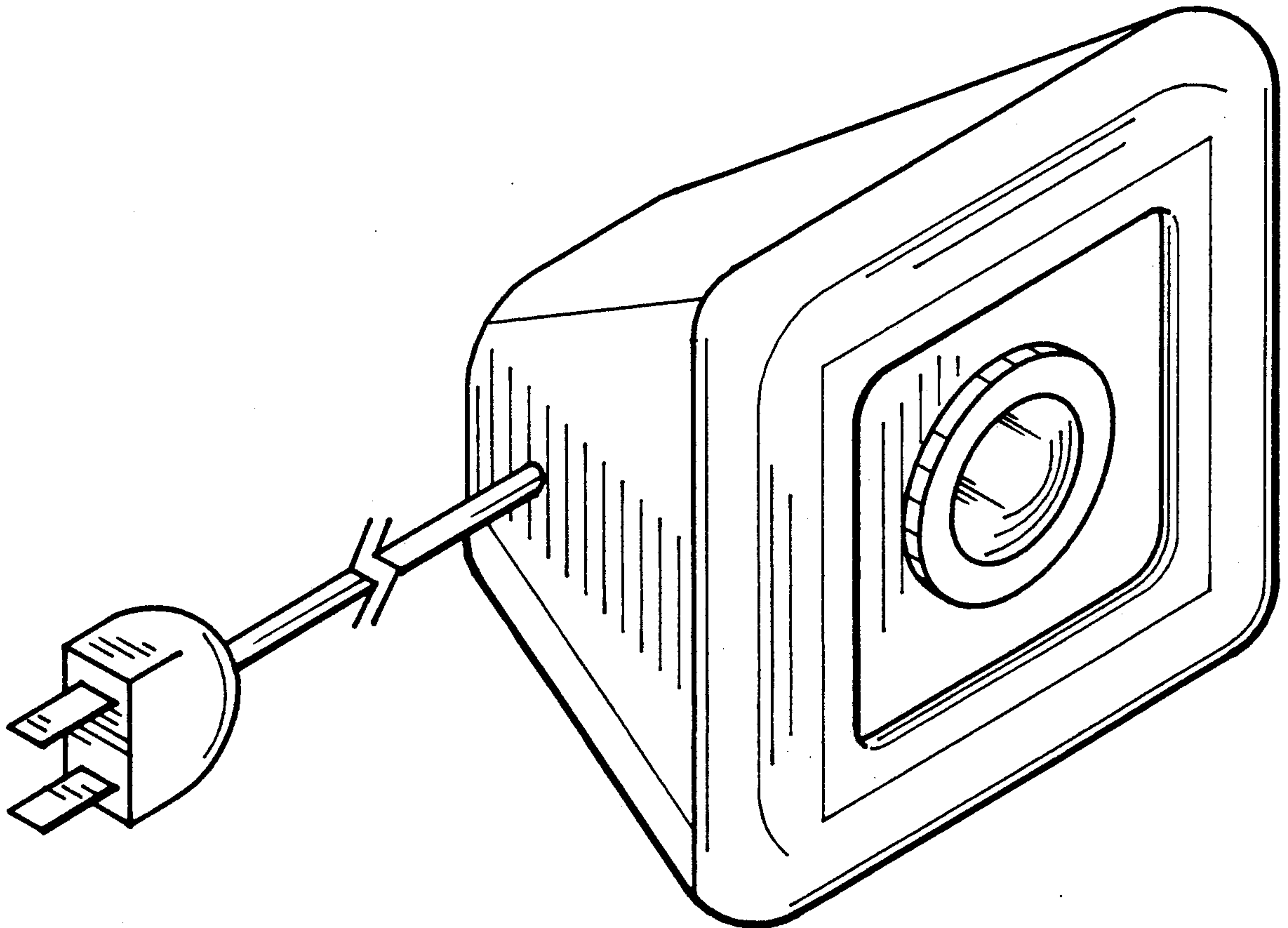


Fig. 1

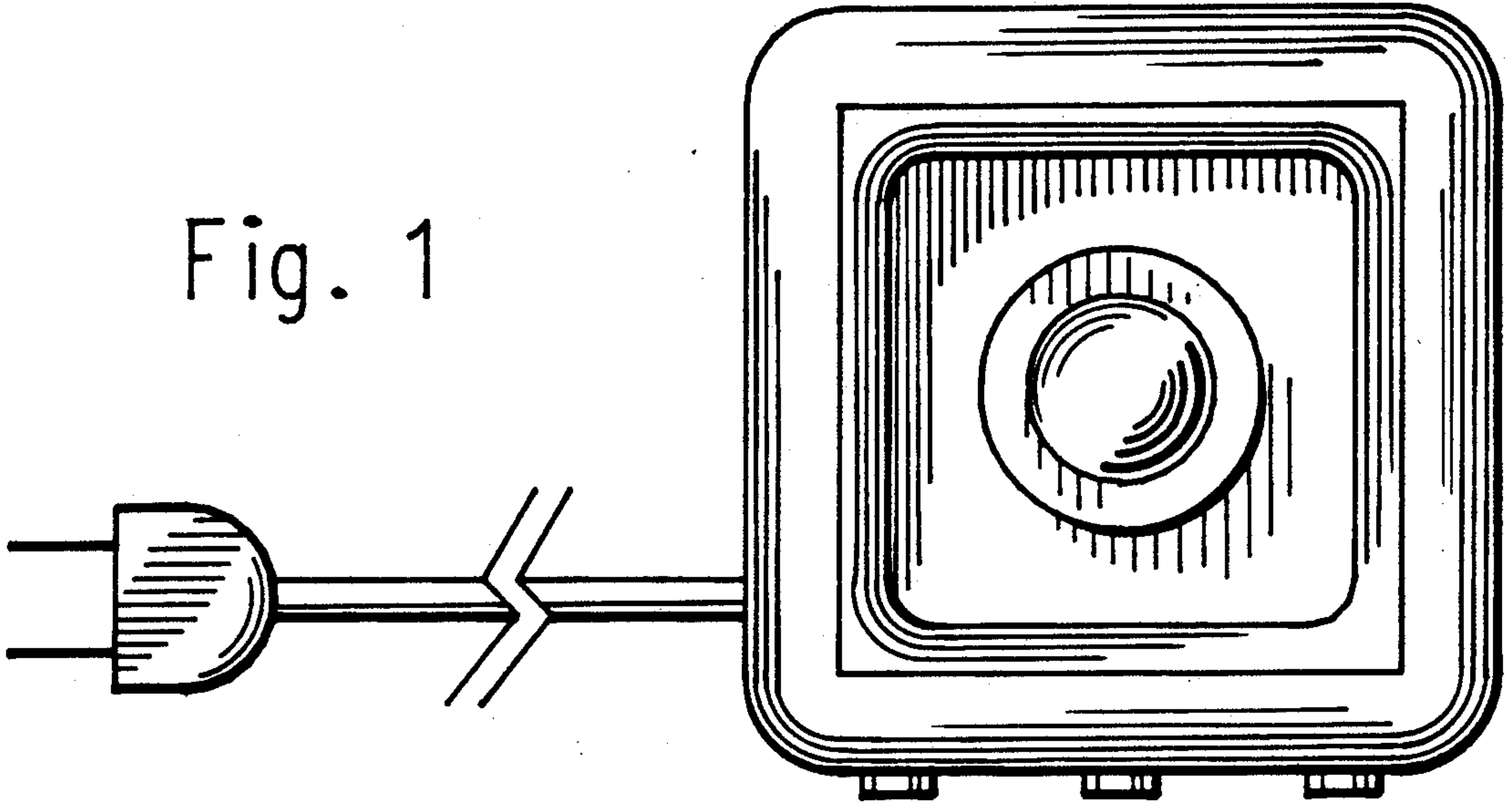


Fig. 2

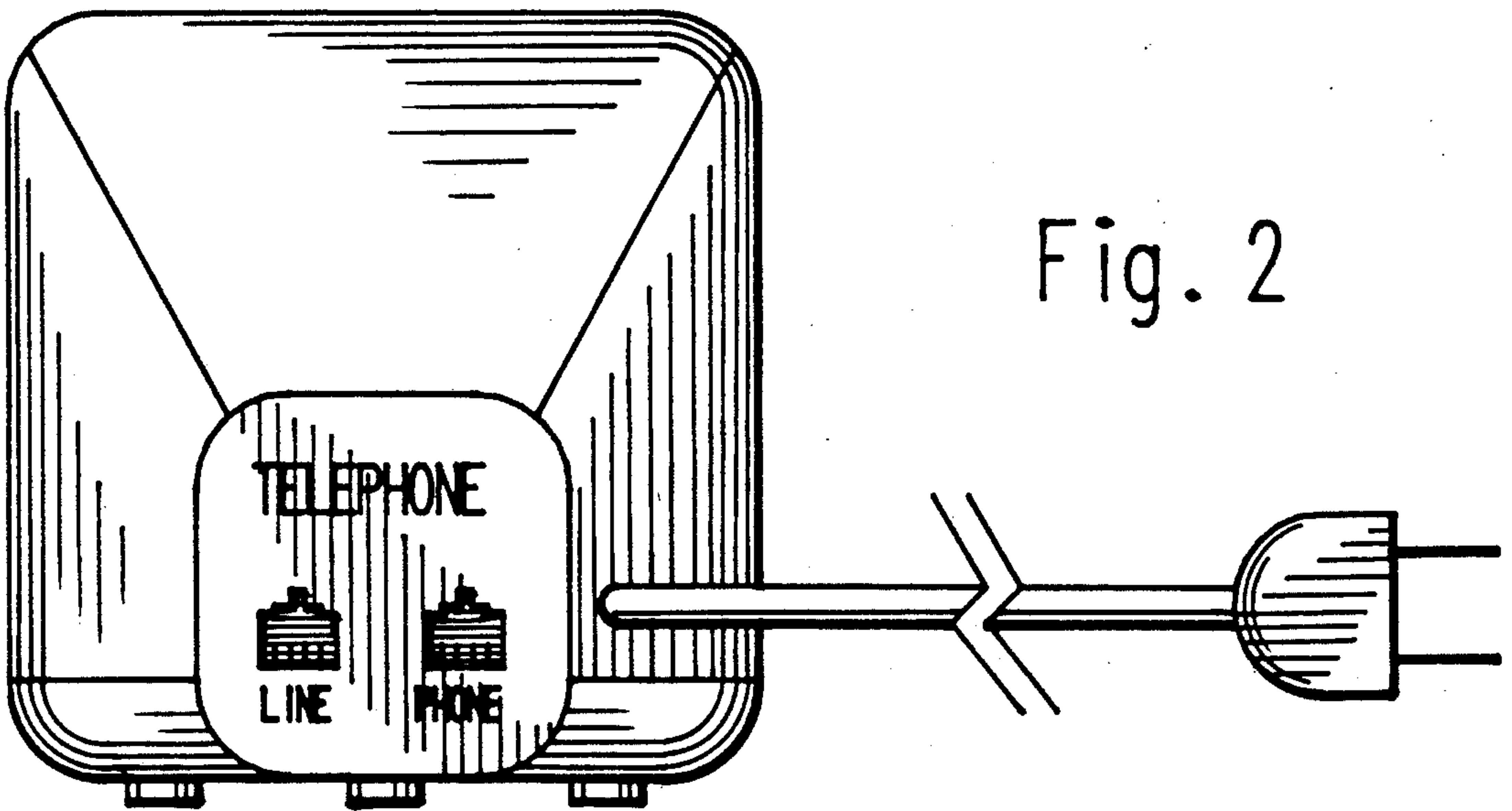


Fig. 3

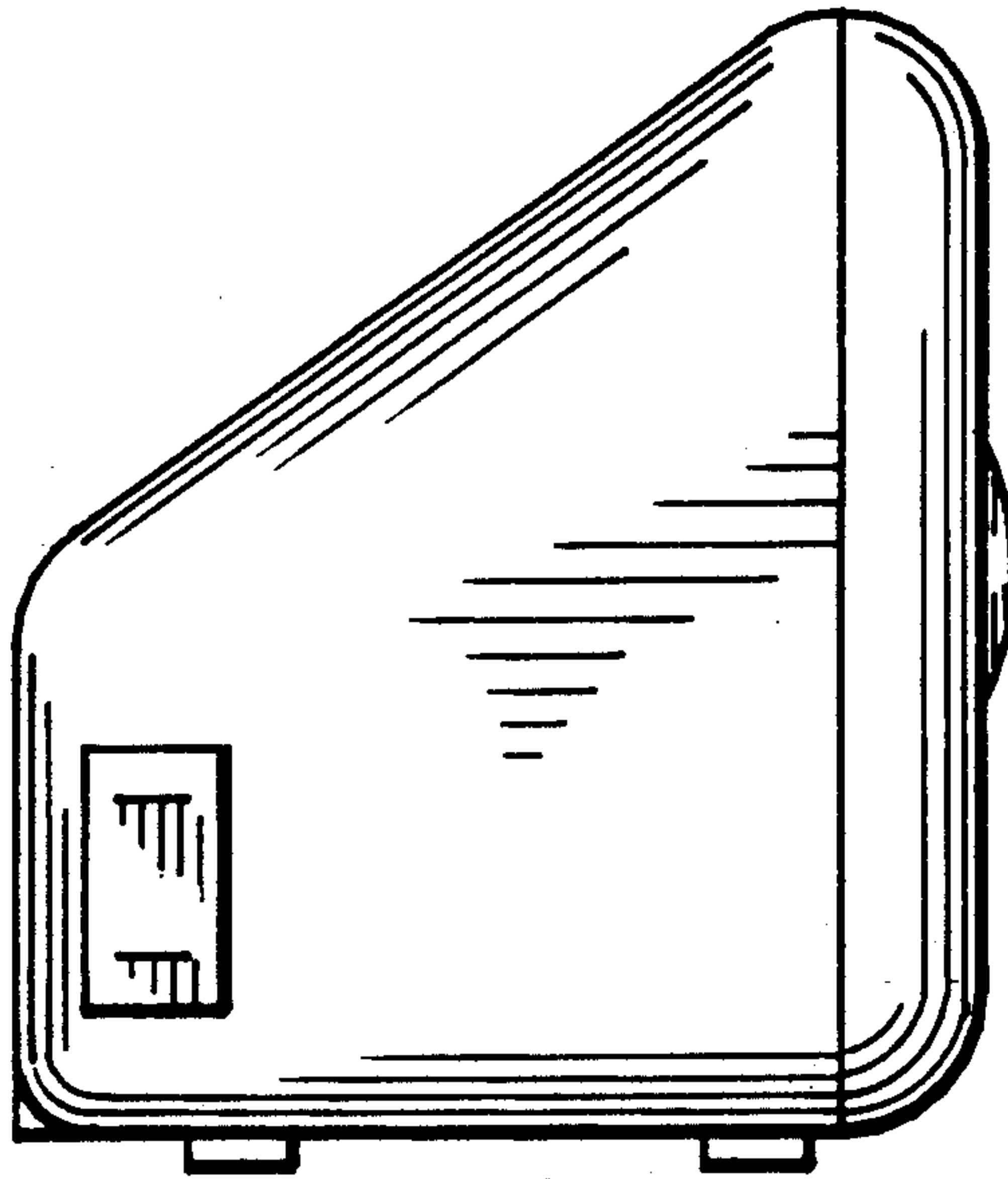
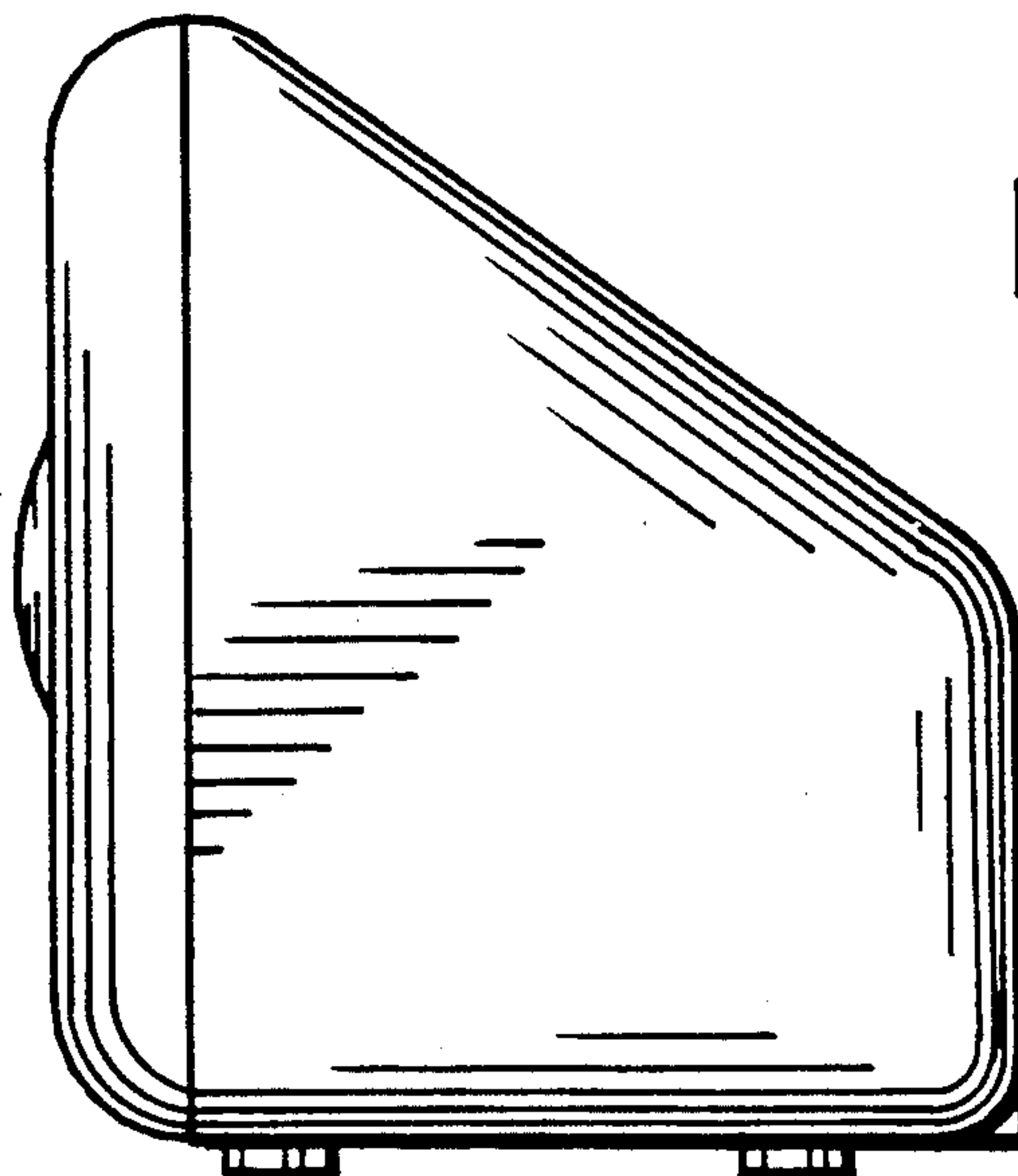


Fig. 4



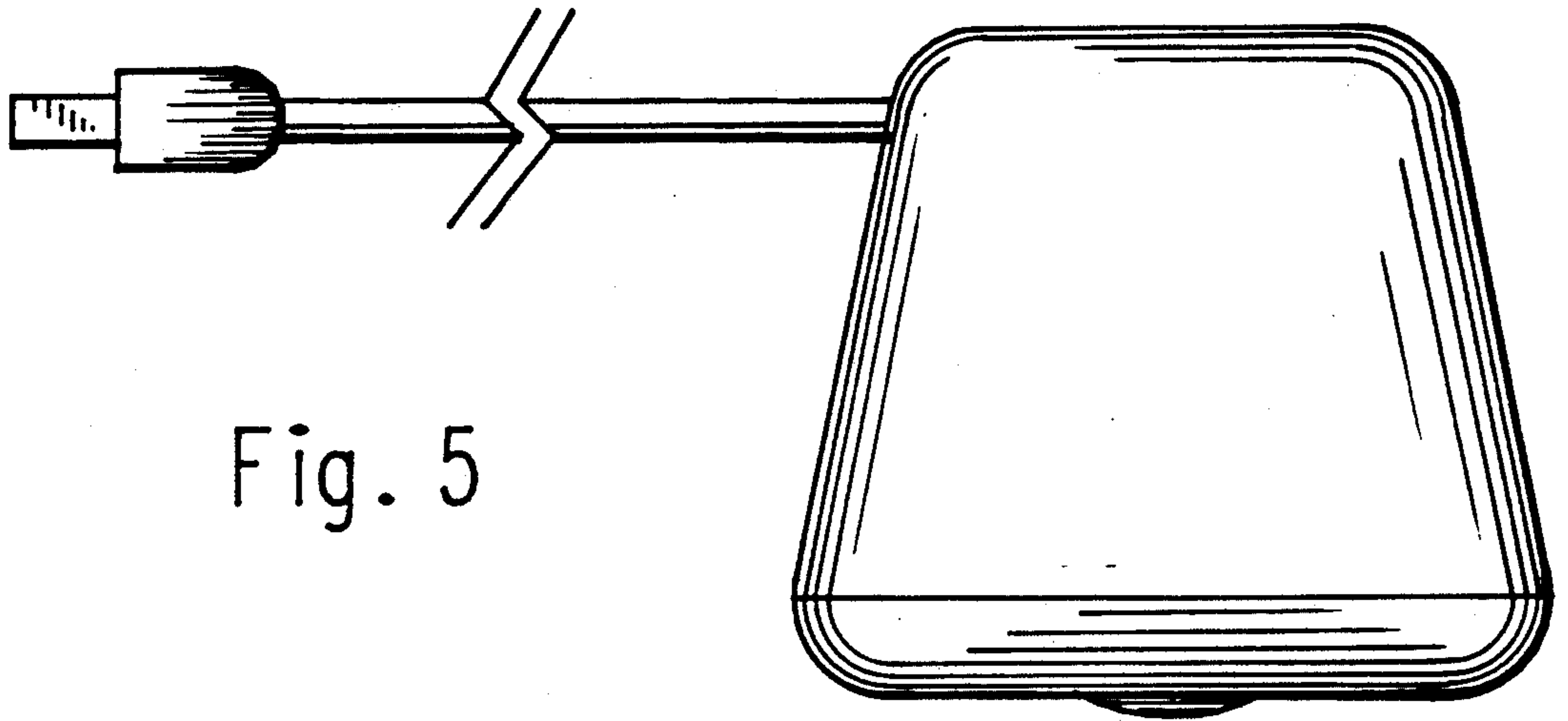


Fig. 5

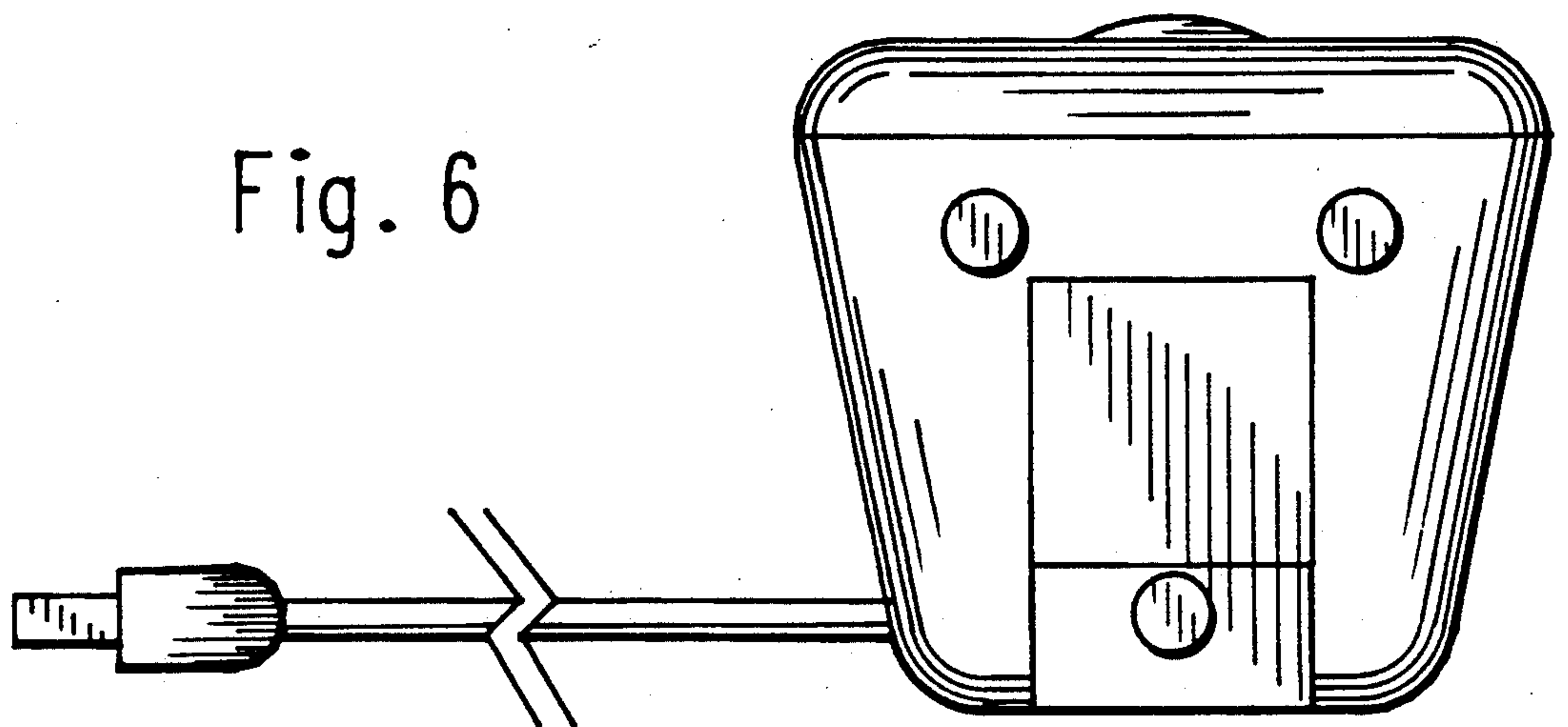


Fig. 6

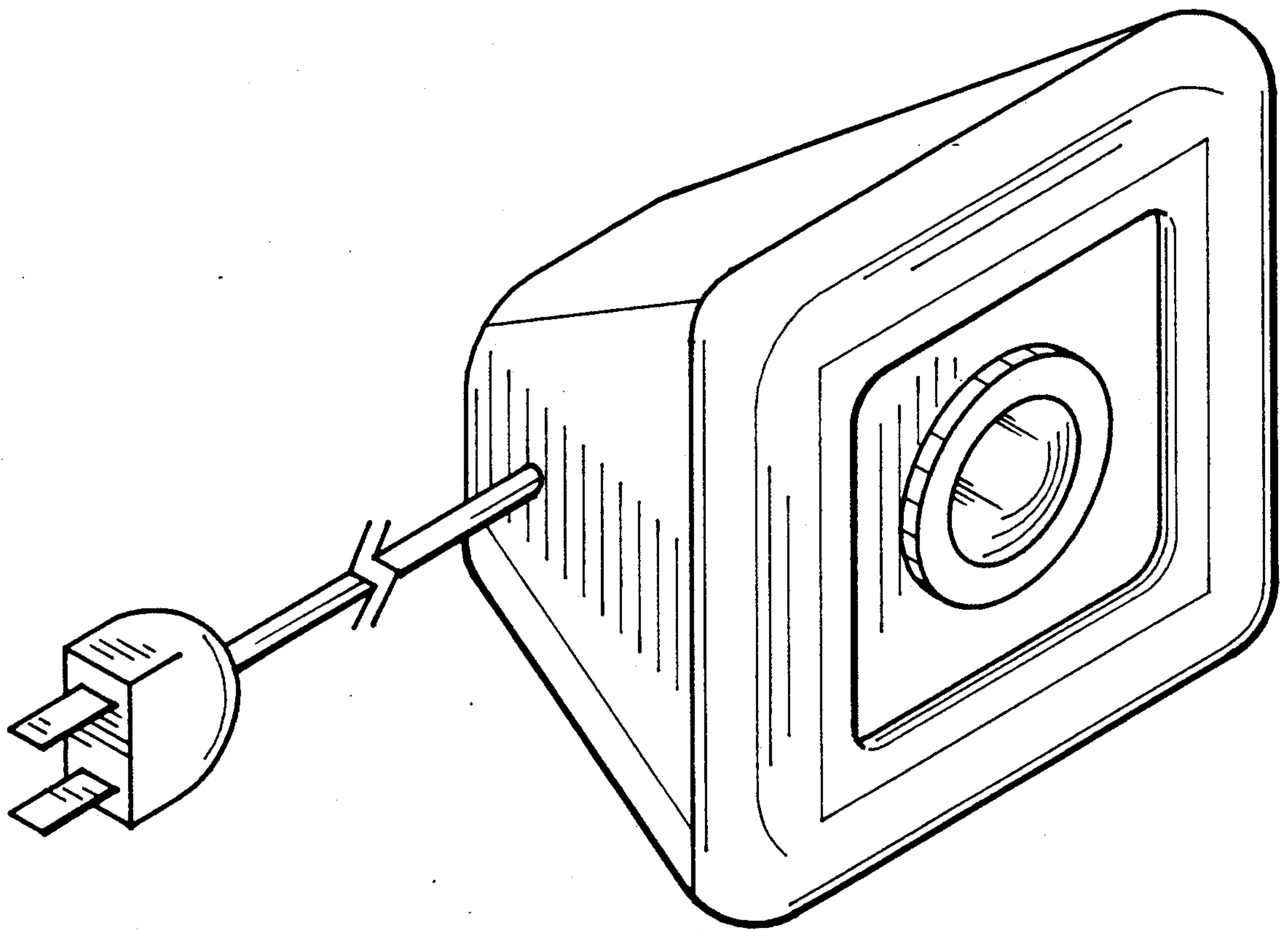


Fig. 7