

[54] PERSONAL COMPUTER HOUSING OR SIMILAR ARTICLE

[75] Inventor: Gavin R. Ivester, Palo Alto, Calif.

[73] Assignee: Apple Computer, Inc., Cupertino, Calif.

[**] Term: 14 Years

[21] Appl. No.: 389,825

[22] Filed: Aug. 4, 1989

[52] U.S. Cl. D14/102

[58] Field of Search D14/100, 102, 109; D13/162, 184, 199; 360/97-99, 132, 137; 361/330, 331, 380-385, 390-395, 415, 426; 200/5 A, 5 R, 6 A, 6 R; D6/509-512; 312/208

[56] References Cited

U.S. PATENT DOCUMENTS

- D. 281,245 11/1985 Lewis D13/184 X
- D. 290,123 6/1987 Kelley, Jr. et al. D14/102
- D. 294,355 2/1988 Giannotti, Jr. et al. D14/102

- D. 305,753 1/1990 Hoshino D14/102
- D. 310,070 8/1990 Makidera D14/102

Primary Examiner—Wallace R. Burke
Assistant Examiner—Freda S. Nunn
Attorney, Agent, or Firm—Franklyn C. Weiss

[57] CLAIM

The ornamental design for a personal computer housing or similar article, as shown and described.

DESCRIPTION

FIG. 1 is a top, front, left side perspective view of a personal computer housing or similar article showing my new design;
 FIG. 2 is a top plan view thereof;
 FIG. 3 is a front elevational view thereof;
 FIG. 4 is a rear elevational view thereof;
 FIG. 5 is a right side elevational view thereof;
 FIG. 6 is a left side elevational view thereof;
 FIG. 7 is a bottom plan view thereof without the feet attachments;
 FIG. 8 is a bottom plan view thereof with the feet attachments.

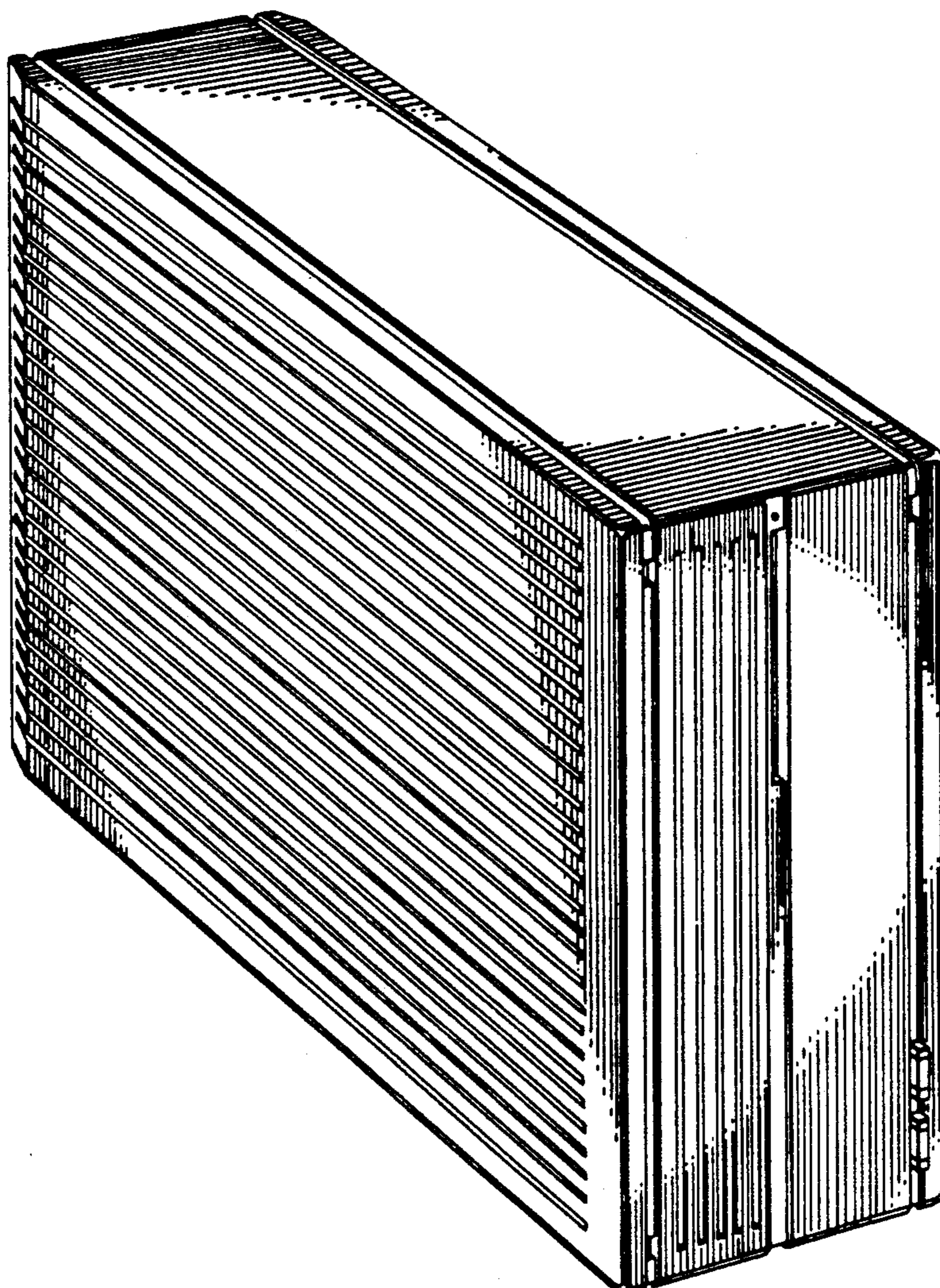


FIG 1

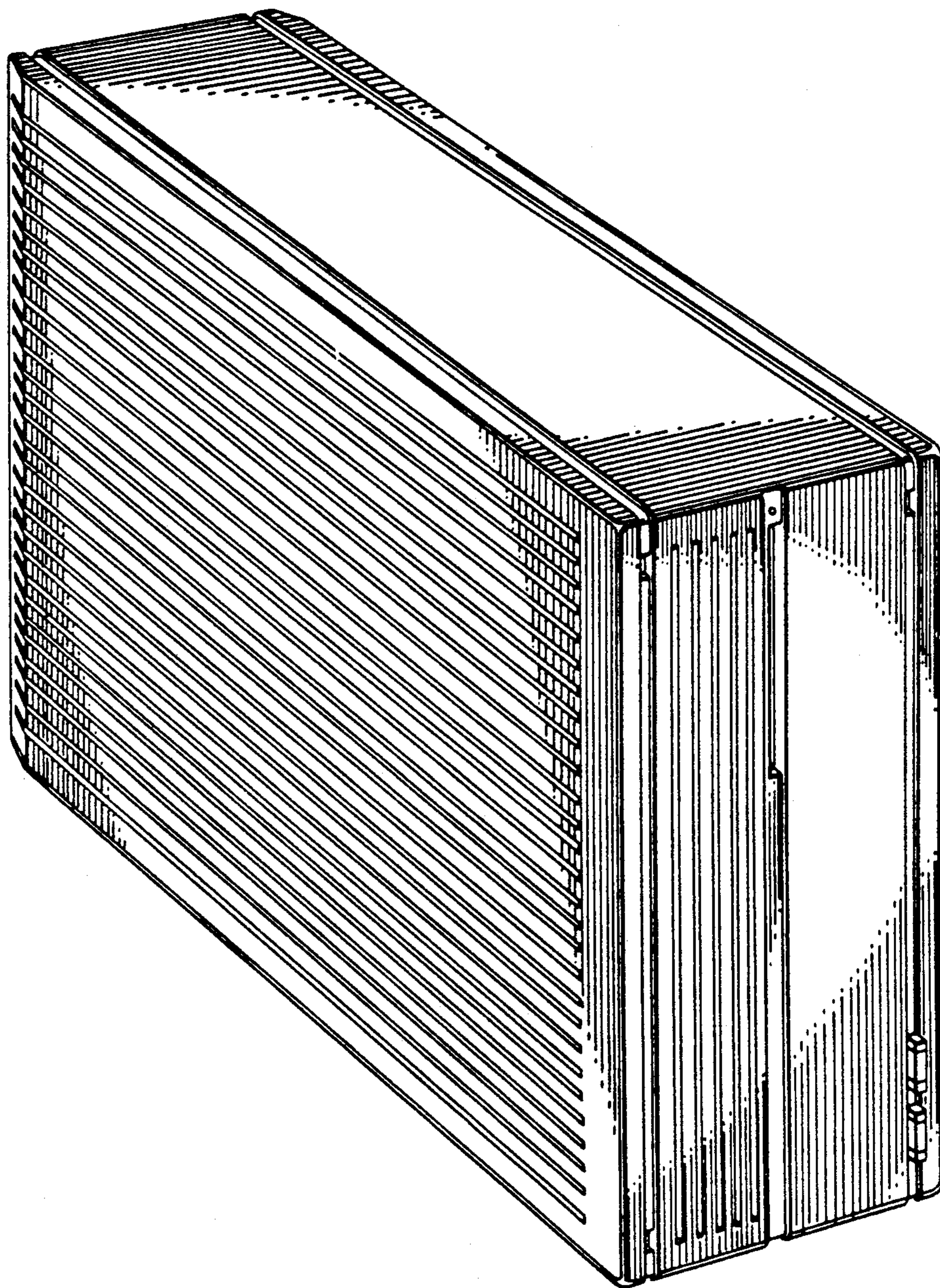


FIG 2

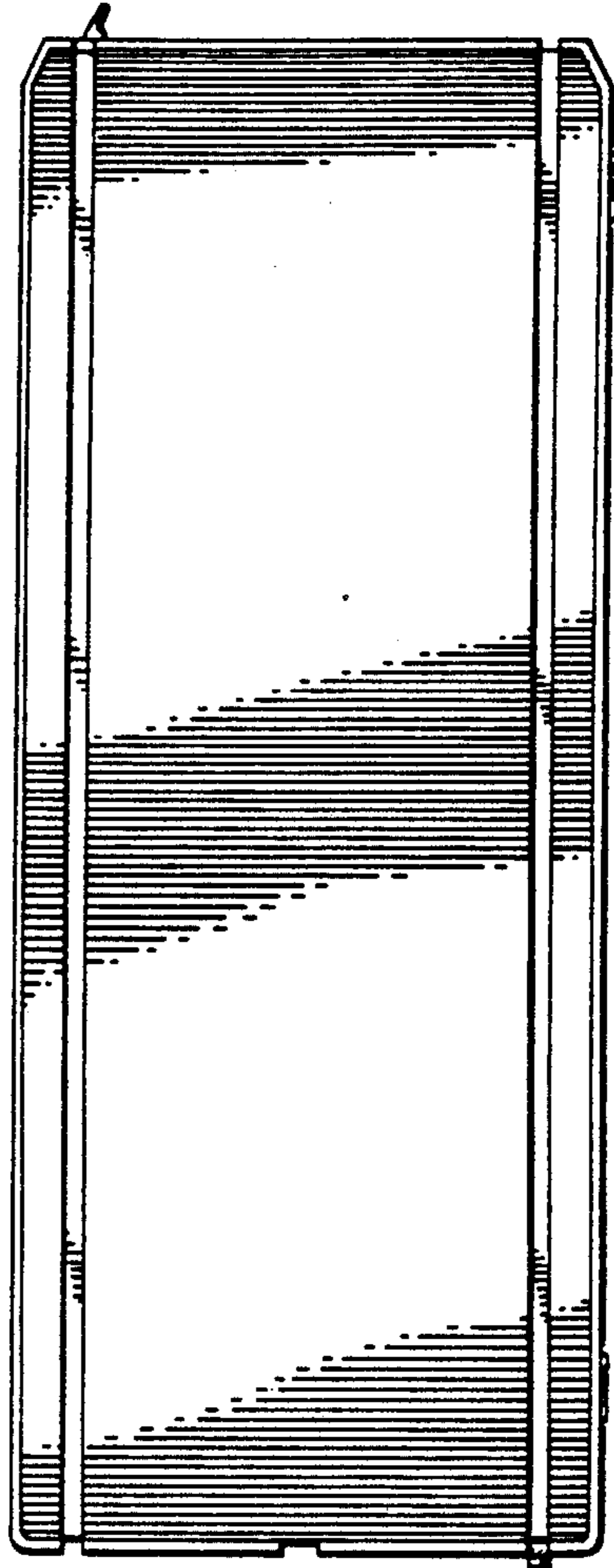


FIG 3

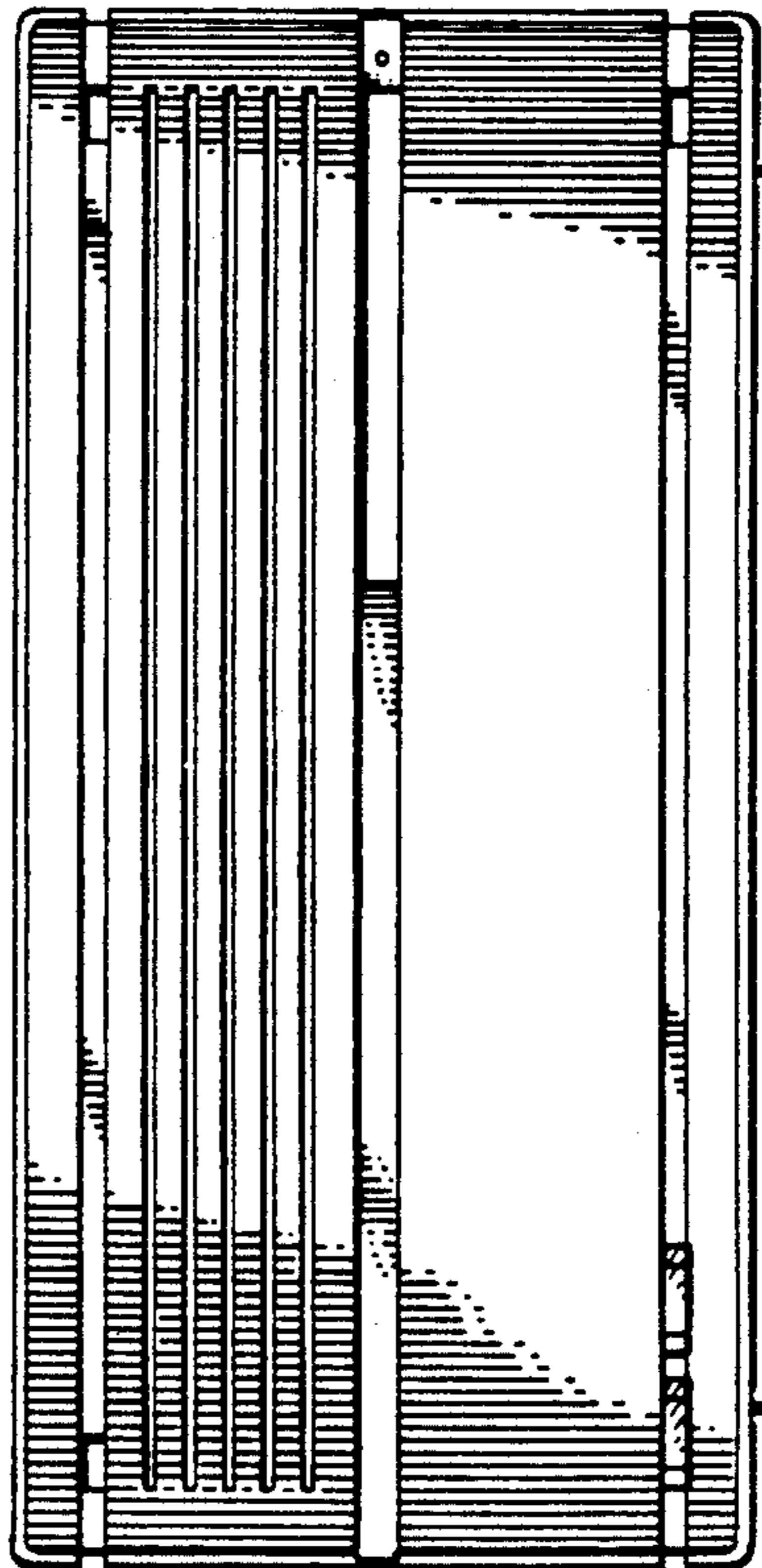


FIG 4

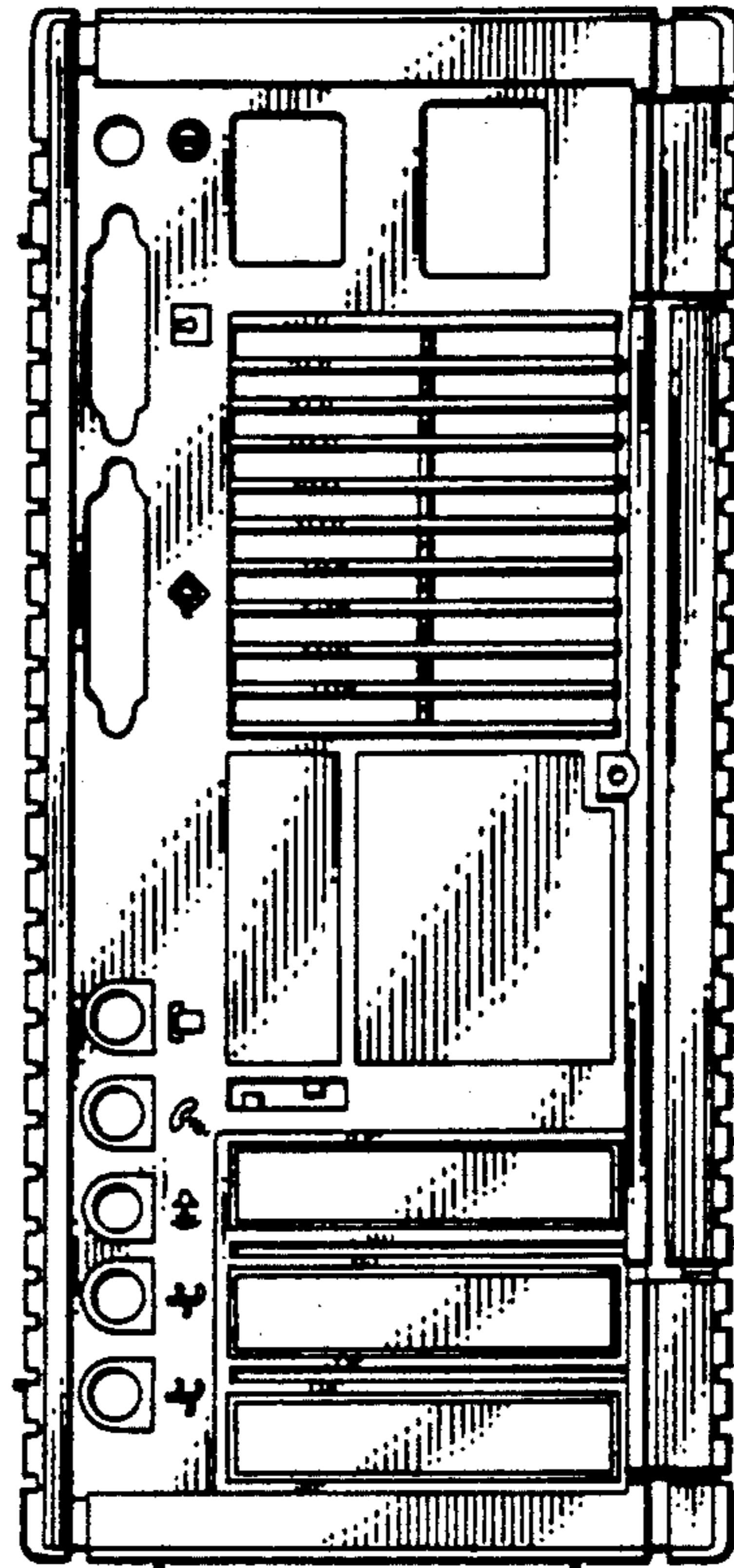


FIG 5

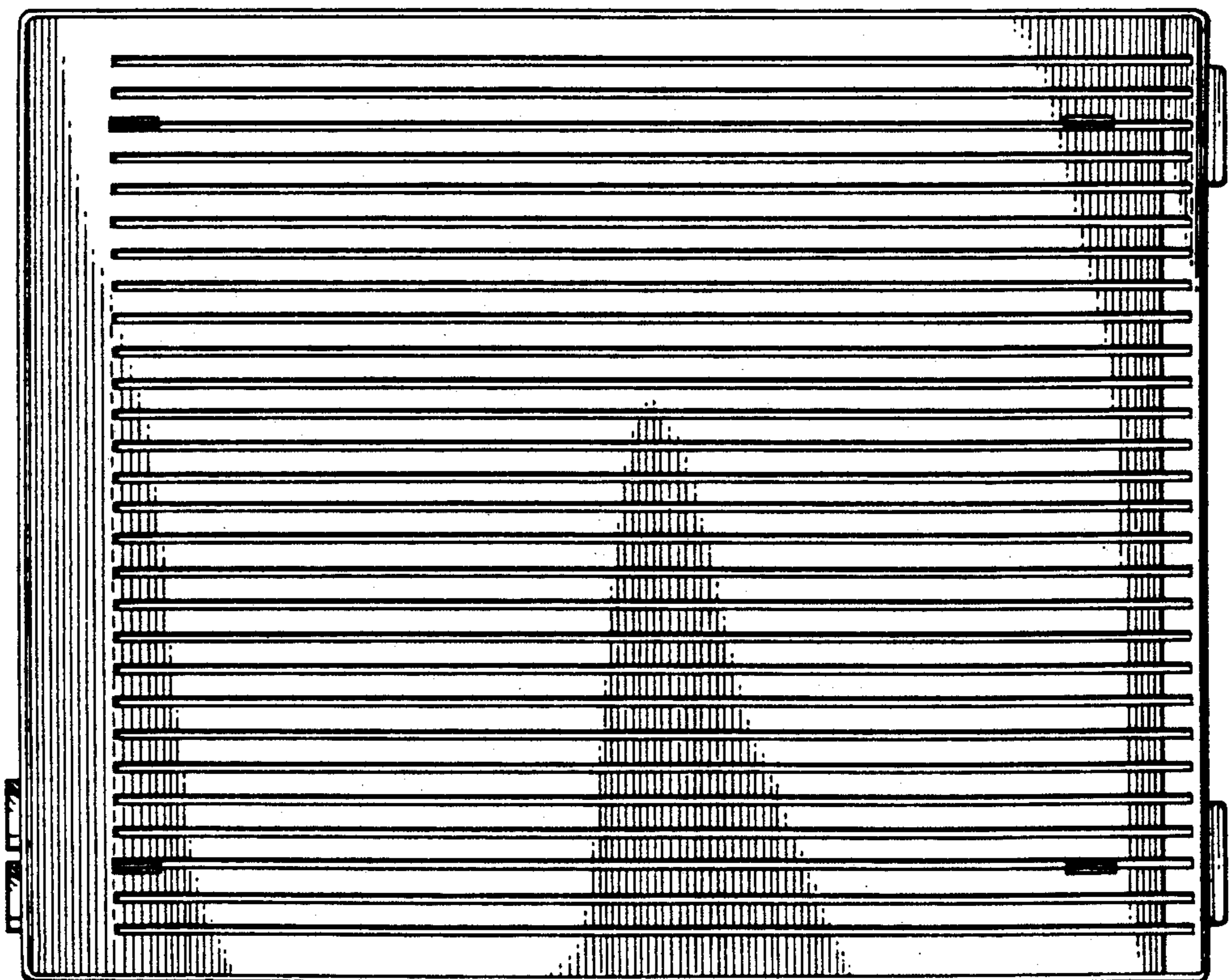


FIG 6

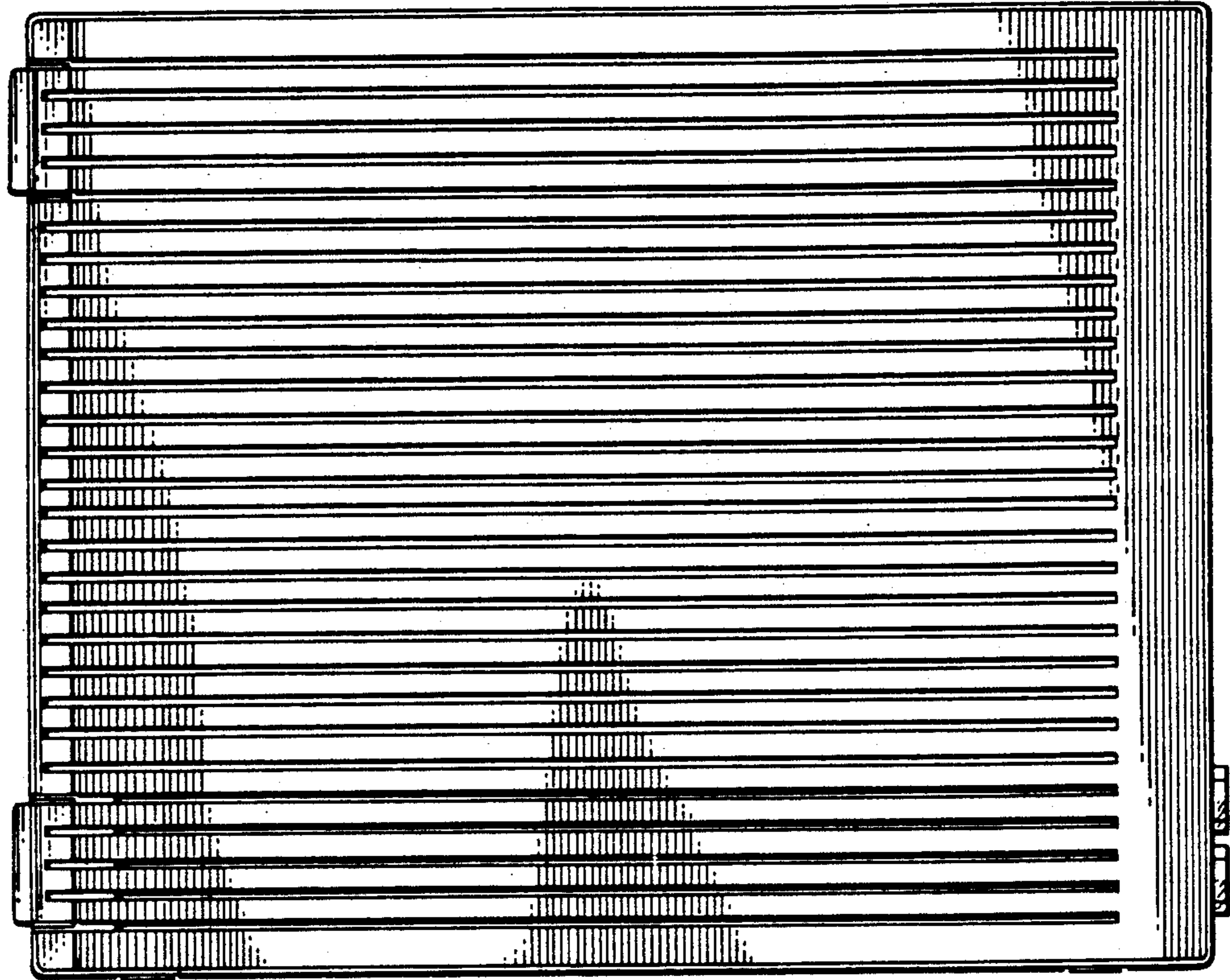


FIG 7

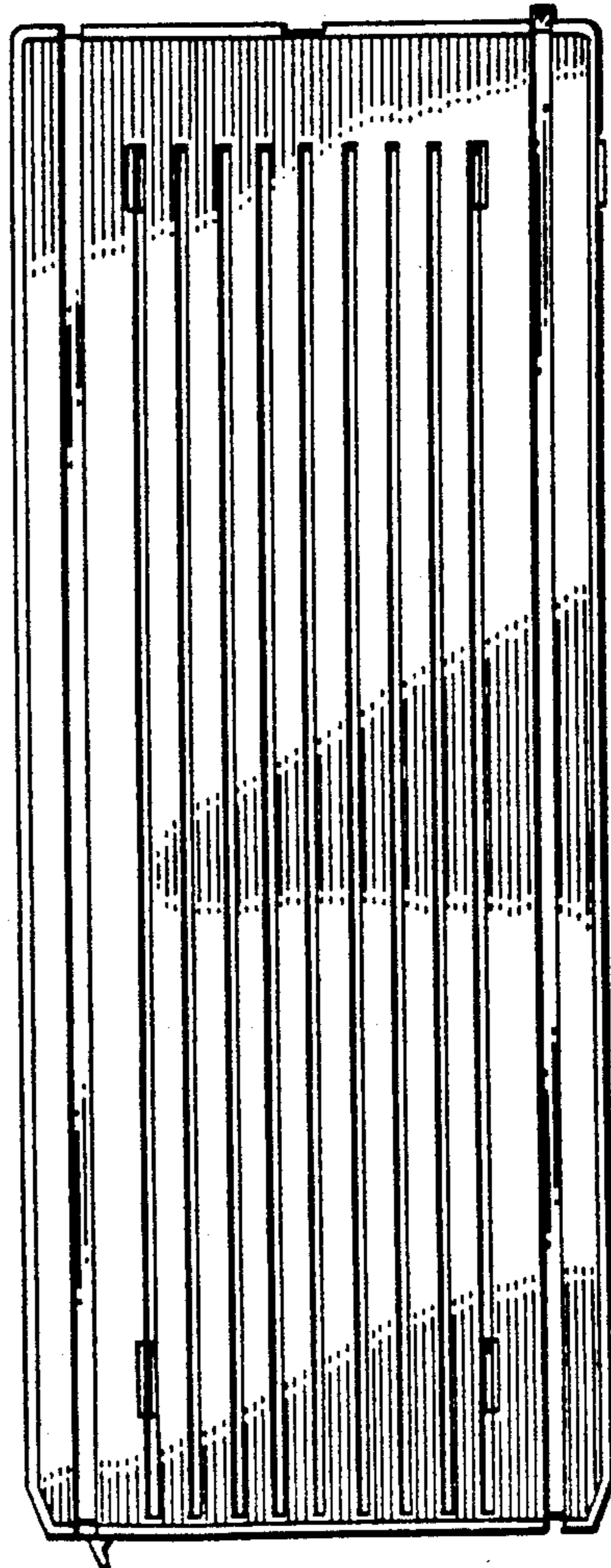


FIG 8

