

[54] HOUSING FOR AN ELECTRICAL CONNECTOR

[75] Inventor: Hitoshi Saito, Gotenba, Japan

[73] Assignee: Yazaki Corporation, Japan

[**] Term: 14 Years

[21] Appl. No.: 172,914

[22] Filed: Mar. 23, 1988

[30] Foreign Application Priority Data

Oct. 9, 1987 [JP]	Japan	62-41085
[52] U.S. Cl.		D13/147
[58] Field of Search	D13/133, 146; 439/344,	
	439/353, 357, 660, 682, 685, 686, 687, 695, 696,	
	712, 713, 586	

[56] References Cited

U.S. PATENT DOCUMENTS

D. 208,551	9/1976	Geis, Jr.	D13/24
D. 276,803	12/1984	Moriai et al.	D13/24
D. 303,787	10/1989	Messenger et al.	D13/24
3,353,143	7/1965	Pauza	D13/24 X
4,721,482	1/1988	Fukuda et al.	439/586

FOREIGN PATENT DOCUMENTS

0274408 9/1964 Netherlands 439/682

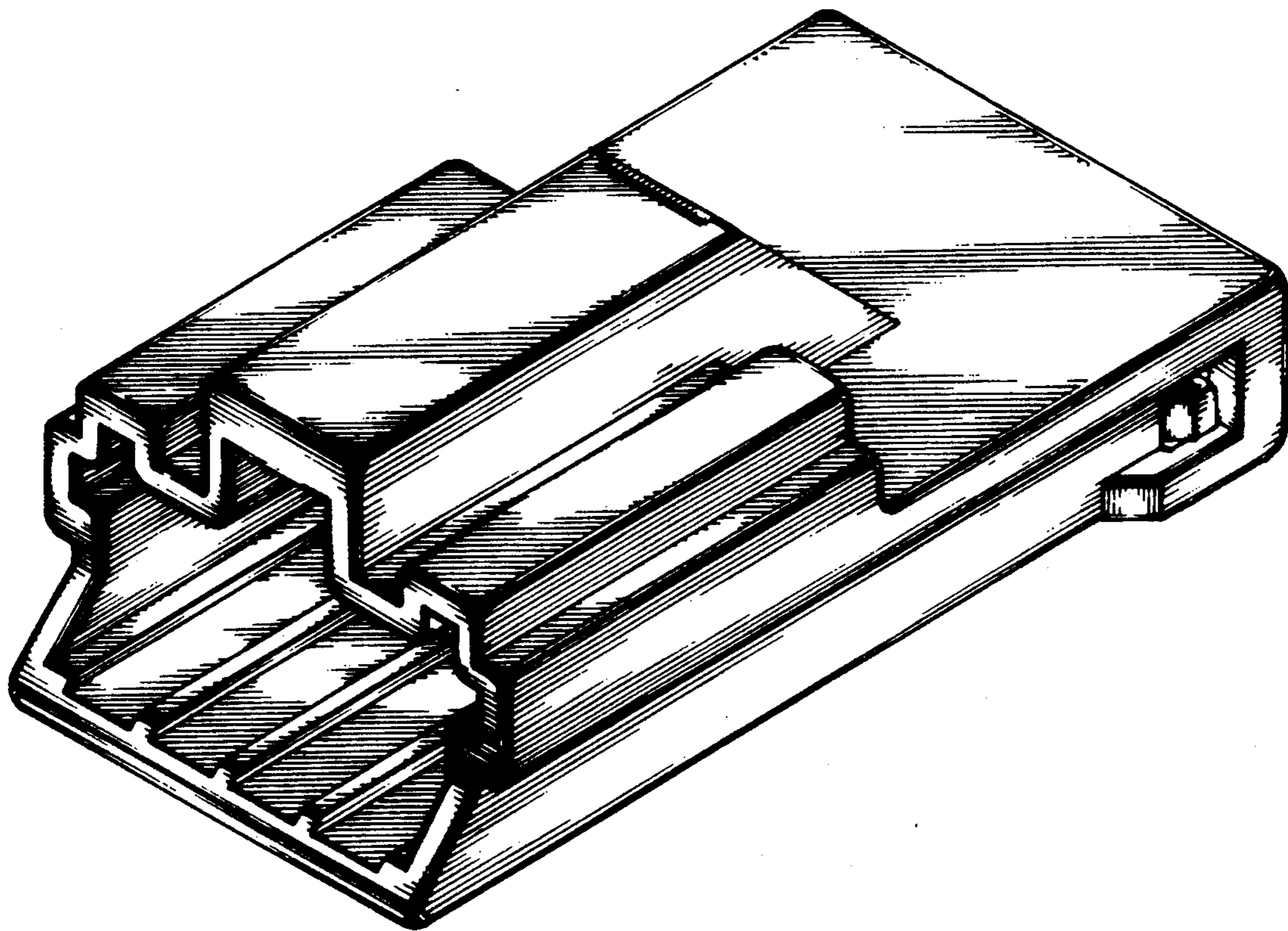
Primary Examiner—Susan J. Lucas
Assistant Examiner—J. Sincavage
Attorney, Agent, or Firm—Jones, Askew & Lunsford

[57] CLAIM

The ornamental design for a housing for an electrical connector, as shown and described.

DESCRIPTION

FIG. 1 is a perspective view of a housing for an electrical connector showing my new design;
 FIG. 2 is a top plan view thereof;
 FIG. 3 is a front elevational view thereof;
 FIG. 4 is a bottom plan view thereof;
 FIG. 5 is a right side elevational view thereof, the left side elevational view being a mirror image;
 FIG. 6 is a rear elevational view thereof;
 FIG. 7 is a right side elevational view of a housing for an electrical connector showing my new design with the stopper plate open, the left side elevational view being a mirror image;
 FIG. 8 is a rear elevational view thereof;
 FIG. 9 is a cross-section view of a housing for an electrical connector showing my new design along line 9—9 of FIG. 3;
 FIG. 10 is a cross-section view thereof along line 10—10 of FIG. 3.



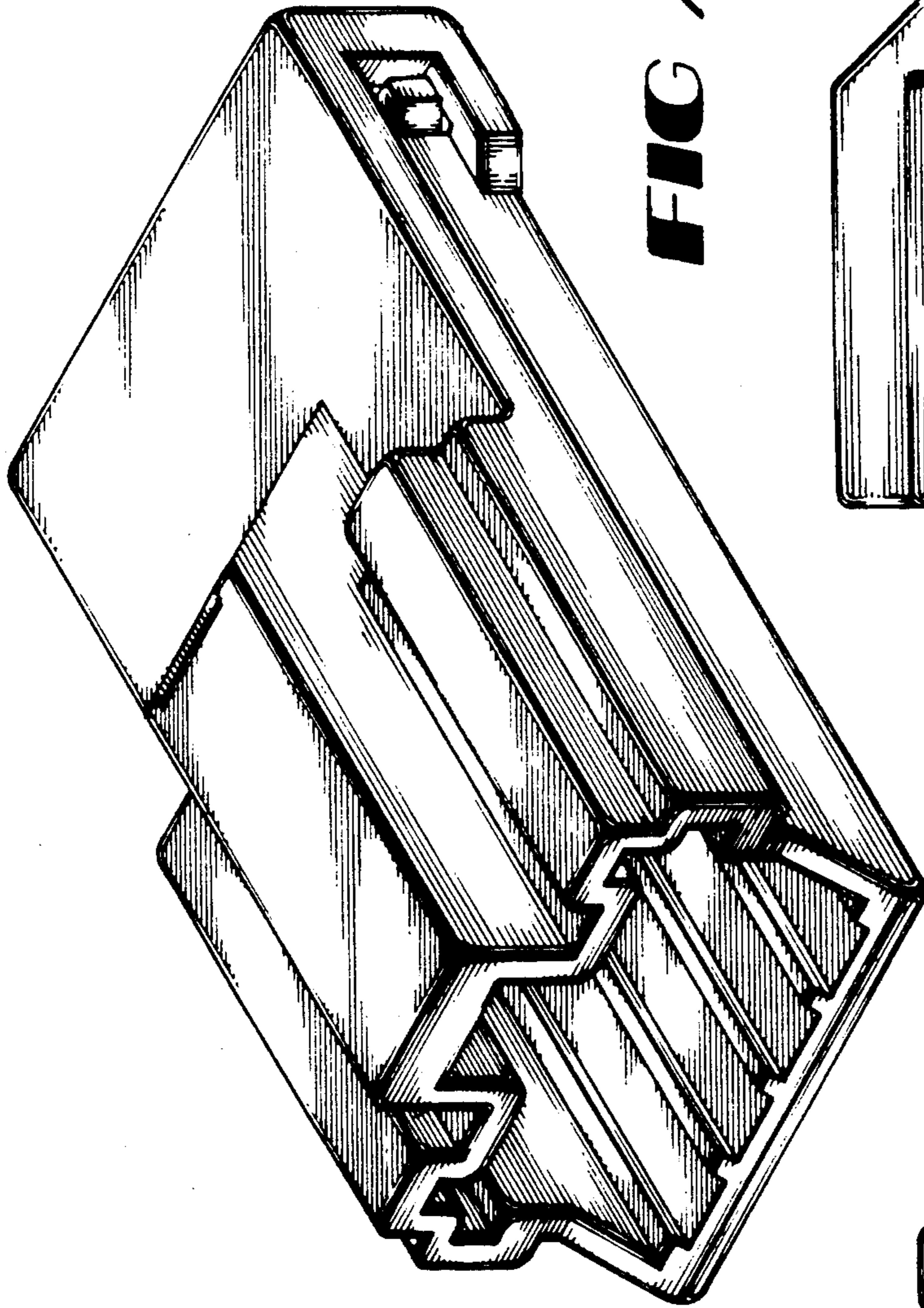


FIG 1

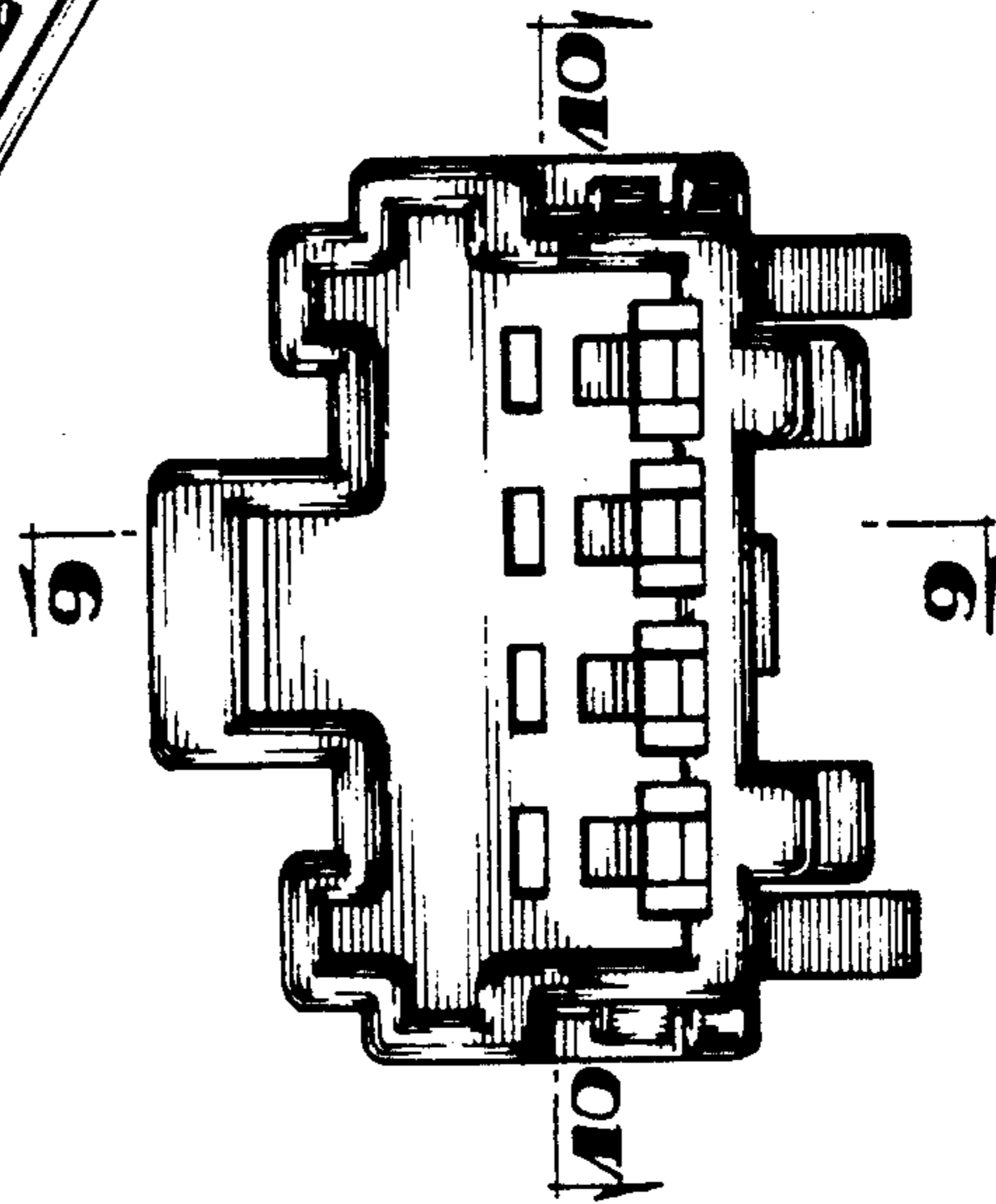


FIG 3

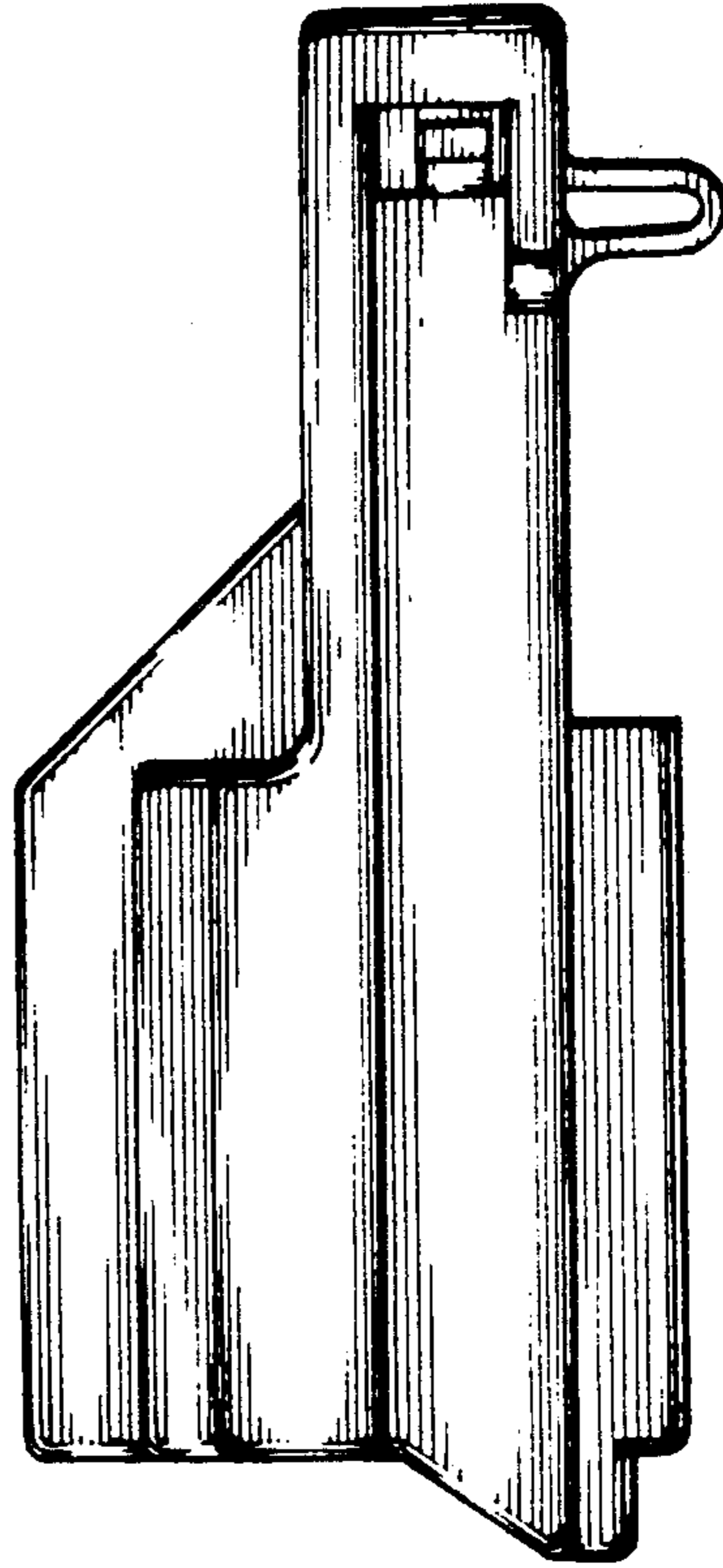


FIG 5

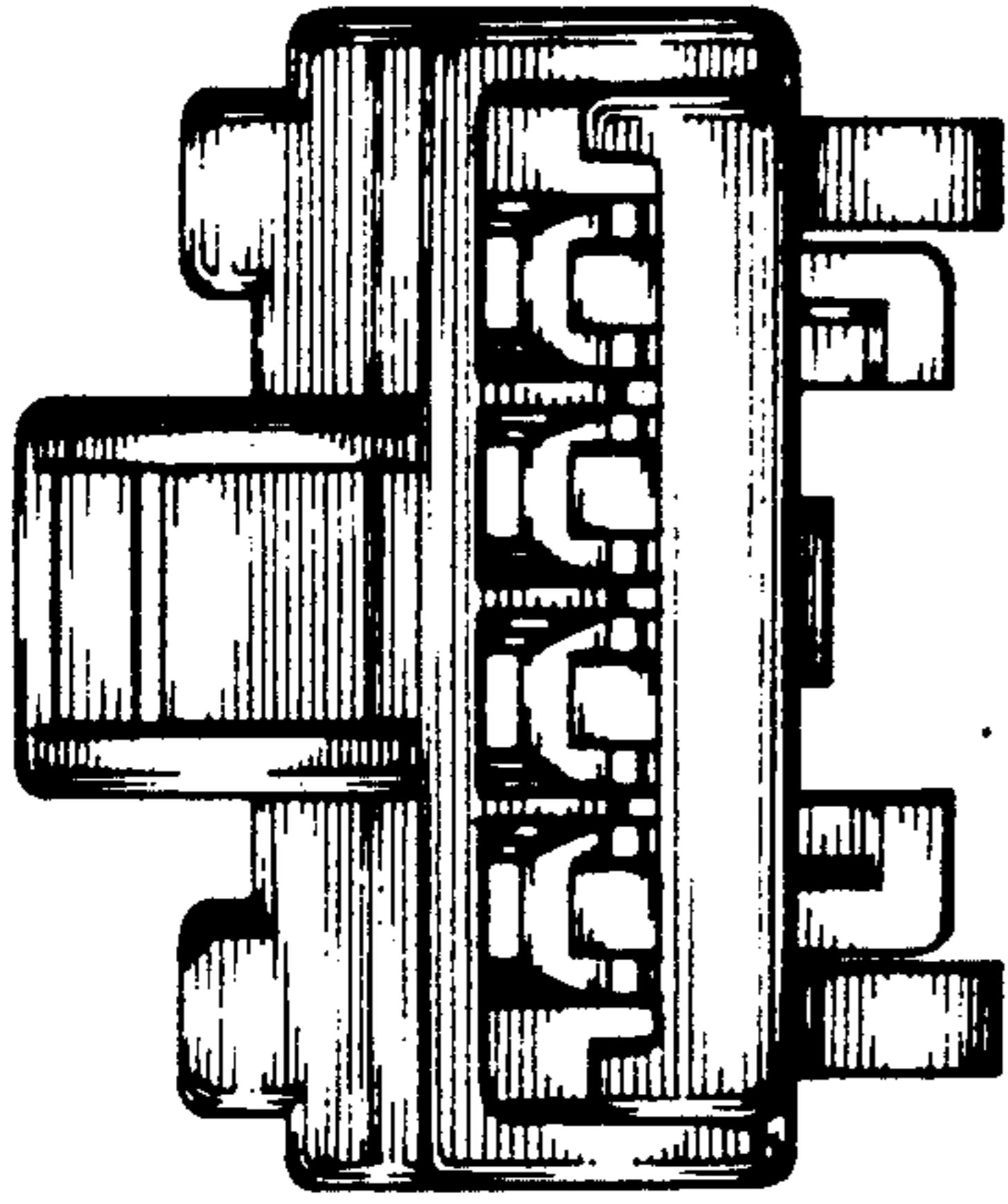


FIG 6

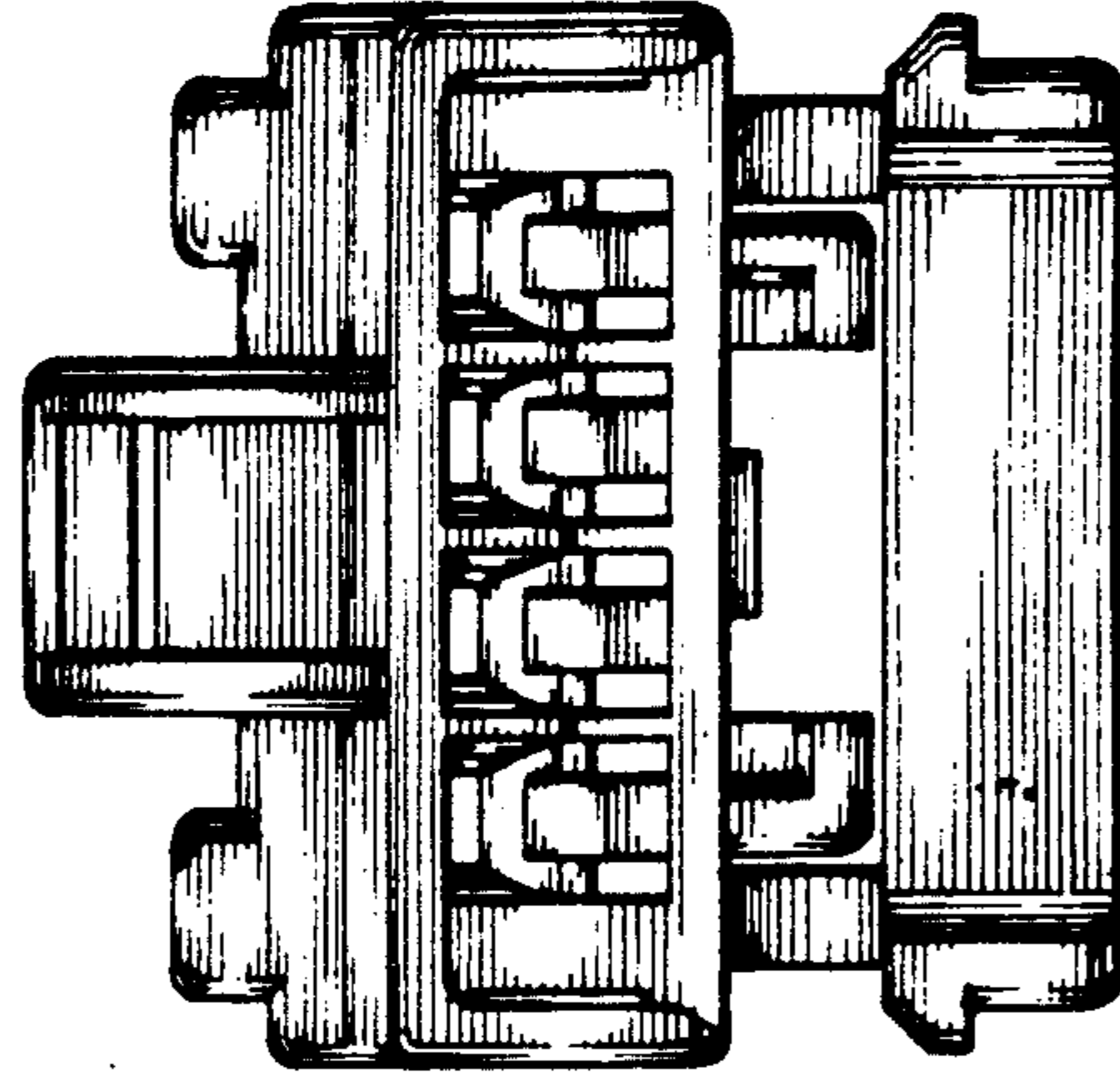


FIG 8

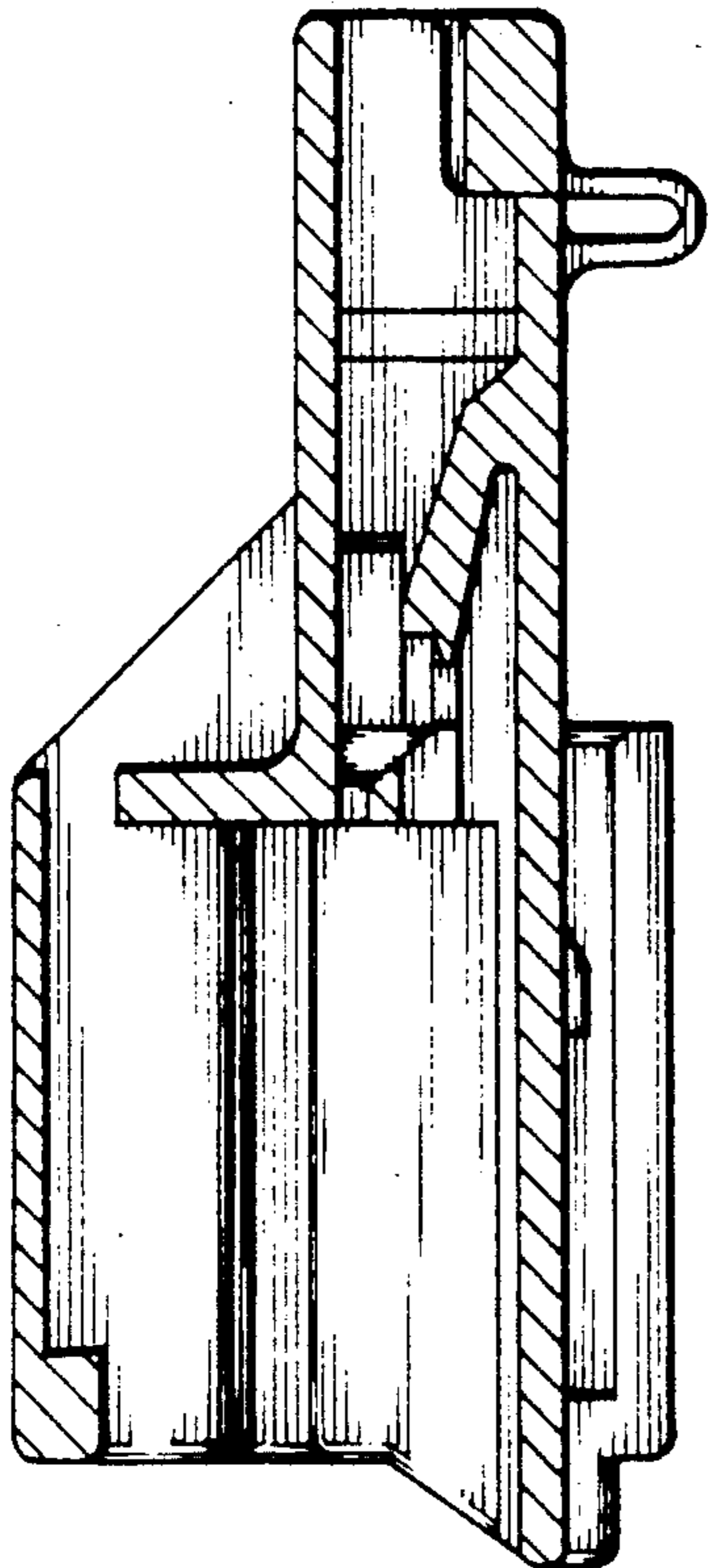


FIG 9

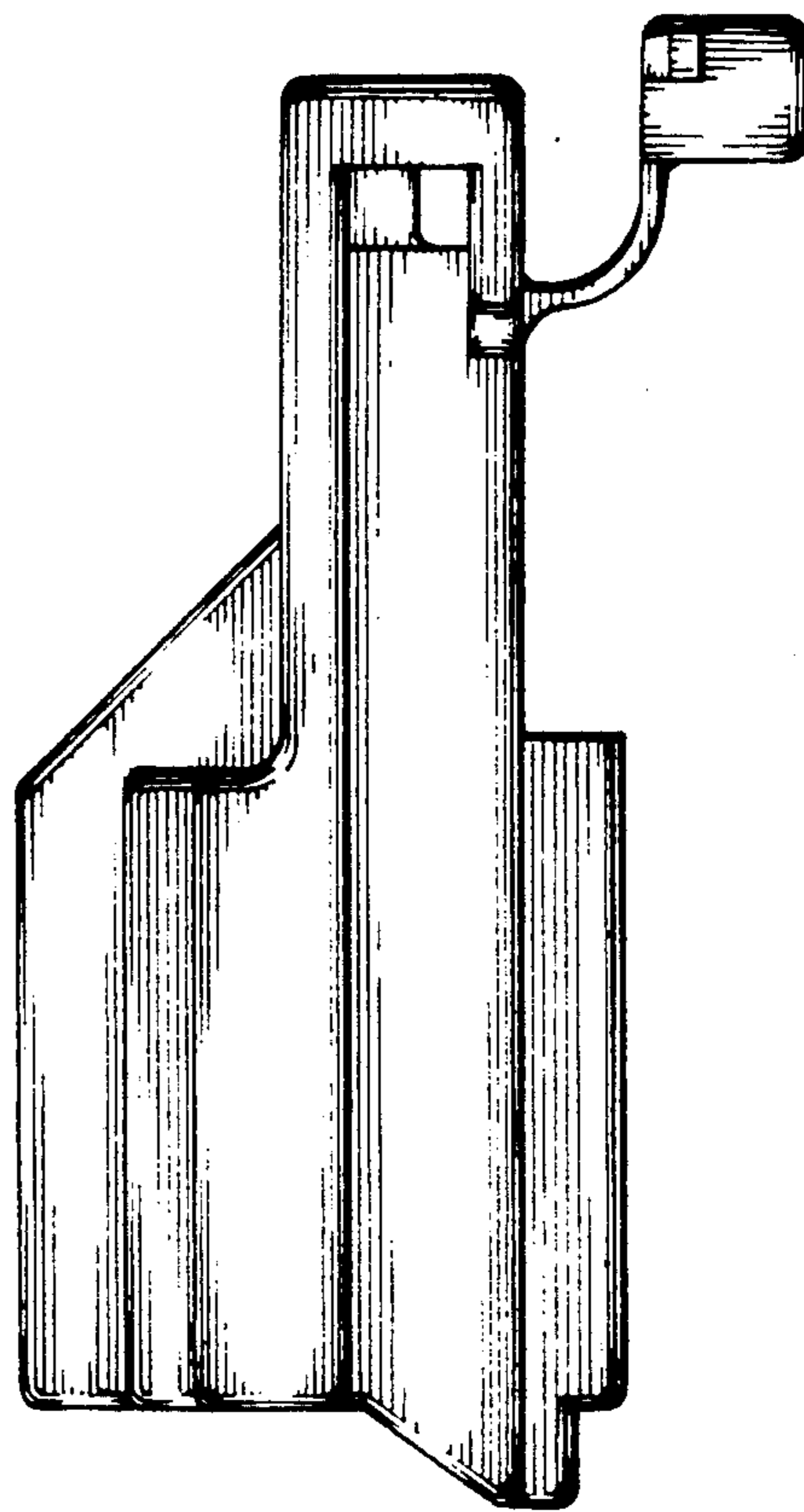


FIG 7

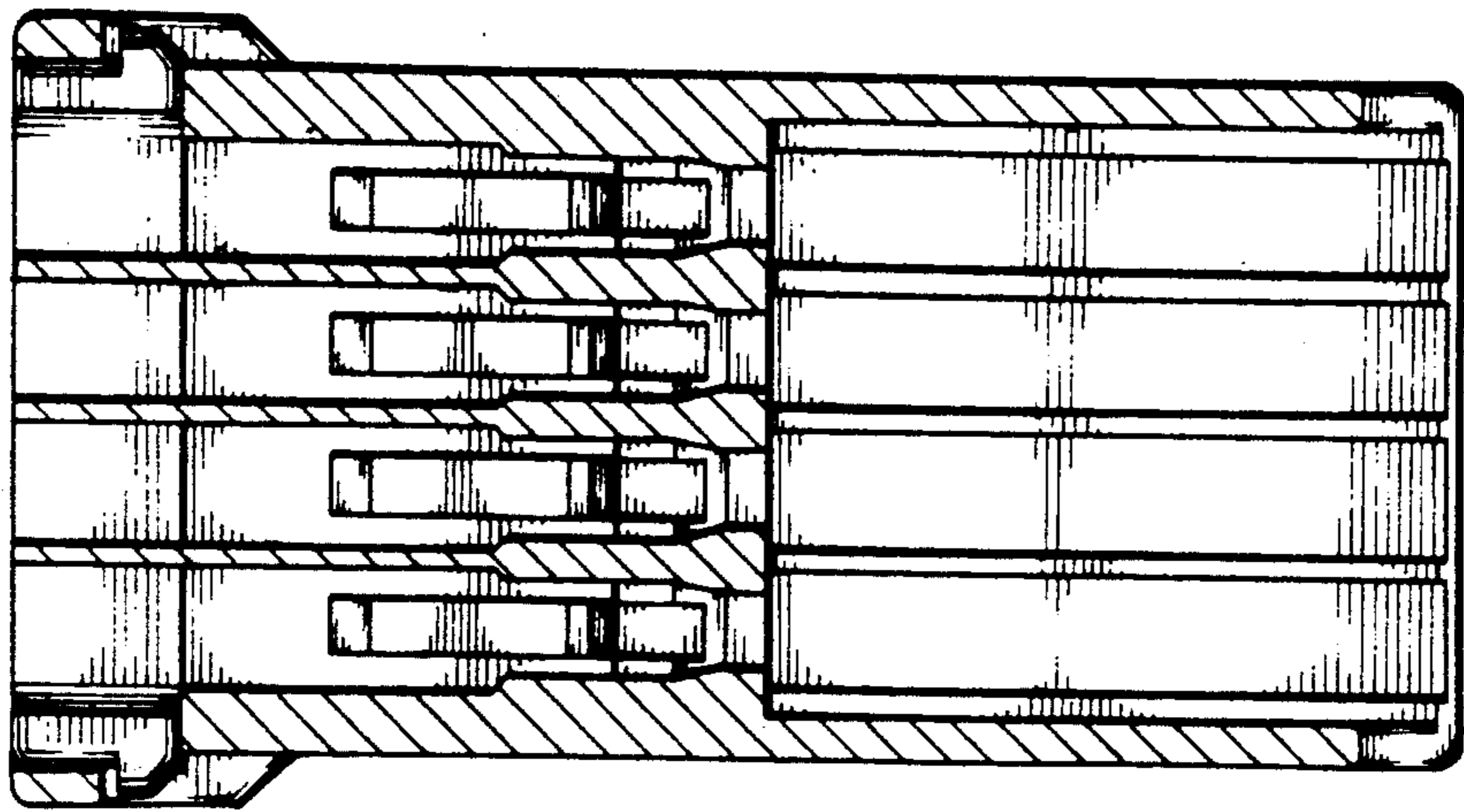


FIG 2

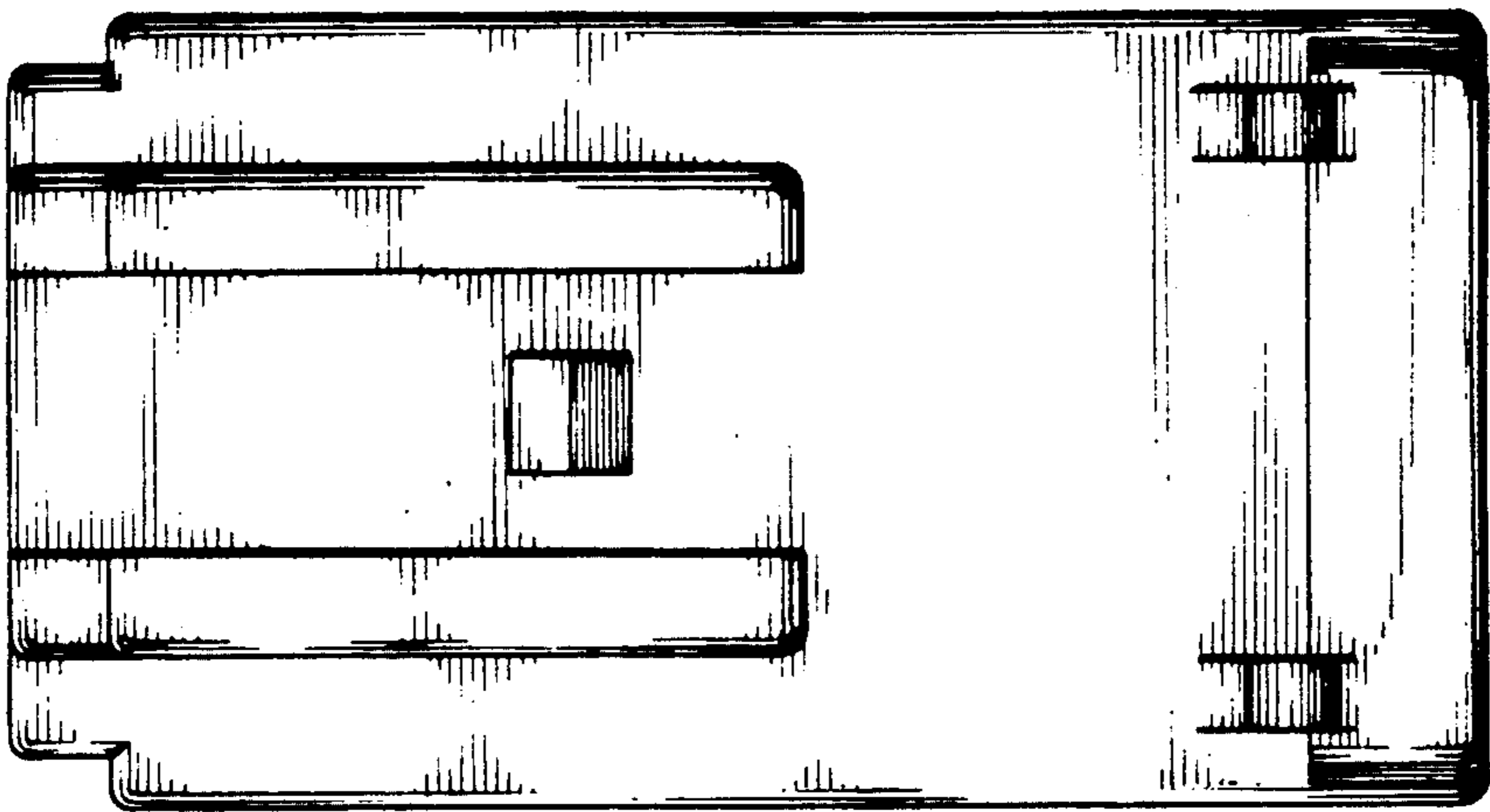


FIG 4



FIG 1