

[54] **HOUSING FOR AN ELECTRICAL CONNECTOR BOARD**

[75] **Inventor: Hideharu Hayashi, Kosai, Japan**  
[73] **Assignee: Yazaki Corporation, Japan**  
[\*\*] **Term: 14 Years**  
[21] **Appl. No.: 172,911**

[22] **Filed: Mar. 23, 1988**  
[52] **U.S. Cl. .... D13/146**  
[58] **Field of Search ..... D13/133, 184, 126, 146, D13/147; 439/715, 716, 721**

[56] **References Cited**  
**U.S. PATENT DOCUMENTS**

D. 221,950 9/1971 Eidinger ..... D13/126  
D. 225,644 12/1972 Beach ..... D13/184  
D. 238,581 1/1976 Lehmann ..... D13/184

D. 288,554 3/1987 Yokomizo et al. .... D13/147  
2,411,014 11/1946 Warnke ..... 439/715

*Primary Examiner—James M. Gandy*  
*Assistant Examiner—Lisa Lichtenstein*  
*Attorney, Agent, or Firm—Jones, Askew & Lunsford*

[57] **CLAIM**

The ornamental design for a housing for an electrical connector board, as shown.

**DESCRIPTION**

FIG. 1 is a front perspective view of a housing for an electrical connector board showing my new design; FIG. 2 is a rear perspective view thereof; FIG. 3 is a top plan view thereof; FIG. 4 is a front elevation view thereof; FIG. 5 is a bottom plan view thereof; FIG. 6 is a right side elevation view thereof; FIG. 7 is a left side elevation view thereof; and FIG. 8 is a rear elevation view thereof.

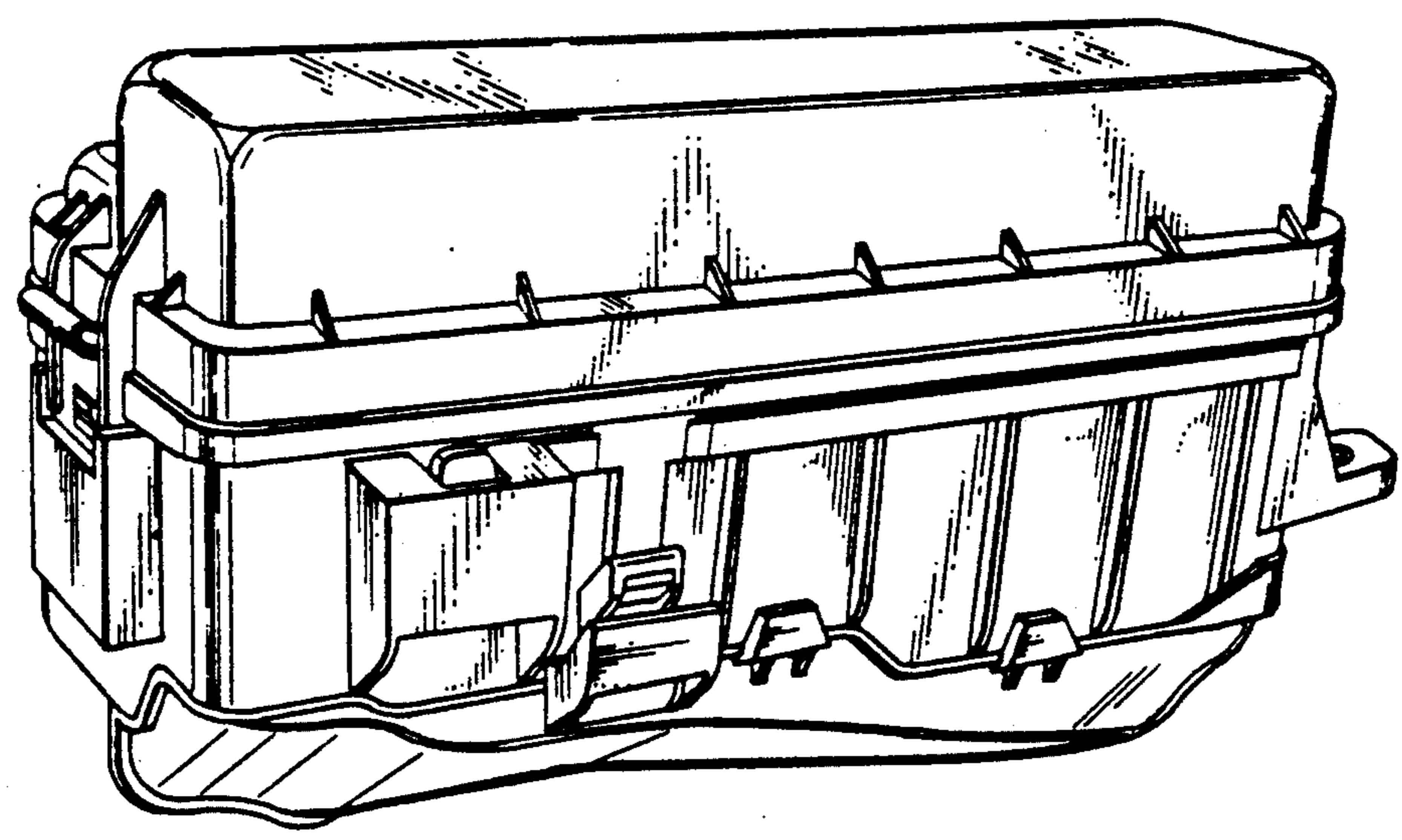


FIG. 1

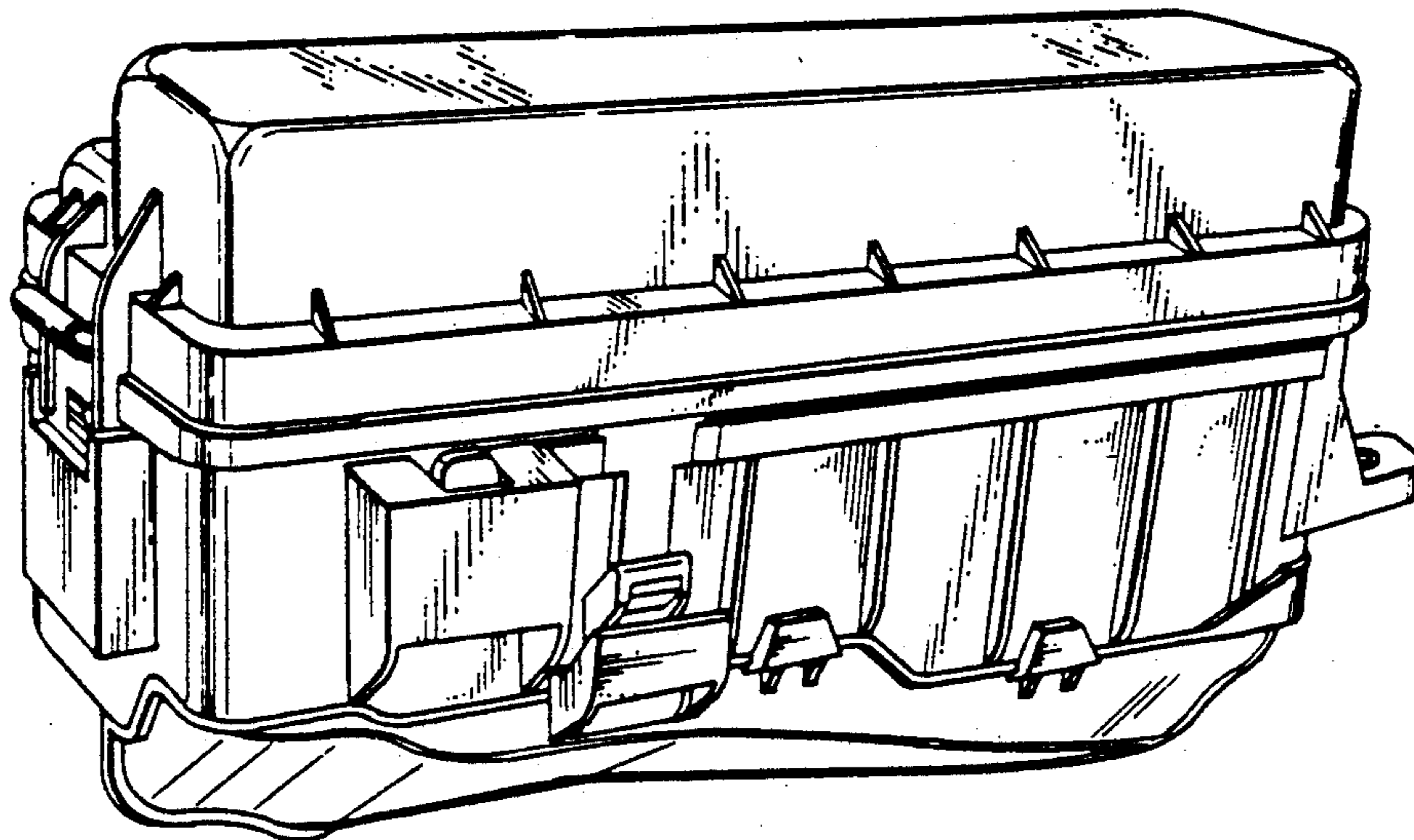


FIG. 2

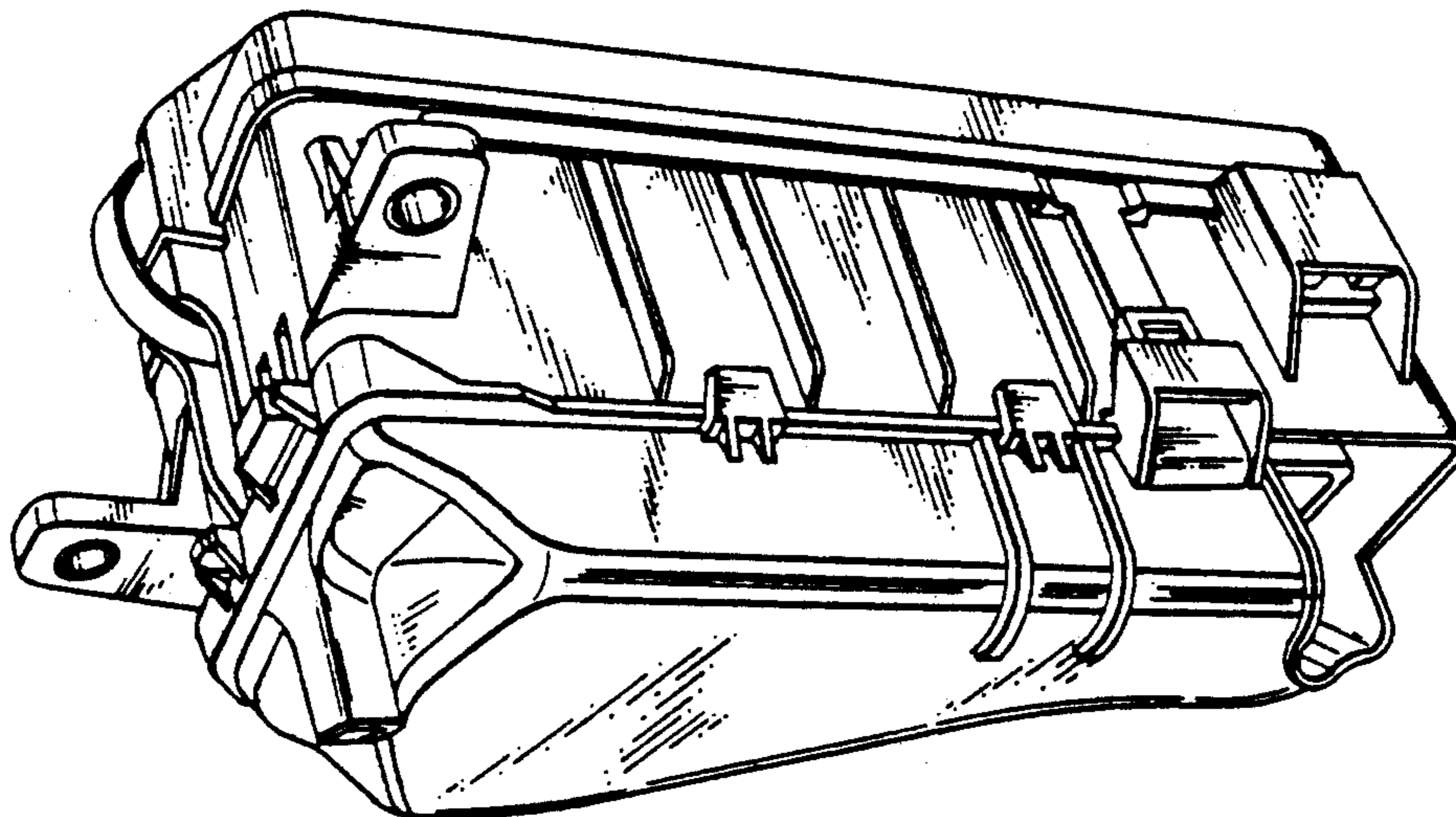


FIG. 3

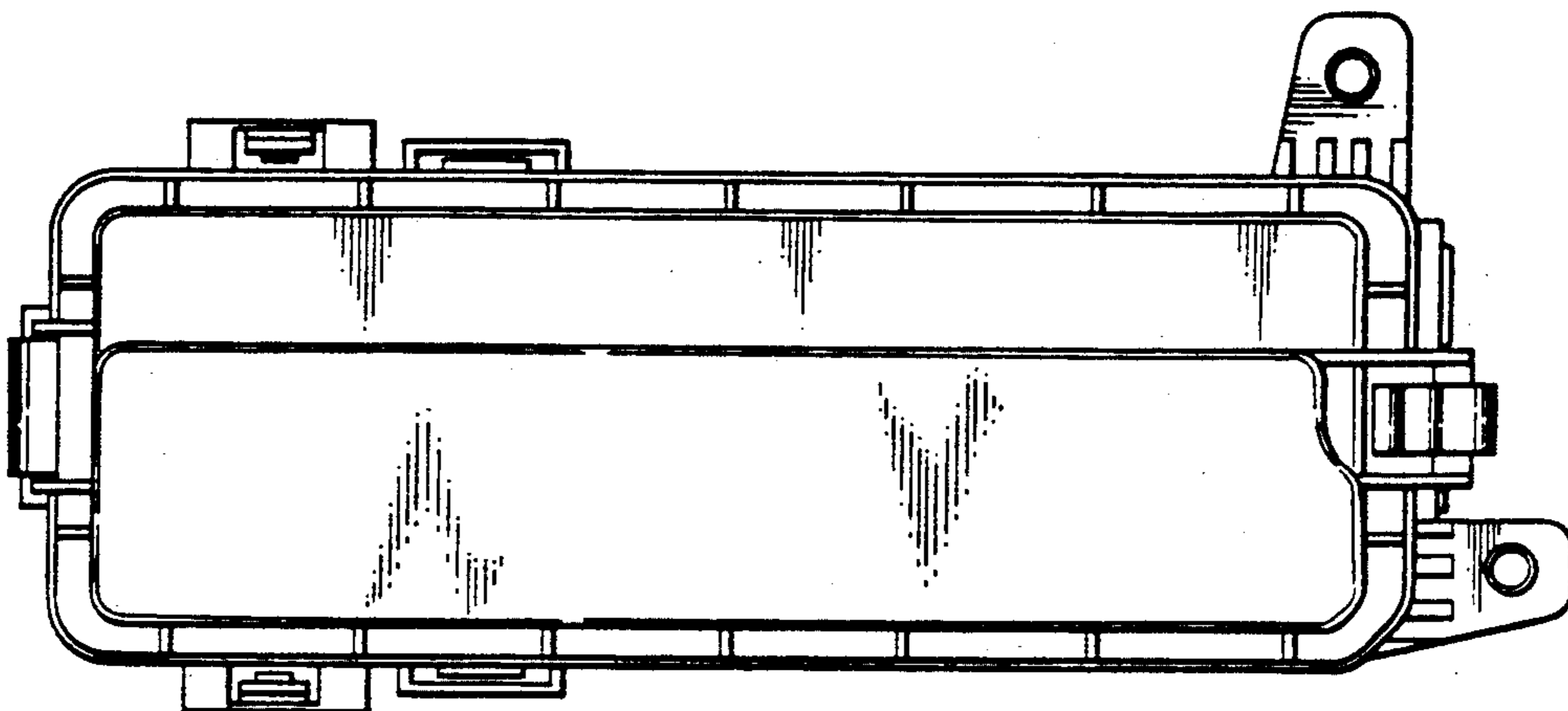


FIG. 4

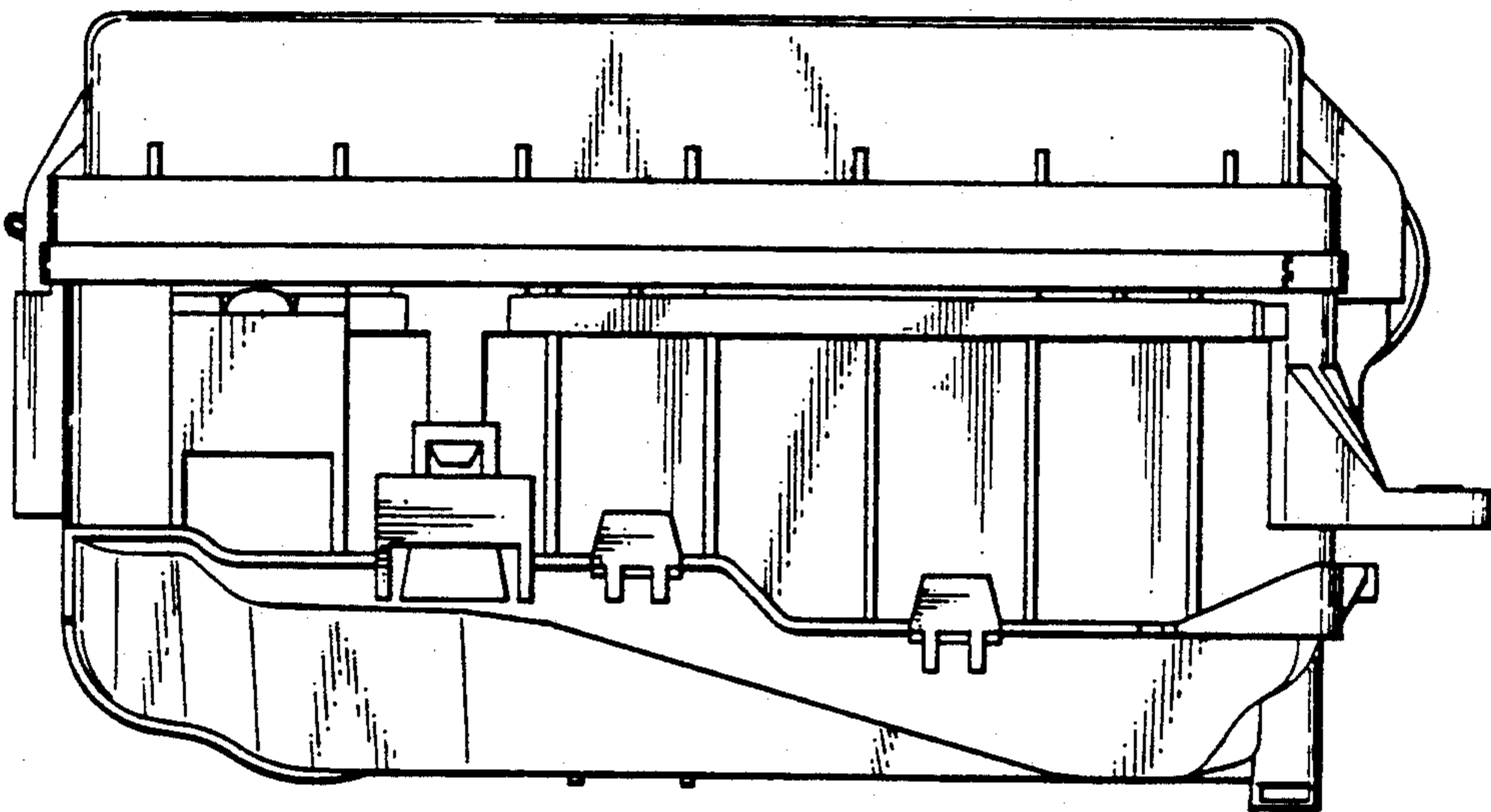


FIG. 5

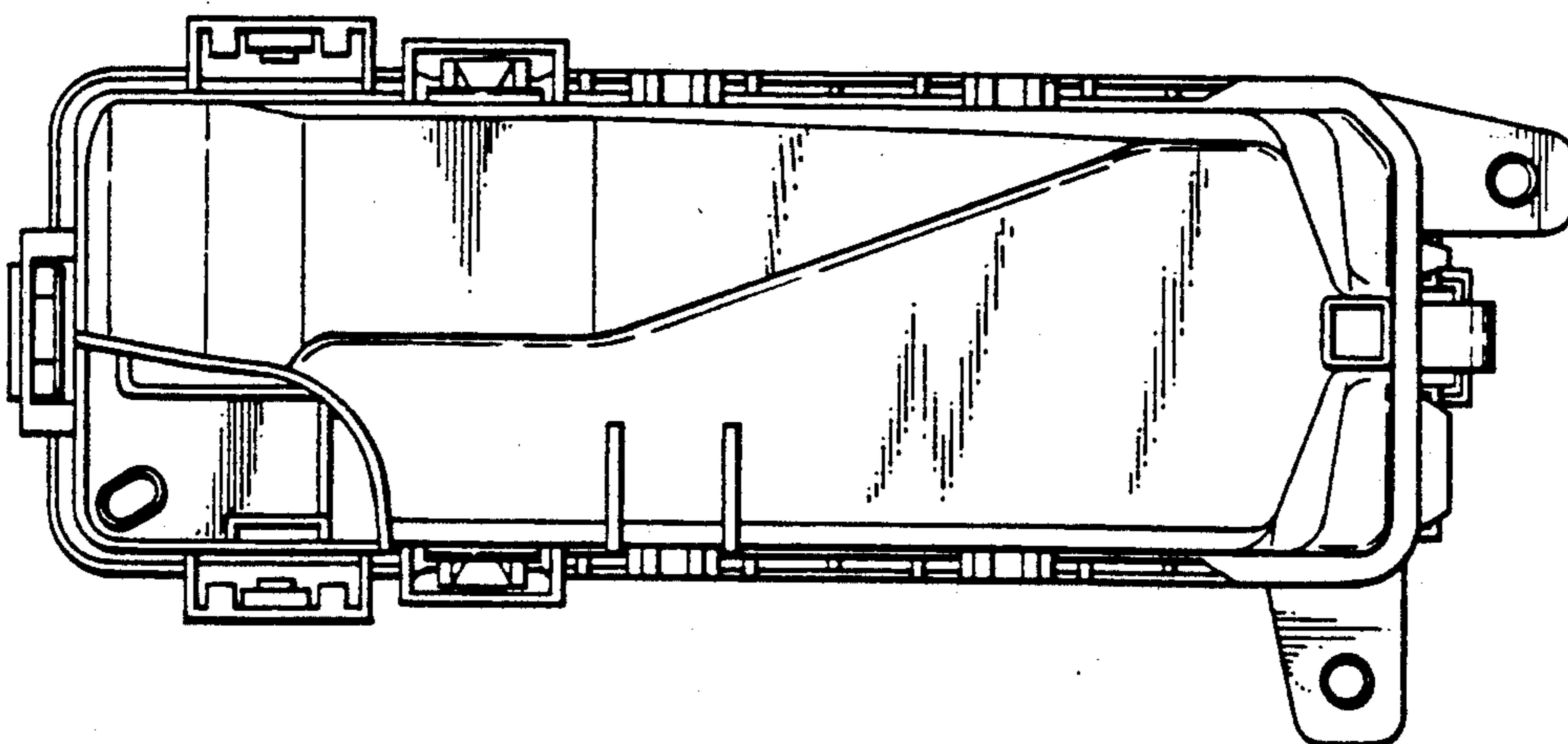


FIG. 6

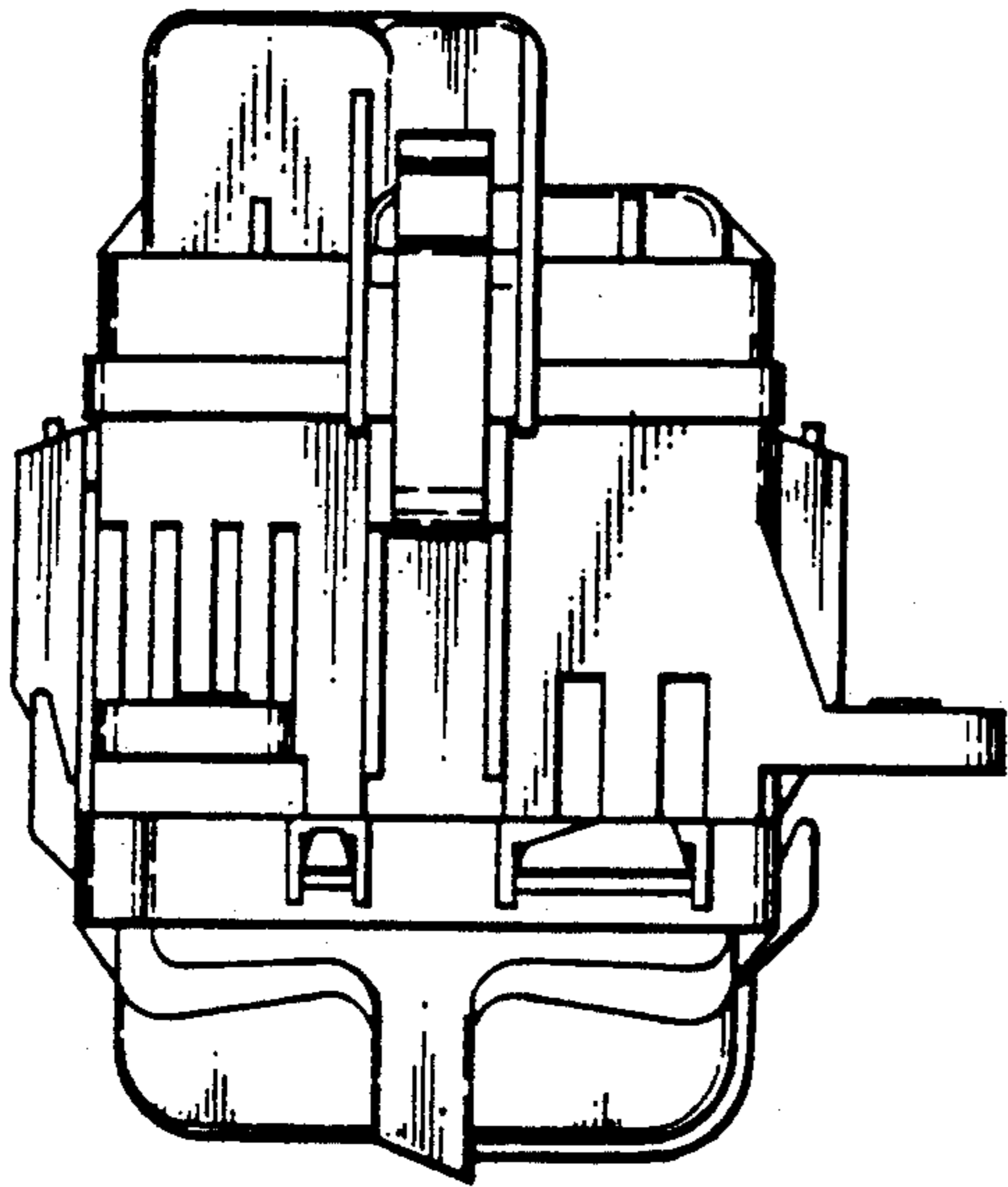


FIG. 7

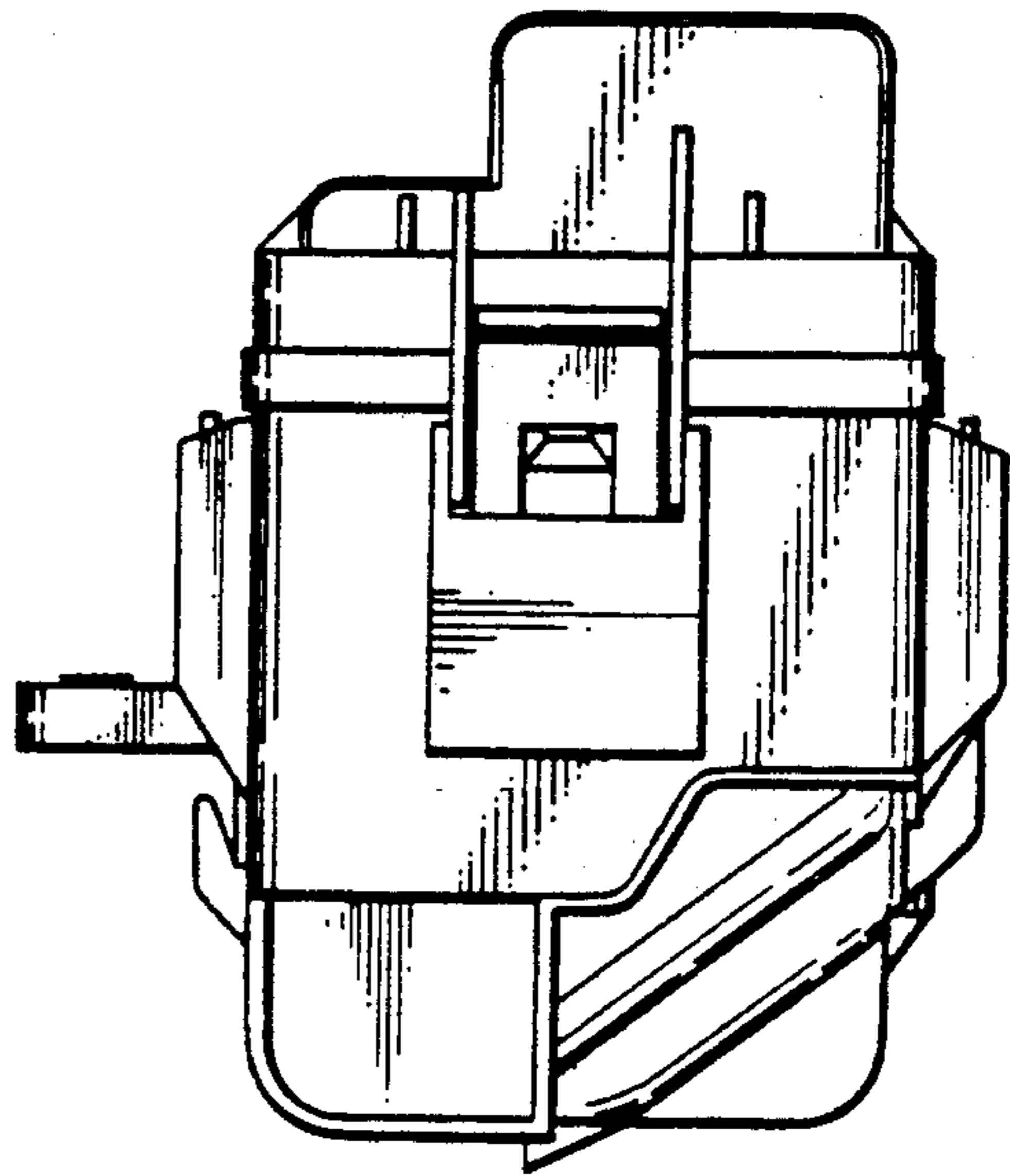


FIG. 8

